

**IN THE UNITED STATES DISTRICT COURT  
FOR THE EASTERN DISTRICT OF NEW YORK**

AMETHYST IP, LLC	§	
	§	
Plaintiff,	§	Civil Action No. _____
	§	
v.	§	<b>JURY TRIAL DEMANDED</b>
	§	
LOGITECH INC.	§	
	§	
Defendant.	§	
	§	

**COMPLAINT**

Plaintiff Amethyst IP, LLC (“Amethyst”), for its Complaint against Defendant Logitech Inc. (“Logitech”) hereby alleges as follows:

**The Parties**

1. Plaintiff Amethyst is a New York limited liability company with its principal place of business at 1225 Franklin Avenue, Suite 325, Garden City, New York 11530.
2. On information and belief, Logitech is a California Corporation with a place of business at 7600 Gateway Blvd, Newark California 94560

**Nature of the Action**

3. This is a civil action for the infringement of United States Patent No. 7,414,833 (“the ’833 patent”) (attached as Exhibit A).

### **Jurisdiction and Venue**

4. This Court has jurisdiction over the subject matter of this action pursuant to 28 U.S.C. §§ 1331 and 1338(a) because this action arises under the patent laws of the United States, including 35 U.S.C. § 271 et seq.

5. This Court has personal jurisdiction over Logitech because, among other things, Logitech has committed, aided, abetted, contributed to, and/or participated in the commission of patent infringement in this District and elsewhere that led to foreseeable harm and injury to Amethyst.

6. Logitech has also established minimum contacts within the forum such that the exercise of jurisdiction over Logitech will not offend traditional notions of fair play and substantial justice. Moreover, Logitech has placed products that practice the claimed inventions of the '833 patent into the stream of commerce with the reasonable expectation and/or knowledge that purchasers and users of such products were located within this District. And Logitech has sold, advertised, marketed, and distributed products in this District that practice the claimed inventions of the '833 patent.

7. Venue is proper in this judicial district pursuant to 28 U.S.C. §§ 1391 and 1400(b).

### **The '833 patent**

8. On August 19, 2008, the '833 patent, titled "Portable Computer Case" was duly and legally issued by the United States Patent and Trademark Office. Amethyst is the assignee of all rights, title, and interest in the '833 patent, and it possesses all rights to sue and recover for any current or past infringement of the '833 patent.

## Count I

### **Infringement of U.S. Patent No. 7,414,833**

9. Paragraphs 1-8 are incorporated by reference as if fully restated herein.

10. Logitech has infringed, and continues to infringe, the '833 patent under 35 U.S.C. § 271, either literally and/or under the doctrine of equivalents, by making, using, offering for sale, selling, and/or importing into the United States products that contain a computer case system as claimed in the '833 patent (“'833 Infringing Products”), including at least the Keyboard Folio Mini.

11. On information and belief, Logitech has also indirectly infringed, and continues to indirectly infringe, the '833 patent. On information and belief, Logitech's customers directly infringe the '833 patent by making, using, selling, and/or offering for sale '833 Infringing Products in the United States. On information and belief, Logitech actively, knowingly, and intentionally (from at least the date of the service of this Complaint) induces infringement of the '833 patent by making, using, offering for sale, and selling '833 Infringing Products, as well as by contracting with others to use, market, sell, and offer to sell '833 Infringing Products.

12. On information and belief, Logitech has also contributed to the infringement by others (e.g., Logitech's customers and the users of '833 Infringing Products), and continues to contribute to infringement by others, by selling, offering to sell, or importing '833 Infringing Products into the United States, knowing (from at least the date of the service of this Complaint) that those systems constitute a material part of the inventions of '833 Infringing Products, knowing (from at least the date of the service of this Complaint) those systems to be especially made or adapted to infringe the '833 Infringing Products, and knowing (from at least the date of

the service of this Complaint) that those systems are not staple articles or commodities of commerce suitable for substantial noninfringing use.

13. Amethyst has been and continues to be damaged by Logitech's infringement of the '833 patent.

### **Prayer For Relief**

Wherefore, Plaintiff Amethyst respectfully requests that this Court enter judgment against Logitech as follows:

- a) adjudging that Logitech has infringed, induced infringement of, and/or contributorily infringed, literally or under the doctrine of equivalents, U.S. Patent No. 7,414,833;
- b) adjudging that Logitech's infringement has been willful;
- c) awarding Amethyst the damages to which it is entitled under 35 U.S.C. § 284 for Logitech's past infringement and any continuing or future infringement up until the date Logitech is finally and permanently enjoined from further infringement, including both compensatory damages and enhanced/treble damages for willful infringement, and ordering a full accounting of same;
- d) finding that this case is exceptional under 35 U.S.C. § 285;
- e) ordering injunctive relief under 35 U.S.C. § 283;
- f) awarding Amethyst pre-judgment and post-judgment interest on its damages; and
- g) awarding Amethyst such other and further relief in law or equity that the Court deems just and proper.

**Demand For Jury Trial**

Amethyst hereby demands a trial by jury on all claims and issues so triable.

DATED: May 20, 2013

Respectfully submitted,

*/s/ Mark I. Koffsky*

\_\_\_\_\_  
Mark I. Koffsky

MARK I. KOFFSKY, P.C.

1225 Franklin Avenue, Suite 325

Garden City, New York 11530

Phone: (516) 279-5595

Fax: (516) 279-5596

[mikecf@koffsky.com](mailto:mikecf@koffsky.com)

*Counsel for Plaintiff*

# **Exhibit A**



US007414833B2

(12) **United States Patent**  
**Kittayapong**

(10) **Patent No.:** **US 7,414,833 B2**

(45) **Date of Patent:** **Aug. 19, 2008**

(54) **PORTABLE COMPUTER CASE**  
(76) Inventor: **Rungrith Kittayapong**, 0505 Hasbrouck  
Apartment, Ithaca, NY (US) 14850

(\* ) Notice: Subject to any disclaimer, the term of this  
patent is extended or adjusted under 35  
U.S.C. 154(b) by 269 days.

(21) Appl. No.: **11/490,958**

(22) Filed: **Jul. 21, 2006**

(65) **Prior Publication Data**  
US 2008/0017541 A1 Jan. 24, 2008

(51) **Int. Cl.**  
**G06F 1/16** (2006.01)

(52) **U.S. Cl.** ..... **361/681**; 206/320; 190/110;  
345/426; 400/693

(58) **Field of Classification Search** ..... 206/320,  
206/521, 760; 224/575, 625; 190/1, 107,  
190/110; 345/426, 462.43; 244/2, 76 R;  
400/613, 693; 361/679-687, 724-727  
See application file for complete search history.

(56) **References Cited**

U.S. PATENT DOCUMENTS

5,377,794 A	1/1995	Book	190/1
D360,075 S	7/1995	Cross et al.	D3/276
5,445,266 A	8/1995	Prete et al.	206/320
5,494,157 A	2/1996	Golenz et al.	206/370
5,524,754 A	6/1996	Hollingsworth	206/320
5,607,054 A	3/1997	Hollingsworth	206/320
5,775,497 A	7/1998	Krulik	206/320
5,887,723 A	3/1999	Myles et al.	206/760
5,938,096 A	8/1999	Sauer et al.	224/625
D414,751 S	10/1999	Yogalingam	D14/106

D428,255 S	7/2000	Kandalepas	D3/301
6,109,434 A	8/2000	Howard, Jr.	206/320
6,116,418 A	9/2000	Sadow	206/320
6,149,001 A	11/2000	Akins	206/320
6,269,948 B1	8/2001	Jackson	206/320
6,354,477 B1	3/2002	Trummer	224/575
D462,518 S	9/2002	Truffier-Blanc et al.	D3/273
6,763,942 B1	7/2004	Yeh	206/320
6,896,134 B2	5/2005	Russell et al.	206/320
7,251,127 B2*	7/2007	Ghosh et al.	361/683
2003/0223119 A1	12/2003	Heiman	359/610
2004/0011616 A1	1/2004	Rasmussen	190/107
2004/0217027 A1	11/2004	Harris et al.	206/320
2006/0037987 A1	2/2006	Lin	224/646

\* cited by examiner

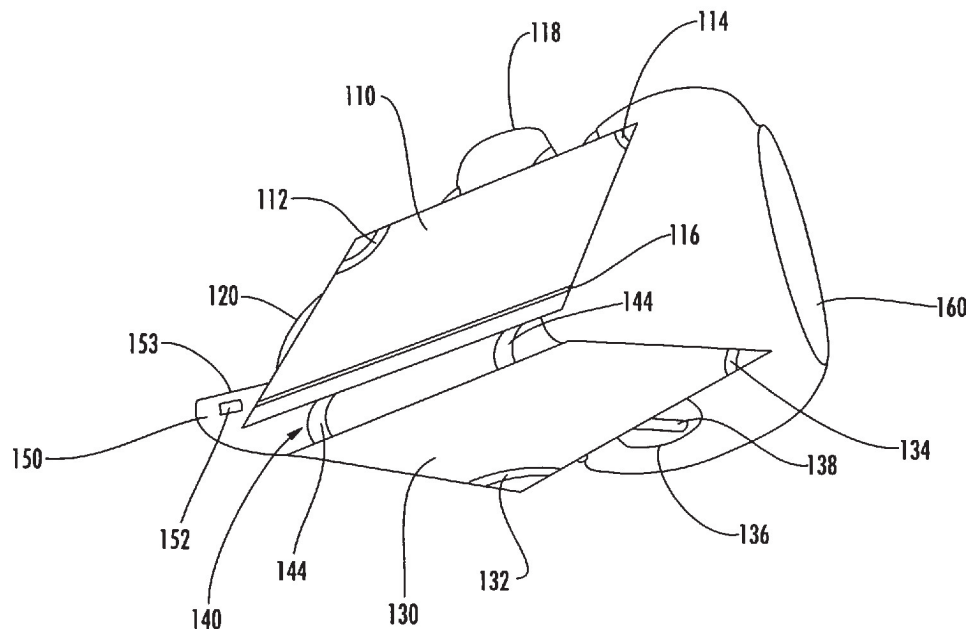
*Primary Examiner*—Hung V Duong

(74) *Attorney, Agent, or Firm*—Joseph M. Maraia, Esq.;  
Foley & Lardner LLP

(57) **ABSTRACT**

Cases and methods of use of a laptop computer are provided such that the laptop computer need not be removed from the case, enabling use of the laptop computer keyboard, display and ports located on a back edge of the laptop computer while the laptop computer remains in the case. According to example of the invention, a case for a laptop computer is provided having first and second portions formed of rigid material. The first portion is adapted to be secured to a display portion of the laptop computer, and the second portion adapted to be secured to a keyboard portion of the laptop computer. Opening and closing the laptop computer is thereby permitted. A covering flap is also provided to be selectively securable across the connective portion. Another embodiment of the invention is usable with laptop computers having a multi-axis rotation display portion.

**23 Claims, 5 Drawing Sheets**



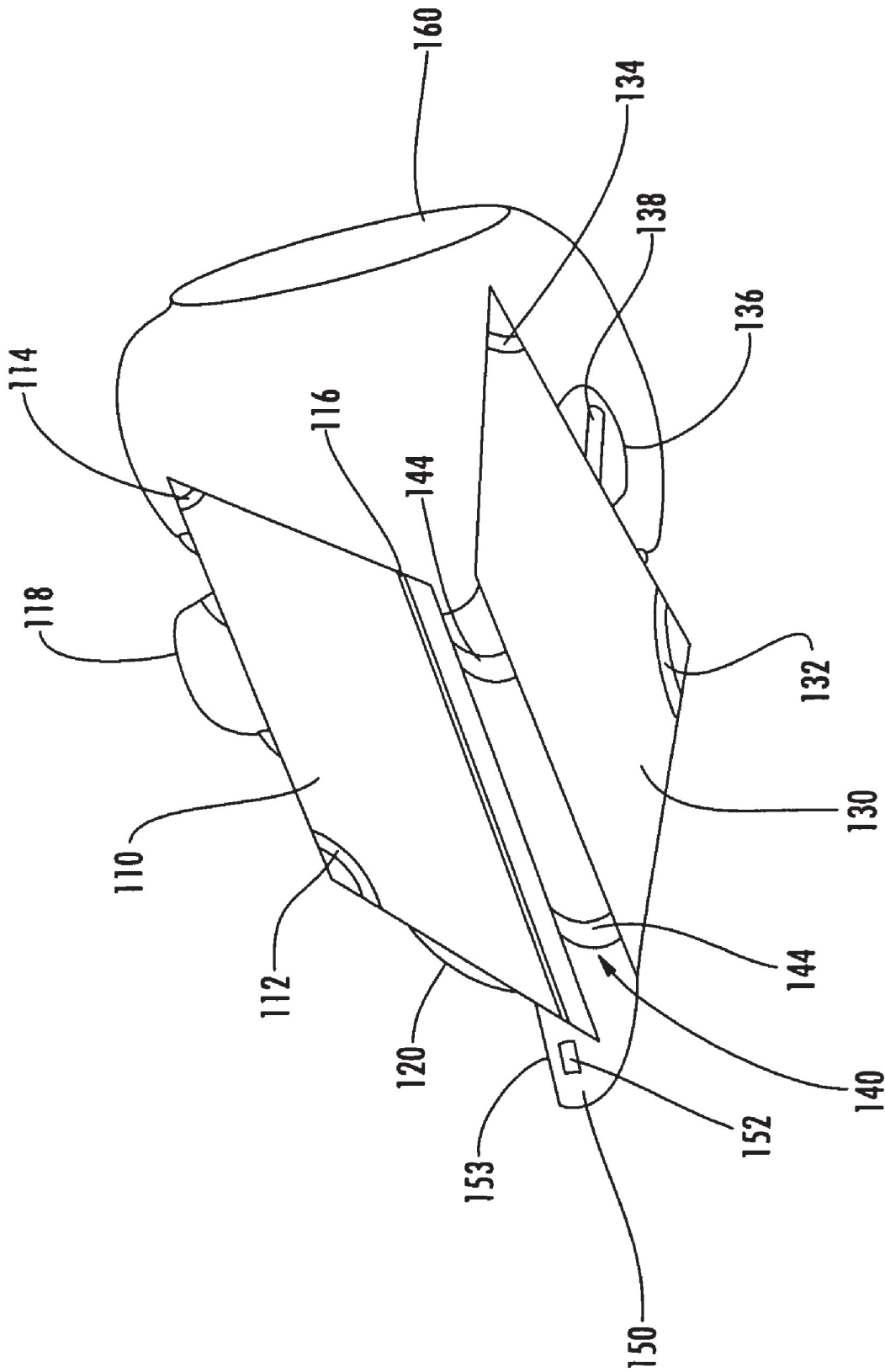
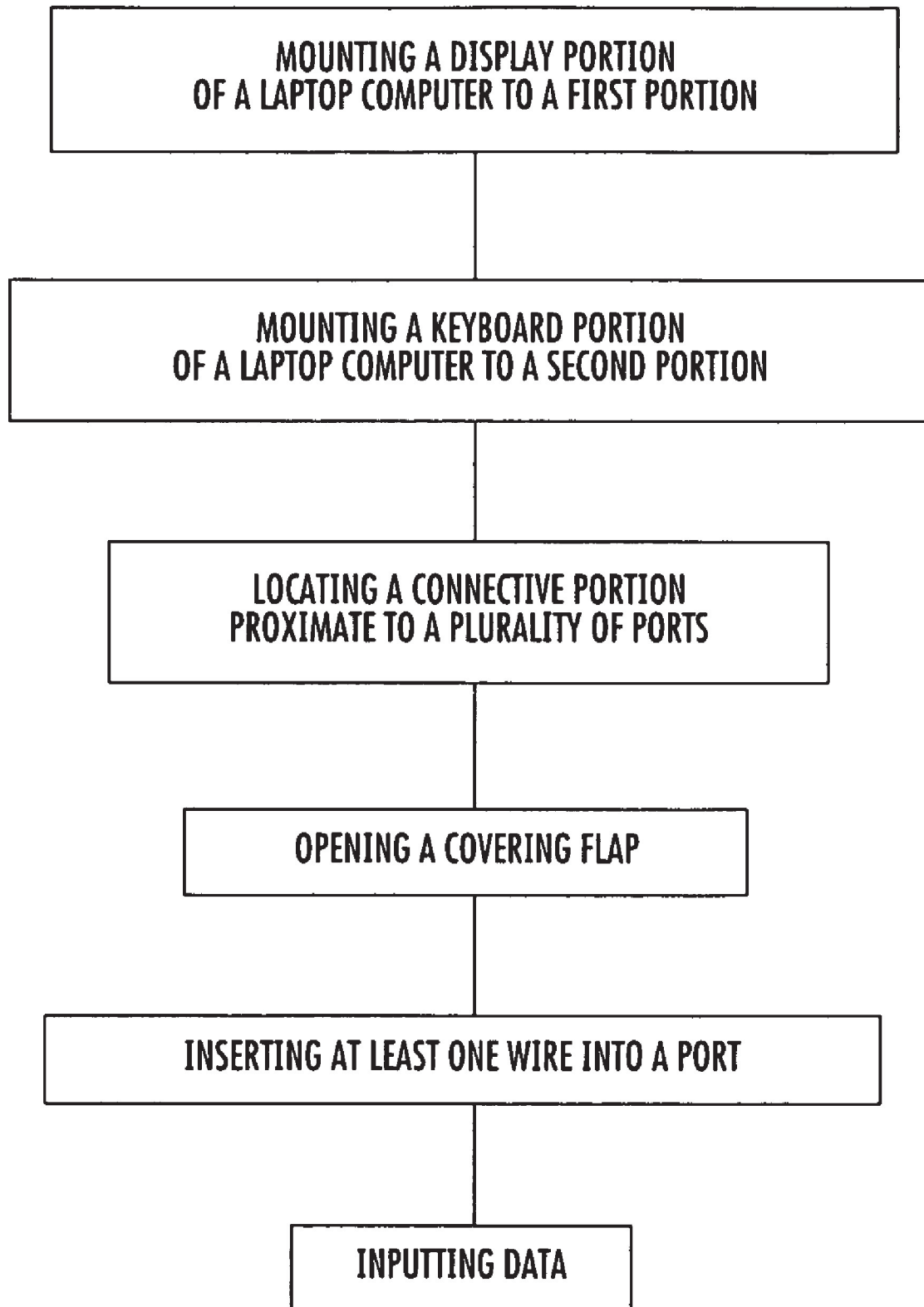


FIG. 1





**FIG. 2**

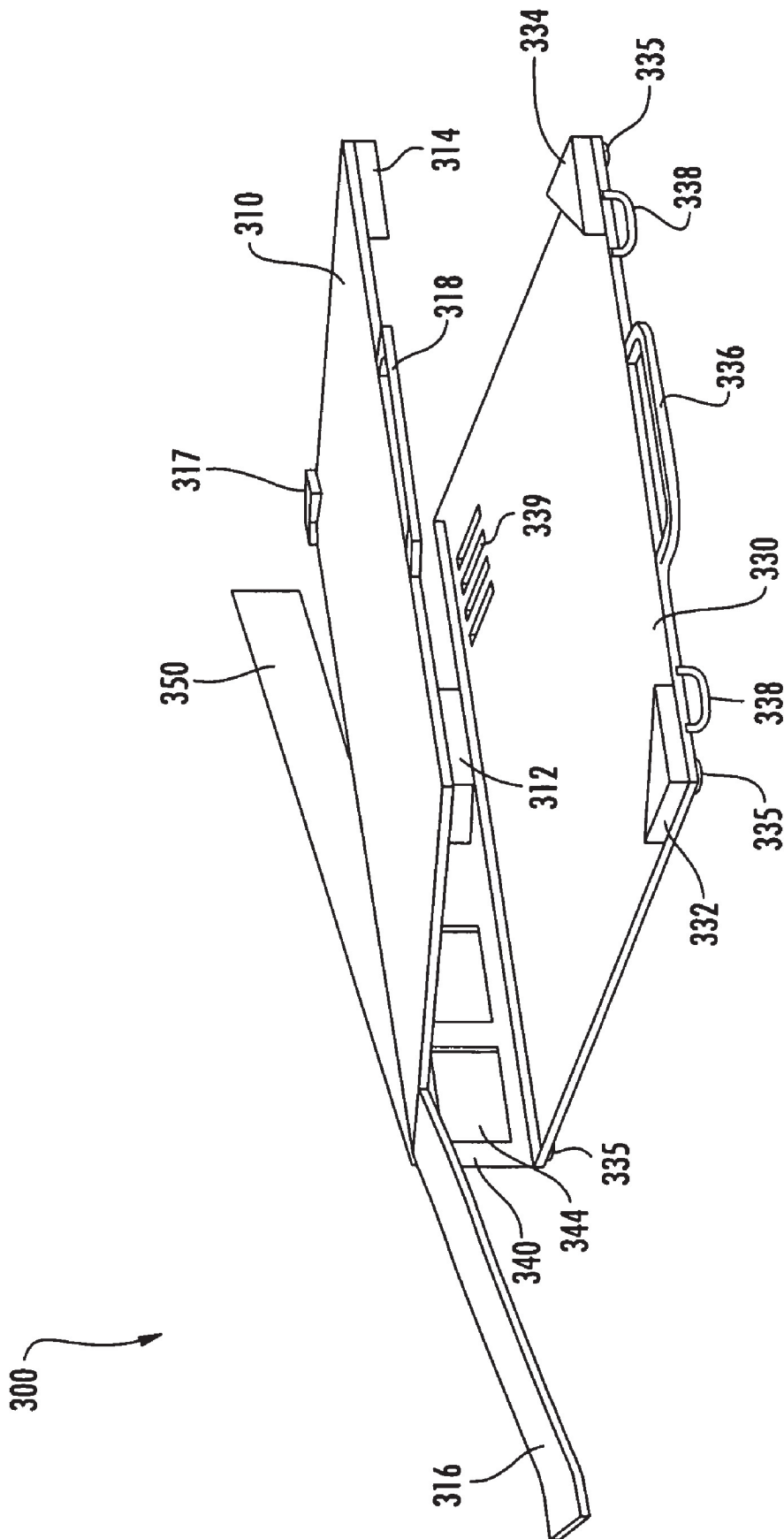


FIG. 3

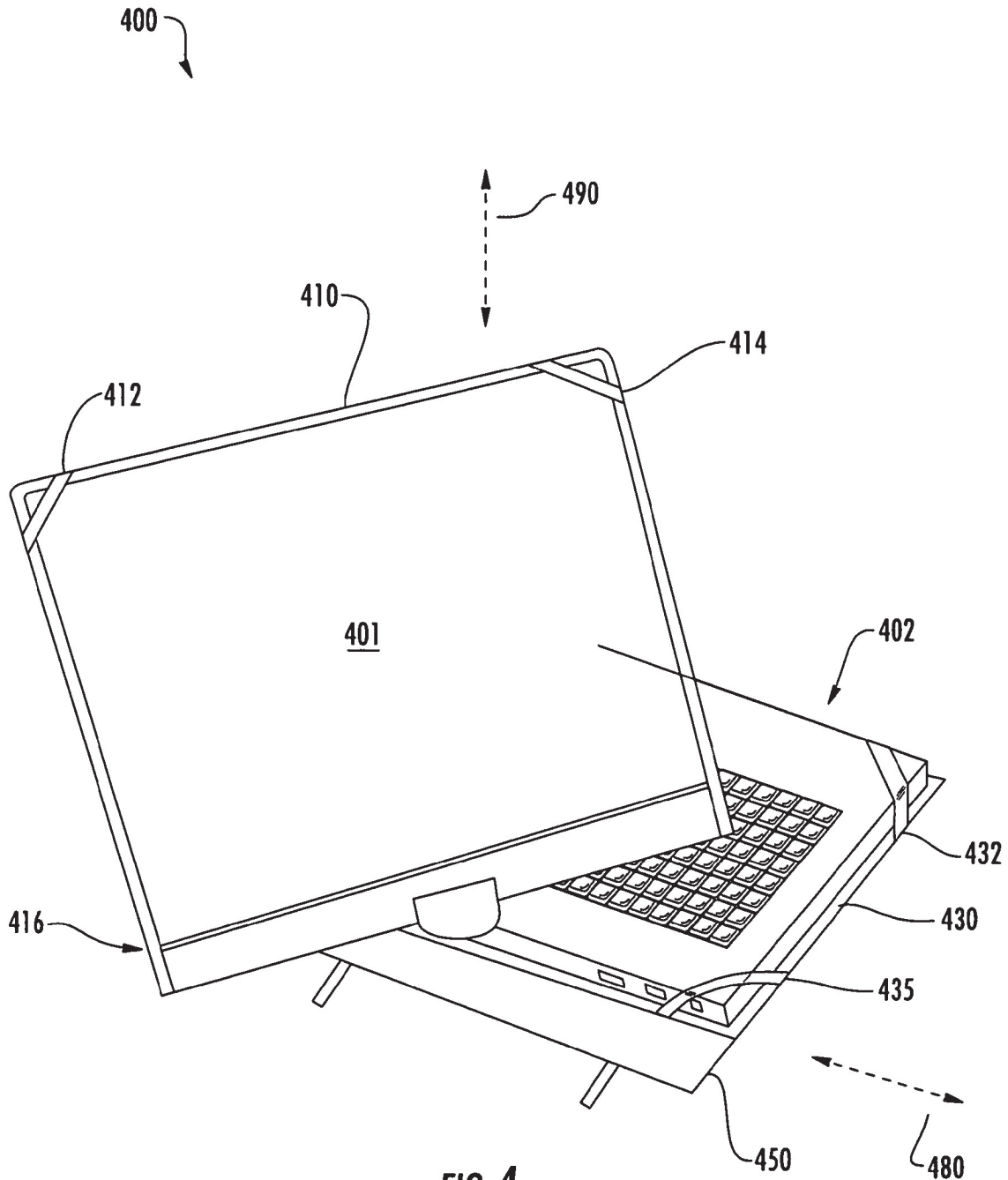


FIG. 4

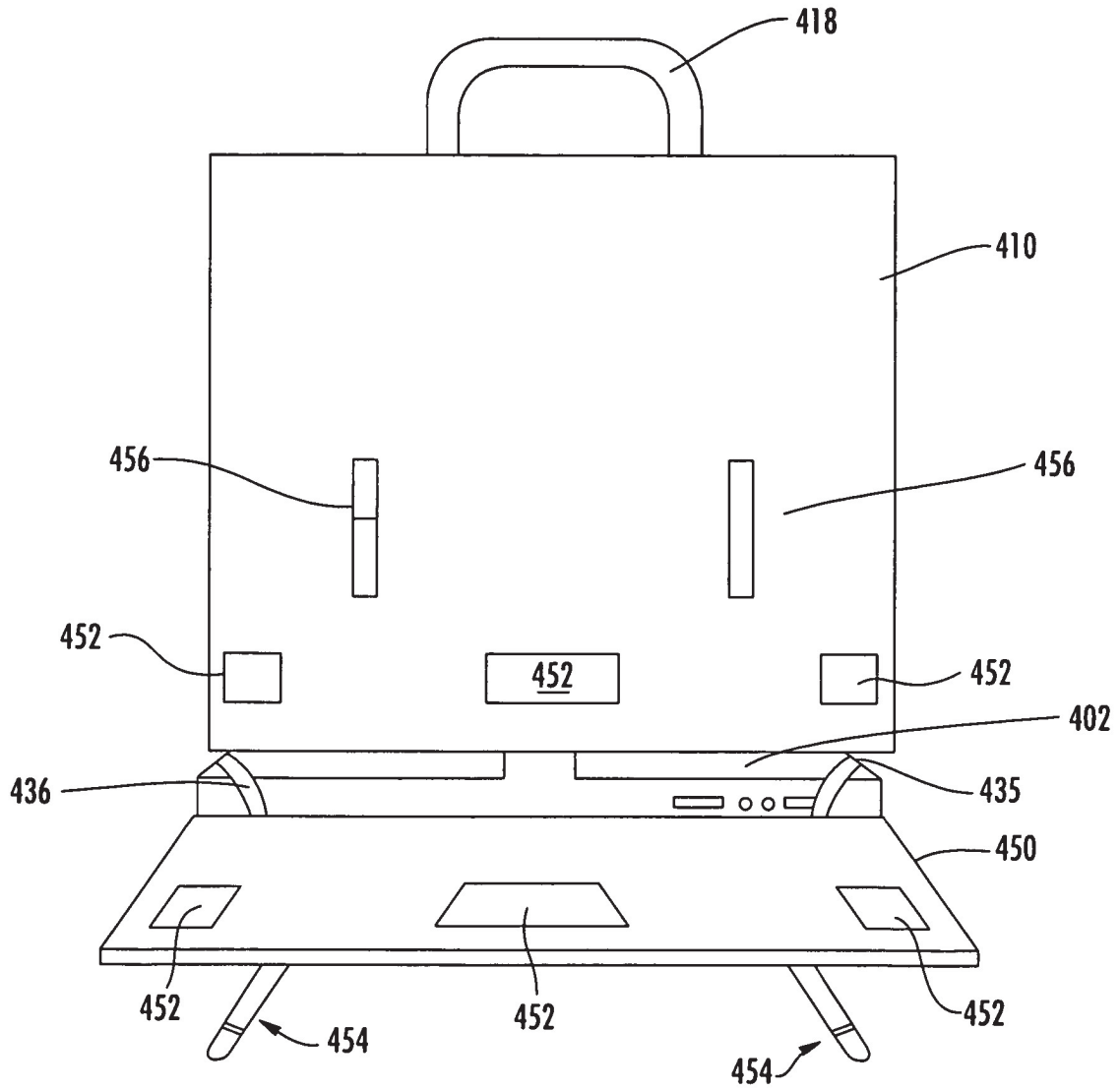


FIG. 5

1

## PORTABLE COMPUTER CASE

## BACKGROUND

Computers, particularly portable computers such as laptop computers, are susceptible to damage caused by impacts. Typically, bags or briefcases are used to attempt to protect a laptop computer during transport. These bags or briefcases are padded and simply form an enclosure from which the laptop computer is removed when the laptop computer is used. Such a bag or briefcase therefore provides no protection when the laptop computer is in use. Also, removal of the laptop computer from the bag or briefcase can be cumbersome and potentially introduce another opportunity for the computer to be damaged while being lifted out of the bag or briefcase.

## SUMMARY

Embodiments of the present invention may be used in a wide variety of applications so as to provide a case for a laptop computer, or a method of use for a laptop computer, to provide for operation of the computer without a need for removal of the computer from the case. Various embodiments of the invention may therefore provide enhanced ease of use because the laptop computer need not be removed from a bag or briefcase. Furthermore, because the laptop computer need not be lifted in an unprotected state, opportunities for damage of the laptop computer may be reduced.

According to one illustrative embodiment of the invention, a case for a laptop computer is provided having first and second portions formed of rigid material. The first portion is adapted to be secured to a display portion of the laptop computer, and the second portion adapted to be secured to a keyboard portion of the laptop computer. A connective portion is provided connecting the first portion to the second portion. Opening and closing the laptop computer is thereby permitted. A covering flap is also provided to be selectively securable across the connective portion. According to this illustrative embodiment of the invention, the first portion and second portion remain secured to the display and keyboard portions, respectively, during operation of the laptop computer in an open configuration.

In another illustrative embodiment of the invention, a method of use of a laptop computer is provided. The method includes the act of mounting the display portion of the laptop computer to a first portion formed of a rigid material and the act of mounting the keyboard portion of the laptop computer to a second portion formed of rigid material. A connective portion is located proximate to a plurality of ports on a back edge of the laptop computer. The connective portion connects the first and second portions to enable rotation of the first portion relative to the second portion. A covering flap is opened to expose the connective portion and the plurality of ports. At least one wire is inserted in at least one port of the plurality of ports. Data is input into the laptop computer by the use of the keyboard portion. According to this illustrative embodiment of the invention, the display portion and the keyboard portion remain mounted to the first and second portions, respectively, during the act of inputting data into the laptop computer.

According to a further illustrative embodiment of the invention, a case for a laptop computer is provided. According to this embodiment, a first portion is formed of rigid material and is adapted to be secured to a display portion of the laptop computer. A second portion is formed of rigid material and adapted to be secured to a keyboard portion of the laptop

2

computer. A covering flap is selectively securable between the first and second portions to enable rotation of the first portion relative to the second portion along a first axis. Opening and closing the laptop computer is thereby permitted when the covering flap is secured between the first portion and the second portion when the covering flap is secured between the first and second portion. The covering flap also enables rotation when detached from the first portion or the second portion, thereby enabling rotation of the display portion of the laptop computer along the second axis. According to this embodiment the first and second portions remain secured to the display portion and keyboard portion respectively during application of the laptop computer in an open configuration.

## BRIEF DESCRIPTION OF THE DRAWINGS

The invention will be apparent from the description herein and the accompanying drawings.

FIG. 1 is an illustration of an example of a case for a laptop computer according to an illustrative embodiment of the invention;

FIG. 2 is an illustration of an example of a method according to an illustrative embodiment of the invention;

FIG. 3 is an illustration of an example of a case for a laptop computer according to another illustrative embodiment of the invention; and

FIGS. 4 and 5 are illustrations of an example of a case for a multi-axis rotation laptop computer according to another illustrative embodiment of the invention.

## DETAILED DESCRIPTION

According to various embodiments of the invention, cases and methods of use of a laptop computer are provided. Various embodiments of the invention are provided such that the laptop computer need not be removed from the case, enabling use of the laptop computer keyboard, display and ports located on a back edge of the laptop computer while the laptop computer remains in the case.

An illustrated embodiment of a case **100** for a laptop computer is shown in FIG. 1. According to the illustrative embodiment, a first portion **110** is provided to be secured to a display portion of the laptop computer. A corresponding second portion **130** is also provided and is adapted to be secured to a keyboard portion of the laptop computer. The first portion **110** is provided with a first socket **112** and a second socket **114**. The sockets may be formed of a band of elastic material, non-elastic fabric or metal such as, for example, aluminum and are sized and configured to hold a corner of the first portion **110** proximate to the corresponding corner of the display portion of the laptop computer. Optionally, plastic clips, such as those used with a clipboard. A lower band **116** may be used to hold the lower portion of the display portion of the laptop computer proximate to the first portion **110** of the case **100** for the laptop computer. The lower band **116** may be secured on both ends to the first portion **110** or may be removable on one or both ends so as to more easily insert the laptop computer into the case **100**. Optionally, at least one pocket **120** may be provided on an exterior surface of the first portion **110**, so as to enable the carrying of additional supplies. It is understood that the pocket **120** may be formed in a wide variety of configurations. A handle **118** may be provided for holding the case **100** during travel.

The second portion **130** according to the illustrative embodiment of FIG. 1 is provided with a third socket **132** and a fourth socket **134**. Similar to the first socket **112** and the

3

second socket **114**, the third socket **132** and fourth socket **134** are sized and configured to hold corners of the laptop computer relative to corners of a portion of the case **100**. The third socket **132** and fourth socket **134** are sized and configured to hold corners of the keyboard portion of the laptop computer. The third socket **132** and fourth socket **134**, like the first socket **112** and second socket **114**, may be made of elastic or a non-elastic fabric material. The second portion **130** may also include a handle **136** that may be used in conjunction with the handle **118** of the first portion **110** during transport of the case **100**. A closure strap **138** may be provided on either of the first portion **110** or second portion **130** and removably securable to the other of the first portion **110** and second portion **130**, so as to be able to secure the distant ends of the first portion **110** and second portion **130** relative to each other, maintaining the case **100** in a closed position. The closure strap **138** may attach to the first portion **110** in the illustrative embodiment by the use of a magnet and/or a buckle or snap fastener or button.

The case **100** further includes a connective portion **140** that is configured to secure the first portion **110** and second portion **130** relative to each other so as to enable rotation of the first portion **110** relative to the second portion **130**, thereby permitting opening and closing of the laptop computer. According to the illustrative embodiment of FIG. 1, the connective portion **140** is formed by two straps **144** that are each secured to the first portion **110** and second portion **130**. The connective portion **140** may also be formed of material having holes located so as to be proximate to corresponding ports on the back edge of the laptop computer.

A covering flap **150** is also provided with the case **100** for the laptop computer. The covering flap **150** is secured to the first portion **110** or the second portion **130** and removably securable to the other of the first portion **110** and second portion **130**. According to the illustrative embodiment in FIG. 1, the covering flap **150** is selectively securable to the first portion **110** by the use of one or more hook and loop fasteners **152**, zipper **153**, buckles, magnets and/or snap fasteners. The covering flap **150** can therefore be selectively detached from the first portion **110** thereby enabling access to a back edge of the laptop computer so as to enable various cables to be connected to the back edge of the laptop computer while simultaneously maintaining the laptop computer within the case **100** while the case is in an open or closed position.

Various components of the case **100** may be formed of a wide variety of materials. The first portion **110** and second portion **130** may be formed of a rigid, planar material so as to provide some protection for the laptop computer. Real leathers, cow skins, hides, various fabrics, including cotton or synthetic fabrics such as demier, nylon, or other fabrics that will be apparent to one of ordinary skill in the art, are within the scope of the invention. Methods of construction may include various stitching, adhesive, and/or fasteners, including rivets or staples may be apparent to one of ordinary skill in the art and are included within the scope of the invention.

The sizing of the first portion **110** and second portion **130** may be slightly oversized relative to the size of the computer, thereby providing additional protection by locating the laptop computer in a recessed position from the outer perimeter of the first portion **110** and second portion **130**. However, the invention is not so limited and the first portion **110** and second portion **130** may be matched to the size of the computer.

Optionally, a shoulder strap **160** may be provided to be detachably connected to one or both of the first portion **110** and second portion **130**, so as to enhance the ease of carrying the case **100**. According to the illustrative embodiment in

4

FIG. 1, the shoulder strap **160** is attached to both the first portion **110** and the second portion **130** and detachable from both portions.

According to another illustrative embodiment of the invention, a method **200** of use of a laptop computer is provided and illustrated by way of example in FIG. 2. The method **200** includes the act of mounting **210** the display portion of the laptop computer to a first portion formed of a rigid material and the act of mounting **220** the keyboard portion of the laptop computer to a second portion formed of rigid material. A connective portion is located **230** proximate to a plurality of ports on a back edge of the laptop computer. The connective portion connects the first and second portions to enable rotation of the first portion relative to the second portion. A covering flap is opened **240** to expose the connective portion and the plurality of ports. At least one wire is inserted **250** in at least one port of the plurality of ports. Data is input **260** into the laptop computer by the use of the keyboard portion. According to this illustrative embodiment of the invention, the display portion and the keyboard portion remain mounted to the first and second portions, respectively, during the act of inputting data into the laptop computer.

According to another illustrative embodiment of the invention, a case **300** for a laptop computer is illustrated in FIG. 3. Similar to the case **100** of FIG. 1, the case **300** of FIG. 3, includes a first portion **310** and a second portion **330**. The first portion **310** includes a first socket **312** and second socket **314** and a lower band **316** that is releasably attachable by the use of a lock or any other securing mechanism, such as a hook and loop fastener **317**. A handle **318** is also provided, similar to the embodiment of FIG. 1.

The second portion **330** includes a third socket **332** and fourth socket **334**. Pads **335** are also provided on the corners to minimize slippage of the case **300** on a table or other surface. The handle **336** is provided to aid in transport of the case **300**. Loops **338** can be provided to attach a shoulder strap. The second portion **330** may also be formed with one or more ventilation ports **339** to enhance the cooling capability of the laptop computer by enabling air to pass through the ports **339**.

The connective portion **340** of the illustrative embodiment of FIG. 3 is formed of a material having holes **344** located to be proximate to corresponding ports on a back edge of the laptop computer. A covering flap **350** is provided, attached at one end to the connective portion **340**. However, the illustrative embodiment may be implemented with the covering flap **350** attached to the first or second portions **310**, **330** along an edge, similar to the covering flap **150** of the illustrative embodiment of FIG. 1.

Another illustrative embodiment of the invention is shown by way of example in FIGS. 4 and 5. The case **400** is configured so as to be suitable for use with a laptop computer having a multi-axis rotatable display, sometimes also known as a tablet PC. In addition to the standard rotation involved with opening and closing of the laptop computer, the display portion can also rotate about a second axis to enable the display portion to be oriented in different directions.

Similar to the other illustrated embodiments, the case **400** includes a first portion **410** formed of a rigid material and secured to a display portion **401** of the laptop computer. First and second sockets **412**, **414** and a lower band **416** may be used to secure the first portion **410** to the display portion. A second portion **430** is also formed of a rigid material and is secured to a keyboard portion **402** of the laptop computer. A third socket **432** and fourth socket (not shown), along with a

fifth socket 435 and sixth socket (436) may be used to secure the second portion 430 to the keyboard portion of the laptop computer.

Because a connective portion is not attached to both the first portion 410 and second portion 430, the display portion of the laptop computer is able to rotate about both a first axis 480 and second axis 490. With reference to FIG. 5, the covering flap 450 is illustrated by way of example. The covering flap 450 is configured with fasteners, such as hook and loop fasteners 452 to selectively secure the covering flap 450 to the first portion 410. Optionally, a zipper and/or additional straps 454 having hooks with corresponding hooks 456, or other securing mechanism, may be used to secure the covering flap 450 when the case 400 is being transported, such as by the use of handle 418, so as to ensure the weight of the laptop computer does not open the covering flap 450, if the laptop computer were to become dislodged from one or more sockets.

The illustrative embodiments, implementations and examples herein are meant to be illustrative and not limiting. The present invention has been described by way of example, and modifications and variations of the exemplary embodiments will suggest themselves to skilled artisans in this field without departing from the spirit of the invention. Features and characteristics of the above-described embodiments may be used in combination. The preferred embodiments are merely illustrative and should not be considered restrictive in any way.

What is claimed is:

1. A case for a laptop computer, comprising:
  - a first portion formed of a rigid material and adapted to be secured to a display portion of the laptop computer;
  - a second portion formed of a rigid material and adapted to be secured to a keyboard portion of the laptop computer;
  - a connective portion connecting the first portion to the second portion to enable rotation of the first portion relative to the second portion, thereby permitting opening and closing of the laptop computer; and
  - a covering flap selectively securable across the connective portion;
 wherein the first portion and second portion remain secured to the display portion and keyboard portion, respectively, during operation of the laptop computer in an open configuration.
2. The case of claim 1, wherein the covering flap is secured to one of the group of the first portion and second portion and removably securable to the other of the group of the first portion and the second portion, and the covering flap adapted to expose a plurality of ports on a back edge of the laptop computer when the covering flap is detached from the other of the first portion and the second portion.
3. The case of claim 2, wherein the covering flap is removably securable by the use of a hook and loop fastener.
4. The case of claim 2, wherein the covering flap is removably securable by the use of a zipper.
5. The case of claim 1, wherein the first portion is planar.
6. The case of claim 1, wherein the second portion is planar.
7. The case of claim 1, further comprising at least one pocket attached to an exterior surface of the first portion.
8. The case of claim 1, further comprising a first handle attached to the first portion along a first edge opposite the connective portion and a second handle attached to the second portion along a second edge opposite the connective portion, the first handle and second handle thereby configured to enable carrying of the case with the connective portion located downward and away from the first handle and second handle.

9. The case of claim 1, wherein the connective portion comprises two straps.

10. The case of claim 1, wherein the connective portion comprises a material having holes located so as to be proximate to corresponding ports on a back edge of the laptop computer.

11. The case of claim 1, further comprising a first socket located at a first corner of the first portion away from the connective portion and a second socket located at a second corner of the first portion away from the connective portion.

12. The case of claim 11, wherein the first socket and the second socket are formed of elastic.

13. The case of claim 11, further comprising a band mounted at each end to opposite edges of the first portion and proximate to the connective portion, the band sized to permit the display portion of the laptop computer to be located between the band and the first portion.

14. The case of claim 1, further comprising a first socket located at a first corner of the second portion away from the connective portion and a second socket located at a second corner of the second portion away from the connective portion.

15. The case of claim 14, wherein the first socket and the second socket are formed of elastic.

16. The case of claim 1, further comprising a closure strap attached to at least one of group of the first portion and the second portion, opposite the connective portion and removably attached to the other of the group of the first portion and the second portion.

17. The case of claim 16, further comprising a magnet for removable attachment of the closure strap to the other of the group of the first portion and the second portion.

18. The case of claim 1, further comprising a shoulder strap attached to at least one of group of the first portion and the second portion.

19. A method of use of a laptop computer, comprising:
 

- mounting a display portion of the laptop computer to a first portion formed of a rigid material;
- mounting a keyboard portion of the laptop computer to a second portion formed of a rigid material;
- locating a connective portion proximate to a plurality of ports on a back edge of the laptop computer, the connective portion connecting the first portion to the second portion to enable rotation of the first portion relative to the second portion;
- opening a covering flap to expose the connective portion and the plurality of ports;
- inserting at least one wire in at least one port of the plurality of ports; and
- inputting data into the laptop computer by the use of the keyboard portion, wherein the display portion and keyboard portion remain mounted to the first portion and second portion, respectively, during the act of inputting data into the laptop computer.

20. The method of claim 19, wherein the act of opening a covering flap comprises separating a hook and loop fastener.

21. The method of claim 19, wherein the act of mounting a display portion of the laptop computer includes locating corners of the display portion of the laptop computer in sockets mounted to the first portion and formed of elastic.

22. The method of claim 19, wherein the act of mounting a keyboard portion of the laptop computer includes locating corners of the keyboard portion of the laptop computer in sockets mounted to the second portion and formed of elastic.

23. A case for a laptop computer, comprising:
 

- a first portion formed of a rigid material and adapted to be secured to a display portion of the laptop computer;

7

a second portion formed of a rigid material and adapted to be secured to a keyboard portion of the laptop computer; and

a covering flap selectively securable between the first portion and the second portion to enable rotation of the first portion relative to the second portion along a first axis, thereby permitting opening and closing of the laptop computer when the covering flap is secured between the first portion and the second portion, the covering flap enabling rotation relative to a second axis of the first

8

portion to the second portion when detached from one of the group of the first portion and second portion, thereby enabling rotation of the display portion of the laptop computer along the second axis;

wherein the first portion and second portion remain secured to the display portion and keyboard portion, respectively, during operation of the laptop computer in an open configuration.

\* \* \* \* \*