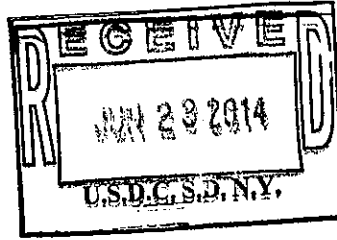


JUDGE FAILLA

Rose Auslander
John M. Griem, Jr.
CARTER, LEDYARD & MILBURN LLP
Two Wall Street
New York, NY 10005
(212) 732-3200



Attorneys for Plaintiff
HAIR FLAIR LIMITED

14 CV 4508

IN THE UNITED STATES DISTRICT COURT
FOR THE SOUTHERN DISTRICT OF NEW YORK

-----X	:	
	:	
HAIR FLAIR LIMITED,	:	
	:	Civil Case No. _____
Plaintiff,	:	
	:	JURY TRIAL DEMANDED
-against-	:	
	:	
AMAZON.COM, INC.	:	
Defendant.	:	
-----X	:	

COMPLAINT

Hair Flair Limited ("Plaintiff"), for its Complaint against Amazon.com, Inc. ("Defendant"), hereby alleges as follows:

NATURE OF THE ACTION

1. This is a civil action for patent and trademark infringement. Plaintiff owns United States Patent No. U.S. 6,647,989, issued Nov. 18, 2003 and directed to a "Hair

Treatment Device and Method” (the “ ‘989 patent”) Plaintiff sells hair curler products covered by the ‘989 patent under its CURLFORMERS trademark. Defendant willfully infringes the ‘989 patent by offering for sale, and acting as a fulfillment agent for third parties who sell, unauthorized copies of Plaintiff’s hair curler products that infringe one or more claims of the ‘989 patent. Defendant has been repeatedly put on notice of its patent infringing conduct. Defendant also infringes Plaintiff’s trademark rights by using and inducing the use of Plaintiff’s CURLFORMERS trademark in a manner likely to cause consumer confusion.

THE PARTIES

2. Plaintiff Hair Flair Limited is a United Kingdom limited company having a corporate office at 30 Addiscombe Grove, Croydon, Surrey CR9 5AY.

3. Defendant Amazon.com, Inc. is a Delaware corporation with its principal place of business at 1516 2nd Avenue, Seattle, Washington 98101.

JURISDICTION AND VENUE

4. This Court has jurisdiction over the subject matter of this action pursuant to 28 U.S.C. §§ 1331 and 1338(a) because this action arises under the Patent Laws of the United States, 35 U.S.C. § 1 et seq. and the Lanham Act, 15 U.S.C. § 1125 et seq. Supplemental subject matter jurisdiction for the state law claims is based on 28 U.S.C. § 1367.

5. This Court has personal jurisdiction over Defendant at least under N.Y.C.P.L.R. 302(a) because Defendant has sufficient minimum contacts with the forum as a result of business conducted within the State of New York and within the Southern District of New York. Personal jurisdiction also exists specifically over Defendant because it offers for

sale, sells, imports, advertises, makes available and/or markets one or more products and/or services within the State of New York, and more particularly, within the Southern District of New York, and has purposely availed itself of the privileges and benefits of the laws of the State of New York.

6. Upon information and belief, Defendant, directly and/or through authorized intermediaries, ships, distributes, offers for sale, sells, and/or advertises (including the provision of an interactive web page) its products and services in the United States and the State of New York.

7. Upon information and belief, Defendant has committed patent and trademark infringement in the State of New York. Defendant solicits customers in the State of New York. Defendant has paying customers who are residents of the State of New York and who each use Defendant's products and services in the State of New York.

8. This Court further has subject matter jurisdiction over the claims and causes of action asserted in this Complaint pursuant to 28 U.S.C. § 1332(a) because this dispute is between citizens of complete diversity, including a Delaware company with its headquarters in Seattle, Washington, and a United Kingdom company, and the amount in controversy exceeds \$75,000, exclusive of interest and costs.

9. Venue is proper in this judicial district as to Defendant pursuant to 28 U.S.C. §§ 1391 and 1400(b), because Defendant has committed acts of infringement in the Southern District of New York and has transacted business in the Southern District of New York.

FACTUAL BACKGROUND

10. Plaintiff began sales of its CURLFORMERS brand hair curlers in the United States as early as January 2007. Today, CURLFORMERS brand hair curler products are widely used in the USA, by women, mothers with children, cheerleaders, and others who want to curl their hair (or their children's hair), without damaging it by using curling irons. Plaintiff has generated substantial sales and goodwill through its sales of genuine CURLFORMERS products on Defendant's website and elsewhere, and has gained secondary meaning in the CURLFORMERS mark. The only other authorized seller of genuine CURLFORMERS products on Defendant's website is Sally Beauty Supply.

11. The CURLFORMERS trademark is registered in the United States Patent and Trademark Office, U.S. Registration No. 3679861, and the CURLFORMERS word mark is the subject of U.S. Trademark Application No. 86237526, filed March 31, 2014.

12. In addition, CURLFORMERS brand hair curler products are covered by one or more claims of the '989 patent, which Plaintiff received by assignment from inventor Alfredo de Benedictis by an assignment dated December 15, 2008. Plaintiff possesses all rights of recovery under the '989 Patent, including the right to sue and recover all damages for infringement thereof, including past infringement. A copy of the '989 patent is attached as **Exhibit A**.

13. Plaintiff identified a number of sellers of unauthorized and infringing hair curler products on Defendant's website at www.amazon.com, and on March 5, 2013, Plaintiff put Defendant on notice of its infringement of the '989 patent by following the procedures set

forth on Defendant's website. Plaintiff was informed that it should send notices of infringement directly to the infringing sellers. Plaintiff did so, but a number of the infringing sellers have refused to voluntarily cease selling infringing hair curler products on Defendant's website.

14. On April 1, 2014, Plaintiff sent a letter to Defendant asking defendant to remove the infringing listings directly and to block the infringing sellers from selling any other infringing hair curler products. Plaintiff also asked Defendant to screen future listings of hair curler products to block those that have product indicia associated with unauthorized products. The majority of unauthorized copies include in their convoluted product descriptions the words "Magic Leverag(e)", "Vakind Curlers" and, quite frequently, unauthorized use of the mark "CURLFORMERS." Other characteristics are that the unauthorized copies are usually presented either in clear polypropylene bags, or in cardboard boxes with a window panel. Significantly, the manufacturers' names and addresses never appear on the packaging.

15. Plaintiff's April 1, 2014 letter provided links to examples of genuine CURLFORMERS products and unauthorized ones, and included listings of all infringing and unauthorized products known to Plaintiff for sale on Defendant's website (the "Accused Products"). Plaintiff's letter also included a detailed patent infringement analysis, and explained why as a legal matter Defendant was liable for patent infringement under the Patent Act for offering to sell and fulfilling third-party sales of Accused Products.

16. Plaintiff's April 1, 2014 letter also explained the significant safety risks associated with unauthorized hair curler products sold and offered for sale by Defendant. Unauthorized products such as those at issue here often have a very unpleasant smell and contain phthalates at levels that are forbidden by the European Union for use on products used on or by children, under REACH Regulation (EC) no. 1907/2006 and amendment no. 552/2009.

17. A copy of Plaintiff's April 1, 2014 letter is attached as **Exhibit B**. No response to Plaintiff's letter was ever received from Defendant, despite repeated efforts to follow up. Nor did Defendant remove any of the listings for Accused Products identified by Plaintiff's April 1, 2014 letter and offered for sale on www.amazon.com.

18. A list of products Plaintiff found currently offered for sale on www.amazon.com that infringe the '989 patent is attached as **Exhibit C**.

19. By contrast, Defendant has responded promptly to Plaintiff's requests to de-list infringing products being offered for sale on Defendant's websites amazon.co.uk, amazon.de and amazon.fr.

20. Sales of genuine CURLFORMERS products improved on the amazon.co.uk, amazon.de and amazon.fr websites after infringing products were delisted, while at www.amazon.com, where the infringements were allowed to continue, sales of genuine products have continued to decline.

21. Defendant is knowingly and willfully allowing and expediting the sale of unauthorized copies of genuine CURLFORMERS products in connection with its website at www.amazon.com by offering for sale and acting as an online retailer and dealer in the Accused Products, by offering the Accused Products for sale at www.amazon.com, facilitating sales on www.amazon.com, and stocking Accused Products in Defendant's warehouse and shipping them as a fulfillment agent for third-party sellers. Defendant is directly liable for the infringing offers for sale and sales of these Accused Products, regardless of whether the individual seller partners of Defendant are also liable.

22. Defendant is also profiting from its infringement of Plaintiff's trademarks and patents by its practice of presenting unauthorized copies of Plaintiff's hair curler products in response to searches for CURLFORMERS products. For example, as shown in Exhibit D, many infringing and unauthorized "Vakind" and other products appear in response to a search for trademarked CURLFORMERS products. For another example, as shown in Exhibit E, Defendant profits from its trademark and patent infringement by suggesting the purchase of unauthorized and infringing "Vakind" and other unauthorized products in a "bundle" with genuine CURLFORMERS products (under the heading "Frequently Bought Together"). As a further example, as also shown in Exhibit E, Defendant profits from its patent and trademark infringement described above by suggesting the purchase of unauthorized hair curler products that are described as having been purchased or viewed by other customers who also bought Plaintiff's genuine CURLFORMERS products (under the headings "Customers Who Bought This Item Also Bought"; "Customers Who Viewed This Item Also Viewed" and "Continue Shopping: Customers Who Bought Items in Your Recent History Also Bought").

23. Defendant's conduct in offering for sale and acting as an online retailer and dealer in Accused Products, and in providing links to unauthorized hair curler products in response to searches for genuine CURLFORMERS products, has, upon information and belief, irreparably injured Plaintiff's reputation. Consumers who purchase unauthorized and infringing products are frequently receiving hair curler products that do not meet Plaintiff's high standards for quality and safety. Because consumers do not recognize that the products are not genuine CURLFORMERS products, they incorrectly attribute any defects or harm caused by the products to Plaintiff. Plaintiff's reputation and goodwill is thereby damaged directly, and by consumers who attribute unsatisfactory experiences with unauthorized and infringing Accused Products to Plaintiff in the "comments" they provide on Defendant's website.

24. Defendant has the technical ability to distinguish on its website between genuine CURLFORMERS products sold by Plaintiff, and unauthorized and infringing Accused Products, and to take steps that would mitigate or eliminate confusion between genuine and unauthorized products. Nevertheless, Defendant has refused to take action to remedy its infringing conduct, requiring Plaintiff to bring this action. Other companies have also been forced to sue Amazon to obtain relief from Amazon's refusal to remedy its infringing conduct. For example, Tre Milano was forced to file suit to stop Defendant's sale of counterfeit "InStylers," beauty company Lush was forced to file suit to stop Defendant's infringement of its trademark rights, and Zipbuds was forced to file suit to stop sales of infringing headphones.

25. Defendant has been repeatedly and specifically notified of the infringement, and has simply chosen to ignore the demands without even so much as, on information and belief, engaging in a review or comparison of the '989 Patent or the Accused Products. Defendant has offered no explanation as to why the Accused Products do not infringe the '989 patent, and Defendant's continued conduct in offering for sale and fulfilling sales of Accused Products on www.amazon.com makes Defendant's infringement willful.

26. Accordingly, facing a seller unwilling to take any responsibility for removing the infringing products it knowingly sells from its online store, and to protect Plaintiff's valuable patents and trademarks from online exploitation, Plaintiff brings this suit against Defendant.

COUNT I

PATENT INFRINGEMENT

27. Paragraphs 1-19 are incorporated by reference as if fully restated herein.

28. Upon information and belief and in violation of 35 U.S.C. § 271, Defendant has directly and indirectly, and through inducement and contribution, infringed and continues to infringe at least one or more claims of the '989 Patent, including at least claims 1, 2, 3, 4, and 13, by providing, offering to sell, and selling (directly or through intermediaries), in this district and elsewhere in the United States, hair curler products on its website at www.amazon.com, including but not limited to the Accused Products.

29. Such hair curler products infringe because they are each a device for treatment of a tress of hair including a lengthwise contractible cylindrical tube open at at least one end for containing the tress of hair, said tube being formed such that contraction of the tube lengthwise from a first lengthwise state to a second lengthwise state causes a transverse dimension of said tube to increase from a first dimension to a second dimension, the tube being resiliently spring biased toward a preformed state in which the tube is one of the flattened and twisted about a longitudinal axis thereof and bent about at least one axis extending transversely to the longitudinal axis so that the cylindrical shape of the tube is distorted so as to impart a desired form to said tress of hair contained within said tube during use, the tube being resiliently manipulable from said preformed state into said cylindrical shape.

30. Such hair curler products also infringe because the tube of the product has a wall comprising interwoven fibres inclined to the length of the tube, and the tube has a wall comprising elements interconnected in a mesh formation, said elements being inclined to the length of the tube, where in the determined form the tube is of oval cross section and has a twist about a lengthwise axis of the tube.

31. In addition, such products are sold with an infringing hair engaging hook which is constructed for use with a hair treatment device including a lengthwise contractible cylindrical tube open at at least one end, said tube being formed such that contraction of the tube lengthwise from a first lengthwise state to a second lengthwise state causes a transverse dimension of said tube to increase from a first dimension to a second dimension; and said tube

when in the first lengthwise state being manually preformable into a determined form to impart a desired form to said tress of hair contained within said tube, including a hook member having an outer profile and a hair engaging tooth having a free end extending inwards from the outer profile.

32. To the extent notice may be required, Defendant received actual notice of its infringement of the '989 Patent at least as early as the filing of this complaint in this action, pursuant to 35 U.S.C. § 287(a). Defendant also received written notice on March 5, 2013 and on April 1, 2014.

33. Defendant's aforesaid activities have been willful and intentional, and without authority and/or license from Plaintiff. Specifically, although Defendant maintains the power under its Conditions of Use to remove whatever products it wishes to from its online store, has a detailed infringement notice program to coordinate that removal, and indeed removes products continuously on this basis, it simply refused to take any removal action with respect to these sellers' Accused Products, continuing to allow them to be sold on its online store and, on information and belief, generating substantial profits from those sales.

34. Plaintiff is entitled to recover from Defendant the damages sustained by Plaintiff as a result of the Defendant's wrongful acts in an amount subject to proof at trial, which, by law, cannot be less than a reasonable royalty, together with interest and costs as fixed by this Court under 35 U.S.C. § 284.

35. Defendant's infringement of Plaintiff's exclusive rights under the '989 Patent will continue to damage Plaintiff, causing irreparable harm for which there is no adequate remedy at law, unless enjoined by this Court.

COUNT II

**WILLFUL TRADEMARK INFRINGEMENT
UNDER §32 OF THE LANHAM ACT, 15 U.S.C. §1114(1)**

36. Plaintiff realleges and incorporates herein the allegations contained above.

37. Plaintiff is the owner of the federally registered CURLFORMERS mark for use in connection with non-electric hair curler products.

38. Plaintiff has used the CURLFORMERS mark in the U.S. for over seven years and owns all goodwill in that mark.

39. Defendant and its seller partners have used and are using in commerce without Plaintiff's consent the CURLFORMERS mark, and marks that are confusingly similar and colorable imitations of Plaintiff's CURLFORMERS mark, to offer for sale, identify, promote and advertise their unauthorized hair curler products. Such use is likely to cause confusion, cause mistake or to deceive.

40. Defendant's unauthorized actions are causing and will continue to cause consumer confusion, mistake or deception as to the source of Defendant's products in violation of §32(1)(a) of the Lanham Act, 15 U.S.C. §1114(1)(a).

41. Through these actions, Defendant has directly and indirectly, and through inducement and contribution, infringed and contributed to the infringement of Plaintiff's CURLFORMERS mark.

42. Defendant's use of CURLFORMERS is a knowingly unauthorized use and was committed with knowledge that such imitation was intended to be used to cause confusion, or to cause mistake or to deceive.

43. Defendant's wrongful acts have proximately caused and will continue to cause Plaintiff irreparable injury, including, but not limited to lost profits, dilution of its goodwill, and injury to its reputation.

44. As a consequence of these wrongful acts, Plaintiff has suffered irreparable damages and lost profits in an amount not yet determined, and Plaintiff will continue to suffer irreparable damages and lost profits in the future unless and until Defendant's infringing activities are enjoined by this Court.

COUNT III

UNFAIR COMPETITION AND FALSE DESIGNATION OF ORIGIN UNDER §43(A) OF THE LANHAM ACT, 15 U.S.C. §1125(a)

45. Plaintiff realleges and incorporates herein the allegations contained above.

46. Defendant's use of the CURLFORMERS mark alone and in conjunction with other words is likely to cause confusion and mistake, and to deceive consumers as to the affiliation, connection or association of Defendant and its seller partners with Plaintiff and its

licensees or as to the origin, sponsorship, or approval of Defendant's products and services, and to falsely designate or represent the original source of their goods and services.

47. Through these activities, Defendant has directly and indirectly, and through inducement and contribution, used false designations of origin and unfairly competed with Plaintiff, in violation of Section 43(a) of the Lanham Act, 15 U.S.C. § 1125(a).

48. Defendant's wrongful acts have proximately caused and will continue to cause Plaintiff injury, including, but not limited to lost profits, dilution of its goodwill, and injury to the reputation of Plaintiff and its products.

49. As a consequence of these wrongful acts, which have been willful, Plaintiff has suffered irreparable damage and monetary damages in an amount not yet determined, and Plaintiff will continue to suffer irreparable and monetary damages in the future unless and until Defendant's infringing activities are enjoined by this Court.

COUNT IV

DECEPTIVE BUSINESS ACTS OR PRACTICES
(N.Y. GEN. BUS. L. §349)

50. Plaintiff realleges and incorporates herein the allegations contained above.

51. Defendant's activities constitute knowing and willful deceptive acts or practices and acts with the capacity to deceive in the conduct of its business impacting consumers, in violation of N.Y. Gen. Bus. L. §349.

52. Plaintiff has been, and will continue to be, damaged by Defendant's acts in an amount to be determined at trial.

53. By reason of the willful nature of Defendant's acts, Plaintiff is entitled to actual damages, and trebling of its damages, and attorneys' fees, pursuant to N.Y. Gen. Bus. L. § 349.

54. Plaintiff has no adequate remedy at law, entitling it to injunctive relief restraining Defendant from engaging in further acts of deceptive business acts and practices.

COUNT V

UNFAIR COMPETITION **UNDER NEW YORK COMMON LAW**

55. Plaintiff realleges and incorporates herein the allegations contained above.

56. The aforesaid acts of Defendants constitute unfair competition in willful violation of the common law of the State of New York.

57. As a consequence of these wrongful acts, which have been willful, Defendant has unjustly enriched itself and Plaintiff has suffered irreparable damage and monetary damages in an amount not yet determined, and Plaintiff will continue to suffer irreparable and monetary damages in the future unless and until Defendant's infringing activities are enjoined by this Court.

PRAYER FOR RELIEF

WHEREFORE, Plaintiff respectfully request that this Court enter judgment against

Defendant as follows:

A. An adjudication that Defendant has infringed the '989 Patent;

B. Entry of a preliminary and/or permanent injunction against further infringement of the '989 Patent by Defendant, its employees, agents, officers, directors, attorneys, successors, affiliates, subsidiaries and related companies, licensees, representatives, dealers, distributors, and assigns, and all those in active concert and participation with Defendant, as well as enjoining any and all of them from:

- a. falsely describing, representing, or listing the origin of products other than Plaintiff's under marks consisting of or containing the CURLFORMERS mark or any confusingly similar marks;
- b. performing any act that can, or is likely to, mislead members of the trade or public to believe that that products other than Plaintiff's are in any manner associated or connected with Plaintiff or the CURLFORMER brand, or sponsored, approved or authorized by Plaintiff, or vice versa;
- c. otherwise competing unfairly with Plaintiff in any manner;
- d. performing in any manner whatsoever any of the other acts complained of in this Complaint; and

e. assisting, authorizing, aiding or abetting any other person or business entity in engaging in or performing any of the activities referred to in subparagraphs (a) through (d) above;

C. An order directing Defendant to undertake corrective advertisement and such other actions as the Court may deem appropriate to correct any erroneous impression among the trade or public, created by Defendant's acts, that products other than those authorized by Plaintiff are related in any way to Plaintiff or its CURLFORMERS brand;

D. An order directing Defendant to file with the Court and serve upon Plaintiff's counsel within thirty (30) days after entry of such judgment, a report in writing under oath, setting forth in detail the manner and form in which Defendant has complied with the above;

E. An order requiring an accounting of all profits, royalties, fees, and other monies received by Defendant as a result of its wrongful conduct;

F. An award to Plaintiff of all damages it sustained or will sustain by reason of the Defendant's trademark infringement, unfair competition, and deceptive business practices, together with appropriate interest on such damages. Pursuant to Section 35 of the Lanham Act, 15 U.S.C. §1107, Plaintiff is entitled an amount up to three times the amount of such actual damages sustained as a result of Defendant's violation of the Lanham Act;

G. An award of damages to be paid by Defendant adequate to compensate Plaintiff for Defendant's past patent infringement and any continuing or future infringement up until the date such judgment is entered, including interest, costs, and disbursements as justified under 35 U.S.C. § 284 and, if necessary to adequately compensate Plaintiff for Defendant's infringement, an accounting of all infringing sales including, but not limited to, those sales not presented at trial;

H. An order finding that Defendant's infringement of the patents-in-suit has been willful and trebling the damages awarded to Plaintiff, as provided by 35 U.S.C. § 284;

I. A declaration that this case is exceptional under 35 U.S.C. § 285;

J. An award to Plaintiff of its attorney fees, costs, and expenses incurred in prosecuting this action; and

K. An award to Plaintiff of such further relief at law or in equity as the Court deems just and proper.

DEMAND FOR JURY TRIAL

Plaintiffs hereby demand trial by jury on all claims and issues so triable.

Dated: June 23, 2014

Respectfully submitted,

CARTER LEDYARD & MILBURN LLP

By: 

Rose Auslander (RA9423)

John M. Griem, Jr. (JG2609)

Two Wall Street

New York, New York 10005-2072

Tel. 212-732-3200

Email: griem@clm.com

*Attorneys for Plaintiff
HAIR FLAIR LIMITED*

EXHIBIT A



US006647989B1

(12) **United States Patent**
De Benedictis

(10) **Patent No.:** US 6,647,989 B1
(45) **Date of Patent:** Nov. 18, 2003

(54) **HAIR TREATMENT DEVICE AND METHOD**

(76) **Inventor:** Alfredo De Benedictis, 13-15 King Street, Luton Bedfordshire LU1 2DW (GB)

(*) **Notice:** Subject to any disclaimer, the term of this patent is extended or adjusted under 35 U.S.C. 154(b) by 0 days.

(21) **Appl. No.:** 09/937,704

(22) **PCT Filed:** Mar. 21, 2000

(86) **PCT No.:** PCT/GB00/01043

§ 371 (c)(1),
(2), (4) **Date:** Oct. 1, 2001

(87) **PCT Pub. No.:** WO00/57744

PCT Pub. Date: Oct. 5, 2000

(30) **Foreign Application Priority Data**

Mar. 30, 1999 (GB) 9907166
Apr. 22, 1999 (GB) 9909107

(51) **Int. Cl.⁷** A45D 7/00; A45D 6/00

(52) **U.S. Cl.** 132/210; 132/222; 132/223; 132/273

(58) **Field of Search** 132/207, 210, 132/211, 222, 223, 224, 55, 245, 269, 270, 273, 274; 219/201, 211

(56) **References Cited**

U.S. PATENT DOCUMENTS

1,400,637 A * 12/1921 Szkanyi 132/211
1,595,272 A * 8/1926 Weathers 132/269
1,703,005 A * 2/1929 Hewitt 219/529
1,884,305 A * 10/1932 Shelton 132/206
2,125,402 A * 8/1938 Simas 219/222
2,765,798 A * 10/1956 Carvell 132/55
2,775,245 A * 12/1956 Behr 132/273
2,924,228 A * 2/1960 McGee 132/273

3,307,562 A * 3/1967 Corbett et al. 132/245
3,347,248 A * 10/1967 Weitzner 132/252
3,523,542 A * 8/1970 Eisler 132/229
3,566,888 A 3/1971 Bonarigo
3,631,868 A 1/1972 Solomon
3,871,388 A 3/1975 Leoci
4,022,225 A * 5/1977 Kauffman 132/269
4,895,140 A * 1/1990 Bellak 600/39
4,958,648 A * 9/1990 Morey 132/220
5,472,003 A 12/1995 Frame et al.
5,649,541 A * 7/1997 Stuckey 128/880
5,771,906 A 6/1998 De Benedictis
5,878,756 A * 3/1999 Bilodeau 132/274
5,970,991 A * 10/1999 Srivastava 132/274
6,041,791 A * 3/2000 Belmonte et al. 132/222

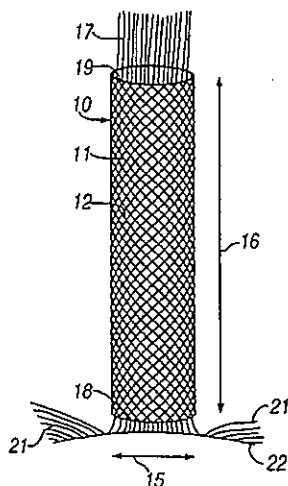
* cited by examiner

Primary Examiner—Eduardo C. Robert
Assistant Examiner—David Comstock
(74) *Attorney, Agent, or Firm*—Dykema Gossett PLLC

(57) **ABSTRACT**

A device for use in hair treatment comprises a tube (10) having a wall constructed of elements (11, 12) extending in a direction inclined to the length of the tube, or a wall constructed of interwoven fibres (11, 12). As a result of its construction when the tube is contracted from an elongate state to a contracted state, the transverse dimension of the tube increases to permit insertion of a tress of hair through the tube. After insertion of the hair through the tube, the tube is extended which causes the transverse dimension to decrease and compress together the hairs of the tress. The tube is then manipulated into a desired form to thereby impart a required form to the tress of hair. The tube may be performed in the desired form and after insertion of the tress of hair is permitted to revert to the desired form. Restraints (52₁, 52₂) may be applied to the tube and hair contained therein and then the tube between the restraints is contracted lengthwise to cause the transverse dimension thereof to increase.

13 Claims, 4 Drawing Sheets



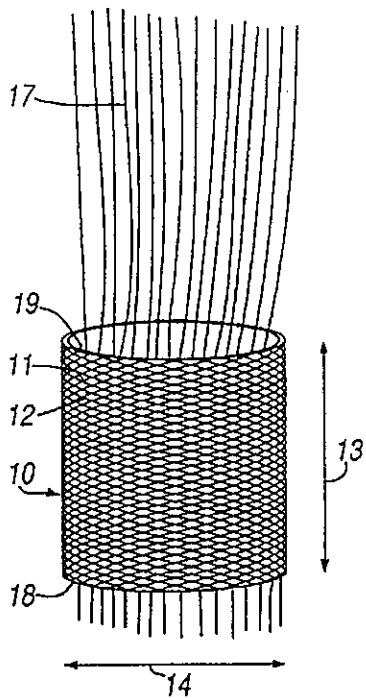


Fig. 1

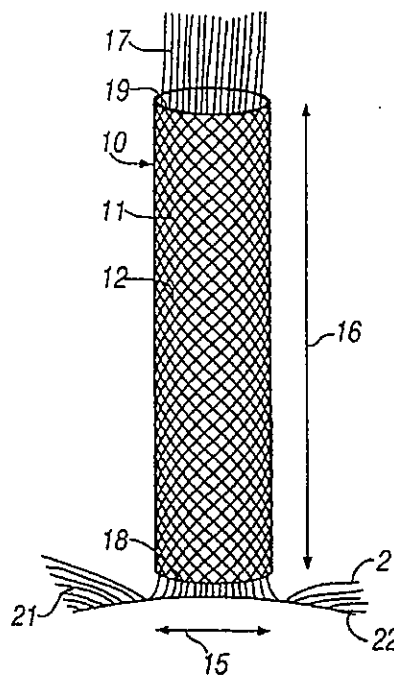


Fig. 2

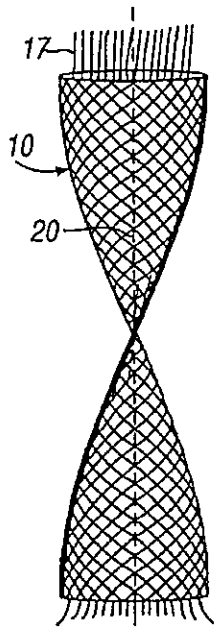


Fig. 3

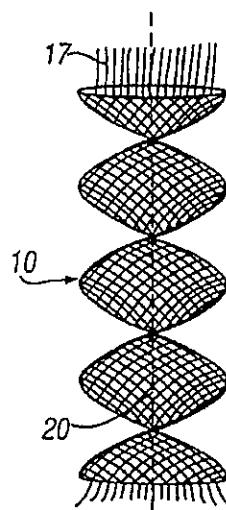


Fig. 4

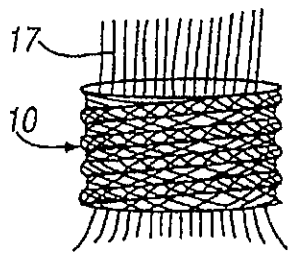


Fig. 5

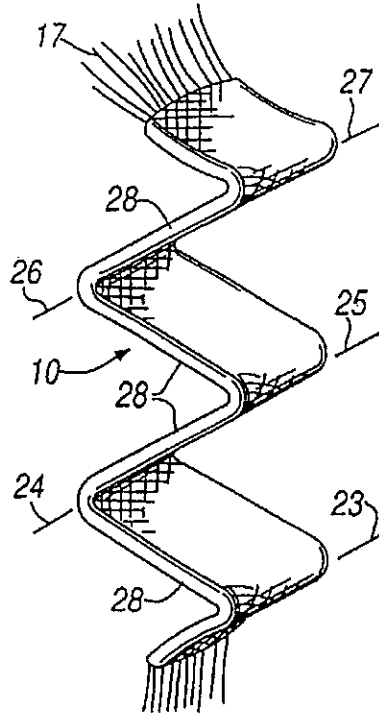


Fig. 6

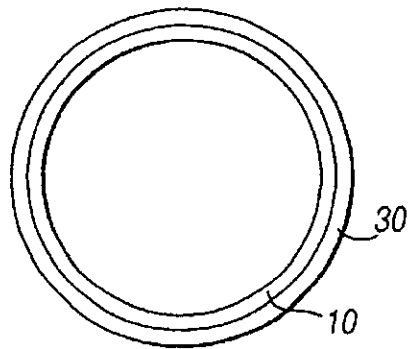


Fig. 7

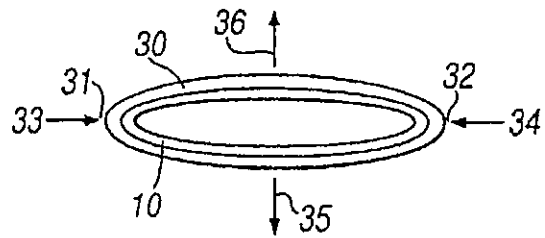


Fig. 8

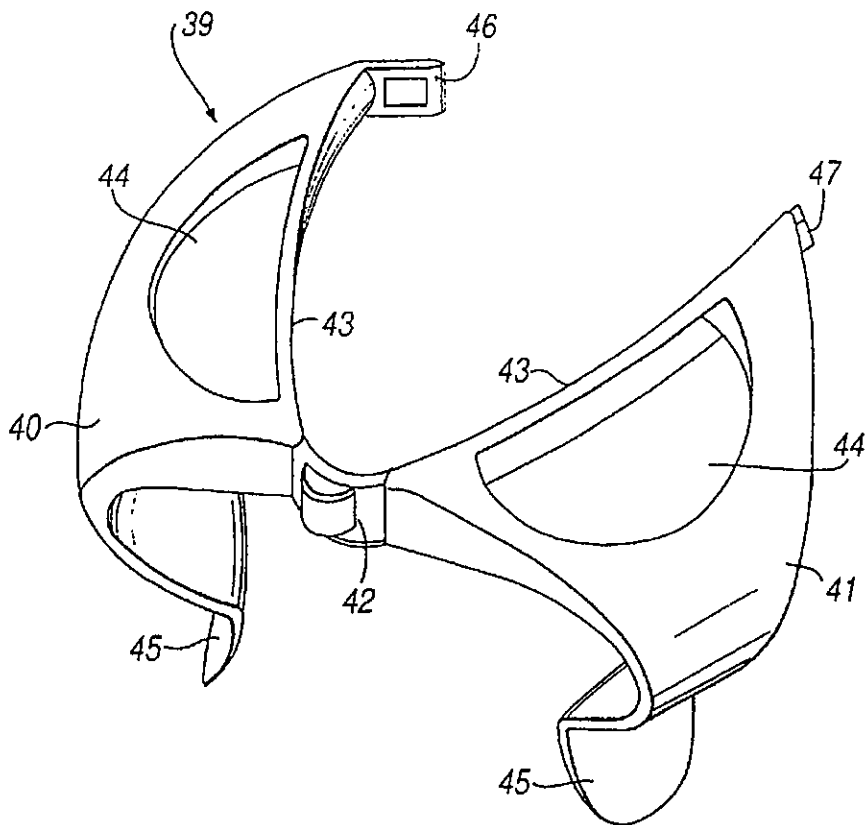


Fig. 9

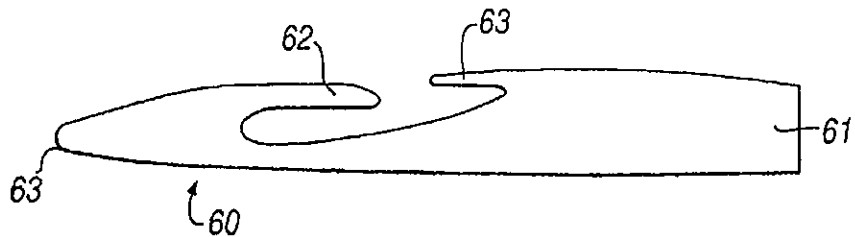


Fig. 12

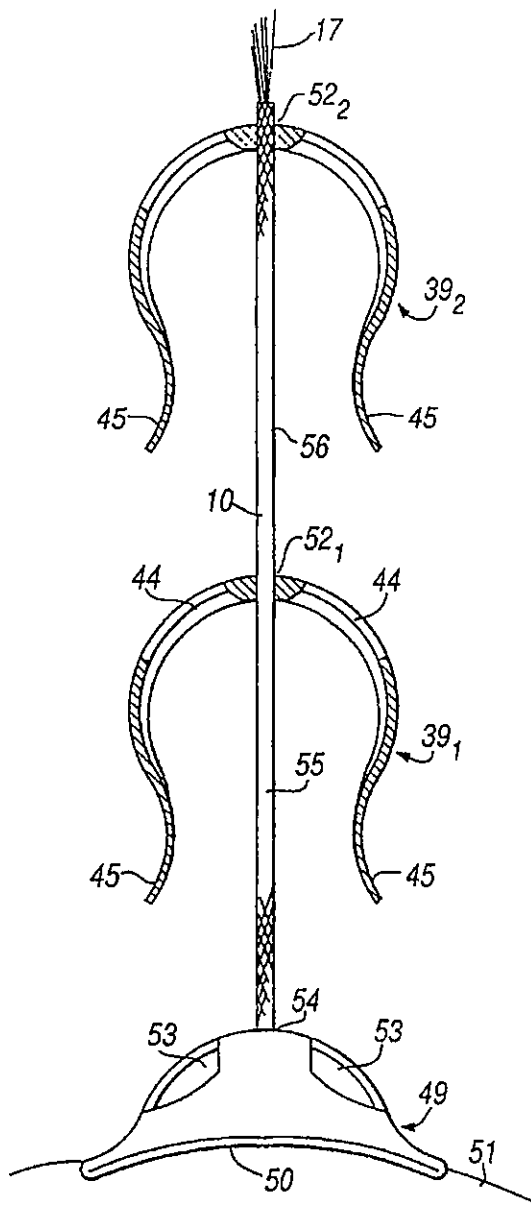


Fig. 10

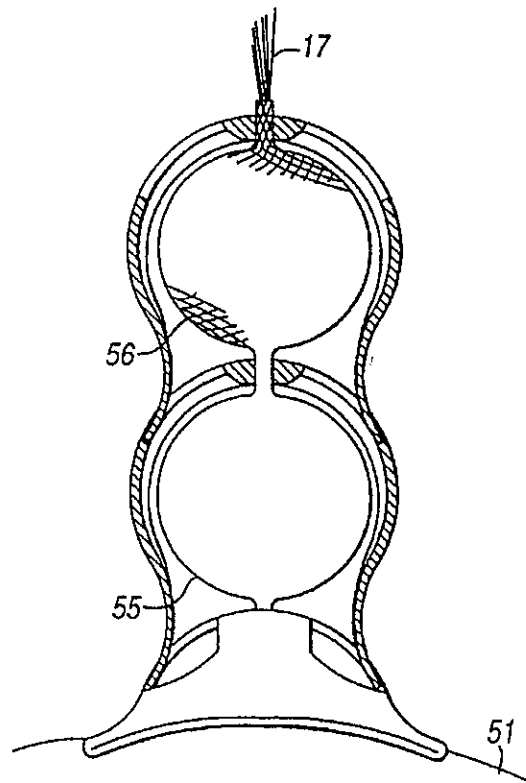


Fig. 11

US 6,647,989 B1

1

HAIR TREATMENT DEVICE AND METHOD

This invention relates to devices for and methods of treatment of hair and in particular to the imparting of a designed form, for example, a wave or curl to a tress of hair.

According to the invention a device for treatment of a tress of hair including a cylindrical tube open at at least one end is characterised in that said tube is formed such that contraction of the tube lengthwise from a first lengthwise state to a second lengthwise state causes a transverse dimension of said tube to increase from a first dimension to a second dimension; and said tube when in the first lengthwise state is manipulable into or preformed in a determined form to impart a desired form to said tress of hair contained within said tube.

According to a second aspect of the invention a method of treatment of a tress of hair is characterised by the steps of: inserting the tress of hair into a cylindrical tube while the tube is in a lengthwise contracted state, said tress of hair extending lengthwise through the tube and said tube having a characteristic property such that a transverse dimension of the tube increases as a lengthwise dimension thereof is decreased;

extending the tube from the contracted state; and

causing the extended tube containing the tress of hair to assume a determined form to impart a desired formation to the tress of hair contained within the tube.

An embodiment of the invention will now be described by way of example with reference to the drawings in which:

FIG. 1 illustrates a tube in a contracted state with a tress of hair extending therethrough,

FIG. 2 illustrates the tube extended from the contracted state with the tress of hair extending therethrough,

FIG. 3 illustrates an initial twisting of the tube,

FIG. 4 illustrates further twisting of the tube,

FIG. 5 illustrates the twisted tube compacted lengthwise,

FIG. 6 illustrates the tube when bent transversely into a concertina state,

FIGS. 7 and 8 illustrate an end of the tube provided with means to engage the end of the tube with a tress of hair contained therein,

FIG. 9 illustrates a device for use with the tube to maintain parts of the tube located relative to a tress of hair,

FIG. 10 illustrates the device of FIG. 9 in combination with the tube, the tube being in an elongate state,

FIG. 11 is similar to FIG. 10 with the tube contracted from the elongate state, and

FIG. 12 illustrates a hook for use with the tube.

Referring first to FIG. 1 of the drawings, a generally cylindrical tube 10 has a wall formed of elements comprising interwoven fibres 11, 12 extending at an angle inclined both to a longitudinal dimension 13 and to a transverse dimension 14 of the tube. As a result of this inclination of the elements, the transverse dimension 14 of the tube is greater when the tube is contracted lengthwise to the longitudinal dimension 13 (see FIG. 1) than the transverse dimension 15 (see FIG. 2) of the tube when in an extended state with a longitudinal dimension 16 as shown in FIG. 2. Accordingly when the tube is in a contracted lengthwise state as shown in FIG. 1, the insertion of a tress of hair 17 into the tube through a first open end 18 thereof, through the tube and out through a second open end 19 thereof is facilitated. When the tube is extended from the contracted state to the extended state shown in FIG. 2 the transverse dimension of the tube decreases and the wall of the tube moves radially inwards to compress the hairs of the tress of hair 17 together.

With the tube in the extended state, the tube is manipulated to a determined form so as to impart a desired form to

2

the tress of hair contained in the tube. In one form of manipulation illustrated by FIG. 3, the tube is flattened and is twisted about a longitudinal axis thereof indicated by broken line 20. The twisting of the tube causes the wall of the tube to flatten from a generally circular transverse section as shown in FIGS. 1 and 2 into a flat oval transverse section as shown in FIG. 3 and as a result the tress of hair contained within the tube is caused to assume a generally helical formation. Twisting of the tube may be continued to a selected extent as shown in FIG. 4 so as to impart a desired amount of twist to the helical formation of the tress of hair. Upon twisting the tube to the selected extent, the twisted tube with the tress of hair contained therein may be compacted lengthwise to a desired extent, and for example the twists of the tube may lie closely together as shown in FIG. 5.

The tress of hair is treated with a liquid hair treatment substance to cause the hair to retain the formation imparted thereto as a result of being contained within the tube and by the twisting of the tube. The treatment of the hair with the liquid treatment substance may be effected prior to or after insertion of the hair into the tube and may be effected before or after twisting of the tube. If the liquid treatment substance is applied after insertion of the hair into the tube, the substance may be applied through interstices between the fibres 11, 12. After a time period during which the substance acts on the hair to cause retention of the formation imparted to the hair, the hair is released from the confines of the tube by withdrawal of the tube from the tress of hair. If it is required, heat may be applied to the hair while the tress of hair is contained within the tube prior to withdrawal of the tube from the tress of hair. The heat may be applied from an external device or the tube may be formed with electrically resistive fibres through which an electric current is passed to generate heat in the wall of the tube.

In the drawings, the tress of hair is shown as extending through and beyond the tube. However it is to be understood that the length of the tube relative to the length of the tress of hair may be such that, when the tube is in the extended state shown in FIG. 2, the tress of hair does not extend out of the end 19 of the tube.

In using the tube in the treatment of a tress of hair, the tress of hair 17 is separated from other hair 21 on a scalp 22 and is drawn through the open end 18 into and through the tube 10. The position of the tube 10 along the length of the tress of hair 17 may then be adjusted such that the open end 18 of the tube lies adjacent the root ends of the hair and the scalp 22. However if desired the tube may be located at any position along the length of the tress of hair 17 in order to treat a selected part of the length of the tress.

As described hereinbefore, the tube has a wall formed of elements comprising interwoven fibres 11, 12 extending at an angle inclined both to a longitudinal dimension 13 and a transverse dimension 14 of the tube. While the wall of the tube may conveniently be formed of interwoven fibres 11, 12, the wall of the tube may be formed in a different manner not using interwoven fibres. For example instead of fibres which are interwoven, the wall may be formed of fibres or other elements which extend across one another and are bonded together at locations at which the fibres or other elements cross one another. The wall of the tube may be formed by bonding fibres or other elements together or the fibres or other elements may be formed integrally in the required bonded relationship for example by a moulding process.

It will be appreciated that as the tube is contracted or extended the angle of inclination of the elements forming the

US 6,647,989 B1

3

wall of the tube changes and causes a corresponding increase or decrease respectively of the transverse dimension of the tube.

The elements forming the wall of the tube are flexible and may be of synthetic plastics material or may be of metal. If desired the elements may be elastic and resiliently extendible. When the wall of the tube is a mesh formed by fibres or other elements bonded together or formed integrally it will be appreciated that the elements or the interconnections between the elements or both the elements and the interconnections therebetween are sufficiently flexible to permit the required contraction and extension of the tube.

While the tube has been described hereinbefore as being of woven or mesh construction, other constructions that result in the transverse dimension of the tube increasing when the tube is contracted from its normal uncontracted state and permit the tube to be manipulated in the desired manner may be utilised.

It will be appreciated that after twisting of the tube, the tube needs to be retained twisted while the treatment substance acts on the hair. Accordingly it is convenient to mount the tube within a holder comprising a first structure secured to the end 18 of the tube and a second structure secured to the end 19 of the tube. The second structure is manually displaceable toward and away from the first structure to permit the tube to be contracted and extended lengthwise respectively. Also the second structure is rotatable relative to the first structure whereby the tube and the tress of hair contained therein may be twisted as described hereinbefore. Preferably means are provided to locate the second structure relative to the first structure in a first position such that the tube is contracted and not twisted and in a second position such that the tube is retained in a twisted condition. Where it is desired to compact the twisted tube containing the tress of hair as described hereinbefore, the second position of the second structure may be the same as the first position but the second structure will have been subjected to at least one rotation to twist the tube. The structure secured to the ends of the tube may be of different diameters whereby one structure may be enter the other structure in a telescoping manner when the tube is urged into the contracted lengthwise state. Also if desired the holder may include additional structures intermediate the first and second structures, and all of the structures may then be constructed to telescope together.

In an alternative manipulation of the tube illustrated in FIG. 6, after insertion of the tress of hair and extension of the tube to its uncontracted state, the tube is flattened and then is subjected to bending about a plurality of axes 23-27 extending transversely of the tube and spaced apart along the length of the tube in at least one direction so that parts 28 of the length of the tube lie adjacent one another in a concertina fashion. The bending of the tube imparts a waved form to the tress of hair contained within the tube. The sharpness of the bends may be chosen such as to produce a desired formation to the tress of hair 17 contained within the tube. The axes 23-27 about which the tube containing the tress of hair is bent may extend perpendicular to the length of the tube and or may be inclined to the length of the tube.

As described hereinbefore, the tube has been described as being of generally circular cross-section and, after insertion of the tress of hair into the tube, the tube is flattened and then manipulated to a final form to impart a desired formation to the tress of hair contained in the tube. However if desired the tube may be preformed to the required final form. Thus where it is desired that the tube has a flattened twisted final form as illustrated in FIGS. 3 or 4, the tube is preformed to

4

a twisted flattened form. Alternatively where it is desired that the tube has a concertina final form as illustrated in FIG. 6, the tube is preformed to this concertina form. Accordingly when it is desired to insert a tress of hair into the tube, initially the preformed tube is deformed to extend substantially linearly and opened into an approximately circular cross section to permit insertion of the tress of hair. Then the tube is released whereupon the tube reverts to the required preformed final form thereby imparting the required formation to the tress of hair contained in the tube.

To facilitate insertion of the tress of hair into the tube 10, as shown in FIGS. 7 and 8, a resilient ring shaped element 30 may be secured respectively to each end of the tube. Normally the ring element is of oval form as shown in FIG. 8 so that the tube 10 has an oval cross section. When it is desired to insert a tress of hair into the tube, the ring element 30 is held between thumb and finger positioned at 31, 32 so that when manual pressure is applied as indicated by arrows 33, 34, the ring opens in the direction of arrows 35, 36 to a circular form as shown in FIG. 7. Upon release of manual pressure on the ring after the tress of hair has been inserted into the tube, the ring reverts to the oval form as shown in FIG. 8.

In yet a further different manipulation of the tube, after insertion of the tress of hair and extension of the tube to its uncontracted state, the tube is subjected to restraint in a transverse direction at one or more locations along the length of the tube to prevent or at least restrict increase of the transverse dimension of the tube when the tube is contracted lengthwise. The tube is then manipulated by contracting the tube lengthwise and thereby causing the wall of the tube to balloon out only in positions where it is not subjected to the restraint. As a result the hairs of the tress of hair are held in close proximity in locations corresponding to those locations at which transverse restraint is applied to the tube and are caused to be confined within lengthwise contracted portions of the tube which bow out to provide regions of increased transverse dimension at each side of the location at which the transverse restraint is applied. Manipulation of the tube in this manner is illustrated in FIGS. 10 and 11 using a restraining device 39 illustrated in FIG. 9.

Referring first to FIG. 9, the restraining device 39 comprises two members 40, 41 hinged together at 42. Each member 40, 41 includes a jaw element 43. Each member 40, 41 is of part spherical form and has an aperture 44 located in an upper part (as seen in FIG. 9) thereof adjacent the jaw element 43. The lower part of each member 40, 41 is provided with a support leg 45. The arrangement of the apertures 44 and support legs 45 is such that restraining devices can be stacked on one another with the legs 45 engaging in the apertures 43 of an adjacent restraining device thereby to locate the restraining devices relative to one another. The member 40 is provided, remote from the hinge 42, with a catch 46. The catch 46 is engageable with a projection 47 on the member 41, when the members 40, 41 are closed together, to maintain the members 40, 41 in the closed position.

FIGS. 10 and 11 illustrate use of two restraining devices 39, 39 together with a scalp device 49 with a tube 10. The scalp device is of similar construction to the restraining devices 39 in that it two jaw elements hinged together and is provided with apertures 53 to be engaged by legs of a restraining element. However instead of support legs, the scalp device 49 is formed at 50 to seat on a scalp 51. When a tress of hair 17 has been inserted into and through the tube 10 with one end of the tube located adjacent the scalp 51, the scalp device 49 is seated on the scalp and is closed to clamp

US 6,647,989 B1

5

the tube, at a location 54 adjacent the end of the tube, and the hair contained therein between the jaw elements of the scalp device. The tube is extended to an elongate state as shown in FIG. 10. The restraining devices 39₁ and 39₂ are located spaced along the length of the tube 10 and then are closed to clamp the tube and the hair contained therein at locations 52₁ and 52₂ respectively. The clamping of the tube and hair by means of the restraining devices 39₁, 39₂ and by the scalp device 49 is effective to prevent displacement in a direction lengthwise of the tube between the hair and the tube at the locations at which the clamping is effected. The restraining devices 39₁ and 39₂ are then displaced manually toward the scalp device to a position as shown in FIG. 11 in which the legs 45 of the device 39₁ engage in apertures 53 of the scalp device 49 and the legs 45 of the device 39₂ engage in the apertures 44 of the device 39₁. As a result of this displacement of the restraining devices, portions 55, 56 of the tube extending between the locations 54, 52₁, and between 52₁, 52₂ respectively are contracted in length and as a result these portions of the tube increase in diameter and balloon outwards as shown in FIG. 11. It will be appreciated that the displacement of the restraining devices not only causes the portions 55, 56 of the tube to be contracted lengthwise but also causes the hair contained in the tube to be contained in a decreased length of tube of increased diameter. Hence, at the locations 54, 52₁, 52₂ the hair is held closely in juxtaposition but between these locations the hairs of the tress are free to move outwards relative to one another and to assume a random form.

The jaw elements of the scalp device 49 and of the restraining devices may be provided with means to enhance the effectiveness of the clamping of the tube and the hair contained therein to prevent displacement in a direction lengthwise of tube of the hair, the tube and the restraining device or scalp device relative to one another. The means to enhance the effectiveness of the clamping may comprise one or more spikes or pins on the jaw elements which enter interstices between the fibres or other elements forming the tube and enter between hairs of the tress of hair contained in the tube.

The scalp device 49 and the restraining devices 39₁, 39₂ may be separate from the tube 10 and applied to the tube during treatment of the tress of hair or is desired on or more of the devices may be secured to the tube at a desired location along the length of the tube.

While examples of determined forms into which the tube may be manipulated or preformed have been disclosed hereinbefore it will be appreciated that the tube may be manipulated into or be preformed to have other determined forms to impart a desired formation to a tress of hair. Accordingly it is to be understood that the invention is not limited to the specific examples that have been disclosed hereinbefore.

Insertion of the tress of hair into the tube is conveniently accomplished by use of a hook on an elongate handle. The hook is passed through the tube until it emerges and then is engaged with the tress of hair. The hook then is withdrawn through the tube thereby drawing the tress of hair into and through the tube. If the tube has been preformed to a determined final form, passage of the hook through the tube will straighten the tube and facilitate subsequent drawing of the tress of hair into and through the tube. However it will be appreciated that the hook should have a form that permits passage of the hook through the tube both during insertion of the hook and during withdrawal of the hook without snagging the mesh of the tube. Accordingly it is preferred to provide a hook having a form illustrated in FIG. 12. The

6

hook 60 is on an elongate handle 61, of which only a part is shown, and has a first tooth 62 extending backwards from a front end 63 of the hook. The first tooth 62 is shaped such that a free end of the tooth extends inwards relative to the outer profile of the hook. In use, a tress of hair is caught under the first tooth to draw the tress of hair into and through the tube. However because the free end of the tooth extends inwardly relative to the outer profile of the hook, the free end is spaced from the mesh of the tube and therefore does not snag the mesh. If desired a second tooth 63 may be provided.

What is claimed is:

1. A device for treatment of a tress of hair including a lengthwise contractible cylindrical tube open at at least one end for containing the tress of hair, said tube being formed such that contraction of the tube lengthwise from a first lengthwise state to a second lengthwise state causes a transverse dimension of said tube to increase from a first dimension to a second dimension, the tube being resiliently spring biased toward a preformed state in which the tube is one of the flattened and twisted about a longitudinal axis thereof and bent about at least one axis extending transversely to the longitudinal axis so that the cylindrical shape of the tube is distorted so as to impart a desired form to said tress of hair contained within said tube during use, the tube being resiliently manipulable from said preformed state into said cylindrical shape.

2. A device as claimed in claim 1, wherein the tube has a wall comprising interwoven fibres inclined to the length of the tube.

3. A device as claimed in claim 1, wherein the tube has a wall comprising elements interconnected in a mesh formation, said elements being inclined to the length of the tube.

4. A device as claimed in claim 1, wherein in the determined form the tube is of oval cross section and has a twist about a lengthwise axis of the tube.

5. A device as claimed in claim 1, further comprising at least one electrically resistive element extending through a wall of the tube and heatable by passage of electric current.

6. Apparatus for treatment of a tress of hair including a lengthwise contractible cylindrical tube open at at least one end and being formed such that contraction thereof lengthwise from a first lengthwise state to a second lengthwise state causes a transverse dimension of the tube to increase from a first dimension to a second dimension, said tube when in the first lengthwise state being manually preformable into a determined form to impart a desired form to the tress of hair contained within the tube, and further including first and second means for locating respectively at desired first and second locations at a first spacing along the length of the tube and operable to prevent at each of said first and second locations lengthwise displacement of a tress of hair relative to the tube, and means to secure said first and second means relative to one another such that the first and second locations are spaced at a second spacing less than said first spacing thereby causing the tube between said locations to increase to said second transverse dimension.

7. Apparatus as claimed in claim 6, wherein the first and second means each include a pair of jaw elements hinged together and movable into a closed position in which the tube and hair contained therein are restrained between and by the jaw elements of the pair.

8. Apparatus as claimed in claim 6, wherein the first means is engageable with the second means to secure the first and second means relative to one another.

9. A method of treatment of a tress of hair, comprising the steps of: inserting the tress of hair into a lengthwise con-

US 6,647,989 B1

7

tractible cylindrical tube while the tube is in a lengthwise contracted state, said tress of hair extending lengthwise through the tube and said tube having a characteristic property such that a transverse dimension of the tube increases as a lengthwise dimension thereof is decreased; extending the tube from the contracted state; and causing the extended tube containing the tress of hair to assume a determined form to impart a desired formation to the tress of hair contained with the tube.

10. A method as claimed in claim 9, wherein the extended tube containing the tress of hair is caused to assume the determined form by manipulating the tube to the determined form.

11. A method as claimed in claim 9, wherein the extended tube is preformed to the determined form and the tube is deformed from the determined form in the step of inserting the tress of hair to extend through the tube, and permitting the tube containing the tress of hair to return to the determined form after insertion of the tress of hair into the tube.

12. A method as claimed in claim 9, including the step, after insertion of the tress of hair into the tube and with the

8

tube extended, of applying restraint to the tube at spaced locations to prevent relative displacement of the hair and the tube in a direction lengthwise of the tube at said spaced locations and then decreasing the spacing of the locations to contract the tube lengthwise between the spaced locations.

13. A hair engaging hook constructed for use with a hair treatment device including a lengthwise contractible cylindrical tube open at at least one end, said tube being formed such that contraction of the tube lengthwise from a first lengthwise state to a second lengthwise state causes a transverse dimension of said tube to increase from a first dimension to a second dimension; and said tube when in the first lengthwise state being manually preformable into a determined form to impart a desired form to said tress of hair contained within said tube, including a hook member having an outer profile and a hair engaging tooth having a free end extending inwards from the outer profile.

* * * * *

EXHIBIT B

CARTER LEDYARD & MILBURN LLP
Counselors at Law

Rose Auslander
Partner

Direct Dial: 212-238-8601
E-mail: auslander@clm.com

2 Wall Street
New York, NY 10005-2072

Tel (212) 732-3200
Fax (212) 732-3232

570 Lexington Avenue
New York, NY 10022-6856
(212) 371-2720

April 1, 2014

**BY EXPRESS MAIL AND EMAIL TO PATENTS@AMAZON.COM
AND FAX (206) 266-7010**

Scott Stanford
Senior Corporate Counsel, Patents
Amazon.com Legal Department
PO Box 81226
Seattle, WA 98108-1226

Re: Infringement of Curlformers U.S. Patent Owned by Hair Flair Ltd.
(Our Ref: HAI05 001)

Dear Amazon.com Legal Department:

We write on behalf of Hair Flair Ltd. to put you on notice of patent infringing products being sold through Amazon.com. Hair Flair owns U.S. Patent No. 6,647,989, issued Nov. 18, 2003 and directed to a "Hair Treatment Device and Method" sold by Hair Flair as its CURLFORMERS product. CURLFORMERS brand hair curlers are widely used in the USA, by women, mothers with children, cheerleaders, and others who want to curl their hair (or their childrens' hair), without damaging it by using curling irons. Hair Flair previously put Amazon.com on notice of this infringement through Amazon's website on March 5, 2013, and was informed that it should send notices of infringement directly to the infringing sellers. (*See* .pdf copies of emails of March 5 and 7, 2013, attached as Exhibit A.) It has done so, but a number of the infringing sellers have refused to voluntarily cease selling infringing hair curler products.

Hair Flair now asks Amazon.com to remove the infringing listings directly and to block the infringing sellers from selling any other infringing hair curler products. We also ask Amazon.com to screen future listings of hair curler products to block those that meet the below description of the non-genuine products.

Non-Genuine Listings of hair curler products on Amazon.com

The worst offenders in terms of listing non-genuine hair curlers known to Hair Flair are listed below. The Amazon ASIN for each product is included in the URL. Each is fulfilled by Amazon.com (the Excel spreadsheet attached as Exhibit B contains a complete current list):

Scott Stanford

2

http://www.amazon.com/Vakind-Curler-Ringlets-Leverage-Stretched/dp/B009HULKLW/ref=sr_1_1?ie=UTF8&qid=1391597500&sr=8-1&keywords=curlformers (sold by VegasWind)

http://www.amazon.com/Vakind-Stretched-Formers-Ringlets-Leverage/dp/B009HULDYG/ref=sr_1_2?ie=UTF8&qid=1391597500&sr=8-2&keywords=curlformers (sold by HappyELife)

http://www.amazon.com/MelodySusie-Quality-Fashion-Curlformer-harmless/dp/B008FIH4IK/ref=sr_1_3?ie=UTF8&qid=1391597500&sr=8-3&keywords=curlformers (sold by Hotsale Mall)

http://www.amazon.com/FORMERS-NARROW-SPIRAL-CURLERS-ROLLERS/dp/B008A3B6J8/ref=sr_1_5?ie=UTF8&qid=1391597500&sr=8-5&keywords=curlformers (sold by OceanPlace)

Genuine CURLFORMERS products are sold on Amazon.com by Hair Flair Ltd and the orders are fulfilled by Amazon. The only other authorized seller of genuine CURLFORMERS products on Amazon.com is Sally Beauty Supply. The majority of unauthorized copies include in their convoluted product descriptions the words "Magic Leverag(e)", "Vakind Curlers" and, quite frequently, unauthorized use of the mark "CURLFORMERS." Other characteristics are that the unauthorized copies are usually presented either in clear polypropylene bags, or in cardboard boxes with a window panel. Significantly, the manufacturers' names and addresses never appear on the packaging.

For reference, here are the URLs of the genuine CURLFORMERS products sold by Hair Flair and fulfilled by Amazon.com (the URLs contain the ASIN of each product):

http://www.amazon.com/Curlformers-Extra-Long-Wide-Styling/dp/B006E4OTTO/ref=sr_1_6?ie=UTF8&qid=1392300343&sr=8-6&keywords=curlformers

http://www.amazon.com/Hair-Flair-Long-Wide-Curlformers/dp/B003JMYTXA/ref=pd_sim_hpc_5

http://www.amazon.com/Hair-Flair-Curlformers-Long-Narrow/dp/B003JMYTYO/ref=pd_sim_hpc_2

http://www.amazon.com/Hair-Flair-Curlformers-Short-Narrow/dp/B003JN314W/ref=pd_sim_hpc_2

http://www.amazon.com/Genuine-Patented-Short-Spiral-Starter/dp/B003JN0WLW/ref=pd_sbs_bt_6

http://www.amazon.com/Extra-Wide-and-Long-Curlformers/dp/B003JN0WQC/ref=pd_sim_sbs_hpc_21

http://www.amazon.com/Curlformers-Extra-Wide-Long-Styling/dp/B006YQM0ZM/ref=pd_sim_sbs_bt_2

http://www.amazon.com/Genuine-Patented-Curlformers-Spiral-Styling/dp/B00EEB62AI/ref=pd_sim_sbs_hpc_29

http://www.amazon.com/Curlformers-Long-Wide-Piece-Styling/dp/B006YQM1T2/ref=pd_sim_sbs_hpc_25

Scott Stanford

3

http://www.amazon.com/Genuine-Patented-Curlformers-Corkscrew-Styling/dp/B006YQM1FG/ref=pd_sbs_hpc_19

http://www.amazon.com/Geniune-Patented-Curlformers-Corkscrew-Styling/dp/B006YQM2AK/ref=pd_sim_sbs_hpc_8

Patent Infringement analysis

As can be seen from the pictures associated with the genuine and unauthorized infringing products, all of the unauthorized hair curler products have the same mechanical structure and appearance as genuine CURLFORMERS products. A lengthwise contractible cylindrical tube is resiliently spring biased toward a preformed state in which the tube is flattened and twisted about a longitudinal axis. A tress of usually damp hair is drawn through the tube using a hook and then the tube is released, such that the hair is curled when dry. All of the infringing hair curler products are also sold with an infringing hook as well.

Claims 1-4 and 13 of the '989 patent cover:

1. A device for treatment of a tress of hair including a lengthwise contractible cylindrical tube open at at least one end for containing the tress of hair, said tube being formed such that contraction of the tube lengthwise from a first lengthwise state to a second lengthwise state causes a transverse dimension of said tube to increase from a first dimension to a second dimension, the tube being resiliently spring biased toward a preformed state in which the tube is one of the flattened and twisted about a longitudinal axis thereof and bent about at least one axis extending transversely to the longitudinal axis so that the cylindrical shape of the tube is distorted so as to impart a desired form to said tress of hair contained within said tube during use, the tube being resiliently manipulable from said preformed state into said cylindrical shape.
2. A device as claimed in claim 1, wherein the tube has a wall comprising interwoven fibres inclined to the length of the tube.
3. A device as claimed in claim 1, wherein the tube has a wall comprising elements interconnected in a mesh formation, said elements being inclined to the length of the tube.
4. A device as claimed in claim 1, wherein in the determined form the tube is of oval cross section and has a twist about a lengthwise axis of the tube.
13. A hair engaging hook constructed for use with a hair treatment device including a lengthwise contractible cylindrical tube open at at least one end, said tube being formed such that contraction of the tube lengthwise from a first lengthwise state to a second lengthwise state causes a transverse dimension of said tube to increase from a first dimension to a second dimension; and said tube when in the first lengthwise state being manually preformable into a determined form to impart a desired form to said tress of hair contained within said tube, including a hook member having an outer profile and a hair engaging tooth having a free end extending inwards from the outer profile.

Scott Stanford

4

As can be seen, all of the infringing hair curler products infringe at least claim 1 of the '989 patent, because they are each a device for treatment of a tress of hair including a lengthwise contractible cylindrical tube open at at least one end for containing the tress of hair, said tube being formed such that contraction of the tube lengthwise from a first lengthwise state to a second lengthwise state causes a transverse dimension of said tube to increase from a first dimension to a second dimension, the tube being resiliently spring biased toward a preformed state in which the tube is one of the flattened and twisted about a longitudinal axis thereof and bent about at least one axis extending transversely to the longitudinal axis so that the cylindrical shape of the tube is distorted so as to impart a desired form to said tress of hair contained within said tube during use, the tube being resiliently manipulable from said preformed state into said cylindrical shape.

In addition, they infringe claim 2, because the tube of the product has a wall comprising interwoven fibres inclined to the length of the tube. They infringe claim 3, because the tube has a wall comprising elements interconnected in a mesh formation, said elements being inclined to the length of the tube. Likewise, they infringe claim 4, as the determined form the tube is of oval cross section and has a twist about a lengthwise axis of the tube.

In addition, all of the infringing curl former products are sold with a hair engaging hook that infringes claim 13, which is constructed for use with a hair treatment device including a lengthwise contractible cylindrical tube open at at least one end, said tube being formed such that contraction of the tube lengthwise from a first lengthwise state to a second lengthwise state causes a transverse dimension of said tube to increase from a first dimension to a second dimension; and said tube when in the first lengthwise state being manually preformable into a determined form to impart a desired form to said tress of hair contained within said tube, including a hook member having an outer profile and a hair engaging tooth having a free end extending inwards from the outer profile.

This letter puts you on actual notice of the infringing listings on Amazon.com, each of which induces infringement of the '989 patent within the meaning of 35 U.S.C. 271(b). In earlier correspondence with Hair Flair (copy enclosed), you took the position that Amazon.com could not be liable for infringement because it offers a service and is merely a "bailee," citing *Pharmastem Therapeutics, Inc. v. Viacell, Inc.*, 2007 U.S. App. LEXIS 16245.

This analysis is incorrect, for at least the reasons explained by counsel for Zipbuds in the letter attached as Exhibit 3 to the Complaint filed against Amazon.com in *Zipbuds, LLC v. Amazon.com, Inc.*, CASD, 13 CV 2967 GPC KSC. (Copy of letter attached as **Exhibit C.**) Simply put, Amazon is not a "bailee" because the infringing curl former products in question are not to be returned to the sellers of the products. Rather, Amazon takes possession of the products as an agent of the seller for the purpose of delivering them to a new buyer, after receiving payment for the products on behalf of the seller. And, Amazon is liable for direct infringement under 35 U.S.C. 271(a) because it is plainly "offering for sale" infringing products. That Amazon may not have legal title to the infringing product it is offering for sale is immaterial.

Scott Stanford

5

Safety Risks Associated with non-Genuine Hair Curler Products

Hair Flair noticed last year that when one opened the boxes (or plastic bags) containing unauthorized hair curling products, they often gave off a very unpleasant smell. A typical comment from a reviewer of Vakind Curlers, for instance, is:

“They had a weird chemical odor that lingered for a few days, even after a soak in a strong Dr. Bronner's Peppermint soap bath. Be wise and air them out or bathe them before 1st use. I have no idea what residue was on them.”

This led Hair Flair to commission Intertek, an internationally respected testing laboratory in Hong Kong, to test a number of unauthorized products and genuine Curlformers hair curlers for the presence of (potentially) toxic substances in the hair former products and styling hooks of each of the products. The hair curler products of virtually all the unauthorized products were found to contain phthalates (which are considered by safety regulators to be SVHC's, “Substances of Very High Concern”) at levels that greatly exceeded EU REACH Regulations for products which are used on or by children. Genuine Curlformers passed all the tests, however.

The URLs and ASINs of two typical infringing products containing phthalates are as follows:

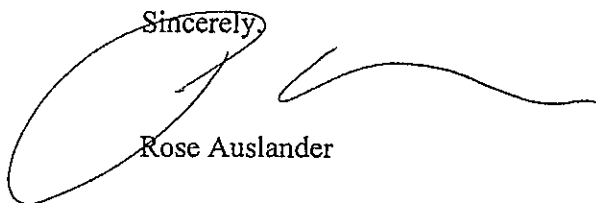
http://www.amazon.com/Multi-colored-Magic-Leverag-Curlers-Spiral/dp/B00H1O73SU/ref=sr_1_108?ie=UTF8&qid=1389660625&sr=8108&keywords=curlformers (sold and made by Rondaful)

http://www.amazon.com/Vakind-Curler-Ringlets-Leverage-Stretched/dp/B009HULKLW/ref=sr_1_1?ie=UTF8&qid=1389659456&sr=8-1&keywords=curlformers (sold by Happy GoGo and make by Vakind)

Demand for Action

Accordingly, Hair Flair hereby demands that Amazon remove from its online store all of the infringing curl former products identified in the attached Excel spreadsheet. Continued sale despite notice would put Amazon at enhanced risk for liability. Hair Flair also asks that Amazon institute an automatic screening system that will block unauthorized and infringing copies of genuine CURLFORMER products from being listed for sale.

Sincerely,



Rose Auslander

RA:hcu

cc: John M. Griem, Jr.

EXHIBIT A

----- Forwarded message -----

From: **patents** <patents@amazon.com>

Date: 2013-03-07 4:46 GMT+01:00

Subject: Notice of Alleged Infringement by Third Party Seller(s)

To: "nicolas.malet@hairflairltd.com" <nicolas.malet@hairflairltd.com>

Dear Sir or Madam,

We are responding to the following notice letter regarding your allegation that particular products shown on the Amazon.com web site infringe patent(s) owned by Hair Flair Ltd.

As you can see from the respective detail pages on the Amazon.com web site, these products are offered for sale by various third parties. Amazon.com provides a service through which others may sell their goods, but Amazon.com does not "own" the goods. The goods remain the property of the seller until title passes to the buyer. Even in the rare instances when Amazon.com may physically handle a product, it is as a bailee rather than as an owner. As such, Amazon.com cannot be considered an infringer. (See e.g., *Pharmastem Therapeutics, Inc. v. Viacell, Inc.*, 2007 U.S. App. LEXIS 16245.)

We believe that this type of matter is better dealt with directly by the patent holder and either the manufacturer or seller of the goods, and so we encourage you to contact them directly. From the detail page of the product in question, select the seller's name in the line: "**Ships from and sold by <Seller>**." Selecting the seller's name will direct you to the seller's storefront where you can directly contact the seller by selecting the "**Contact the seller**" link located toward the bottom right of the page.

Sincerely,

Emily Lewis on behalf of

Scott Sanford

Senior Corporate Counsel, Patents

Emily Lewis | Patent Paralegal | Amazon
E: patents@amazon.com

Requester Details

(reporting as agent)

Alexandra Malet

Hair Flair Ltd

30 ADDISCOMBE GROVE

CROYDON, CR95AY

United Kingdom

nicolas.malet@hairflairltd.com

0033622533625

ASINs Details

1.

ASIN: **B008G43216** (18pcs Hair Rollers Snail Rolls Styling Curler Tools, Easy At Home DIY Natural Way)
(<http://www.amazon.com/gp/product/B008G43216>)

Submission: amazon.com on Mon, 04 Mar 2013 23:50:46 GMT

Reason: Other on Product

Brand Infringed: Curlformers

Requester Comments: This product is a counterfeit of the patented product, called Curlformers, under US patent number 6,647,989.

This patent belongs to Hair Flair Ltd.

Sellers Involved: La Demoiselle (id: 1662241641), FOREVER GOOD STUFF INC (id: 788228080), GR8-price (id: 8056531505), Emily Store (id: 1143940986), a-100 (id: 8981760205)

2.

ASIN: **B003YTMG5Q** (Hair Rollers - high-speed changing hair curlers Styling Rollers (16 Hair Rollers)) (<http://www.amazon.com/gp/product/B003YTMG5Q>)

Submission: [amazon.com](http://www.amazon.com) on Mon, 04 Mar 2013 23:53:47 GMT

Reason: Other on Product

Brand Infringed: Curlformers

Requester Comments: This product is a counterfeit of the patented product, Curlformers, under US Patent number 6,647,989.

This patent belongs to Hair Flair Ltd.

Sellers Involved: WSWS LLC (id: 1402442601)

3.

ASIN: **B009HULINW** (Vakind Pro Stretched Length 19 Inch Magic Leverage Spiral Ringlets Former Hair Rollers Curlers Pack of 24) (<http://www.amazon.com/gp/product/B009HULINW>)

Submission: [amazon.com](http://www.amazon.com) on Mon, 04 Mar 2013 23:48:13 GMT

Reason: Other on Product

Brand Infringed: Curlformers

Requester Comments: This product Magic Leverag is a counterfeit of the patented product called Curlformers, the US patent number being 6,647,989 Sellers Involved: Vktech (id: 462541597)

----- Forwarded message -----

From: notice@amazon.com <notice@amazon.com>

Date: 2013-03-05 0:50 GMT+01:00

Subject: We Have Received Your Infringement Complaint about B008G43216 18pcs Hair Rollers Snail Rolls Styling Curler Tools, Easy At Home DIY Natural Way

To: "nicolas.malet@hairflairltd.com" <nicolas.malet@hairflairltd.com>

Hello from Amazon.

Thank you for your report. Amazon respects the intellectual property of others and requires sellers posting information on our site do the same.

Our investigations team reviews all reports; we will notify you by email when we have completed our review.

Best regards,
Seller Performance
Amazon.com
<http://www.amazon.com>

Date: 2013-03-05 0:54 GMT+01:00

Subject: We Have Received Your Infringement Complaint about B003YTMG5Q Hair Rollers - high-speed changing hair curlers Styling Rollers (16 Hair Rollers)

To: "nicolas.malet@hairflairltd.com" <nicolas.malet@hairflairltd.com>

Hello from Amazon.

Thank you for your report. Amazon respects the intellectual property of others and requires sellers posting information on our site do the same.

Our investigations team reviews all reports; we will notify you by email when we have completed our review.

Best regards,
Seller Performance
Amazon.com
<http://www.amazon.com>

----- Forwarded message -----

From: notice@amazon.com <notice@amazon.com>

Date: 2013-03-05 0:48 GMT+01:00

Subject: We Have Received Your Infringement Complaint about B009HULINW Vakind Pro Stretched Length 19 Inch Magic Leverage Spiral Ringlets Former Hair Rollers Curlers Pack of 24

To: "nicolas.malet@hairflairltd.com" <nicolas.malet@hairflairltd.com>

Hello from Amazon.

Thank you for your report. Amazon respects the intellectual property of others and requires sellers posting information on our site do the same.

Our investigations team reviews all reports; we will notify you by email when we have completed our review.

Best regards,
Seller Performance

EXHIBIT B

Sold By & Seller Information	Product URL	Fulfilled By Amazon
VegasWind / Vakind	http://www.amazon.com/Vakind-Curler-Ringlets-Leverage-Stretched/dp/B009HUKLWU/ref=sr_1_17?ie=UTF8&qid=1395845167&sr=8-1&keywords=curiformers	Yes
Houseweety	http://www.amazon.com/Vakind-Stretched-Formers-Ringlets-Leverage/dp/B009HULDTG/ref=sr_1_2?ie=UTF8&qid=1395845288&sr=8-2&keywords=curiformers	Yes
Gym / MelodySusie	http://www.amazon.com/MelodySusie-Quality-Fashion-Curiformer-hairless/dp/B008F1H4IK/ref=sr_1_3?ie=UTF8&qid=1395845322&sr=8-3&keywords=curiformers	Yes
eRiver / MelodySusie	http://www.amazon.com/FORMERS-NARROW-SPIRAL-CURLERS-ROLLERS/dp/B0084376KG/ref=sr_1_4?ie=UTF8&qid=1395845404&sr=8-4&keywords=curiformers	Yes
HQdear / HollyHorse	http://www.amazon.com/MelodySusie-Quality-Fashion-Curiformer-hairless/dp/B008H8P8EB/ref=sr_1_5?ie=UTF8&qid=1395845434&sr=8-5&keywords=curiformers	Yes
Winstonia / AToshin	http://www.amazon.com/FORMERS-NARROW-SPIRAL-CURLERS-ROLLERS/dp/B008A3B6J8/ref=sr_1_6?ie=UTF8&qid=1395845467&sr=8-6&keywords=curiformers	Yes
winwinzonec	http://www.amazon.com/18pcs-Rollers-Styling-Curler-Natural/dp/B008G43Z16/ref=sr_1_8?ie=UTF8&qid=1395845518&sr=8-8&keywords=curiformers	No
TSSS / HappyLife	http://www.amazon.com/Curiformers-Magic-Leverage-Spiral-Curlers/dp/B008JH0UJG/ref=sr_1_11?ie=UTF8&qid=1395845592&sr=8-11&keywords=curiformers	Yes
metymall66	http://www.amazon.com/TSSS-Curler-Ringlets-Leverage-Stretched/dp/B00H06EU4G/ref=sr_1_12?ie=UTF8&qid=1395845638&sr=8-12&keywords=curiformers	No
Metro Fulfillment House	http://www.amazon.com/Hair-Rollers-High-speed-changing-curlers/dp/B003YT1M5GQ/ref=sr_1_13?ie=UTF8&qid=1395845711&sr=8-13&keywords=curiformers	Yes
HQdear / OceanPlace	http://www.amazon.com/MelodySusie-Quality-Fashion-Curiformer-hairless/dp/B009226EUC/ref=sr_1_14?ie=UTF8&qid=1395845773&sr=8-14&keywords=curiformers	No
Asilk / eacccmall	http://www.amazon.com/Vktech-Curler-Formers-Spiral-Ringlets/dp/B008H86CKI/ref=sr_1_15?ie=UTF8&qid=1395845805&sr=8-15&keywords=curiformers	Yes
Houseweety / VanMore	http://www.amazon.com/Asilk-Stretched-diameter-High-speed-Curiformers/dp/B00CP093HK/ref=sr_1_16?ie=UTF8&qid=1395845852&sr=8-16&keywords=curiformers	No
Asilk / eacccmall	http://www.amazon.com/Stretched-Leverage-Ringlets-Rollers-Curlers/dp/B009HULJUNW/ref=sr_1_17?ie=UTF8&qid=1395845898&sr=8-17&keywords=curiformers	Yes
Vakind / Wellness Corps	http://www.amazon.com/Asilk-Warranty-Ringlets-Leverage-high-speed/dp/B00CP6NV6Z/ref=sr_1_23?ie=UTF8&qid=1395846017&sr=8-23&keywords=curiformers	No
MelodySusie / MelodySusie Direct	http://www.amazon.com/Vakind-Stretched-Leverage-Ringlets-Formers/dp/B009HULDDM/ref=sr_1_24?ie=UTF8&qid=1395846051&sr=8-24&keywords=curiformers	Yes
Hair Curlers / eacccmall	http://www.amazon.com/MelodySusie-Quality-Fashion-Curiformer-Glamour/dp/B00G2G48R0/ref=sr_1_30?ie=UTF8&qid=1395846083&sr=8-30&keywords=curiformers	No
Hair Curlers / eacccmall	http://www.amazon.com/Stretched-Hair-Curiformer-Curling-Styling/dp/B00C7WAMEI/ref=sr_1_31?ie=UTF8&qid=1395846131&sr=8-31&keywords=curiformers	Yes
Asilk / eacccmall	http://www.amazon.com/Stretched-Hair-Curiformer-High-speed-Changeing/dp/B00C4ZGL8/ref=sr_1_32?ie=UTF8&qid=1395846167&sr=8-32&keywords=curiformers	No
Agile Tech / NuCELL skin solution	http://www.amazon.com/Asilk-Stretched-High-speed-Curiformers/dp/B00C89HPEY/ref=sr_1_33?ie=UTF8&qid=1395846192&sr=8-33&keywords=curiformers	No
Asilk / eacccmall	http://www.amazon.com/Leverage-Rollers-Curler-Spiral-Ringlets/dp/B009RDTN0G/ref=sr_1_34?ie=UTF8&qid=1395846238&sr=8-34&keywords=curiformers	Yes
Houseweety	http://www.amazon.com/Asilk-Stretched-High-speed-Changeing-Curiformers/dp/B00C4AR1NG/ref=sr_1_36?ie=UTF8&qid=1395846301&sr=8-36&keywords=curiformers	Yes
Asilk / eacccmall	http://www.amazon.com/Housweety-Styling-Formers-Leverage-Rollers/dp/B00D5K79IS/ref=sr_1_37?ie=UTF8&qid=1395846323&sr=8-37&keywords=curiformers	No
Houseweety	http://www.amazon.com/Housweety-Curiformers-Long-Styling-Curiformer/dp/B00E3U5X3Z/ref=sr_1_44?ie=UTF8&qid=1395846381&sr=8-44&keywords=curiformers	Yes
ShopToday	http://www.amazon.com/Rollers-Curler-Spiral-Ringlets-Styling/dp/B00H16Z9UQ/ref=sr_1_48?ie=UTF8&qid=1395846415&sr=8-48&keywords=curiformers	No
Rondaful	http://www.amazon.com/Asilk-Stretched-High-speed-Changeing-Curiformers/dp/B00C7WAMEI/ref=sr_1_51?ie=UTF8&qid=1395846450&sr=8-51&keywords=curiformers	Yes
Asilk / eacccmall	http://www.amazon.com/Asilk-Stretched-High-speed-Changeing-Curiformers/dp/B00CP7XCCQ/ref=sr_1_56?ie=UTF8&qid=1395846493&sr=8-56&keywords=curiformers	No
Asilk / eacccmall	http://www.amazon.com/Multi-colored-Magic-Leverage-Curlers-Spiral/dp/B00H0U73SU/ref=sr_1_61?ie=UTF8&qid=1395846493&sr=8-61&keywords=curiformers	No
beautyfamily	http://www.amazon.com/Asilk-Stretched-Changeing-Curiformers/dp/B00C6Q0BF0/ref=sr_1_62?ie=UTF8&qid=1395846548&sr=8-62&keywords=curiformers	No
Hair Curlers	http://www.amazon.com/beautyfamily-20900-Hair-Curlers-Curiformer-Curling-Rollers/dp/B00DP49D64/ref=sr_1_63?ie=UTF8&qid=1395846567&sr=8-63&keywords=curiformers	No
RD / Joyshopper	http://www.amazon.com/Stretched-High-speed-Hair-Curlers-Curiformers/dp/B0006U6D02/ref=sr_1_65?ie=UTF8&qid=1395846591&sr=8-65&keywords=curiformers	No
Vakind / So Beauty	http://www.amazon.com/High-speed-Changeing-Curlers-CellPhone-Anti-Dust/dp/B008D5Q08U/ref=sr_1_69?ie=UTF8&qid=1395846622&sr=8-69&keywords=curiformers	No
Asilk / eacccmall	http://www.amazon.com/Vakind-Stretched-Formers-Ringlets-Leverage/dp/B009HUKU1G/ref=sr_1_74?ie=UTF8&qid=1395846664&sr=8-74&keywords=curiformers	Yes
Brightdeal	http://www.amazon.com/Asilk-High-speed-Changeing-Curiformers-Stretched/dp/B00C4PXWU/ref=sr_1_75?ie=UTF8&qid=1395846730&sr=8-75&keywords=curiformers	No
metymall66	http://www.amazon.com/Vakind-Curles-Formers-Spiral-Ringlets/dp/B0004XUR64/ref=sr_1_83?ie=UTF8&qid=1395846807&sr=8-83&keywords=curiformers	No
Hair Curlers / eacccmall	http://www.amazon.com/Multi-colored-Magic-Leverage-Curlers-Spiral/dp/B00H0073SU/ref=sr_1_91?ie=UTF8&qid=1395846832&sr=8-91&keywords=curiformers	No
Angel Of USA / Easybuystore	http://www.amazon.com/Stretched-Hair-Curlers-High-speed-Changeing/dp/B00CGXJ364/ref=sr_1_91?ie=UTF8&qid=1395846832&sr=8-91&keywords=curiformers	No
Vakind / FEINHE US	http://www.amazon.com/Leverage-Curler-Spiral-Ringlets-Rollers/dp/B009RDTN0U/ref=sr_1_92?ie=UTF8&qid=1395846864&sr=8-92&keywords=curiformers	No
Brightdeal	http://www.amazon.com/Vakind-Stretched-Leverage-Ringlets-Formers/dp/B009HULJUNW/ref=sr_1_95?ie=UTF8&qid=1395846900&sr=8-95&keywords=curiformers	No
	http://www.amazon.com/Vktech-Curler-Formers-Ringlets-Rose-carbine/dp/B008H82U0E/ref=sr_1_96?ie=UTF8&qid=1395846947&sr=8-96&keywords=curiformers	No

Hair Curlers / eacccmail	http://www.amazon.com/Stretched-Hair-Rollers-High-Speed-Changing/dp/B00C427DFO/ref=sr_1_1007ie=UTF8&qid=1395846988&s=8-100&keywords=curiformers	No
Hair Rollers / eacccmail	http://www.amazon.com/Asiilk-Hair-Rollers-High-Speed-Changing/dp/B00C48KVJ8/ref=sr_1_1017ie=UTF8&qid=1395847066&s=8-101&keywords=curiformers	No
Shoptoday	http://www.amazon.com/Rollers-Curler-Spiral-Ringlets-Styling/dp/B0012Z31TO/ref=sr_1_1037ie=UTF8&qid=1395847042&sr=8-103&keywords=curiformers	No
HappyElife	http://www.amazon.com/HappyElife-Stretched-Formers-Ringlets-Leverage/dp/B001536HDC/ref=sr_1_1047ie=UTF8&qid=1395847064&s=8-104&keywords=curiformers	No
2 Tone Family	http://www.amazon.com/Tone-Family-20099-Curlers-Rollers/dp/B00H6YBXOG/ref=sr_1_1057ie=UTF8&qid=1395847088&s=8-105&keywords=curiformers	No
Kaigell / Kaigell518	http://www.amazon.com/Multi-colored-Magic-Leverage-Spiral/dp/B00H1NVMF6/ref=sr_1_1117ie=UTF8&qid=1395847112&sr=8-111&keywords=curiformers	No
Fenheus	http://www.amazon.com/Fenheus-Curler-Leverage-Formers-Ringlets/dp/B00F5UZYLA/ref=sr_1_1127ie=UTF8&qid=1395847152&sr=8-112&keywords=curiformers	No
Vakind / KIKIBO	http://www.amazon.com/Happyville-Curler-Former-Leverage-Stretched/dp/B002XG54Y/ref=sr_1_1147ie=UTF8&qid=1395847179&sr=8-114&keywords=curiformers	No
Housweety	http://www.amazon.com/Vakind-Curler-Ringlets-Leverage-Stretched/dp/B009HULKLV/ref=sr_1_117ie=UTF8&qid=1395847289&sr=8-117&keywords=vakind	Yes
TSSS / Happy GoGo	http://www.amazon.com/Vakind-Stretched-Formers-Ringlets-Leverage/dp/B009HULDVG/ref=sr_1_127ie=UTF8&qid=1395847384&sr=8-12&keywords=vakind	Yes
Housweety / eIvher	http://www.amazon.com/TSSS-Curler-Ringlets-Leverage-Stretched/dp/B00H0GEU46/ref=sr_1_137ie=UTF8&qid=1395847406&sr=8-13&keywords=vakind	Yes
Vakind / Wellness Corps	http://www.amazon.com/Stretched-Leverage-Ringlets-Rollers-Curlers/dp/B009HULDNDM/ref=sr_1_157ie=UTF8&qid=1395847437&sr=8-15&keywords=vakind	Yes
MelodySusie / MelodySusie Direct	http://www.amazon.com/MelodySusie-Quality-Fashion-Curlformer-Glamour/dp/B00GZ648RO/ref=sr_1_177ie=UTF8&qid=1395847508&sr=8-11&keywords=vakind	Yes
etro Fulfillment House	http://www.amazon.com/MelodySusie-Quality-Fashion-Curlformer-harmless/dp/B00848P8E9/ref=sr_1_127ie=UTF8&qid=1395847535&sr=8-12&keywords=vakind	Yes
Vakind / FENHE US	http://www.amazon.com/Vakind-Stretched-Leverage-Ringlets-Formers/dp/B00928EEUK/ref=sr_1_137ie=UTF8&qid=1395847569&sr=8-13&keywords=vakind	No
Vakind / So Beauty	http://www.amazon.com/Vakind-Stretched-Formers-Ringlets-Formers/dp/B009HULFE7/ref=sr_1_147ie=UTF8&qid=1395847599&sr=8-14&keywords=vakind	No
HQdeal / OceanPlace	http://www.amazon.com/Vakind-Stretched-Formers-Ringlets-Leverage/dp/B009HULY7G/ref=sr_1_157ie=UTF8&qid=1395847624&sr=8-15&keywords=vakind	Yes
Winstonia / Cyberkin	http://www.amazon.com/FORMERS-NARROW-SPIRAL-CURLERS-ROLLERS/dp/B008A3B6I8/ref=sr_1_177ie=UTF8&qid=1395847656&sr=8-17&keywords=vakind	No
winwinzone / EIOO TECH	http://www.amazon.com/18pcs-Rollers-Styling-Curler-Natural/dp/B008G6432I/ref=sr_1_197ie=UTF8&qid=1395847691&sr=8-19&keywords=vakind	Yes
MelodySusie / favoritemail	http://www.amazon.com/Curlformers-Magic-Leverage-Spiral-Curlers/dp/B00CSHOUK/ref=sr_1_217ie=UTF8&qid=1395847724&sr=8-21&keywords=vakind	Yes
Hair Rollers / awtang2008	http://www.amazon.com/Hair-Rollers-High-Speed-Changing-Curlers/dp/B008FH4IK/ref=sr_1_227ie=UTF8&qid=1395847766&sr=8-22&keywords=vakind	No
Brightdeal	http://www.amazon.com/Vakind-Curler-Formers-Spiral-Ringlets/dp/B003YTM6SQ/ref=sr_1_277ie=UTF8&qid=1395847799&sr=8-27&keywords=vakind	No
MelodySusie / GGXSAM	http://www.amazon.com/Vakind-Curler-Formers-Spiral-Curlers/dp/B008HUKRG4/ref=sr_1_337ie=UTF8&qid=1395847835&sr=8-33&keywords=vakind	Yes
Vakind / New Discovery	http://www.amazon.com/FORMERS-NARROW-SPIRAL-CURLERS-ROLLERS/dp/B008A376KG/ref=sr_1_457ie=UTF8&qid=1395847861&sr=8-45&keywords=vakind	No
Triffing	http://www.amazon.com/Stretched-Rollers-Curlers-Leverage-Ringlets/dp/B0019BTW64/ref=sr_1_607ie=UTF8&qid=1395847911&sr=8-60&keywords=vakind	No
Housweety	http://www.amazon.com/Vakind-Stretched-Rollers-Curlers-Leverage-Ringlets/dp/B009HULJ6O/ref=sr_1_1007ie=UTF8&qid=1395847950&sr=8-100&keywords=vakind	Yes
Vakind / KIKIBO	http://www.amazon.com/Vakind-Curler-Ringlets-Leverage-Ringlets/dp/B009HULKLV/ref=sr_1_117ie=UTF8&qid=1395848052&sr=8-11&keywords=vakind+curiformers	No
Vakind / Wellness Corps	http://www.amazon.com/Vakind-Stretched-Formers-Ringlets-Leverage/dp/B009HULDVG/ref=sr_1_27ie=UTF8&qid=1395848107&sr=8-2&keywords=vakind+curiformers	Yes
Housweety / eIvher	http://www.amazon.com/Vakind-Stretched-Leverage-Ringlets-Formers/dp/B009HULDNDM/ref=sr_1_37ie=UTF8&qid=1395848145&sr=8-3&keywords=vakind+curiformers	Yes
MelodySusie / MelodySusie Direct	http://www.amazon.com/Stretched-Leverage-Ringlets-Curlers/dp/B009HULDNDM/ref=sr_1_47ie=UTF8&qid=1395848176&sr=8-4&keywords=vakind+curiformers	Yes
TSSS / Happy GoGo	http://www.amazon.com/MelodySusie-Quality-Fashion-Curlformer-Glamour/dp/B00GZ648RO/ref=sr_1_67ie=UTF8&qid=1395848199&sr=8-6&keywords=vakind+curiformers	Yes
HQdeal / eIvher	http://www.amazon.com/Vketch-Curler-Formers-Spiral-Ringlets/dp/B00H86CKU/ref=sr_1_77ie=UTF8&qid=1395848231&sr=8-7&keywords=vakind+curiformers	Yes
MelodySusie / favoritemail	http://www.amazon.com/MelodySusie-Quality-Fashion-Curlformer-harmless/dp/B008FH4IK/ref=sr_1_117ie=UTF8&qid=1395848290&sr=8-11&keywords=vakind+curiformers	Yes
HQdeal / OceanPlace	http://www.amazon.com/FORMERS-NARROW-SPIRAL-CURLERS-ROLLERS/dp/B008A3B6I8/ref=sr_1_127ie=UTF8&qid=1395848320&sr=8-12&keywords=vakind+curiformers	Yes
Winstonia / Cyberkin	http://www.amazon.com/18pcs-Rollers-Styling-Curler-Natural/dp/B008G6432I/ref=sr_1_137ie=UTF8&qid=1395848341&sr=8-13&keywords=vakind+curiformers	Yes
MelodySusie / Kikstar	http://www.amazon.com/MelodySusie-Quality-Fashion-Curlformer-harmless/dp/B008H8P8E9/ref=sr_1_157ie=UTF8&qid=1395848375&sr=8-15&keywords=vakind+curiformers	Yes
MelodySusie / GGXSAM	http://www.amazon.com/FORMERS-NARROW-SPIRAL-CURLERS-ROLLERS/dp/B008A3B6I8/ref=sr_1_167ie=UTF8&qid=1395848400&sr=8-16&keywords=vakind+curiformers	Yes
winwinzone / EIOO TECH	http://www.amazon.com/Curlformers-Magic-Leverage-Spiral-Curlers/dp/B00CSHOUK/ref=sr_1_177ie=UTF8&qid=1395848425&sr=8-17&keywords=vakind+curiformers	No
Metro Fulfillment House	http://www.amazon.com/Hair-Rollers-High-Speed-Changing-Curlers/dp/B00928EEUK/ref=sr_1_197ie=UTF8&qid=1395848446&sr=8-19&keywords=vakind+curiformers	Yes
Hair Rollers / awtang2008	http://www.amazon.com/Hair-Rollers-High-Speed-Changing-Curlers/dp/B003YTM6SQ/ref=sr_1_217ie=UTF8&qid=1395848471&sr=8-21&keywords=vakind+curiformers	No
Vakind / So Beauty	http://www.amazon.com/Vakind-Stretched-Formers-Ringlets-Leverage/dp/B009HULY7G/ref=sr_1_237ie=UTF8&qid=1395848494&sr=8-23&keywords=vakind+curiformers	No

Housweety	http://www.amazon.com/Housweety-Styling-Formers-Leverage-Rollers/dp/B00DSKY9F5/ref=sr_1_24?ie=UTF8&qid=1395848515&s=8-24&keywords=vakind-curlformers	Yes
Brightdeal	http://www.amazon.com/Vakind-Curler-Formers-Spiral-Ringlets/dp/B008HUKR64/ref=sr_1_25?ie=UTF8&qid=1395848537&s=8-25&keywords=vakind-curlformers	No
Vakind / FENNE US	http://www.amazon.com/Vakind-Stretched-Leverage-Ringlets-Formers/dp/B008HUKR64/ref=sr_1_26?ie=UTF8&qid=1395848555&s=8-26&keywords=vakind-curlformers	No
Aisilk / eacornall	http://www.amazon.com/Aisilk-Stretched-diameter-High-speed-Curlformers/dp/B00CPO95HK/ref=sr_1_27?ie=UTF8&qid=1395848591&s=8-27&keywords=vakind-curlformers	No
Vakind / Buffalo Spring	http://www.amazon.com/Vakind-Curler-Ringlets-Leverage-Stretched/dp/B008HUKLW/ref=sr_1_13?ie=UTF8&qid=1395920987&s=1-13&keywords=vakind-curlformers	Yes
Housweety	http://www.amazon.com/Vakind-Stretched-Formers-Ringlets-Leverage/dp/B008HUKLW/ref=sr_1_13?ie=UTF8&qid=1395920987&s=1-13&keywords=vakind-curlformers	No
winnitzone / EIOO TECH	http://www.amazon.com/Curlformers-Magic-Leverage-Spiral-Curlers/dp/B00C3HOUK/ref=sr_1_43?ie=UTF8&qid=1395921047&s=1-43&keywords=magic-leverage	Yes
Winstonia / Cyberkin	http://www.amazon.com/18pins-Rollers-Styling-Curler-Natural/dp/B008G43216/ref=sr_1_43?ie=UTF8&qid=1395921048&s=1-43&keywords=magic-leverage	No
Hair Rollers / awtang2008	http://www.amazon.com/Hair-Rollers-High-speed-Changing-Curlers/dp/B003YTM65Q/ref=sr_1_57?ie=UTF8&qid=1395921124&s=1-57&keywords=magic-leverage	No
MelodySusie / favoritemail	http://www.amazon.com/MelodySusie-Quality-Fashion-Curlformer-hairmless/dp/B008PH41K/ref=sr_1_67?ie=UTF8&qid=1395921148&s=1-67&keywords=magic-leverage	Yes
Housweety	http://www.amazon.com/Housweety-Styling-Formers-Leverage-Rollers/dp/B00DSKY9F5/ref=sr_1_7?ie=UTF8&qid=1395921179&s=1-7&keywords=magic-leverage	Yes
Housweety / TSSS	http://www.amazon.com/Stretched-Leverage-Ringlets-Rollers-Curlers/dp/B008SKY9F5/ref=sr_1_7?ie=UTF8&qid=1395921179&s=1-7&keywords=magic-leverage	Yes
Metro Fulfillment House	http://www.amazon.com/Hair-Rollers-High-speed-Changing-Curlers/dp/B003YTM65Q/ref=sr_1_57?ie=UTF8&qid=1395921124&s=1-57&keywords=magic-leverage	No
HQdeal / HollyHorse	http://www.amazon.com/Hair-Rollers-High-speed-Changing-Curlers/dp/B008PH41K/ref=sr_1_67?ie=UTF8&qid=1395921148&s=1-67&keywords=magic-leverage	No
Aisilk / eacornall	http://www.amazon.com/Housweety-Styling-Formers-Leverage-Rollers/dp/B00DSKY9F5/ref=sr_1_7?ie=UTF8&qid=1395921179&s=1-7&keywords=magic-leverage	Yes
Aisilk / eacornall	http://www.amazon.com/Stretched-Leverage-Ringlets-Rollers-Curlers/dp/B008SKY9F5/ref=sr_1_7?ie=UTF8&qid=1395921179&s=1-7&keywords=magic-leverage	Yes
MelodySusie / GGXSAM	http://www.amazon.com/FORMERS-NARROW-SPIRAL-CURLERS-ROLLERS/dp/B008A3B618/ref=sr_1_107?ie=UTF8&qid=1395921422&s=1-107&keywords=magic-leverage	Yes
Shop4U / toworid38	http://www.amazon.com/Asilk-Stretched-diameter-High-speed-Curlformers/dp/B00CPO95HK/ref=sr_1_117?ie=UTF8&qid=1395921458&s=1-117&keywords=magic-leverage	No
Housweety	http://www.amazon.com/Asilk-Stretched-diameter-High-speed-Curlformers/dp/B00CPO95HK/ref=sr_1_117?ie=UTF8&qid=1395921458&s=1-117&keywords=magic-leverage	No
Agile Tech / Nucell skin solution	http://www.amazon.com/Asilk-Stretched-diameter-High-speed-Curlformers/dp/B00CPO95HK/ref=sr_1_117?ie=UTF8&qid=1395921458&s=1-117&keywords=magic-leverage	Yes
MelodySusie / Kikstar	http://www.amazon.com/FORMERS-NARROW-SPIRAL-CURLERS-ROLLERS/dp/B008A3B618/ref=sr_1_107?ie=UTF8&qid=1395921422&s=1-107&keywords=magic-leverage	No
Vakind / Family run-Shop	http://www.amazon.com/FORMERS-NARROW-SPIRAL-CURLERS-ROLLERS/dp/B008A3B618/ref=sr_1_107?ie=UTF8&qid=1395921422&s=1-107&keywords=magic-leverage	Yes
Housweety	http://www.amazon.com/Asilk-Stretched-diameter-High-speed-Curlformers/dp/B00CPO95HK/ref=sr_1_117?ie=UTF8&qid=1395921458&s=1-117&keywords=magic-leverage	No
Aisilk / eacornall	http://www.amazon.com/Asilk-Stretched-diameter-High-speed-Curlformers/dp/B00CPO95HK/ref=sr_1_117?ie=UTF8&qid=1395921458&s=1-117&keywords=magic-leverage	No
Aisilk / eacornall	http://www.amazon.com/Asilk-Stretched-diameter-High-speed-Curlformers/dp/B00CPO95HK/ref=sr_1_117?ie=UTF8&qid=1395921458&s=1-117&keywords=magic-leverage	Yes
Angel Of USA / Easybuystore	http://www.amazon.com/Asilk-Stretched-diameter-High-speed-Curlformers/dp/B00CPO95HK/ref=sr_1_117?ie=UTF8&qid=1395921458&s=1-117&keywords=magic-leverage	No
Vakind / New Discovery	http://www.amazon.com/Asilk-Stretched-diameter-High-speed-Curlformers/dp/B00CPO95HK/ref=sr_1_117?ie=UTF8&qid=1395921458&s=1-117&keywords=magic-leverage	No
Housweety	http://www.amazon.com/Asilk-Stretched-diameter-High-speed-Curlformers/dp/B00CPO95HK/ref=sr_1_117?ie=UTF8&qid=1395921458&s=1-117&keywords=magic-leverage	Yes
Finejo	http://www.amazon.com/Asilk-Stretched-diameter-High-speed-Curlformers/dp/B00CPO95HK/ref=sr_1_117?ie=UTF8&qid=1395921458&s=1-117&keywords=magic-leverage	No
Housweety	http://www.amazon.com/Asilk-Stretched-diameter-High-speed-Curlformers/dp/B00CPO95HK/ref=sr_1_117?ie=UTF8&qid=1395921458&s=1-117&keywords=magic-leverage	No
Aisilk / eacornall	http://www.amazon.com/Asilk-Stretched-diameter-High-speed-Curlformers/dp/B00CPO95HK/ref=sr_1_117?ie=UTF8&qid=1395921458&s=1-117&keywords=magic-leverage	No
ShopToday	http://www.amazon.com/Asilk-Stretched-diameter-High-speed-Curlformers/dp/B00CPO95HK/ref=sr_1_117?ie=UTF8&qid=1395921458&s=1-117&keywords=magic-leverage	Yes
Aisilk / eacornall	http://www.amazon.com/Asilk-Stretched-diameter-High-speed-Curlformers/dp/B00CPO95HK/ref=sr_1_117?ie=UTF8&qid=1395921458&s=1-117&keywords=magic-leverage	No
Vakind / New Discovery	http://www.amazon.com/Asilk-Stretched-diameter-High-speed-Curlformers/dp/B00CPO95HK/ref=sr_1_117?ie=UTF8&qid=1395921458&s=1-117&keywords=magic-leverage	No
Housweety	http://www.amazon.com/Asilk-Stretched-diameter-High-speed-Curlformers/dp/B00CPO95HK/ref=sr_1_117?ie=UTF8&qid=1395921458&s=1-117&keywords=magic-leverage	Yes
Aisilk / eacornall	http://www.amazon.com/Asilk-Stretched-diameter-High-speed-Curlformers/dp/B00CPO95HK/ref=sr_1_117?ie=UTF8&qid=1395921458&s=1-117&keywords=magic-leverage	No
Topicker	http://www.amazon.com/Asilk-Stretched-diameter-High-speed-Curlformers/dp/B00CPO95HK/ref=sr_1_117?ie=UTF8&qid=1395921458&s=1-117&keywords=magic-leverage	No
HappyLife	http://www.amazon.com/Asilk-Stretched-diameter-High-speed-Curlformers/dp/B00CPO95HK/ref=sr_1_117?ie=UTF8&qid=1395921458&s=1-117&keywords=magic-leverage	Yes
Aisilk / eacornall	http://www.amazon.com/Asilk-Stretched-diameter-High-speed-Curlformers/dp/B00CPO95HK/ref=sr_1_117?ie=UTF8&qid=1395921458&s=1-117&keywords=magic-leverage	No
Aisilk / eacornall	http://www.amazon.com/Asilk-Stretched-diameter-High-speed-Curlformers/dp/B00CPO95HK/ref=sr_1_117?ie=UTF8&qid=1395921458&s=1-117&keywords=magic-leverage	No
Aisilk / eacornall	http://www.amazon.com/Asilk-Stretched-diameter-High-speed-Curlformers/dp/B00CPO95HK/ref=sr_1_117?ie=UTF8&qid=1395921458&s=1-117&keywords=magic-leverage	No
Great Deal Happy	http://www.amazon.com/Asilk-Stretched-diameter-High-speed-Curlformers/dp/B00CPO95HK/ref=sr_1_117?ie=UTF8&qid=1395921458&s=1-117&keywords=magic-leverage	No
Urgreat	http://www.amazon.com/Asilk-Stretched-diameter-High-speed-Curlformers/dp/B00CPO95HK/ref=sr_1_117?ie=UTF8&qid=1395921458&s=1-117&keywords=magic-leverage	No

Asilk / eacsmall	http://www.amazon.com/Asilk-Stretched-15-7inch-diameter-high-speed/dp/B00Y2ZCJ/ref=scr_1_467=beauty&ie=UTF8&qid=1395921640&sr=1_48&keywords=magic+leverage	No
ShopToday	http://www.amazon.com/LOUISE-MAELYS-Rollers-Ringlets-Styling/dp/B00J22S1TO/ref=scr_1_497=beauty&ie=UTF8&qid=1395921640&sr=1_49&keywords=magic+leverage	No
19Beauty	http://www.amazon.com/19Beauty-Curler-Ringlets-Leverage-Stretched/dp/B00IBUCZD7/ref=scr_1_507=beauty&ie=UTF8&qid=1395921640&sr=1_50&keywords=magic+leverage	No
Sellingpillar	http://www.amazon.com/Leverage-Curler-Spiral-Ringlet/dp/B00C7WMLR6/ref=scr_1_513=beauty&ie=UTF8&qid=1395921640&sr=1_51&keywords=magic+leverage	No
Hair Curlers / eacsmall	http://www.amazon.com/Multi-colored-Magic-Leveag-Curlers-Spiral/dp/B009S2V8W4/ref=scr_1_527=beauty&ie=UTF8&qid=1395921640&sr=1_52&keywords=magic+leverage	No
Housweety	http://www.amazon.com/Stretched-High-speed-Hair-Curlers-Curlformers/dp/B00C8TRP0/ref=scr_1_537=beauty&ie=UTF8&qid=1395922157&sr=1_54&keywords=magic+leverage	Yes
Asilk / eacsmall	http://www.amazon.com/Housweety-Circle-Styling-Formers-Leverage/dp/B00D31W0VW/ref=scr_1_547=beauty&ie=UTF8&qid=1395922157&sr=1_55&keywords=magic+leverage	Yes
Hair Curlers / eacsmall	http://www.amazon.com/Asilk-Promotion-Hair-Rollers-Curler/dp/B00C6RKC/ref=scr_1_557=beauty&ie=UTF8&qid=1395922157&sr=1_56&keywords=magic+leverage	No
Hair Curlers / eacsmall	http://www.amazon.com/Asilk-Curlers-Spiral-Ringlets-Rollers/dp/B00F6FCO/ref=scr_1_577=beauty&ie=UTF8&qid=1395922157&sr=1_57&keywords=magic+leverage	No
Finejo	http://www.amazon.com/Asilk-Stretched-High-speed-Changing-Curlformers/dp/B00C6C0B7D/ref=scr_1_587=beauty&ie=UTF8&qid=1395922157&sr=1_58&keywords=magic+leverage	No
Asilk / eacsmall	http://www.amazon.com/Asilk-High-speed-Changing-Curlformers-Stretched/dp/B00C1FXWJ/ref=scr_1_597=beauty&ie=UTF8&qid=1395922157&sr=1_59&keywords=magic+leverage	No
Asilk / eacsmall	http://www.amazon.com/Asilk-Stretched-diameter-high-speed-Changing/dp/B00DPC4364/ref=scr_1_607=beauty&ie=UTF8&qid=1395922157&sr=1_60&keywords=magic+leverage	No
Asilk / eacsmall	http://www.amazon.com/Asilk-Stretched-High-speed-Changing-Curlformers/dp/B00C4ARNG/ref=scr_1_617=beauty&ie=UTF8&qid=1395922157&sr=1_61&keywords=magic+leverage	No
Hair Curlers / eacsmall	http://www.amazon.com/Asilk-Stretched-High-speed-Changing-Curlformers/dp/B00DPC4364/ref=scr_1_627=beauty&ie=UTF8&qid=1395922157&sr=1_62&keywords=magic+leverage	No
Hair Curlers / eacsmall	http://www.amazon.com/Asilk-Hair-Rollers-high-speed-Changing/dp/B00C427DFO/ref=scr_1_637=beauty&ie=UTF8&qid=1395922157&sr=1_63&keywords=magic+leverage	No
Hair Curlers / eacsmall	http://www.amazon.com/Asilk-Stretched-Rollers-High-speed-Changing/dp/B00CPOBVE8/ref=scr_1_647=beauty&ie=UTF8&qid=1395922157&sr=1_64&keywords=magic+leverage	No
Hair Curlers / eacsmall	http://www.amazon.com/Stretched-Hair-Curlers-High-speed-Changing/dp/B00CG4364/ref=scr_1_657=beauty&ie=UTF8&qid=1395922157&sr=1_65&keywords=magic+leverage	No
Asilk / eacsmall	http://www.amazon.com/Stretched-Hair-Rollers-High-speed-Changing/dp/B00C826F6/ref=scr_1_667=beauty&ie=UTF8&qid=1395922157&sr=1_66&keywords=magic+leverage	No
Hair Curlers / eacsmall	http://www.amazon.com/Asilk-Stretched-2inch-High-speed-Changing/dp/B00C886PF6/ref=scr_1_677=beauty&ie=UTF8&qid=1395922157&sr=1_67&keywords=magic+leverage	No
Hair Curlers / eacsmall	http://www.amazon.com/Asilk-Stretched-Hair-Rollers-High-speed-Changing/dp/B00C4BKJ98/ref=scr_1_687=beauty&ie=UTF8&qid=1395922157&sr=1_68&keywords=magic+leverage	No
Asilk / eacsmall	http://www.amazon.com/Asilk-Stretched-High-speed-Changing-Styling/dp/B00CNSZJXA/ref=scr_1_697=beauty&ie=UTF8&qid=1395922157&sr=1_69&keywords=magic+leverage	No
WAWO	http://www.amazon.com/Asilk-Stretched-High-speed-Changing-Styling/dp/B00C886PF6/ref=scr_1_707=beauty&ie=UTF8&qid=1395922157&sr=1_70&keywords=magic+leverage	No
HappyLife	http://www.amazon.com/WAWO-leverage-High-Speed-Changing-Leverage-Rollers/dp/B00C886PF6/ref=scr_1_717=beauty&ie=UTF8&qid=1395922157&sr=1_71&keywords=magic+leverage	No
P&L / Bangbo Group	http://www.amazon.com/Happylife-Curler-Former-Leverage-Stretched/dp/B00D2XGS4/ref=scr_1_727=beauty&ie=UTF8&qid=1395922157&sr=1_72&keywords=magic+leverage	No
Shift_forwards	http://www.amazon.com/8482-Ringlets-Leverage-Stretched-Rollers/dp/B00J35ZCQ/ref=scr_1_737=beauty&ie=UTF8&qid=1395922157&sr=1_73&keywords=magic+leverage	No
Trifling	http://www.amazon.com/Shift_forwards-Ringlets-Leverage-Stretched-Curlers-20ps/dp/B00J2UR77/ref=scr_1_747=beauty&ie=UTF8&qid=1395922157&sr=1_74&keywords=magic+leverage	Yes
Generic / ServiceUno TL	http://www.amazon.com/15inch-Curler-Formers-Ringlets-Leverage/dp/B00J98TW64/ref=scr_1_757=beauty&ie=UTF8&qid=1395922157&sr=1_75&keywords=magic+leverage	No
Shift_forwards	http://www.amazon.com/Shift_forwards-Ringlets-Leverage-Rollers/dp/B00F1M8X80/ref=scr_1_767=beauty&ie=UTF8&qid=1395922157&sr=1_76&keywords=magic+leverage	No
Applebeauty	http://www.amazon.com/Shift_forwards-Stretched-Leverage-Ringlets-Rollers/dp/B00J2V2QD2/ref=scr_1_777=beauty&ie=UTF8&qid=1395922157&sr=1_77&keywords=magic+leverage	No
Shift_forwards	http://www.amazon.com/Stretched-Leverage-Ringlets-Rollers-Curlers/dp/B00F84893/ref=scr_1_787=beauty&ie=UTF8&qid=1395922157&sr=1_78&keywords=magic+leverage	No
19Beauty	http://www.amazon.com/Shift_forwards-Stretched-Formers-Ringlets-Leverage/dp/B00J2UV0PW/ref=scr_1_797=beauty&ie=UTF8&qid=1395922157&sr=1_79&keywords=magic+leverage	No
Topicker	http://www.amazon.com/19Beauty-Stretched-Leverage-Ringlets-Formers/dp/B00IBD0770/ref=scr_1_807=beauty&ie=UTF8&qid=1395922157&sr=1_80&keywords=magic+leverage	No
Fenheus	http://www.amazon.com/Topicker-Stretched-Formers-Ringlets-Leverage/dp/B00IH0D7C/ref=scr_1_817=beauty&ie=UTF8&qid=1395922157&sr=1_81&keywords=magic+leverage	No
Housweety	http://www.amazon.com/Fenheus-Curler-Leverage-Formers-Ringlets-Leverage/dp/B00H5UZYJA/ref=scr_1_827=beauty&ie=UTF8&qid=1395922157&sr=1_82&keywords=magic+leverage	No
Malige Hair / Forever23	http://www.amazon.com/Housweety-Stretched-Leverage-Ringlets-Rollers/dp/B00C826F6/ref=scr_1_837=beauty&ie=UTF8&qid=1395922157&sr=1_83&keywords=magic+leverage	No
Valkind / Housweety	http://www.amazon.com/Circle-Hair-Styling-Roller-Curler-Random/dp/B00DQCM3IS/ref=scr_1_847=beauty&ie=UTF8&qid=1395922157&sr=1_84&keywords=magic+leverage	No
winwinzone / Save Goldess	http://www.amazon.com/Valkind-Curler-Ringlets-Leverage-Stretched/dp/B009HULJLW/ref=scr_1_17=beauty&ie=UTF8&qid=1395923142&sr=1_1&keywords=magic+leverage+extra+wide	Yes
Valkind / Housweety	http://www.amazon.com/Valkind-Curler-Ringlets-Leverage-Stretched/dp/B009HULJLW/ref=scr_1_17=beauty&ie=UTF8&qid=1395923142&sr=1_1&keywords=magic+leverage+extra+wide	Yes
Housweety	http://www.amazon.com/Valkind-Stretched-Formers-Ringlets-Leverage/dp/B009HULJLW/ref=scr_1_27=beauty&ie=UTF8&qid=1395923222&sr=1_2&keywords=magic+leverage	Yes

TS55	http://www.amazon.com/TS55-Curler-Ringlets-Leverage-Stretched/dp/B00H06EU46/ref=sr_1_37?ie=beauty&ie=UTF8&qid=1395923222&sr=1-3&keywords=magic+leverage	Yes
Housweety / Emmanuel US	http://www.amazon.com/Stretched-Leverage-Ringlets-Rollers-Curlers/dp/B009HJUNWJ/ref=sr_1_47?ie=beauty&ie=UTF8&qid=1395923222&sr=1-4&keywords=magic+leverage	Yes
Aisilk / eacsmall	http://www.amazon.com/Aisilk-Waranty-Ringlets-Leverage-High-Speed/dp/B00CP6N6V2/ref=sr_1_57?ie=beauty&ie=UTF8&qid=1395923222&sr=1-5&keywords=magic+leverage	No
winwinzone / Atoshin	http://www.amazon.com/18pcs-Rollers-Styling-Curler-Natural/dp/B008G43216/ref=sr_1_67?ie=beauty&ie=UTF8&qid=1395923222&sr=1-6&keywords=magic+leverage	Yes
Housweety	http://www.amazon.com/Leverage-Rollers-Curler-Spiral-Ringlets/dp/B00D8K795S/ref=sr_1_77?ie=beauty&ie=UTF8&qid=1395923222&sr=1-7&keywords=magic+leverage	Yes
Agile Tech / Nuceil skin solution	http://www.amazon.com/Vakind-Stretched-Leverage-Ringlets-Formers/dp/B009RDTNDG/ref=sr_1_97?ie=beauty&ie=UTF8&qid=1395923222&sr=1-9&keywords=magic+leverage	No
Vakind / Wellness Corps	http://www.amazon.com/Curlformers-Magic-Leverage-Spiral-Curlers/dp/B00CSHOUKJ/ref=sr_1_117?ie=beauty&ie=UTF8&qid=1395923222&sr=1-11&keywords=magic+leverage	No
winwinzone / Sare Goldss	http://www.amazon.com/MelodySusie-Quality-Fashion-Curlformer-Hairmises/dp/B008F1H4K1/ref=sr_1_127?ie=beauty&ie=UTF8&qid=1395923222&sr=1-13&keywords=magic+leverage	Yes
MelodySusie / HollyHorse	http://www.amazon.com/Aisilk-Stretched-Diameter-Ringlets-High-Speed/dp/B00CPE6E0Z/ref=sr_1_137?ie=beauty&ie=UTF8&qid=1395923222&sr=1-14&keywords=magic+leverage	No
Vakind / So Beauty	http://www.amazon.com/Hair-Rollers-High-Speed-Changing-Curlers/dp/B003YTMGSQ/ref=sr_1_147?ie=beauty&ie=UTF8&qid=1395923222&sr=1-15&keywords=magic+leverage	Yes
winwinzone / Goodidea	http://www.amazon.com/FORMERS-NARROW-SPIRAL-CURLERS-ROLLERS/dp/B0084376V6/ref=sr_1_157?ie=beauty&ie=UTF8&qid=1395923222&sr=1-16&keywords=magic+leverage	No
Hair Curlers / eacsmall	http://www.amazon.com/FORMERS-NARROW-SPIRAL-CURLERS-ROLLERS/dp/B0084376V6/ref=sr_1_167?ie=beauty&ie=UTF8&qid=1395923222&sr=1-17&keywords=magic+leverage	No
MelodySusie / eRiver	http://www.amazon.com/FORMERS-NARROW-SPIRAL-CURLERS-ROLLERS/dp/B0084376V6/ref=sr_1_177?ie=beauty&ie=UTF8&qid=1395923222&sr=1-18&keywords=magic+leverage	Yes
Hair Curlers / eacsmall	http://www.amazon.com/FORMERS-NARROW-SPIRAL-CURLERS-ROLLERS/dp/B0084376V6/ref=sr_1_187?ie=beauty&ie=UTF8&qid=1395923222&sr=1-19&keywords=magic+leverage	No
HQdeal / OceanPlace	http://www.amazon.com/MelodySusie-Quality-Fashion-Curlformer-Hairmises/dp/B008H8P8E8/ref=sr_1_207?ie=beauty&ie=UTF8&qid=1395923222&sr=1-20&keywords=magic+leverage	Yes
Metro Fulfillment House	http://www.amazon.com/Vakind-Stretched-Formers-Ringlets-Leverage/dp/B009HJUNWJ/ref=sr_1_217?ie=beauty&ie=UTF8&qid=1395923222&sr=1-21&keywords=magic+leverage	Yes
HQdeal / eRiver	http://www.amazon.com/Housweety-Stretched-Formers-Ringlets-Leverage/dp/B009HJUNWJ/ref=sr_1_227?ie=beauty&ie=UTF8&qid=1395923222&sr=1-22&keywords=magic+leverage	Yes
MelodySusie / Kstar	http://www.amazon.com/Aisilk-Stretched-Formers-Ringlets-Leverage/dp/B009HJUNWJ/ref=sr_1_237?ie=beauty&ie=UTF8&qid=1395923222&sr=1-23&keywords=magic+leverage	No
Vakind / So Beauty	http://www.amazon.com/Aisilk-Stretched-Formers-Ringlets-Leverage/dp/B009HJUNWJ/ref=sr_1_247?ie=beauty&ie=UTF8&qid=1395923222&sr=1-24&keywords=magic+leverage	No
Housweety	http://www.amazon.com/Aisilk-High-Speed-Changing-Curlformers-Ringlets/dp/B00CP622YQ/ref=sr_1_257?ie=beauty&ie=UTF8&qid=1395923222&sr=1-25&keywords=magic+leverage	Yes
Aisilk / eacsmall	http://www.amazon.com/Housweety-Stretched-Formers-Ringlets-Leverage/dp/B009HJUNWJ/ref=sr_1_267?ie=beauty&ie=UTF8&qid=1395923222&sr=1-26&keywords=magic+leverage	No
Aisilk / eacsmall	http://www.amazon.com/Aisilk-Stretched-Ringlets-Leverage-High-Speed/dp/B009HJUNWJ/ref=sr_1_277?ie=beauty&ie=UTF8&qid=1395923222&sr=1-27&keywords=magic+leverage	No
Angel Of USA	http://www.amazon.com/Aisilk-High-Speed-Changing-Curlformers-Ringlets/dp/B009HJUNWJ/ref=sr_1_287?ie=beauty&ie=UTF8&qid=1395923222&sr=1-28&keywords=magic+leverage	No
Vakind / FENHE US	http://www.amazon.com/Housweety-Stretched-Formers-Ringlets-Leverage/dp/B009HJUNWJ/ref=sr_1_297?ie=beauty&ie=UTF8&qid=1395923222&sr=1-29&keywords=magic+leverage	Yes
Housweety	http://www.amazon.com/Housweety-Stretched-Formers-Ringlets-Leverage/dp/B009HJUNWJ/ref=sr_1_307?ie=beauty&ie=UTF8&qid=1395923222&sr=1-30&keywords=magic+leverage	Yes
Finejo	http://www.amazon.com/Housweety-Stretched-Formers-Ringlets-Leverage/dp/B009HJUNWJ/ref=sr_1_317?ie=beauty&ie=UTF8&qid=1395923222&sr=1-31&keywords=magic+leverage	No
Housweety	http://www.amazon.com/Housweety-Stretched-Formers-Ringlets-Leverage/dp/B009HJUNWJ/ref=sr_1_327?ie=beauty&ie=UTF8&qid=1395923222&sr=1-32&keywords=magic+leverage	No
Aisilk / eacsmall	http://www.amazon.com/Housweety-Stretched-Formers-Ringlets-Leverage/dp/B009HJUNWJ/ref=sr_1_337?ie=beauty&ie=UTF8&qid=1395923222&sr=1-33&keywords=magic+leverage	No
ShopToday	http://www.amazon.com/Aisilk-Stretched-Formers-Ringlets-Leverage/dp/B009HJUNWJ/ref=sr_1_347?ie=beauty&ie=UTF8&qid=1395923222&sr=1-34&keywords=magic+leverage	No
Aisilk / eacsmall	http://www.amazon.com/Aisilk-Stretched-Formers-Ringlets-Leverage/dp/B009HJUNWJ/ref=sr_1_357?ie=beauty&ie=UTF8&qid=1395923222&sr=1-35&keywords=magic+leverage	No
Vakind / New Discovery	http://www.amazon.com/Aisilk-Stretched-Ringlets-Leverage-High-Speed/dp/B009HJUNWJ/ref=sr_1_367?ie=beauty&ie=UTF8&qid=1395923222&sr=1-36&keywords=magic+leverage	Yes
Housweety	http://www.amazon.com/Vakind-Stretched-Ringlets-Leverage-Ringlets/dp/B009HJUNWJ/ref=sr_1_377?ie=beauty&ie=UTF8&qid=1395923222&sr=1-37&keywords=magic+leverage	No
Aisilk / eacsmall	http://www.amazon.com/Housweety-Hairdressing-Leverage-Styling-Formers/dp/B00D5KE3SE/ref=sr_1_387?ie=beauty&ie=UTF8&qid=1395923222&sr=1-38&keywords=magic+leverage	No
Topicker	http://www.amazon.com/Topicker-Curler-Ringlets-Leverage-Stretched/dp/B009HJUNWJ/ref=sr_1_407?ie=beauty&ie=UTF8&qid=1395923222&sr=1-40&keywords=magic+leverage	No
HappyLife	http://www.amazon.com/HappyLife-Stretched-Formers-Ringlets-Leverage/dp/B009HJUNWJ/ref=sr_1_417?ie=beauty&ie=UTF8&qid=1395923222&sr=1-41&keywords=magic+leverage	Yes
Aisilk / eacsmall	http://www.amazon.com/Aisilk-Stretched-High-Speed-Changing-Curlformers/dp/B009HJUNWJ/ref=sr_1_427?ie=beauty&ie=UTF8&qid=1395923222&sr=1-42&keywords=magic+leverage	No
Aisilk / eacsmall	http://www.amazon.com/Aisilk-Hair-Rollers-High-Speed-Changing-Curlformers/dp/B009HJUNWJ/ref=sr_1_437?ie=beauty&ie=UTF8&qid=1395923222&sr=1-43&keywords=magic+leverage	No
Aisilk / eacsmall	http://www.amazon.com/Aisilk-Hair-Rollers-High-Speed-Changing-Curlformers/dp/B009HJUNWJ/ref=sr_1_447?ie=beauty&ie=UTF8&qid=1395923222&sr=1-44&keywords=magic+leverage	No
Great Deal Happy	http://www.amazon.com/Aisilk-Hair-Rollers-High-Speed-Changing-Curlformers/dp/B009HJUNWJ/ref=sr_1_457?ie=beauty&ie=UTF8&qid=1395923222&sr=1-45&keywords=magic+leverage	No
Urgreat	http://www.amazon.com/Urgreat-Ringlets-Leverage-Stretched-Yellow/dp/B009HJUNWJ/ref=sr_1_467?ie=beauty&ie=UTF8&qid=1395923222&sr=1-46&keywords=magic+leverage	No
Aisilk / eacsmall	http://www.amazon.com/Aisilk-Stretched-15-7inch-diameter-high-speed/dp/B009HJUNWJ/ref=sr_1_477?ie=beauty&ie=UTF8&qid=1395923222&sr=1-47&keywords=magic+leverage	No
LOUISE MAELYS / ShopToday	http://www.amazon.com/LOUISE-MAELYS-Rollers-Ringlets-Styling/dp/B009HJUNWJ/ref=sr_1_487?ie=beauty&ie=UTF8&qid=1395923222&sr=1-48&keywords=magic+leverage	No
19Beauty	http://www.amazon.com/19Beauty-Curler-Ringlets-Leverage-Stretched/dp/B009HJUNWJ/ref=sr_1_507?ie=beauty&ie=UTF8&qid=1395923222&sr=1-50&keywords=magic+leverage	No

digital.HK		No
Shop4U / toworid18	http://www.amazon.com/Leverage-Curfer-Roller-Spiral-Ringlet/dp/B00CPWVLR6/ref=sr_1_517s=beauty&ie=UTF8&qid=1395932376&sr=1_51&keywords=magic+leverage	No
Hair Curfers / eacsmall	http://www.amazon.com/Multi-colored-Magic-Leverage-Curfers-Spiral/dp/B00932376&sr=1_52&keywords=magic+leverage	No
Housweety	http://www.amazon.com/Stretched-High-speed-Hair-Curfers-Curlformers/dp/B00CX8T1R0/ref=sr_1_537s=beauty&ie=UTF8&qid=1395932376&sr=1_53&keywords=magic+leverage	No
Hair Curfers / eacsmall	http://www.amazon.com/Housweety-Circle-Styling-Formers-Leverag/dp/B00DSWQWVW/ref=sr_1_547s=beauty&ie=UTF8&qid=1395932376&sr=1_54&keywords=magic+leverage	Yes
Hair Curfers / eacsmall	http://www.amazon.com/Aisilk-Stretched-Ringlets-Leverage-high-speed/dp/B00CP6R1KC/ref=sr_1_557s=beauty&ie=UTF8&qid=1395932376&sr=1_55&keywords=magic+leverage	No
Finejo	http://www.amazon.com/Aisilk-Promotion-Hair-Rollers-Curler/dp/B00CHN2LQJ/ref=sr_1_567s=beauty&ie=UTF8&qid=1395932376&sr=1_56&keywords=magic+leverage	No
Aisilk / eacsmall	http://www.amazon.com/Finejo-Curfs-Spiral-Ringlets-Rollers/dp/B00FGJFYQJ/ref=sr_1_577s=beauty&ie=UTF8&qid=1395932376&sr=1_57&keywords=magic+leverage	No
Aisilk / eacsmall	http://www.amazon.com/Aisilk-Stretched-High-speed-Changing-Curlformers/dp/B00C600BFO/ref=sr_1_587s=beauty&ie=UTF8&qid=1395932376&sr=1_58&keywords=magic+leverage	No
Aisilk / eacsmall	http://www.amazon.com/Aisilk-High-speed-Changing-Curlformers-Stretched/dp/B00C1FJXWJ/ref=sr_1_597s=beauty&ie=UTF8&qid=1395932376&sr=1_59&keywords=magic+leverage	No
Aisilk / eacsmall	http://www.amazon.com/Aisilk-Stretched-diameter-high-speed-Changing/dp/B00DPK36NA/ref=sr_1_607s=beauty&ie=UTF8&qid=1395932376&sr=1_60&keywords=magic+leverage	No
Hair Rollers / eacsmall	http://www.amazon.com/Aisilk-Stretched-High-speed-Changing-Curlformers/dp/B00CA4R1NG/ref=sr_1_617s=beauty&ie=UTF8&qid=1395932376&sr=1_61&keywords=magic+leverage	No
Hair Curfers / eacsmall	http://www.amazon.com/Aisilk-Hair-Rollers-Styling-Natural/dp/B00CG1LXRQ/ref=sr_1_627s=beauty&ie=UTF8&qid=1395932376&sr=1_62&keywords=magic+leverage	No
Aisilk / eacsmall	http://www.amazon.com/Stretched-Hair-Rollers-High-speed-Changing/dp/B00CH2DFDQ/ref=sr_1_637s=beauty&ie=UTF8&qid=1395932376&sr=1_63&keywords=magic+leverage	No
Hair Curfers / eacsmall	http://www.amazon.com/Aisilk-Stretched-Rollers-High-speed-Changing/dp/B00CPOBVE8/ref=sr_1_647s=beauty&ie=UTF8&qid=1395932376&sr=1_64&keywords=magic+leverage	No
Hair Curfers / eacsmall	http://www.amazon.com/Stretched-Hair-Curfers-High-speed-Changing/dp/B00CGKJ364/ref=sr_1_657s=beauty&ie=UTF8&qid=1395932376&sr=1_65&keywords=magic+leverage	No
Aisilk / eacsmall	http://www.amazon.com/Stretched-Hair-Rollers-High-speed-Changing/dp/B00CH262F6/ref=sr_1_667s=beauty&ie=UTF8&qid=1395932376&sr=1_66&keywords=magic+leverage	No
Aisilk / eacsmall	http://www.amazon.com/Aisilk-Stretched-21inch-High-speed-Changing/dp/B00CH8P6F6/ref=sr_1_677s=beauty&ie=UTF8&qid=1395932376&sr=1_67&keywords=magic+leverage	No
Aisilk / eacsmall	http://www.amazon.com/Aisilk-Hair-Rollers-High-speed-Changing/dp/B00C4BKVJ8/ref=sr_1_687s=beauty&ie=UTF8&qid=1395932376&sr=1_68&keywords=magic+leverage	No
Aisilk / eacsmall	http://www.amazon.com/Aisilk-Stretched-High-speed-Changing-Styling/dp/B00CH2JYJA/ref=sr_1_697s=beauty&ie=UTF8&qid=1395932376&sr=1_69&keywords=magic+leverage	No
Aisilk / eacsmall	http://www.amazon.com/WAWO-leverage-High-Speed-Changing-Leverage/dp/B00CHSSSAG/ref=sr_1_707s=beauty&ie=UTF8&qid=1395932376&sr=1_70&keywords=magic+leverage	No
WAWO	http://www.amazon.com/HappyElife-Curfer-Former-Leverage-Stretched/dp/B002XG54H/ref=sr_1_717s=beauty&ie=UTF8&qid=1395932376&sr=1_71&keywords=magic+leverage	No
HappyElife	http://www.amazon.com/Shift_Forwards-Ringlets-Leverage-Rollers/dp/B00315ZDQ/ref=sr_1_727s=beauty&ie=UTF8&qid=1395932376&sr=1_72&keywords=magic+leverage	No
P&L / Bangbo Group	http://www.amazon.com/8482-Ringlets-Leverage-Rollers/dp/B002UR77I/ref=sr_1_737s=beauty&ie=UTF8&qid=1395932376&sr=1_73&keywords=magic+leverage	Yes
Shift_forwards	http://www.amazon.com/Shift_Forwards-Ringlets-Leverage-Rollers/dp/B002UR77I/ref=sr_1_747s=beauty&ie=UTF8&qid=1395932376&sr=1_74&keywords=magic+leverage	No
Trifing	http://www.amazon.com/Shift_Forwards-Ringlets-Leverage-Rollers/dp/B002UR77I/ref=sr_1_757s=beauty&ie=UTF8&qid=1395932376&sr=1_75&keywords=magic+leverage	No
Generic / ServiceUno TL	http://www.amazon.com/Shift_Forwards-Ringlets-Leverage-Rollers/dp/B002UR77I/ref=sr_1_767s=beauty&ie=UTF8&qid=1395932376&sr=1_76&keywords=magic+leverage	No
Shift_forwards	http://www.amazon.com/Shift_Forwards-Ringlets-Leverage-Rollers/dp/B002UR77I/ref=sr_1_777s=beauty&ie=UTF8&qid=1395932376&sr=1_77&keywords=magic+leverage	No
Applebeauty	http://www.amazon.com/Shift_Forwards-Ringlets-Leverage-Rollers/dp/B002UR77I/ref=sr_1_787s=beauty&ie=UTF8&qid=1395932376&sr=1_78&keywords=magic+leverage	No
Shift_forwards	http://www.amazon.com/Shift_Forwards-Ringlets-Leverage-Rollers/dp/B002UR77I/ref=sr_1_797s=beauty&ie=UTF8&qid=1395932376&sr=1_79&keywords=magic+leverage	No
198Beauty	http://www.amazon.com/198Beauty-Stretched-Leverage-Rollers/dp/B002UR77I/ref=sr_1_807s=beauty&ie=UTF8&qid=1395932376&sr=1_80&keywords=magic+leverage	No
198Beauty	http://www.amazon.com/198Beauty-Stretched-Leverage-Rollers/dp/B002UR77I/ref=sr_1_817s=beauty&ie=UTF8&qid=1395932376&sr=1_81&keywords=magic+leverage	No
Topicker	http://www.amazon.com/198Beauty-Stretched-Leverage-Rollers/dp/B002UR77I/ref=sr_1_827s=beauty&ie=UTF8&qid=1395932376&sr=1_82&keywords=magic+leverage	No
Fenheus	http://www.amazon.com/198Beauty-Stretched-Leverage-Rollers/dp/B002UR77I/ref=sr_1_837s=beauty&ie=UTF8&qid=1395932376&sr=1_83&keywords=magic+leverage	No
Housweety	http://www.amazon.com/198Beauty-Stretched-Leverage-Rollers/dp/B002UR77I/ref=sr_1_847s=beauty&ie=UTF8&qid=1395932376&sr=1_84&keywords=magic+leverage	No
Malgc Hair / Forever23	http://www.amazon.com/198Beauty-Stretched-Leverage-Rollers/dp/B002UR77I/ref=sr_1_857s=beauty&ie=UTF8&qid=1395932376&sr=1_85&keywords=magic+leverage	No

EXHIBIT C

MINTZ LEVIN

Andrew D. Skale | 858 314 1506 | ASkale@mintz.com

3580 Carmel Mountain Road, Suite 300
San Diego, CA 92130
858 314-1500
858 314-1501 fax
www.mintz.com

VIA FACSIMILE, E-MAIL, AND FEDERAL EXPRESS

October 7, 2013

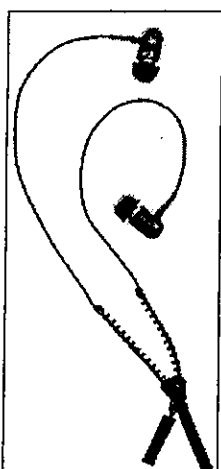
Copyright and Trademark Agent
Amazon.com Legal Department
410 Terry Avenue North
Seattle, WA 98109-5210
Tel: (206) 266-4064
Fax: (206) 266-7010
E-mail: copyright@amazon.com

Re: Notice of Patents and Take-Down Request

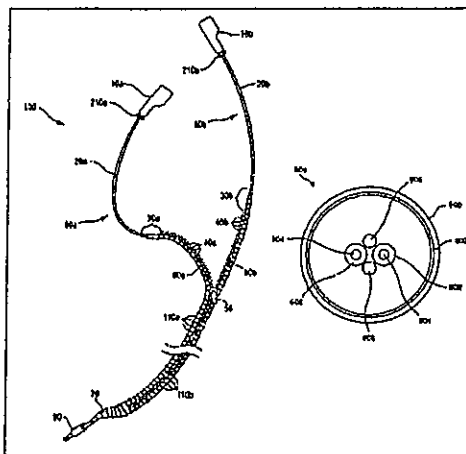
Dear Sir or Madam:

This firm represents Zipbuds, Inc. ("Zipbuds"), in patent, trade dress, and other legal matters. This letter is to notify you of trade dress and patents of Zipbuds' in relation to products being sold on Amazon.com. We ask you to take-down the products listed in Exhibit A from your online store.

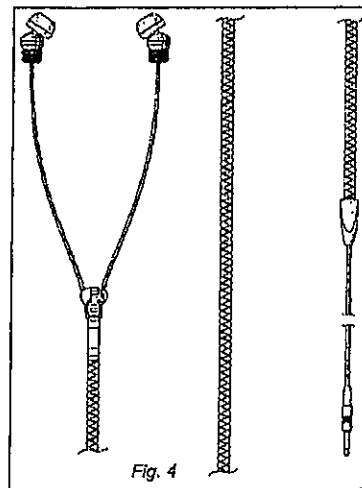
Zipbuds owns numerous design and utility patents relating to its products, including U.S. Patent No. D652,407 and U.S. Patent No. 8,455,758 (the '407 and '758 Patents) (attached). A simple review of these product and Zipbuds' patents is quite telling:



Amazon (Example)



'758 Patent



'407 Patent

Mintz, Levin, Cohn, Ferris, Glovsky and Popeo, P.C.

BOSTON | WASHINGTON | NEW YORK | STAMFORD | LOS ANGELES | PALO ALTO | SAN DIEGO | LONDON

Case 3:13-cv-02967-GPC-KSC Document 1-4 Filed 12/10/13 Page 3 of 8

Amazon.com Legal Department

October 4, 2013

Page 2

It is our understanding that Amazon has responded to demands from our client, claiming it is not responsible for goods sold under its website (arguing it is a bailee), citing *Pharmastem Therapeutics, Inc. v. Viacell, Inc.*, 2007 U.S. App. LEXIS 16245. This analysis is incorrect. First, *Pharmastem* is not applicable. There, families gave cord blood to companies, they did not sell its cord blood to these companies. 491 F.3d at 1357. The companies were never owners of the blood, title never changed hands and therefore, there was no sale. *Id.* The court reasoned the companies were not entitled to dispose of the blood as they chose, they were instead contractually obligated to preserve it until it was needed by the family. *Id.* The companies were therefore merely bailees, not sellers. *Id.* (quoting *Sturm v. Boker*, 150 U.S. 312, 329-30 (1893) (“The recognized distinction between bailment and sale is that, when the identical article is to be returned in the same or in some altered form, the contract is one of bailment and the title to the property is not changed. On the other hand, when there is no obligation to return the specific article, and the receiver is at liberty to return another thing of value, he becomes a debtor to make the return, and the title to the property has changed.”)). Even though Amazon may take goods on a consignment basis, there is an expectation that they offer the goods for sale and ultimately sell the goods (even though they may return some of the excess product). For this reason, Amazon cannot rely on being merely a bailee.

Second, Amazon is liable for direct infringement under 35 USC § 271(a) because it is both offering to sell the infringing product and sold the infringing product. Numerous cases uphold the right of a patent owner to sue a dealer or retailer who purchases and resells articles from an infringing manufacturer. *American Chem. Paint Co. v. Thompson Chem. Corp.*, 244 F.2d 64, 67 (9th Cir. 1957) (“A patent owner has a cause of action, separate and independent from that against an infringing manufacturer, to recover profits and damages and to restrain one who resells a product which he purchased from an infringing manufacturer.”); *Sherman, Clay & Co. v. Searchlight Horn Co.*, 225 F. 497, 500 (9th Cir. 1915) (“[T]he owner has the lawful right to sue any dealer who is making merchandise of his patented article.”); *see also* 5-16 *Chisum on Patents* § 16.02 (“Numerous cases uphold the right of a patent owner to sue a dealer or retailer who purchases and resells articles from an infringing manufacturer.”).

As Amazon has even recognized previously, its liability is coextensive are a reseller. *Shifferaw v. EMSON USA*, 2010 U.S. Dist. LEXIS 25612, 10-11 (E.D. Tex. Mar. 18, 2010) (Amazon stipulated to be bound by patent infringement determination as to manufacturer selling on its site).

Accordingly, we hereby demand that Amazon remove from its online store the products available on the above identified links. Continued sale despite notice would put Amazon at enhanced risk for liability.

Case 3:13-cv-02967-GPC-KSC Document 1-4 Filed 12/10/13 Page 4 of 8

Amazon.com Legal Department

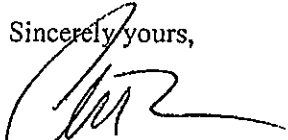
October 4, 2013

Page 3

Please respond by **October 17, 2013**, with the steps you have taken to ensure that the above products and any associated content are removed from Amazon's website. Please do not hesitate to contact me if you have any questions.

We look forward to your prompt response.

Sincerely yours,

A handwritten signature in black ink, appearing to read "ASkale", written over the typed name.

Andrew D, Skale

Enclosures

23222249v.1

Fulfilled By Amazon

Product URL	Yes
https://www.amazon.com/Vakind-Curler-Ringlets-Leverage-Stretched/dp/B009HUKLW/ref=sr_1_17?ie=UTF8&qid=1395845167&sr=8-1&keywords=curiformers	Yes
https://www.amazon.com/Vakind-Stretched-Formers-Ringlets-Leverage/dp/B009HULDVG/ref=sr_1_2?ie=UTF8&qid=1395845288&sr=8-2&keywords=curiformers	Yes
https://www.amazon.com/MelodySusie-Quality-Fashion-Curlformer-Hairmass/dp/B008FH4HK/ref=sr_1_3?ie=UTF8&qid=1395845327&sr=8-3&keywords=curiformers	Yes
https://www.amazon.com/FORMERS-NARROW-SPIRAL-CURLERS-ROLLERS/dp/B008A376KG/ref=sr_1_4?ie=UTF8&qid=1395845404&sr=8-4&keywords=curiformers	Yes
https://www.amazon.com/MelodySusie-Quality-Fashion-Curlformer-Hairmass/dp/B008HR8P8/ref=sr_1_5?ie=UTF8&qid=1395845434&sr=8-5&keywords=curiformers	Yes
https://www.amazon.com/FORMERS-NARROW-SPIRAL-CURLERS-ROLLERS/dp/B008A986B/ref=sr_1_6?ie=UTF8&qid=1395845467&sr=8-6&keywords=curiformers	Yes
https://www.amazon.com/18pcs-Rollers-Styling-Curler-Natural/dp/B008G43216/ref=sr_1_8?ie=UTF8&qid=1395845518&sr=8-8&keywords=curiformers	No
https://www.amazon.com/Curlformers-Magic-Leverage-Spiral-Curlers/dp/B008SHOUK/ref=sr_1_11?ie=UTF8&qid=1395845528&sr=8-11&keywords=curiformers	Yes
https://www.amazon.com/TSSS-Curler-Ringlets-Leverage-Stretched/dp/B008D6EJ4G/ref=sr_1_12?ie=UTF8&qid=1395845638&sr=8-12&keywords=curiformers	No
https://www.amazon.com/Hair-Rollers-High-Speed-Changing-Curlers/dp/B003YTMG50/ref=sr_1_13?ie=UTF8&qid=1395845711&sr=8-13&keywords=curiformers	Yes
https://www.amazon.com/Vktech-Curler-Formers-Spiral-Ringlets/dp/B008H8BCK/ref=sr_1_14?ie=UTF8&qid=1395845773&sr=8-14&keywords=curiformers	Yes
https://www.amazon.com/Asilk-Stretched-diameter-High-Speed-Curlformers/dp/B00CPO95HX/ref=sr_1_16?ie=UTF8&qid=1395845805&sr=8-15&keywords=curiformers	No
https://www.amazon.com/Stretched-Leverage-Ringlets-Rollers-Curlers/dp/B009HULUNW/ref=sr_1_17?ie=UTF8&qid=1395845898&sr=8-17&keywords=curiformers	Yes
https://www.amazon.com/Asilk-Warranty-Ringlets-Leverage-High-Speed/dp/B00C6VNV62/ref=sr_1_23?ie=UTF8&qid=1395846017&sr=8-23&keywords=curiformers	No
https://www.amazon.com/Vakind-Stretched-Leverage-Ringlets-Formers/dp/B009HULDMM/ref=sr_1_24?ie=UTF8&qid=1395846051&sr=8-24&keywords=curiformers	Yes
https://www.amazon.com/MelodySusie-Quality-Fashion-Curlformer-Glamour/dp/B00GZ648RO/ref=sr_1_30?ie=UTF8&qid=1395846083&sr=8-30&keywords=curiformers	Yes
https://www.amazon.com/Stretched-Hair-Curlformer-Curling-Styling/dp/B00C7WAME/ref=sr_1_31?ie=UTF8&qid=1395846131&sr=8-31&keywords=curiformers	No
https://www.amazon.com/Stretched-Hair-Rollers-High-Speed-Changing/dp/B00C7GZL8/ref=sr_1_32?ie=UTF8&qid=1395846167&sr=8-32&keywords=curiformers	No
https://www.amazon.com/Asilk-Stretched-High-Speed-Changing-Curlformers/dp/B00C89HP8Y/ref=sr_1_33?ie=UTF8&qid=1395846192&sr=8-33&keywords=curiformers	No
https://www.amazon.com/Asilk-Stretched-Diameter-Ringlets-High-Speed/dp/B00CPE6CZO/ref=sr_1_34?ie=UTF8&qid=1395846236&sr=8-34&keywords=curiformers	No
https://www.amazon.com/Asilk-Stretched-Diameter-Ringlets-High-Speed/dp/B009RDTNDG/ref=sr_1_35?ie=UTF8&qid=1395846256&sr=8-35&keywords=curiformers	Yes
https://www.amazon.com/Leverage-Rollers-Curler-Spiral-Ringlets/dp/B00C4ARRNG/ref=sr_1_36?ie=UTF8&qid=1395846301&sr=8-36&keywords=curiformers	No
https://www.amazon.com/Housweety-Styling-Formers-Leverage-Rollers/dp/B00D5K79FS/ref=sr_1_37?ie=UTF8&qid=1395846323&sr=8-37&keywords=curiformers	Yes
https://www.amazon.com/Asilk-High-Speed-Changing-Curlformers-Ringlets/dp/B00EUSX3Z/ref=sr_1_44?ie=UTF8&qid=1395846463&sr=8-44&keywords=curiformers	No
https://www.amazon.com/Housweety-Curlformers-Long-Styling-Curlformer/dp/B00F16Z3O/ref=sr_1_48?ie=UTF8&qid=1395846415&sr=8-48&keywords=curiformers	Yes
https://www.amazon.com/Rollers-Curler-Spiral-Ringlets-Styling/dp/B00HVLVSV0/ref=sr_1_51?ie=UTF8&qid=1395846458&sr=8-51&keywords=curiformers	No
https://www.amazon.com/Asilk-Stretched-High-Speed-Changing-Curlformers/dp/B00C07XCC/ref=sr_1_56?ie=UTF8&qid=1395846493&sr=8-56&keywords=curiformers	No
https://www.amazon.com/Multi-colored-Magic-Leverage-Curlers-Spiral/dp/B00H016D50/ref=sr_1_61?ie=UTF8&qid=1395846493&sr=8-61&keywords=curiformers	No
https://www.amazon.com/Asilk-Stretched-High-Speed-Changing-Curlformers/dp/B00C6008FO/ref=sr_1_62?ie=UTF8&qid=1395846458&sr=8-62&keywords=curiformers	No
https://www.amazon.com/Asilk-Stretched-Curlformer-Curling-Rollers/dp/B00D79D6G/ref=sr_1_63?ie=UTF8&qid=1395846567&sr=8-63&keywords=curiformers	No
https://www.amazon.com/beautyfamily20090-Hair-Curlers-Rollers/dp/B0016D02U/ref=sr_1_65?ie=UTF8&qid=1395846591&sr=8-65&keywords=curiformers	No
https://www.amazon.com/Stretched-High-Speed-Hair-Curlers-Curlformers/dp/B00C88T8PO/ref=sr_1_69?ie=UTF8&qid=1395846622&sr=8-69&keywords=curiformers	Yes
https://www.amazon.com/High-Speed-Changing-Curlers-CellPhone-Anti-Dust/dp/B00805Q08U/ref=sr_1_73?ie=UTF8&qid=1395846646&sr=8-73&keywords=curiformers	No
https://www.amazon.com/Vakind-Stretched-Formers-Ringlets-Leverage/dp/B009HULATG/ref=sr_1_74?ie=UTF8&qid=1395846684&sr=8-74&keywords=curiformers	No
https://www.amazon.com/Asilk-High-Speed-Changing-Curlformers-Stretched/dp/B00C1FXWVI/ref=sr_1_75?ie=UTF8&qid=1395846730&sr=8-75&keywords=curiformers	No
https://www.amazon.com/Vakind-Curler-Formers-Spiral-Ringlets/dp/B008HUKR6G/ref=sr_1_77?ie=UTF8&qid=1395846752&sr=8-77&keywords=curiformers	No
https://www.amazon.com/Stretched-Hair-Curlers-High-Speed-Changing/dp/B00CGKJ364/ref=sr_1_91?ie=UTF8&qid=1395846807&sr=8-91&keywords=curiformers	No
https://www.amazon.com/Leverage-Curler-Spiral-Ringlet-Rollers/dp/B009RDTNTU/ref=sr_1_92?ie=UTF8&qid=1395846864&sr=8-92&keywords=curiformers	No
https://www.amazon.com/Vakind-Stretched-Magic-Leverage-Curlers-Formers/dp/B009HULFEJ/ref=sr_1_95?ie=UTF8&qid=1395846900&sr=8-95&keywords=curiformers	No
https://www.amazon.com/Vktech-Curler-Formers-Ringlets-Rose-Curling/dp/B008H82L0E/ref=sr_1_96?ie=UTF8&qid=1395846947&sr=8-96&keywords=curiformers	No
https://www.amazon.com/Stretched-Hair-Rollers-High-Speed-Changing/dp/B00C8Z7DFO/ref=sr_1_100?ie=UTF8&qid=1395846988&sr=8-100&keywords=curiformers	No
https://www.amazon.com/Asilk-Hair-Rollers-High-Speed-Changing/dp/B00C4BKVB8/ref=sr_1_101?ie=UTF8&qid=1395847006&sr=8-101&keywords=curiformers	No
https://www.amazon.com/Rollers-Curler-Spiral-Ringlets-Styling/dp/B0012251TO/ref=sr_1_103?ie=UTF8&qid=1395847028&sr=8-103&keywords=curiformers	No
https://www.amazon.com/HappyLife*Stretched-Formers-Ringlets-Leverage/dp/B00193CHDQ/ref=sr_1_104?ie=UTF8&qid=1395847064&sr=8-104&keywords=curiformers	No
https://www.amazon.com/Tone-Family200999-Curlers-Rollers/dp/B008HGXBYOG/ref=sr_1_105?ie=UTF8&qid=1395847088&sr=8-105&keywords=curiformers	No
https://www.amazon.com/Multi-colored-Magic-Leverage-Curlers-Spiral/dp/B00HINMVF6/ref=sr_1_111?ie=UTF8&qid=1395847112&sr=8-111&keywords=curiformers	No
https://www.amazon.com/Fenheus-Curler-Spiral-Ringlets-Formers-Ringlets/dp/B009HULVJA/ref=sr_1_112?ie=UTF8&qid=1395847152&sr=8-112&keywords=curiformers	No
https://www.amazon.com/HappyLife*Curler-Former-Leverage-Stretched/dp/B0012XG54I/ref=sr_1_114?ie=UTF8&qid=1395847179&sr=8-114&keywords=vakind	Yes
https://www.amazon.com/Vakind-Curler-Ringlets-Leverage-Stretched/dp/B009HUKLW/ref=sr_1_17?ie=UTF8&qid=1395847289&sr=8-17&keywords=vakind	Yes
https://www.amazon.com/Vakind-Stretched-Formers-Ringlets-Leverage/dp/B009HULDVG/ref=sr_1_2?ie=UTF8&qid=1395847384&sr=8-2&keywords=vakind	Yes
https://www.amazon.com/TSSS-Curler-Ringlets-Leverage-Stretched/dp/B00H06EJ4G/ref=sr_1_3?ie=UTF8&qid=1395847406&sr=8-3&keywords=vakind	Yes
https://www.amazon.com/Stretched-Leverage-Ringlets-Rollers-Curlers/dp/B009HULUNW/ref=sr_1_3?ie=UTF8&qid=1395847437&sr=8-3&keywords=vakind	Yes
https://www.amazon.com/Vakind-Stretched-Leverage-Ringlets-Formers/dp/B009HULDMM/ref=sr_1_6?ie=UTF8&qid=1395847483&sr=8-6&keywords=vakind	Yes
https://www.amazon.com/MelodySusie-Quality-Fashion-Curlformer-Glamour/dp/B00GZ648RO/ref=sr_1_11?ie=UTF8&qid=1395847508&sr=8-11&keywords=vakind	Yes

Sold By & Seller Information

VegasWind / Vakind	
Houseweety	
GYN / MelodySusie	
efiver / MelodySusie	
HQdeals / HollyHorse	
Winstonia / AToshin	
winwinzonece	
TSSS / HappyLife	
metromall66	
Metro Fulfillment House	
HQdeals / OceanPlace	
Asilk / eacemall	
Houseweety / VanMore	
Asilk / eacemall	
Vakind / Wellness Corps	
MelodySusie / MelodySusie Direct	
Hair Curlers / eacemall	
Hair Curlers / eacemall	
Asilk / eacemall	
Agile Tech / Nuceeli skin solution	
Asilk / eacemall	
Houseweety	
Asilk / eacemall	
Houseweety	
ShopToday	
Asilk / eacemall	
Rondafu	
Asilk / eacemall	
Asilk / eacemall	
beautyfamily	
Hair Curlers	
RD / Joyshopper	
Vakind / So Beauty	
Asilk / eacemall	
Brightdeal	
metromall66	
Hair Curlers / eacemall	
Angel Of USA / Easybuystore	
Vakind / FENHE US	
Brightdeal	
Hair Rollers / eacemall	
ShopToday	
HappyLife	
2 Tone Family	
Kaigeti / Kaigeti518	
Fenheus	
HappyLife	
Vakind / KikIBO	
Houseweety	
TSSS / Happy GoGo	
Houseweety / efiver	
Vakind / Wellness Corps	
MelodySusie / MelodySusie Direct	

MelodySusie / Kkstar	http://www.amazon.com/MelodySusie-Quality-Fashion-Curiformer-hairless/dp/B00BHRPE8/ref=sr_1_12?ie=UTF8&qid=1395847595&sr=8-12&keywords=vakind	Yes
etro Fulfillment House	http://www.amazon.com/Hair-Rollers-High-speed-Changing-Curlers/dp/B00926EUK/ref=sr_1_13?ie=UTF8&qid=1395847595&sr=8-13&keywords=vakind	Yes
Housweety / FENHE US	http://www.amazon.com/Vakind-Stretched-Leverage-Ringlets-Formers/dp/B00926EUK/ref=sr_1_14?ie=UTF8&qid=1395847595&sr=8-14&keywords=vakind	No
Vakind / So Beauty	http://www.amazon.com/Vakind-Stretched-Formers-Ringlets-Leverage/dp/B009HUL476/ref=sr_1_15?ie=UTF8&qid=1395847624&sr=8-15&keywords=vakind	No
HQdeal / OceanPlace	http://www.amazon.com/FORMERS-NARROW-SPRAL-CURLERS-ROLLERS/dp/B008A38618/ref=sr_1_17?ie=UTF8&qid=1395847656&sr=8-17&keywords=vakind	Yes
Winstonia / Cyberkin	http://www.amazon.com/18pcs-Rollers-Styling-Curler-Natural/dp/B008G43216/ref=sr_1_19?ie=UTF8&qid=1395847691&sr=8-19&keywords=vakind	Yes
winnzone / EIOO TECH	http://www.amazon.com/Curiformers-Magic-Leverage-Spiral-Curlers/dp/B00CSJHOUK/ref=sr_1_21?ie=UTF8&qid=1395847724&sr=8-21&keywords=vakind	No
MelodySusie / Favoritemall	http://www.amazon.com/MelodySusie-Quality-Fashion-Curiformer-hairless/dp/B008FH4H4K/ref=sr_1_22?ie=UTF8&qid=1395847766&sr=8-22&keywords=vakind	Yes
Hair Rollers / awtangi2008	http://www.amazon.com/Hair-Rollers-high-speed-changing-curlers/dp/B009YTMGSQ/ref=sr_1_27?ie=UTF8&qid=1395847795&sr=8-27&keywords=vakind	No
Brightdeal	http://www.amazon.com/Vakind-Curler-Formers-Spiral-Curlers/dp/B008UKRG4/ref=sr_1_33?ie=UTF8&qid=1395847855&sr=8-33&keywords=vakind	Yes
MelodySusie / GGXSAM	http://www.amazon.com/FORMERS-NARROW-SPRAL-CURLERS-ROLLERS/dp/B008A376KG/ref=sr_1_45?ie=UTF8&qid=1395847861&sr=8-45&keywords=vakind	No
Vakind / New Discovery	http://www.amazon.com/Vakind-Stretched-Rollers-Curlers-Leverage-Ringlets/dp/B009HUL476/ref=sr_1_60?ie=UTF8&qid=1395847911&sr=8-60&keywords=vakind	Yes
Trifling	http://www.amazon.com/Vakind-Curler-Ringlets-Leverage-Ringlets/dp/B009HUL476/ref=sr_1_100?ie=UTF8&qid=1395847960&sr=8-100&keywords=vakind	No
Vakind / KIKIBO	http://www.amazon.com/Vakind-Stretched-Formers-Ringlets-Leverage/dp/B009HUL476/ref=sr_1_17?ie=UTF8&qid=1395848052&sr=8-17&keywords=vakind	Yes
Housweety	http://www.amazon.com/Vakind-Stretched-Formers-Ringlets-Leverage/dp/B009HUL476/ref=sr_1_22?ie=UTF8&qid=1395848107&sr=8-22&keywords=vakind	Yes
Vakind / Wellness Corps	http://www.amazon.com/Vakind-Stretched-Leverage-Ringlets-Formers/dp/B009HUL476/ref=sr_1_37?ie=UTF8&qid=1395848145&sr=8-37&keywords=vakind	Yes
Housweety / eRIVER	http://www.amazon.com/Stretched-Leverage-Ringlets-Rollers-Curlers/dp/B009HUL476/ref=sr_1_47?ie=UTF8&qid=1395848176&sr=8-47&keywords=vakind	Yes
MelodySusie / MelodySusie Direct	http://www.amazon.com/MelodySusie-Quality-Fashion-Curiformer-hairless/dp/B009HUL476/ref=sr_1_57?ie=UTF8&qid=1395848256&sr=8-57&keywords=vakind	Yes
HQdeal / eRIVER	http://www.amazon.com/18pcs-Rollers-Styling-Curler-Natural/dp/B008G43216/ref=sr_1_107?ie=UTF8&qid=1395848321&sr=8-107&keywords=vakind	Yes
MelodySusie / Favoritemall	http://www.amazon.com/MelodySusie-Quality-Fashion-Curiformer-hairless/dp/B008FH4H4K/ref=sr_1_117?ie=UTF8&qid=1395848375&sr=8-117&keywords=vakind	Yes
HQdeal / OceanPlace	http://www.amazon.com/FORMERS-NARROW-SPRAL-CURLERS-ROLLERS/dp/B008A376KG/ref=sr_1_167?ie=UTF8&qid=1395848400&sr=8-167&keywords=vakind	Yes
Winstonia / Cyberkin	http://www.amazon.com/Curiformers-Magic-Leverage-Spiral-Curlers/dp/B00CSJHOUK/ref=sr_1_177?ie=UTF8&qid=1395848425&sr=8-177&keywords=vakind	No
MelodySusie / GGXSAM	http://www.amazon.com/Hair-Rollers-High-speed-Changing-Curlers/dp/B009YTMGSQ/ref=sr_1_197?ie=UTF8&qid=1395848463&sr=8-197&keywords=vakind	Yes
winnzone / EIOO TECH	http://www.amazon.com/Hair-Rollers-high-speed-changing-curlers/dp/B009YTMGSQ/ref=sr_1_217?ie=UTF8&qid=1395848471&sr=8-217&keywords=vakind	No
Metro Fulfillment House	http://www.amazon.com/Vakind-Stretched-Formers-Ringlets-Leverage/dp/B009HUL476/ref=sr_1_23?ie=UTF8&qid=1395848494&sr=8-23&keywords=vakind	No
Hair Rollers / awtangi2008	http://www.amazon.com/Housweety-Styling-Formers-Leverage-Rollers/dp/B008UKRG4/ref=sr_1_24?ie=UTF8&qid=1395848515&sr=8-24&keywords=vakind	Yes
Vakind / So Beauty	http://www.amazon.com/Vakind-Curler-Formers-Spiral-Curlers/dp/B008UKRG4/ref=sr_1_25?ie=UTF8&qid=1395848578&sr=8-25&keywords=vakind	Yes
Housweety	http://www.amazon.com/Vakind-Stretched-Leverage-Ringlets-Formers/dp/B009HUL476/ref=sr_1_26?ie=UTF8&qid=1395848555&sr=8-26&keywords=vakind	No
Brightdeal	http://www.amazon.com/Aisilk-Stretched-diameter-High-speed-Curiformers/dp/B00CP09SHK/ref=sr_1_27?ie=UTF8&qid=1395848591&sr=8-27&keywords=vakind	No
Vakind / FENHE US	http://www.amazon.com/Vakind-Curler-Ringlets-Leverage-Stretched/dp/B009HUL476/ref=sr_1_12?ie=UTF8&qid=1395921047&sr=1-12&keywords=magic+leverage	Yes
Aisilk / eacrcmall	http://www.amazon.com/Vakind-Stretched-Formers-Ringlets-Leverage/dp/B009HUL476/ref=sr_1_15?ie=UTF8&qid=1395921084&sr=1-15&keywords=magic+leverage	Yes
Vakind / Buffalo Spring	http://www.amazon.com/Curiformers-Magic-Leverage-Spiral-Curlers/dp/B009HUL476/ref=sr_1_17?ie=UTF8&qid=1395921179&sr=1-17&keywords=magic+leverage	Yes
Housweety	http://www.amazon.com/Hair-Rollers-high-speed-changing-curlers/dp/B009YTMGSQ/ref=sr_1_17?ie=UTF8&qid=1395921234&sr=1-17&keywords=magic+leverage	Yes
winnzone / EIOO TECH	http://www.amazon.com/Hair-Rollers-high-speed-changing-curlers/dp/B009YTMGSQ/ref=sr_1_17?ie=UTF8&qid=1395921234&sr=1-17&keywords=magic+leverage	Yes
Hair Rollers / awtangi2008	http://www.amazon.com/Hair-Rollers-high-speed-changing-curlers/dp/B009YTMGSQ/ref=sr_1_17?ie=UTF8&qid=1395921234&sr=1-17&keywords=magic+leverage	Yes
MelodySusie / Favoritemall	http://www.amazon.com/Housweety-Styling-Formers-Leverage-Rollers/dp/B008K79FS/ref=sr_1_7?ie=UTF8&qid=1395921108&sr=1-7&keywords=magic+leverage	Yes
Housweety	http://www.amazon.com/Stretched-Leverage-Ringlets-Formers-Rollers/dp/B009HUL476/ref=sr_1_108?ie=UTF8&qid=1395921268&sr=1-108&keywords=magic+leverage	Yes
winnzone / TSSS	http://www.amazon.com/Aisilk-Stretched-diameter-High-speed-Curiformers/dp/B00CP09SHK/ref=sr_1_11?ie=UTF8&qid=1395921292&sr=1-11&keywords=magic+leverage	Yes
Mistro Fulfillment House	http://www.amazon.com/Aisilk-Warranty-Formers-Leverage-Ringlets-Leverage/dp/B009HUL476/ref=sr_1_13?ie=UTF8&qid=1395921329&sr=1-13&keywords=magic+leverage	Yes
HQdeal / HolyHouse	http://www.amazon.com/Hair-Rollers-High-speed-Changing-Curlers/dp/B009YTMGSQ/ref=sr_1_13?ie=UTF8&qid=1395921329&sr=1-13&keywords=magic+leverage	Yes
Aisilk / eacrcmall	http://www.amazon.com/Hair-Rollers-High-speed-Changing-Curlers/dp/B009YTMGSQ/ref=sr_1_13?ie=UTF8&qid=1395921329&sr=1-13&keywords=magic+leverage	Yes
MelodySusie / GGXSAM	http://www.amazon.com/FORMERS-NARROW-SPRAL-CURLERS-ROLLERS/dp/B008A38618/ref=sr_1_109?ie=UTF8&qid=1395921351&sr=1-109&keywords=magic+leverage	Yes
Shop4U / toworid18	http://www.amazon.com/Multi-colored-Magic-Leverage-Curlers-Spiral/dp/B009YTMGSQ/ref=sr_1_177?ie=UTF8&qid=1395921386&sr=1-177&keywords=magic+leverage	Yes
Housweety	http://www.amazon.com/Housweety-Hairdressing-Leverage-Styling-Formers/dp/B00DSK5E3E/ref=sr_1_19?ie=UTF8&qid=1395921422&sr=1-19&keywords=magic+leverage	Yes
Agile Tech / Nurell skin solution	http://www.amazon.com/Leverage-Rollers-Curler-Spiral-Curlers/dp/B009ROTNDU/ref=sr_1_20?ie=UTF8&qid=1395921458&sr=1-20&keywords=magic+leverage	Yes
MelodySusie / Kkstar	http://www.amazon.com/MelodySusie-Quality-Fashion-Curiformer-hairless/dp/B00BHRPE8/ref=sr_1_24?ie=UTF8&qid=1395921590&sr=1-24&keywords=magic+leverage	No
Vakind / Family run-Shop	http://www.amazon.com/Vakind-Stretched-Formers-Ringlets-Leverage/dp/B009HUL476/ref=sr_1_25?ie=UTF8&qid=1395921640&sr=1-25&keywords=magic+leverage	Yes
Aisilk / eacrcmall	http://www.amazon.com/Housweety-Stretched-Formers-Ringlets-Leverage/dp/B009HUL476/ref=sr_1_26?ie=UTF8&qid=1395921640&sr=1-26&keywords=magic+leverage	No
Aisilk / eacrcmall	http://www.amazon.com/Aisilk-Stretched-Ringlets-Leverage-High-speed/dp/B00CP6N6Z2/ref=sr_1_13?ie=UTF8&qid=1395921640&sr=1-13&keywords=magic+leverage	No
Angel Of USA / Easybystore	http://www.amazon.com/Aisilk-High-speed-Changing-Curiformers-Ringlets/dp/B00E3U5X32/ref=sr_1_29?ie=UTF8&qid=1395921640&sr=1-29&keywords=magic+leverage	No
Vakind / New Discovery	http://www.amazon.com/Leverage-Curler-Spiral-Ringlet-Rollers/dp/B009HUL476/ref=sr_1_30?ie=UTF8&qid=1395921640&sr=1-30&keywords=magic+leverage	No
Housweety	http://www.amazon.com/Vakind-Stretched-Leverage-Ringlets-Formers/dp/B009HUL476/ref=sr_1_31?ie=UTF8&qid=1395921640&sr=1-31&keywords=magic+leverage	No
Housweety	http://www.amazon.com/Housweety-Stretched-Leverage-Ringlets-Formers/dp/B009HUL476/ref=sr_1_32?ie=UTF8&qid=1395921640&sr=1-32&keywords=magic+leverage	Yes

Flnejo	http://www.amazon.com/Finejo-Curler-Ringlets-Leverage-Stretched/dp/B00FGIPEFO/ref=sr_1_33?z=beauty&ie=UTF8&qid=1395921640&sr=1-33&keywords=magic+leverage	No
Housweety	http://www.amazon.com/Housweety-Stretched-Leverage-Ringlets-Rollers/dp/B00G3X1Y4Y/ref=sr_1_34?z=beauty&ie=UTF8&qid=1395921640&sr=1-34&keywords=magic+leverage	No
Asilk / eacsmall	http://www.amazon.com/Asilk-Stretched-High-speed-Changing-Curlformers/dp/B00C9NPEYF/ref=sr_1_35?z=beauty&ie=UTF8&qid=1395921640&sr=1-35&keywords=magic+leverage	No
ShopToday	http://www.amazon.com/Rollers-Curler-Spiral-Ringlets-Styling/dp/B00H1VSVQO/ref=sr_1_36?z=beauty&ie=UTF8&qid=1395921640&sr=1-36&keywords=magic+leverage	Yes
Asilk / eacsmall	http://www.amazon.com/Asilk-Stretched-Ringlets-Leverage-High-speed/dp/B009PC64QO/ref=sr_1_37?z=beauty&ie=UTF8&qid=1395921640&sr=1-37&keywords=magic+leverage	No
Vakind / New Discovery	http://www.amazon.com/Vakind-Stretched-Rollers-Leverage-Ringlets/dp/B009HJUI6O/ref=sr_1_38?z=beauty&ie=UTF8&qid=1395921640&sr=1-38&keywords=magic+leverage	No
Housweety	http://www.amazon.com/Housweety-Hairdressing-Leverage-Styling-Formers/dp/B00DSKES3E/ref=sr_1_39?z=beauty&ie=UTF8&qid=1395921640&sr=1-39&keywords=magic+leverage	No
Asilk / eacsmall	http://www.amazon.com/Asilk-Stretched-Ringlets-Leverage-Curling/dp/B00C05DE3O/ref=sr_1_40?z=beauty&ie=UTF8&qid=1395921640&sr=1-40&keywords=magic+leverage	No
Topicker	http://www.amazon.com/Topicker-Curler-Ringlets-Leverage-Stretched/dp/B00C8H3NCK/ref=sr_1_41?z=beauty&ie=UTF8&qid=1395921640&sr=1-41&keywords=magic+leverage	Yes
HappyLife	http://www.amazon.com/HappyLife*-Stretched-Formers-Ringlets-Leverage/dp/B00153CHOD/ref=sr_1_42?z=beauty&ie=UTF8&qid=1395921640&sr=1-42&keywords=magic+leverage	No
Asilk / eacsmall	http://www.amazon.com/Asilk-Stretched-High-speed-Changing-Curlformers/dp/B00C07KCC/ref=sr_1_43?z=beauty&ie=UTF8&qid=1395921640&sr=1-43&keywords=magic+leverage	No
Asilk / eacsmall	http://www.amazon.com/Asilk-Hair-Rollers-High-speed-Changing/dp/B00CPNXT8T/ref=sr_1_44?z=beauty&ie=UTF8&qid=1395921640&sr=1-44&keywords=magic+leverage	No
Asilk / eacsmall	http://www.amazon.com/Asilk-Stretched-15-7inch-diameter-High-speed/dp/B0010V81B1/ref=sr_1_45?z=beauty&ie=UTF8&qid=1395921640&sr=1-45&keywords=magic+leverage	No
Great Deal Happy	http://www.amazon.com/URgreat-Curler-Spiral-Ringlets/dp/B00CCMBKVC/ref=sr_1_46?z=beauty&ie=UTF8&qid=1395921640&sr=1-46&keywords=magic+leverage	No
Ugreat	http://www.amazon.com/Asilk-Stretched-15-7inch-diameter-High-speed/dp/B00C0UJUIO/ref=sr_1_47?z=beauty&ie=UTF8&qid=1395921640&sr=1-47&keywords=magic+leverage	No
Asilk / eacsmall	http://www.amazon.com/Asilk-Stretched-High-speed/dp/B001Y2PCIK/ref=sr_1_48?z=beauty&ie=UTF8&qid=1395921640&sr=1-48&keywords=magic+leverage	No
ShopToday	http://www.amazon.com/LOUISE-MAELYS-Rollers-Ringlets-Styling/dp/B00JZS1TIO/ref=sr_1_49?z=beauty&ie=UTF8&qid=1395921640&sr=1-49&keywords=magic+leverage	No
Asilk / eacsmall	http://www.amazon.com/19Beauty-Curler-Ringlets-Leverage-Stretched/dp/B00IBCLJ2DY/ref=sr_1_50?z=beauty&ie=UTF8&qid=1395921640&sr=1-50&keywords=magic+leverage	No
Sellingpillar	http://www.amazon.com/Leverage-Curler-Spiral-Ringlet/dp/B00CPWUUR6/ref=sr_1_51?z=beauty&ie=UTF8&qid=1395921640&sr=1-51&keywords=magic+leverage	No
Shop4 / toworld18	http://www.amazon.com/Multi-colored-Magic-Leverage-Curlers-Spiral/dp/B009SZWBWS/ref=sr_1_52?z=beauty&ie=UTF8&qid=1395921640&sr=1-52&keywords=magic+leverage	No
Hair Curlers / eacsmall	http://www.amazon.com/Housweety-Circle-Styling-Formers-Leverage/dp/B00CK8TRPO/ref=sr_1_53?z=beauty&ie=UTF8&qid=1395921640&sr=1-53&keywords=magic+leverage	No
Housweety	http://www.amazon.com/Asilk-Stretched-Ringlets-Leverage-High-speed/dp/B00D5IOWM7/ref=sr_1_54?z=beauty&ie=UTF8&qid=1395921640&sr=1-54&keywords=magic+leverage	Yes
Asilk / eacsmall	http://www.amazon.com/Asilk-Stretched-Ringlets-Leverage-High-speed/dp/B00CP6R1KC/ref=sr_1_55?z=beauty&ie=UTF8&qid=1395921640&sr=1-55&keywords=magic+leverage	Yes
Hair Curlers / eacsmall	http://www.amazon.com/Asilk-Promotion-Hair-Rollers-Curler/dp/B00CHNZLUC/ref=sr_1_56?z=beauty&ie=UTF8&qid=1395921640&sr=1-56&keywords=magic+leverage	No
Hair Curlers / eacsmall	http://www.amazon.com/Asilk-Promotion-Hair-Rollers-Curler/dp/B00CHNZLUC/ref=sr_1_57?z=beauty&ie=UTF8&qid=1395921640&sr=1-57&keywords=magic+leverage	No
Finejo	http://www.amazon.com/Finejo-Curlers-Spiral-Ringlets-Rollers/dp/B00FJFCVCO/ref=sr_1_58?z=beauty&ie=UTF8&qid=1395921640&sr=1-58&keywords=magic+leverage	No
Asilk / eacsmall	http://www.amazon.com/Asilk-Stretched-High-speed-Changing-Curlformers/dp/B00C60BFOJ/ref=sr_1_59?z=beauty&ie=UTF8&qid=1395921640&sr=1-59&keywords=magic+leverage	No
Asilk / eacsmall	http://www.amazon.com/Asilk-Stretched-High-speed-Changing-Curlformers/dp/B00C1FPMWJ/ref=sr_1_60?z=beauty&ie=UTF8&qid=1395921640&sr=1-60&keywords=magic+leverage	No
Asilk / eacsmall	http://www.amazon.com/Asilk-Stretched-diameter-high-speed-Changing/dp/B00DPK36NA/ref=sr_1_61?z=beauty&ie=UTF8&qid=1395921640&sr=1-61&keywords=magic+leverage	No
Hair Curlers / eacsmall	http://www.amazon.com/Asilk-Stretched-High-speed-Changing-Curlformers/dp/B00C4ARNGG/ref=sr_1_62?z=beauty&ie=UTF8&qid=1395921640&sr=1-62&keywords=magic+leverage	No
Hair Curlers / eacsmall	http://www.amazon.com/Asilk-Hair-Rollers-Styling-Natural/dp/B00CGILKXQ/ref=sr_1_63?z=beauty&ie=UTF8&qid=1395921640&sr=1-63&keywords=magic+leverage	No
Hair Curlers / eacsmall	http://www.amazon.com/Stretched-Hair-Rollers-High-speed-Changing/dp/B00CH27DFO/ref=sr_1_64?z=beauty&ie=UTF8&qid=1395921640&sr=1-64&keywords=magic+leverage	No
Asilk / eacsmall	http://www.amazon.com/Asilk-Stretched-Hair-Rollers-High-speed-Changing/dp/B00C0VBVEB/ref=sr_1_65?z=beauty&ie=UTF8&qid=1395921640&sr=1-65&keywords=magic+leverage	No
Hair Curlers / eacsmall	http://www.amazon.com/Asilk-Hair-Rollers-High-speed-Changing/dp/B00CG1361G/ref=sr_1_66?z=beauty&ie=UTF8&qid=1395921640&sr=1-66&keywords=magic+leverage	No
Hair Curlers / eacsmall	http://www.amazon.com/Stretched-Hair-Rollers-High-speed-Changing/dp/B00C8262F6/ref=sr_1_67?z=beauty&ie=UTF8&qid=1395921640&sr=1-67&keywords=magic+leverage	No
Asilk / eacsmall	http://www.amazon.com/Asilk-Stretched-21inch-High-speed-Changing/dp/B00C8N86PF/ref=sr_1_68?z=beauty&ie=UTF8&qid=1395921640&sr=1-68&keywords=magic+leverage	No
Asilk / eacsmall	http://www.amazon.com/Asilk-Stretched-High-speed-Changing-Styling/dp/B00CNSJ2XA/ref=sr_1_69?z=beauty&ie=UTF8&qid=1395921640&sr=1-69&keywords=magic+leverage	No
Asilk / eacsmall	http://www.amazon.com/WAWO-leverage-High-speed-Changing/dp/B00E0DALHC/ref=sr_1_70?z=beauty&ie=UTF8&qid=1395921640&sr=1-70&keywords=magic+leverage	No
Asilk / eacsmall	http://www.amazon.com/HappyLife*-Curler-Former-Leverage-Stretched/dp/B002UGS4/ref=sr_1_71?z=beauty&ie=UTF8&qid=1395921640&sr=1-71&keywords=magic+leverage	No
WAWO	http://www.amazon.com/8482-Ringlets-Leverage-Stretched-Rollers/dp/B001315ZQJ/ref=sr_1_72?z=beauty&ie=UTF8&qid=1395921640&sr=1-72&keywords=magic+leverage	Yes
HappyLife	http://www.amazon.com/Shift_Forwards-Ringlets-Leverage-Stretched-Curlers-20pc/dp/B002UR771/ref=sr_1_73?z=beauty&ie=UTF8&qid=1395921640&sr=1-73&keywords=magic+leverage	No
P&L / Bangbo Group	http://www.amazon.com/Stretched-Rollers-Curlers-Leverage-Ringlets/dp/B0019BTV64/ref=sr_1_74?z=beauty&ie=UTF8&qid=1395921640&sr=1-74&keywords=magic+leverage	No
Shift_forwards	http://www.amazon.com/Shift_Forwards-Ringlets-Leverage-Ringlets/dp/B002V2D02/ref=sr_1_75?z=beauty&ie=UTF8&qid=1395921640&sr=1-75&keywords=magic+leverage	No
Trifing	http://www.amazon.com/Stretched-Rollers-Curlers-Leverage-Ringlets/dp/B0019BTV64/ref=sr_1_76?z=beauty&ie=UTF8&qid=1395921640&sr=1-76&keywords=magic+leverage	No
Generic / ServiceUno TL	http://www.amazon.com/19inch-Curler-Formers-Ringlets-Leverage/dp/B00FN8Y80/ref=sr_1_77?z=beauty&ie=UTF8&qid=1395921640&sr=1-77&keywords=magic+leverage	No
Shift_forwards	http://www.amazon.com/Shift_Forwards-Ringlets-Leverage-Ringlets/dp/B002V2D02/ref=sr_1_78?z=beauty&ie=UTF8&qid=1395921640&sr=1-78&keywords=magic+leverage	No
Applebeauty	http://www.amazon.com/Stretched-Leverage-Ringlets-Rollers-Curlers/dp/B007849393/ref=sr_1_79?z=beauty&ie=UTF8&qid=1395921640&sr=1-79&keywords=magic+leverage	No
Shift_forwards	http://www.amazon.com/Shift_Forwards-Stretched-Formers-Ringlets-Leverage/dp/B0018D0D70/ref=sr_1_80?z=beauty&ie=UTF8&qid=1395921640&sr=1-80&keywords=magic+leverage	No
19Beauty	http://www.amazon.com/19Beauty-Stretched-Formers-Ringlets-Leverage/dp/B0018D0D70/ref=sr_1_81?z=beauty&ie=UTF8&qid=1395921640&sr=1-81&keywords=magic+leverage	No
Topicker	http://www.amazon.com/Topicker-Stretched-Leverage-Ringlets-Formers/dp/B0018D0D70/ref=sr_1_82?z=beauty&ie=UTF8&qid=1395921640&sr=1-82&keywords=magic+leverage	No
Fenheus	http://www.amazon.com/Fenheus-Curler-Leverage-Formers-Ringlets/dp/B0018D0D70/ref=sr_1_83?z=beauty&ie=UTF8&qid=1395921640&sr=1-83&keywords=magic+leverage	No
Housweety	http://www.amazon.com/Housweety-Stretched-Leverage-Ringlets-Rollers/dp/B00H9SEW8/ref=sr_1_84?z=beauty&ie=UTF8&qid=1395921640&sr=1-84&keywords=magic+leverage	No
Maigc Hair / Forever23	http://www.amazon.com/Circle-Hair-Styling-Roller-Curler-Random/dp/B00DQJ3MLW/ref=sr_1_85?z=beauty&ie=UTF8&qid=1395921640&sr=1-85&keywords=magic+leverage	No
Vakind / Housweety	http://www.amazon.com/Vakind-Curler-Ringlets-Leverage-Stretched/dp/B009HJUI6O/ref=sr_1_86?z=beauty&ie=UTF8&qid=1395921640&sr=1-86&keywords=magic+leverage	Yes
wimwinzone / Save Goldss	http://www.amazon.com/Curlformers-Magic-Leverage-Spiral-Curlers/dp/B00CS3H0UK/ref=sr_1_87?z=beauty&ie=UTF8&qid=1395921640&sr=1-87&keywords=magic+leverage+extra+wide	Yes
Vakind / Housweety	http://www.amazon.com/Vakind-Curler-Ringlets-Leverage-Stretched/dp/B009HJUI6O/ref=sr_1_88?z=beauty&ie=UTF8&qid=1395921640&sr=1-88&keywords=magic+leverage	Yes

Housweety	https://www.amazon.com/Vakind-Stretched-Formers-Ringlets-Leverage/dp/B009HULDYV/ref=sr_1_27?ie=UTF8&qid=1395923222&sr=1-2&keywords=magic+leverage	Yes
TSSS	https://www.amazon.com/TSSS-Curler-Ringlets-Leverage-Stretched/dp/B00H06EU4G/ref=sr_1_37?ie=UTF8&qid=1395923222&sr=1-3&keywords=magic+leverage	Yes
Aisilk / eacccmail	https://www.amazon.com/Stretched-Leverage-Ringlets-Rollers-Curlers/dp/B009HULDYV/ref=sr_1_47?ie=UTF8&qid=1395923222&sr=1-4&keywords=magic+leverage	Yes
winnazone / Atoshin	https://www.amazon.com/Aisilk-Warranty-Ringlets-Leverage-high-speed/dp/B00CP6N1V62/ref=sr_1_57?ie=UTF8&qid=1395923222&sr=1-5&keywords=magic+leverage	No
Housweety	https://www.amazon.com/18pcs-Rollers-Styling-Curler-Natural/dp/B008G43216/ref=sr_1_67?ie=UTF8&qid=1395923222&sr=1-6&keywords=magic+leverage	Yes
Agile Tech / Nucell skin solution	https://www.amazon.com/Housweety-Styling-Formers-Leverage-Rollers/dp/B008G43216/ref=sr_1_75?ie=UTF8&qid=1395923222&sr=1-7&keywords=magic+leverage	Yes
Vakind / Wellness Corps	https://www.amazon.com/Leverage-Rollers-Curler-Spiral-Ringlets/dp/B009RDTNDG/ref=sr_1_97?ie=UTF8&qid=1395923222&sr=1-9&keywords=magic+leverage	No
winnazone / Save Goldsss	https://www.amazon.com/Vakind-Stretched-Leverage-Ringlets-Formers/dp/B009HULDYV/ref=sr_1_107?ie=UTF8&qid=1395923222&sr=1-10&keywords=magic+leverage	No
MelodySusie / HollyHorse	https://www.amazon.com/Curlformers-Magic-Leverage-Spiral-Curlers/dp/B00CSJHOUU/ref=sr_1_117?ie=UTF8&qid=1395923222&sr=1-11&keywords=magic+leverage	No
Aisilk / eacccmail	https://www.amazon.com/MelodySusie-Quality-Fashion-Curlformer-Harmlss/dp/B008FH4KX/ref=sr_1_127?ie=UTF8&qid=1395923222&sr=1-12&keywords=magic+leverage	Yes
Hair Curlers / Good&idea	https://www.amazon.com/Aisilk-Stretched-Diameter-Ringlets-high-speed/dp/B009YTMG5OJ/ref=sr_1_137?ie=UTF8&qid=1395923222&sr=1-13&keywords=magic+leverage	No
MelodySusie / eRliver	https://www.amazon.com/Hair-Rollers-high-speed-changing-curlers/dp/B009YTMG5OJ/ref=sr_1_147?ie=UTF8&qid=1395923222&sr=1-14&keywords=magic+leverage	Yes
Hair Curlers / eacccmail	https://www.amazon.com/FORMERS-NARROW-SPIRAL-CURLERS-ROLLERS/dp/B008A3B6GK/ref=sr_1_157?ie=UTF8&qid=1395923222&sr=1-15&keywords=magic+leverage	No
HQdeal / OceanPlace	https://www.amazon.com/Stretched-Hair-Rollers-high-speed-Changing/dp/B008CH2GLB/ref=sr_1_167?ie=UTF8&qid=1395923222&sr=1-16&keywords=magic+leverage	No
Metro Fulfillment House	https://www.amazon.com/Aisilk-Stretched-diameter-High-speed-Curlformers/dp/B00CP095HK/ref=sr_1_177?ie=UTF8&qid=1395923222&sr=1-17&keywords=magic+leverage	No
HQdeal / eRliver	https://www.amazon.com/FORMERS-NARROW-SPIRAL-CURLERS-ROLLERS/dp/B008A3B6GK/ref=sr_1_187?ie=UTF8&qid=1395923222&sr=1-18&keywords=magic+leverage	Yes
Vakind / So Beauty	https://www.amazon.com/MelodySusie-Quality-Fashion-Curlformer-Harmlss/dp/B008FH4KX/ref=sr_1_197?ie=UTF8&qid=1395923222&sr=1-19&keywords=magic+leverage	Yes
Housweety	https://www.amazon.com/Vktech-Curler-Formers-Spiral-Ringlets/dp/B008H86CKI/ref=sr_1_207?ie=UTF8&qid=1395923222&sr=1-20&keywords=magic+leverage	Yes
Aisilk / eacccmail	https://www.amazon.com/MelodySusie-Quality-Fashion-Curlformer-Harmlss/dp/B008FH4KX/ref=sr_1_217?ie=UTF8&qid=1395923222&sr=1-21&keywords=magic+leverage	Yes
Aisilk / eacccmail	https://www.amazon.com/Vakind-Stretched-Formers-Ringlets-Leverage/dp/B009HULDYV/ref=sr_1_227?ie=UTF8&qid=1395923222&sr=1-22&keywords=magic+leverage	No
Angel Of USA	https://www.amazon.com/Housweety-Stretched-Formers-Ringlets-Leverage/dp/B008H86CKI/ref=sr_1_237?ie=UTF8&qid=1395923222&sr=1-23&keywords=magic+leverage	Yes
Vakind / FENHE US	https://www.amazon.com/Aisilk-High-speed-Changing-Curlformers-Ringlets/dp/B00E3U5X32/ref=sr_1_247?ie=UTF8&qid=1395923222&sr=1-24&keywords=magic+leverage	No
Housweety	https://www.amazon.com/Vakind-Stretched-Formers-Ringlets-Leverage/dp/B009HULDYV/ref=sr_1_257?ie=UTF8&qid=1395923222&sr=1-25&keywords=magic+leverage	No
Finejo	https://www.amazon.com/Aisilk-Curler-Spiral-Ringlets/dp/B009HULDYV/ref=sr_1_267?ie=UTF8&qid=1395923222&sr=1-26&keywords=magic+leverage	Yes
Aisilk / eacccmail	https://www.amazon.com/Aisilk-Stretched-Leverage-Ringlets-Formers/dp/B009HULDYV/ref=sr_1_277?ie=UTF8&qid=1395923222&sr=1-27&keywords=magic+leverage	No
ShopToday	https://www.amazon.com/Housweety-Stretched-Leverage-Ringlets-Formers/dp/B009HULDYV/ref=sr_1_287?ie=UTF8&qid=1395923222&sr=1-28&keywords=magic+leverage	No
Housweety	https://www.amazon.com/Aisilk-Stretched-Leverage-Ringlets-Formers/dp/B009HULDYV/ref=sr_1_297?ie=UTF8&qid=1395923222&sr=1-29&keywords=magic+leverage	No
Aisilk / eacccmail	https://www.amazon.com/Aisilk-Stretched-Leverage-Ringlets-Formers/dp/B009HULDYV/ref=sr_1_307?ie=UTF8&qid=1395923222&sr=1-30&keywords=magic+leverage	No
Vakind / New Discovery	https://www.amazon.com/Aisilk-Curler-Spiral-Ringlets-Styling/dp/B00HUV5VQJ/ref=sr_1_317?ie=UTF8&qid=1395923222&sr=1-31&keywords=magic+leverage	Yes
Housweety	https://www.amazon.com/Housweety-Stretched-Leverage-Ringlets-Formers/dp/B009HULDYV/ref=sr_1_327?ie=UTF8&qid=1395923222&sr=1-32&keywords=magic+leverage	No
HappyLife	https://www.amazon.com/Aisilk-Stretched-Leverage-Ringlets-Formers/dp/B009HULDYV/ref=sr_1_337?ie=UTF8&qid=1395923222&sr=1-33&keywords=magic+leverage	No
Aisilk / eacccmail	https://www.amazon.com/Aisilk-Stretched-Leverage-Ringlets-Formers/dp/B009HULDYV/ref=sr_1_347?ie=UTF8&qid=1395923222&sr=1-34&keywords=magic+leverage	No
Aisilk / eacccmail	https://www.amazon.com/Aisilk-Stretched-Leverage-Ringlets-Formers/dp/B009HULDYV/ref=sr_1_357?ie=UTF8&qid=1395923222&sr=1-35&keywords=magic+leverage	No
Great Deal Happy	https://www.amazon.com/Topicker-Curler-Ringlets-Leverage-Stretched/dp/B00H83NCKI/ref=sr_1_367?ie=UTF8&qid=1395923222&sr=1-36&keywords=magic+leverage	Yes
Urgreat	https://www.amazon.com/Housweety-Hairdressing-Leverage-Styling-Formers/dp/B008SK5E3E/ref=sr_1_377?ie=UTF8&qid=1395923222&sr=1-37&keywords=magic+leverage	No
LOUSE MAELYS / ShopToday	https://www.amazon.com/Aisilk-Stretched-Leverage-Ringlets-Leverage-high-speed/dp/B00CP6C40Q/ref=sr_1_387?ie=UTF8&qid=1395923222&sr=1-38&keywords=magic+leverage	No
19Beauty	https://www.amazon.com/Aisilk-Stretched-Leverage-Ringlets-Leverage-high-speed/dp/B00CP6C40Q/ref=sr_1_397?ie=UTF8&qid=1395923222&sr=1-39&keywords=magic+leverage	No
digital.HK	https://www.amazon.com/Topicker-Curler-Ringlets-Leverage-Stretched/dp/B00H83NCKI/ref=sr_1_407?ie=UTF8&qid=1395923222&sr=1-40&keywords=magic+leverage	Yes
Shop4U / toworid18	https://www.amazon.com/Aisilk-Stretched-Leverage-Ringlets-Leverage-high-speed/dp/B00CP6C40Q/ref=sr_1_417?ie=UTF8&qid=1395923222&sr=1-41&keywords=magic+leverage	No
Housweety	https://www.amazon.com/Aisilk-Stretched-Leverage-Ringlets-Leverage-high-speed/dp/B00CP6C40Q/ref=sr_1_427?ie=UTF8&qid=1395923222&sr=1-42&keywords=magic+leverage	No
Aisilk / eacccmail	https://www.amazon.com/Aisilk-Stretched-Leverage-Ringlets-Leverage-high-speed/dp/B00CP6C40Q/ref=sr_1_437?ie=UTF8&qid=1395923222&sr=1-43&keywords=magic+leverage	No
Aisilk / eacccmail	https://www.amazon.com/Aisilk-Stretched-Leverage-Ringlets-Leverage-high-speed/dp/B00CP6C40Q/ref=sr_1_447?ie=UTF8&qid=1395923222&sr=1-44&keywords=magic+leverage	No
Aisilk / eacccmail	https://www.amazon.com/Aisilk-Stretched-Leverage-Ringlets-Leverage-high-speed/dp/B00CP6C40Q/ref=sr_1_457?ie=UTF8&qid=1395923222&sr=1-45&keywords=magic+leverage	No
digital.HK	https://www.amazon.com/Aisilk-Stretched-Leverage-Ringlets-Leverage-high-speed/dp/B00CP6C40Q/ref=sr_1_467?ie=UTF8&qid=1395923222&sr=1-46&keywords=magic+leverage	No
Shop4U / toworid18	https://www.amazon.com/Aisilk-Stretched-Leverage-Ringlets-Leverage-high-speed/dp/B00CP6C40Q/ref=sr_1_477?ie=UTF8&qid=1395923222&sr=1-47&keywords=magic+leverage	No
Housweety	https://www.amazon.com/Aisilk-Stretched-Leverage-Ringlets-Leverage-high-speed/dp/B00CP6C40Q/ref=sr_1_487?ie=UTF8&qid=1395923222&sr=1-48&keywords=magic+leverage	No
Aisilk / eacccmail	https://www.amazon.com/Aisilk-Stretched-Leverage-Ringlets-Leverage-high-speed/dp/B00CP6C40Q/ref=sr_1_497?ie=UTF8&qid=1395923222&sr=1-49&keywords=magic+leverage	No
Aisilk / eacccmail	https://www.amazon.com/Aisilk-Stretched-Leverage-Ringlets-Leverage-high-speed/dp/B00CP6C40Q/ref=sr_1_507?ie=UTF8&qid=1395923222&sr=1-50&keywords=magic+leverage	No
Aisilk / eacccmail	https://www.amazon.com/Aisilk-Stretched-Leverage-Ringlets-Leverage-high-speed/dp/B00CP6C40Q/ref=sr_1_517?ie=UTF8&qid=1395923222&sr=1-51&keywords=magic+leverage	No
Aisilk / eacccmail	https://www.amazon.com/Aisilk-Stretched-Leverage-Ringlets-Leverage-high-speed/dp/B00CP6C40Q/ref=sr_1_527?ie=UTF8&qid=1395923222&sr=1-52&keywords=magic+leverage	No
Aisilk / eacccmail	https://www.amazon.com/Aisilk-Stretched-Leverage-Ringlets-Leverage-high-speed/dp/B00CP6C40Q/ref=sr_1_537?ie=UTF8&qid=1395923222&sr=1-53&keywords=magic+leverage	No
Aisilk / eacccmail	https://www.amazon.com/Aisilk-Stretched-Leverage-Ringlets-Leverage-high-speed/dp/B00CP6C40Q/ref=sr_1_547?ie=UTF8&qid=1395923222&sr=1-54&keywords=magic+leverage	No
Aisilk / eacccmail	https://www.amazon.com/Aisilk-Stretched-Leverage-Ringlets-Leverage-high-speed/dp/B00CP6C40Q/ref=sr_1_557?ie=UTF8&qid=1395923222&sr=1-55&keywords=magic+leverage	Yes
Aisilk / eacccmail	https://www.amazon.com/Aisilk-Stretched-Leverage-Ringlets-Leverage-high-speed/dp/B00CP6C40Q/ref=sr_1_567?ie=UTF8&qid=1395923222&sr=1-56&keywords=magic+leverage	No
Aisilk / eacccmail	https://www.amazon.com/Aisilk-Stretched-Leverage-Ringlets-Leverage-high-speed/dp/B00CP6C40Q/ref=sr_1_577?ie=UTF8&qid=1395923222&sr=1-57&keywords=magic+leverage	No
Aisilk / eacccmail	https://www.amazon.com/Aisilk-Stretched-Leverage-Ringlets-Leverage-high-speed/dp/B00CP6C40Q/ref=sr_1_587?ie=UTF8&qid=1395923222&sr=1-58&keywords=magic+leverage	No
Aisilk / eacccmail	https://www.amazon.com/Aisilk-Stretched-Leverage-Ringlets-Leverage-high-speed/dp/B00CP6C40Q/ref=sr_1_597?ie=UTF8&qid=1395923222&sr=1-59&keywords=magic+leverage	No
Aisilk / eacccmail	https://www.amazon.com/Aisilk-Stretched-Leverage-Ringlets-Leverage-high-speed/dp/B00CP6C40Q/ref=sr_1_607?ie=UTF8&qid=1395923222&sr=1-60&keywords=magic+leverage	No
Aisilk / eacccmail	https://www.amazon.com/Aisilk-Stretched-Leverage-Ringlets-Leverage-high-speed/dp/B00CP6C40Q/ref=sr_1_617?ie=UTF8&qid=1395923222&sr=1-61&keywords=magic+leverage	No
Aisilk / eacccmail	https://www.amazon.com/Aisilk-Hair-Rollers-Styling-Natural/dp/B00C6GILXQ/ref=sr_1_627?ie=UTF8&qid=1395923222&sr=1-62&keywords=magic+leverage	No
Hair Curlers / eacccmail	https://www.amazon.com/Stretched-Hair-Rollers-high-speed-Changing/dp/B00C4H7DFO/ref=sr_1_637?ie=UTF8&qid=1395923222&sr=1-63&keywords=magic+leverage	No

EXHIBIT C

http://www.amazon.com/Housweety-Styling-Formers-Stretched/dp/B00D5K79F5/ref=sr_1_47?ie=UTF8&qid=1403193663&sr=8-48&keywords=magic+leverage
http://www.amazon.com/Curlformers-Magic-Leverage-Spiral-Curlers/dp/B00C3H0UJK/ref=sr_1_57?ie=UTF8&qid=1403193663&sr=8-5&keywords=magic+leverage
http://www.amazon.com/Asisik-Warranty-Ringlets-Leverage-High-Speed/dp/B00CP6N6V7/ref=sr_1_67?ie=UTF8&qid=1403193663&sr=8-6&keywords=magic+leverage
http://www.amazon.com/28pcs-Rollers-Natural/dp/B008643216/ref=sr_1_7?ie=UTF8&qid=1403193663&sr=8-7&keywords=magic+leverage
http://www.amazon.com/Housweety-Stretched-Formers-Ringlets-Leverage/dp/B00GX1YUMM/ref=sr_1_87?ie=UTF8&qid=1403193663&sr=8-8&keywords=magic+leverage
http://www.amazon.com/Asisik-Stretched-Diameter-Ringlets-High-Speed/dp/B00CP6E020/ref=sr_1_97?ie=UTF8&qid=1403193663&sr=8-9&keywords=magic+leverage
http://www.amazon.com/Asisik-Stretched-diameter-high-speed-Curlformers/dp/B00CP03SHK/ref=sr_1_107?ie=UTF8&qid=1403193663&sr=8-10&keywords=magic+leverage
http://www.amazon.com/Hair-Rollers-High-Speed-Changing-Curlers/dp/B003Y7MGSQ/ref=sr_1_117?ie=UTF8&qid=1403193663&sr=8-11&keywords=magic+leverage
http://www.amazon.com/Vakind-Stretched-Leverage-Ringlets-Formers/dp/B009HJLDDM/ref=sr_1_127?ie=UTF8&qid=1403193663&sr=8-12&keywords=magic+leverage
http://www.amazon.com/Asisik-Stretched-15-7inch-diameter-high-speed/dp/B00YV0R518/ref=sr_1_137?ie=UTF8&qid=1403193663&sr=8-13&keywords=magic+leverage
http://www.amazon.com/FORMERS-NARROW-SPIRAL-CURLERS-ROLLERS/dp/B00843B658/ref=sr_1_147?ie=UTF8&qid=1403193663&sr=8-14&keywords=magic+leverage
http://www.amazon.com/Asisik-Stretched-15-7inch-diameter-high-speed/dp/B00YV2C1K7/ref=sr_1_157?ie=UTF8&qid=1403193663&sr=8-15&keywords=magic+leverage
http://www.amazon.com/MelodySusie-Quality-Fashion-Curlformers-Hair-rollers/dp/B008F1H4K1/ref=sr_1_167?ie=UTF8&qid=1403193663&sr=8-16&keywords=magic+leverage
http://www.amazon.com/Vakind-Stretched-Formers-Ringlets-Leverage/dp/B009HJLW7C/ref=sr_1_177?ie=UTF8&qid=1403193663&sr=8-17&keywords=magic+leverage
http://www.amazon.com/Vakind-Stretched-Formers-Ringlets-Leverage/dp/B008H665K1/ref=sr_1_187?ie=UTF8&qid=1403193663&sr=8-18&keywords=magic+leverage
http://www.amazon.com/Vakind-Stretched-Leverage-Ringlets-Formers/dp/B009HJLW7C/ref=sr_1_197?ie=UTF8&qid=1403193663&sr=8-19&keywords=magic+leverage
http://www.amazon.com/Vakind-Stretched-Leverage-Ringlets-Formers/dp/B009HJLW7C/ref=sr_1_207?ie=UTF8&qid=1403193663&sr=8-20&keywords=magic+leverage
http://www.amazon.com/Vakind-Stretched-Leverage-Ringlets-Formers/dp/B009HJLW7C/ref=sr_1_217?ie=UTF8&qid=1403193663&sr=8-21&keywords=magic+leverage
http://www.amazon.com/TSS5-24-Stretched-Formers-Ringlets-Leverage/dp/B001M92HBA/ref=sr_1_227?ie=UTF8&qid=1403193663&sr=8-22&keywords=magic+leverage
http://www.amazon.com/Asisik-Hair-Rollers-High-Speed-Changing/dp/B00C4BKJ8J/ref=sr_1_237?ie=UTF8&qid=1403193663&sr=8-23&keywords=magic+leverage
http://www.amazon.com/Hair-Rollers-High-Speed-Changing-Curlers/dp/B00926EULK/ref=sr_1_247?ie=UTF8&qid=1403193663&sr=8-24&keywords=magic+leverage
http://www.amazon.com/MelodySusie-Quality-Fashion-Curlformers-Hair-rollers/dp/B008H665K1/ref=sr_1_257?ie=UTF8&qid=1403193663&sr=8-25&keywords=magic+leverage
http://www.amazon.com/Leverage-Curler-Spiral-Ringlets-Formers/dp/B009RDTNTU/ref=sr_1_267?ie=UTF8&qid=1403193663&sr=8-26&keywords=magic+leverage
http://www.amazon.com/Change-Styling/dp/B00CNSZKKA/ref=sr_1_277?ie=UTF8&qid=1403193663&sr=8-27&keywords=magic+leverage
http://www.amazon.com/Asisik-Stretched-High-Speed/dp/B00D5K79F5/ref=sr_1_287?ie=UTF8&qid=1403193663&sr=8-28&keywords=magic+leverage
http://www.amazon.com/HoopLife-Stretched-Formers-Ringlets-Leverage/dp/B00D5K79F5/ref=sr_1_297?ie=UTF8&qid=1403193663&sr=8-29&keywords=magic+leverage
http://www.amazon.com/FORMERS-NARROW-SPIRAL-CURLERS-ROLLERS/dp/B00843B658/ref=sr_1_307?ie=UTF8&qid=1403193663&sr=8-30&keywords=magic+leverage
http://www.amazon.com/19Beauty-Stretched-Leverage-Ringlets-Formers/dp/B008H665K1/ref=sr_1_317?ie=UTF8&qid=1403193663&sr=8-31&keywords=magic+leverage
http://www.amazon.com/5SimplyHomeFashion-Curler-Ringlets-Leverage-Stretched/dp/B00C19J6V6/ref=sr_1_327?ie=UTF8&qid=1403193663&sr=8-32&keywords=magic+leverage
http://www.amazon.com/Asisik-Stretched-Ringlets-Leverage-High-Speed/dp/B00C62V2V0/ref=sr_1_337?ie=UTF8&qid=1403193663&sr=8-33&keywords=magic+leverage
http://www.amazon.com/Housweety-Stretched-Leverage-Ringlets-Formers/dp/B00D5K79F5/ref=sr_1_347?ie=UTF8&qid=1403193663&sr=8-34&keywords=magic+leverage
http://www.amazon.com/HOSL-Curler-Former-Leverage-Stretched/dp/B0022K6544/ref=sr_1_357?ie=UTF8&qid=1403193663&sr=8-35&keywords=magic+leverage
http://www.amazon.com/19Beauty-Curler-Ringlets-Leverage-Stretched/dp/B008H665K1/ref=sr_1_367?ie=UTF8&qid=1403193663&sr=8-36&keywords=magic+leverage
http://www.amazon.com/LOUISE-MAELNS-Rollers-Ringlets-Styling/dp/B00J25Z6G7/ref=sr_1_377?ie=UTF8&qid=1403193663&sr=8-37&keywords=magic+leverage
http://www.amazon.com/Asisik-Stretched-Ringlets-Leverage-High-Speed/dp/B00C62V2V0/ref=sr_1_387?ie=UTF8&qid=1403193663&sr=8-38&keywords=magic+leverage
http://www.amazon.com/Rollers-Stretched-Leverage-Ringlets-Formers/dp/B00C8B1VMO/ref=sr_1_397?ie=UTF8&qid=1403193663&sr=8-39&keywords=magic+leverage
http://www.amazon.com/Housweety-Hairdressing-Styling-Formers/dp/B00D5K79F5/ref=sr_1_407?ie=UTF8&qid=1403193663&sr=8-40&keywords=magic+leverage
http://www.amazon.com/HOSL-Stretched-Formers-Ringlets-Leverage/dp/B008H665K1/ref=sr_1_417?ie=UTF8&qid=1403193663&sr=8-41&keywords=magic+leverage
http://www.amazon.com/Meta-U-Curler-Ringlets-Leverage-Stretched/dp/B00KML0X47/ref=sr_1_427?ie=UTF8&qid=1403193663&sr=8-42&keywords=magic+leverage
http://www.amazon.com/Asisik-High-Speed-Changing-Curlformers-Ringlets/dp/B00E3US3Z2/ref=sr_1_437?ie=UTF8&qid=1403193663&sr=8-43&keywords=magic+leverage
http://www.amazon.com/Asisik-Stretched-Changing-Curlformers/dp/B00C8B1VMO/ref=sr_1_447?ie=UTF8&qid=1403193663&sr=8-44&keywords=magic+leverage
http://www.amazon.com/Topicker-Ringlets-Leverage-Stretched/dp/B00D5K79F5/ref=sr_1_457?ie=UTF8&qid=1403193663&sr=8-45&keywords=magic+leverage
http://www.amazon.com/GreenTimezone-Curler-Ringlets-Leverage-Stretched/dp/B00KML2NQK/ref=sr_1_467?ie=UTF8&qid=1403193663&sr=8-46&keywords=magic+leverage
http://www.amazon.com/Asisik-Warranty-Twistee-Twisting-Natural/dp/B00511P241/ref=sr_1_477?ie=UTF8&qid=1403193663&sr=8-47&keywords=magic+leverage
http://www.amazon.com/Asisik-Stretched-Ringlets-Leverage-High-Speed/dp/B00C62V2V0/ref=sr_1_487?ie=UTF8&qid=1403193663&sr=8-48&keywords=magic+leverage
http://www.amazon.com/Vakind-Curler-Ringlets-Leverage-Stretched/dp/B008H665K1/ref=sr_1_497?ie=UTF8&qid=1403193663&sr=8-49&keywords=magic+leverage
http://www.amazon.com/Wakind-Curler-Ringlets-Leverage-Stretched/dp/B008H665K1/ref=sr_1_507?ie=UTF8&qid=1403193663&sr=8-50&keywords=magic+leverage
http://www.amazon.com/Housweety-Hairdressing-Styling-Formers/dp/B00D5K79F5/ref=sr_1_517?ie=UTF8&qid=1403193663&sr=8-51&keywords=magic+leverage
http://www.amazon.com/HOSL-Stretched-Formers-Ringlets-Leverage/dp/B008H665K1/ref=sr_1_527?ie=UTF8&qid=1403193663&sr=8-52&keywords=magic+leverage
http://www.amazon.com/Meta-U-Curler-Ringlets-Leverage-Stretched/dp/B00KML0X47/ref=sr_1_537?ie=UTF8&qid=1403193663&sr=8-53&keywords=magic+leverage
http://www.amazon.com/Asisik-High-Speed-Changing-Curlformers-Ringlets/dp/B00E3US3Z2/ref=sr_1_547?ie=UTF8&qid=1403193663&sr=8-54&keywords=magic+leverage
http://www.amazon.com/Asisik-Stretched-Changing-Curlformers/dp/B00C8B1VMO/ref=sr_1_557?ie=UTF8&qid=1403193663&sr=8-55&keywords=magic+leverage
http://www.amazon.com/Topicker-Ringlets-Leverage-Stretched/dp/B00D5K79F5/ref=sr_1_567?ie=UTF8&qid=1403193663&sr=8-56&keywords=magic+leverage
http://www.amazon.com/GreenTimezone-Curler-Ringlets-Leverage-Stretched/dp/B00KML2NQK/ref=sr_1_577?ie=UTF8&qid=1403193663&sr=8-57&keywords=magic+leverage
http://www.amazon.com/Asisik-Warranty-Twistee-Twisting-Natural/dp/B00511P241/ref=sr_1_587?ie=UTF8&qid=1403193663&sr=8-58&keywords=magic+leverage
http://www.amazon.com/Asisik-Stretched-Ringlets-Leverage-High-Speed/dp/B00C62V2V0/ref=sr_1_597?ie=UTF8&qid=1403193663&sr=8-59&keywords=magic+leverage
http://www.amazon.com/Vakind-Curler-Ringlets-Leverage-Stretched/dp/B008H665K1/ref=sr_1_607?ie=UTF8&qid=1403193663&sr=8-60&keywords=magic+leverage
http://www.amazon.com/Wakind-Curler-Ringlets-Leverage-Stretched/dp/B008H665K1/ref=sr_1_617?ie=UTF8&qid=1403193663&sr=8-61&keywords=magic+leverage
http://www.amazon.com/Housweety-Hairdressing-Styling-Formers/dp/B00D5K79F5/ref=sr_1_627?ie=UTF8&qid=1403193663&sr=8-62&keywords=magic+leverage
http://www.amazon.com/Asisik-Stretched-Ringlets-Leverage-High-Speed/dp/B00C62V2V0/ref=sr_1_637?ie=UTF8&qid=1403193663&sr=8-63&keywords=magic+leverage
http://www.amazon.com/Vakind-Curler-Ringlets-Leverage-Stretched/dp/B008H665K1/ref=sr_1_647?ie=UTF8&qid=1403193663&sr=8-64&keywords=magic+leverage
http://www.amazon.com/Housweety-Hairdressing-Styling-Formers/dp/B00D5K79F5/ref=sr_1_657?ie=UTF8&qid=1403193663&sr=8-65&keywords=magic+leverage
http://www.amazon.com/Vakind-Curler-Ringlets-Leverage-Stretched/dp/B008H665K1/ref=sr_1_667?ie=UTF8&qid=1403193663&sr=8-66&keywords=magic+leverage
http://www.amazon.com/Shift_fowards/dp/B00D5K79F5/ref=sr_1_677?ie=UTF8&qid=1403193663&sr=8-67&keywords=magic+leverage
http://www.amazon.com/Hair-Curlers/dp/B00C62V2V0/ref=sr_1_687?ie=UTF8&qid=1403193663&sr=8-68&keywords=magic+leverage
http://www.amazon.com/Topicker-Ringlets-Leverage-Stretched/dp/B00D5K79F5/ref=sr_1_697?ie=UTF8&qid=1403193663&sr=8-69&keywords=magic+leverage
http://www.amazon.com/Hair-Curlers/dp/B00C62V2V0/ref=sr_1_707?ie=UTF8&qid=1403193663&sr=8-70&keywords=magic+leverage
http://www.amazon.com/Topicker-Ringlets-Leverage-Stretched/dp/B00D5K79F5/ref=sr_1_717?ie=UTF8&qid=1403193663&sr=8-71&keywords=magic+leverage
http://www.amazon.com/Asisik-Stretched-Ringlets-Leverage-Curling/dp/B00C03Q3E0/ref=sr_1_727?ie=UTF8&qid=1403193663&sr=8-72&keywords=magic+leverage
http://www.amazon.com/Stretched-High-Speed-Hair-Curlers-Curlformers/dp/B00C62V2V0/ref=sr_1_737?ie=UTF8&qid=1403193663&sr=8-73&keywords=magic+leverage
http://www.amazon.com/FINEJO-Curler-Ringlets-Leverage-Stretched/dp/B008H665K1/ref=sr_1_747?ie=UTF8&qid=1403193663&sr=8-74&keywords=magic+leverage
http://www.amazon.com/Leverage-Curler-Roller-Spiral-Ringlet/dp/B00CPVWVR6/ref=sr_1_757?ie=UTF8&qid=1403193663&sr=8-75&keywords=magic+leverage
http://www.amazon.com/Rollers-Curler-Spiral-Ringlets-Styling/dp/B00HLVWVQJ/ref=sr_1_767?ie=UTF8&qid=1403193663&sr=8-76&keywords=magic+leverage
http://www.amazon.com/Asisik-High-Speed-Changing-Curlformers-Stretched/dp/B00C62V2V0/ref=sr_1_777?ie=UTF8&qid=1403193663&sr=8-77&keywords=magic+leverage
http://www.amazon.com/Housweety-Circle-Styling-Formers-Leverage/dp/B00D5K79F5/ref=sr_1_787?ie=UTF8&qid=1403193663&sr=8-78&keywords=magic+leverage
http://www.amazon.com/Asisik-Stretched-High-Speed-Changing-Curlformers/dp/B00C62V2V0/ref=sr_1_797?ie=UTF8&qid=1403193663&sr=8-79&keywords=magic+leverage
http://www.amazon.com/Meta-U-Curler-Ringlets-Leverage-Stretched/dp/B00KML0X47/ref=sr_1_807?ie=UTF8&qid=1403193663&sr=8-80&keywords=magic+leverage
http://www.amazon.com/Multi-colored-Magic-Leverage-Curlers-Spiral/dp/B00952WBV5/ref=sr_1_817?ie=UTF8&qid=1403193663&sr=8-81&keywords=magic+leverage
http://www.amazon.com/Asisik-Stretched-High-Speed-Changing-Curlformers/dp/B00C62V2V0/ref=sr_1_827?ie=UTF8&qid=1403193663&sr=8-82&keywords=magic+leverage

Asiik	http://www.amazon.com/Asiik-Hair-Rollers-High-speed-Changing-Curlers/dp/B00C9XVUT8/ref=sr_1_967ie=UTF8&qid=1403194619&sr=8-96&keywords=magic+leverage
Finejo	http://www.amazon.com/FINEID-Curlers-Spiral-Ringlets-Rollers/dp/B00FGJFCYO/ref=sr_1_977ie=UTF8&qid=1403194820&sr=8-97&keywords=magic+leverage
Asiik	http://www.amazon.com/Asiik-Rollers-Styling-Curler-Natural/dp/B00CGILRQ0/ref=sr_1_987ie=UTF8&qid=1403194820&sr=8-98&keywords=magic+leverage
Asiik	http://www.amazon.com/Asiik-Stretched-High-speed-Changing-Styling/dp/B00CNS5SAG/ref=sr_1_997ie=UTF8&qid=1403194820&sr=8-99&keywords=magic+leverage
Hair Curlers	http://www.amazon.com/Stretched-Hair-Hollers-High-speed-Changing/dp/B00CHZ7DFO/ref=sr_1_1057ie=UTF8&qid=1403194820&sr=8-105&keywords=magic+leverage
Shift, forwards	http://www.amazon.com/Shift_Forwards-Ringlets-Leverage-Stretched-Curlers-20pcs/dp/B002UR77/ref=sr_1_1067ie=UTF8&qid=1403194820&sr=8-106&keywords=magic+leverage
Greenmezone	http://www.amazon.com/greenmezone-Fashion-Styling-Stretched-Leverage/dp/B00KRWZHQJ/ref=sr_1_1077ie=UTF8&qid=1403194820&sr=8-107&keywords=magic+leverage
Asiik	http://www.amazon.com/Asiik-2inch-High-speed-Changing/dp/B00CNS6P6H/ref=sr_1_1087ie=UTF8&qid=1403194820&sr=8-108&keywords=magic+leverage
Shift, forwards	http://www.amazon.com/Shift_Forwards-Stretched-Leverage-Ringlets-Rollers/dp/B00N0V2DQ2/ref=sr_1_1097ie=UTF8&qid=1403194820&sr=8-109&keywords=magic+leverage
Housweety	http://www.amazon.com/Housweety-Stretched-Leverage-Ringlets-Rollers/dp/B00H0VSEW8/ref=sr_1_1107ie=UTF8&qid=1403194820&sr=8-110&keywords=magic+leverage
Meta4U	http://www.amazon.com/Meta4U-Hair-Curler-Perm-Set/dp/B00KWNUNM4/ref=sr_1_1117ie=UTF8&qid=1403194820&sr=8-111&keywords=magic+leverage
Wocuz	http://www.amazon.com/Wocuz-Curler-Ringlets-Leverage-Stretched/dp/B00DM06847/ref=sr_1_1127ie=UTF8&qid=1403194820&sr=8-112&keywords=magic+leverage
Sinobag	http://www.amazon.com/Sinobag-Ringlets-Leverage-Styling-Natural/dp/B00DA1707/ref=sr_1_1137ie=UTF8&qid=1403194944&sr=8-113&keywords=magic+leverage
applebeauty	http://www.amazon.com/Stretched-Leverage-Ringlets-Rollers-Curlers/dp/B00F848331/ref=sr_1_1147ie=UTF8&qid=1403194994&sr=8-114&keywords=magic+leverage
Magic Hair	http://www.amazon.com/Circle-Hair-Styling-Roller-Curler-Random/dp/B00DGM3153/ref=sr_1_1157ie=UTF8&qid=1403194994&sr=8-115&keywords=magic+leverage
Hango	http://www.amazon.com/Hango-Stretched-Formers-Ringlets-Leverage/dp/B00KZZ0Z0G/ref=sr_1_1167ie=UTF8&qid=1403194994&sr=8-116&keywords=magic+leverage
Hango	http://www.amazon.com/Hango-Stretched-Leverage-Ringlets-Rollers/dp/B00KCUJEC6/ref=sr_1_1177ie=UTF8&qid=1403194994&sr=8-117&keywords=magic+leverage
Generic	http://www.amazon.com/Curler-Spiral-Ringlets-Leverage-Stretched/dp/B00K0JONND/ref=sr_1_1197ie=UTF8&qid=1403195092&sr=8-119&keywords=magic+leverage
Shift, forwards	http://www.amazon.com/Shift_Forwards-Stretched-High-speed-Changing-Curlers/dp/B00KXV7VUY/ref=sr_1_1267ie=UTF8&qid=1403195092&sr=8-126&keywords=magic+leverage
awiang	http://www.amazon.com/18pcs-Rollers-Styling-Curler-Natural/dp/B00M1TESHQ/ref=sr_1_1327ie=UTF8&qid=1403195127&sr=8-132&keywords=magic+leverage
redclourful	http://www.amazon.com/Hair-Rollers-High-speed-Changing-Curlers/dp/B00K7X0ZS7/ref=sr_1_1377ie=UTF8&qid=1403195127&sr=8-137&keywords=magic+leverage
Vakind	http://www.amazon.com/Vakind-Curler-Ringlets-Leverage-Stretched/dp/B009HULXWJ/ref=sr_1_177ie=UTF8&qid=1403195216&sr=8-17&keywords=vakind+curlformers
Housweety	http://www.amazon.com/Vakind-Stretched-Formers-Ringlets-Leverage/dp/B009HULDVG/ref=sr_1_277ie=UTF8&qid=1403195216&sr=8-27&keywords=vakind+curlformers
Vakind	http://www.amazon.com/Vakind-Stretched-Leverage-Ringlets-Rollers/dp/B009HULDVM/ref=sr_1_377ie=UTF8&qid=1403195216&sr=8-37&keywords=vakind+curlformers
Housweety	http://www.amazon.com/Vakind-Stretched-Formers-Ringlets-Leverage/dp/B009HULUWJ/ref=sr_1_477ie=UTF8&qid=1403195216&sr=8-47&keywords=vakind+curlformers
Vakind	http://www.amazon.com/Vakind-Stretched-Formers-Ringlets-Leverage/dp/B009HULG7G/ref=sr_1_677ie=UTF8&qid=1403195216&sr=8-67&keywords=vakind+curlformers
Curls	http://www.amazon.com/FORMERS-NARROW-SPIRAL-CURLERS-ROLLERS/dp/B008A3B6B8/ref=sr_1_777ie=UTF8&qid=1403195216&sr=8-77&keywords=vakind+curlformers
Curly Q's	http://www.amazon.com/FORMERS-NARROW-SPIRAL-CURLERS-ROLLERS/dp/B008A376V6/ref=sr_1_877ie=UTF8&qid=1403195216&sr=8-87&keywords=vakind+curlformers
MelodySusie	http://www.amazon.com/MelodySusie-Quality-Fashion-Curler-Former-hairmess/dp/B008FH4H4K/ref=sr_1_977ie=UTF8&qid=1403195216&sr=8-97&keywords=vakind+curlformers
HQdeal	http://www.amazon.com/MelodySusie-Quality-Fashion-Curler-Former-hairmess/dp/B008H8P6E8/ref=sr_1_1977ie=UTF8&qid=1403195216&sr=8-19&keywords=vakind+curlformers
Winstonia	http://www.amazon.com/MelodySusie-Quality-Fashion-Curler-Former-hairmess/dp/B008H8P6E8/ref=sr_1_1177ie=UTF8&qid=1403195216&sr=8-11&keywords=vakind+curlformers
winnazone	http://www.amazon.com/Curlers-Styling-Curler-Natural/dp/B008G43216/ref=sr_1_1237ie=UTF8&qid=1403195216&sr=8-12&keywords=vakind+curlformers
Metro Fulfillment House	http://www.amazon.com/Curlformers-Magic-Leverage-Spiral-Curlers/dp/B00CSHOUJK/ref=sr_1_1337ie=UTF8&qid=1403195216&sr=8-13&keywords=vakind+curlformers
MelodySusie	http://www.amazon.com/Hair-Rollers-High-speed-Changing-Curlers/dp/B009526E00/ref=sr_1_1377ie=UTF8&qid=1403195342&sr=8-17&keywords=vakind+curlformers
Housweety	http://www.amazon.com/MelodySusie-Quality-Fashion-Curler-Former-hairmess/dp/B008H8P6E8/ref=sr_1_187ie=UTF8&qid=1403195342&sr=8-18&keywords=vakind+curlformers
Hair Rollers - high-speed changing hair curlers Styling Rollers	http://www.amazon.com/Housweety-Styling-Formers-Leverage-Stretched/dp/B00D5K79F5/ref=sr_1_1977ie=UTF8&qid=1403195342&sr=8-19&keywords=vakind+curlformers
MelodySusie	http://www.amazon.com/Hair-Rollers-High-speed-changing-curlers/dp/B003VTMGSSQJ/ref=sr_1_2077ie=UTF8&qid=1403195342&sr=8-20&keywords=vakind+curlformers
Asiik	http://www.amazon.com/MelodySusie-Quality-Fashion-Curler-Former-Glamour/dp/B006Z646R0/ref=sr_1_2377ie=UTF8&qid=1403195342&sr=8-25&keywords=vakind+curlformers
Vakind	http://www.amazon.com/Vakind-Stretched-diameter-High-speed-Curlformers/dp/B00CPO95SHK/ref=sr_1_2677ie=UTF8&qid=1403195342&sr=8-26&keywords=vakind+curlformers
Unknown	http://www.amazon.com/Vakind-Stretched-Leverage-Ringlets-Rollers/dp/B009HULFEJ/ref=sr_1_2777ie=UTF8&qid=1403195342&sr=8-27&keywords=vakind+curlformers
Vakind	http://www.amazon.com/Vakind-Curler-Former-Spiral-Ringlets-Rollers/dp/B008HUKRG4/ref=sr_1_2877ie=UTF8&qid=1403195342&sr=8-28&keywords=vakind+curlformers
Housweety	http://www.amazon.com/Vakind-Curler-Ringlets-Leverage-Stretched/dp/B009HULUWJ/ref=sr_1_177ie=UTF8&qid=1403195438&sr=8-17&keywords=vakind
Vakind	http://www.amazon.com/Vakind-Stretched-Formers-Ringlets-Leverage/dp/B00926EUKJ/ref=sr_1_177ie=UTF8&qid=1403195438&sr=8-17&keywords=vakind
Hair Rollers - high-speed changing hair curlers Styling Rollers	http://www.amazon.com/Vakind-Stretched-Formers-Ringlets-Leverage/dp/B009HULG7G/ref=sr_1_1977ie=UTF8&qid=1403195438&sr=8-19&keywords=vakind
Housweety	http://www.amazon.com/Vakind-Stretched-Leverage-Ringlets-Rollers/dp/B009HULUWJ/ref=sr_1_477ie=UTF8&qid=1403195438&sr=8-47&keywords=vakind
Vakind	http://www.amazon.com/Vakind-Stretched-Leverage-Ringlets-Rollers/dp/B009HULDVM/ref=sr_1_577ie=UTF8&qid=1403195438&sr=8-57&keywords=vakind
Housweety	http://www.amazon.com/Vakind-Stretched-Formers-Ringlets-Leverage/dp/B00926EUKJ/ref=sr_1_777ie=UTF8&qid=1403195438&sr=8-77&keywords=vakind
Vakind	http://www.amazon.com/Vakind-Stretched-Formers-Ringlets-Leverage/dp/B009HULG7G/ref=sr_1_977ie=UTF8&qid=1403195438&sr=8-97&keywords=vakind
Hair Rollers - high-speed changing hair curlers Styling Rollers	http://www.amazon.com/18pcs-Rollers-Styling-Curler-Natural/dp/B008G43216/ref=sr_1_1877ie=UTF8&qid=1403195558&sr=8-18&keywords=vakind
MelodySusie	http://www.amazon.com/Hair-Rollers-High-speed-changing-curlers/dp/B003VTMGSSQJ/ref=sr_1_2877ie=UTF8&qid=1403195558&sr=8-28&keywords=vakind
HQdeal	http://www.amazon.com/MelodySusie-Quality-Fashion-Curler-Former-hairmess/dp/B008H8P6E8/ref=sr_1_3777ie=UTF8&qid=1403195558&sr=8-37&keywords=vakind
Curly Q's	http://www.amazon.com/Vktech-Curler-Former-Spiral-Ringlets/dp/B008H8P6E8/ref=sr_1_4777ie=UTF8&qid=1403195558&sr=8-47&keywords=vakind
winnazone	http://www.amazon.com/FORMERS-NARROW-SPIRAL-CURLERS-ROLLERS/dp/B008A3B6B8/ref=sr_1_5777ie=UTF8&qid=1403195558&sr=8-57&keywords=vakind
Winstonia	http://www.amazon.com/FORMERS-NARROW-SPIRAL-CURLERS-ROLLERS/dp/B008A376V6/ref=sr_1_6777ie=UTF8&qid=1403195558&sr=8-67&keywords=vakind
Hair Rollers - high-speed changing hair curlers Styling Rollers	http://www.amazon.com/Vakind-Stretched-Rollers-Leverage-Ringlets/dp/B009HULUWJ/ref=sr_1_1177ie=UTF8&qid=1403195625&sr=8-11&keywords=vakind
MelodySusie	http://www.amazon.com/Vakind-Curler-Ringlets-Leverage-Stretched/dp/B001WDDHHA/ref=sr_1_8477ie=UTF8&qid=1403195643&sr=8-84&keywords=vakind
Vakind	http://www.amazon.com/MelodySusie-Quality-Fashion-Curler-Former-Glamour/dp/B006Z646R0/ref=sr_1_10677ie=UTF8&qid=1403195668&sr=8-106&keywords=vakind
Hango	http://www.amazon.com/Hango-Stretched-Formers-Ringlets-Leverage/dp/B00KZZ0Z0G/ref=sr_1_14077ie=UTF8&qid=1403195690&sr=8-140&keywords=vakind

EXHIBIT D

6/12/2014

Amazon.com: curlformers

Jai's Amazon.com Today's Deals Gift Cards Sell Help

Shop by Department

Search

Hello, Jai
Your Account

Your Prime

0 Cart

Wish List

1-16 of 229 results for "curlformers"

Choose a Department to sort

Show results for

Related Searches: [curl formers](#), [curlformers extra long and wide](#), [curlformers extra wide](#).

Beauty

- Hair Rollers
- Hair Curl Enhancers
- [+ See more](#)

[+ See All 5 Departments](#)

Refine by

Amazon Prime

Prime

Brand

- Curlformers
- Vakind
- Hair Flair
- Aisilk
- MelodySusie
- Housweety
- winwinzone
- Curls
- Winstonia
- Curly Q's
- Jane Cosmetics
- HQdeal
- Melro Fulfillment House
- Soft 'N Style
- Agile Tech

Hair Type

- Normal
- Dry

Beauty Product Attributes

Natural

Avg. Customer Review

- 4 & Up
- 3 & Up
- 2 & Up
- 1 & Up

International Shipping

AmazonGlobal Eligible

Condition

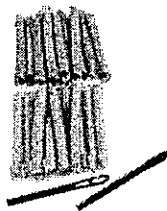
- New
- Used



Vakind Hair Curler Magic Spiral Ringlets Former Leverage Stretched Length 50CM Circle Roller Pack of 40 by Vakind

~~\$79.99~~ **\$12.05** (\$0.50/oz) (686)
 Order in the next 1 hour and get it by Friday, Jun 13.
 More Buying Choices
\$12.05 new (52 offers)
\$11.41 open box (1 offer)

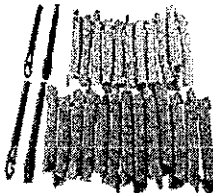
#1 Best Seller in Hair Curl Enhancers
 Beauty: See all 121 items



Vakind Stretched Length 50CM Hair Curler Curl Formers Spiral Ringlets Magic Leverage Circle Pack of 24 by Housweety

~~\$29.99~~ **\$7.95** (107)
 Add it to a qualifying order within 1 hour to get it by Friday, Jun 13
 More Buying Choices
\$7.94 new (27 offers)

Beauty: See all 121 items



MelodySusie High Quality Fashion Cute DIY Magic Rapid Curlformer Super Magic Sexy Glamour Curl/wave Hair Roller... by MelodySusie

~~\$39.99~~ **\$10.46** (69)
 Order in the next 1 hour and get it by Friday, Jun 13.
 More Buying Choices
\$10.46 new (9 offers)

Beauty: See all 121 items



18pcs Hair Rollers Snail Rolls Styling Curler Tools, Easy At Home DIY Natural Way by Winstonia

\$5.69 (189)
 More Buying Choices
\$3.49 new (15 offers)

Beauty: See all 121 items



24 CURL FORMERS

CURL FORMERS 24 EXTRA LONG AND NARROW MAGIC SPIRAL HAIR CURLERS ROLLERS GREEN/BLUE by Curls

\$14.99 (42)
 Order in the next 1 hour and get it by Friday, Jun 13.
 More Buying Choices
\$14.98 new (4 offers)

Product Description
 ... these are not the brand name *curlformers*. These are essentially the ...
 Health & Personal Care: See all 121 items

Ships Fast From USA!



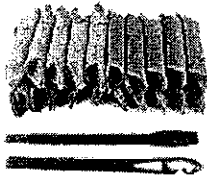
Curlformer Hook by Hair Flair

\$3.49 (30)
 Add it to a qualifying order within 1 hour to get it by Friday, Jun 13
 More Buying Choices
\$3.49 new (3 offers)

Product Description
 ... The *Curlformer* Hook is for use with *Curlformers* to create perfectly ...
 Beauty: See all 121 items

6/12/2014

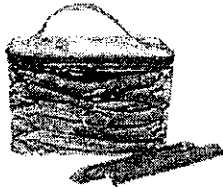
Amazon.com: curlformers



New 20pc Long And Wide Curlformers Magic Leverag Spiral Hair Curlers With Hook by winwinzone

\$10.79
 Order in the next 1 hour and get it by Friday, Jun 13.
 More Buying Choices
\$6.85 new (16 offers)

(14)
Product Description
 ... New 20pc Long And Wide Curlformers Magic Leverag Spiral Hair Curlers ...
Beauty: See all 121 items



Curlformers Extra Long & Wide Styling Kit by Hair Flair

\$69.99
 More Buying Choices
\$67.99 new (3 offers)

(34)
Product Features
 Contains 40 Curlformers
Health & Personal Care: See all 121 items



Jane Carter Solution Wrap and Roll, 8 Oz. by Jane Cosmetics (Aug 9, 2011)

\$10.46 (\$1.31/oz)
 More Buying Choices
\$3.50 new (26 offers)

(65)
Beauty: See all 121 items

24 CURL FORMERS



SHIPS FAST FROM USA!

CURL FORMERS 24 EXTRA LONG AND NARROW MAGIC SPIRAL HAIR CURLERS ROLLERS ORANGE/PINK - INCLUDES HOOK! SHIPS FAST... by Curly Q's

\$25.99
 Only 19 left in stock - order soon.
 More Buying Choices
\$15.99 new (2 offers)

(34)
Product Description
 ... these are not the brand name *curlformers*. These are essentially the ...
Health & Personal Care: See all 121 items



Hair Rollers - High-speed Changing Hair Curlers Styling Rollers (32 Hair Rollers) by Metro Fulfillment House

~~\$20.99~~ **\$12.95**
 Order in the next 1 hour and get it by Friday, Jun 13.

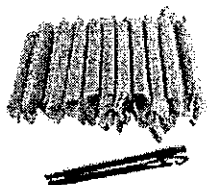
(26)
Beauty: See all 121 items



Vktech 40PCS DIY Magic Hair Curler Curl Formers Spiral Ringlets Roller Salon Set Hair Beauty 50CM by HQdeal

\$17.43
 Only 8 left in stock - order soon.
 More Buying Choices
\$17.42 new (5 offers)

(12)
Health & Personal Care: See all 121 items



MelodySusie High Quality 50pcs/pack Fashion Cute DIY Magic Rapid Curlformer Super Magic Sexy Glamour Curl/wave... by MelodySusie

~~\$59.99~~ **\$24.65**
 Only 13 left in stock - order soon.
 More Buying Choices
\$24.63 new (5 offers)

(29)
Beauty: See all 121 items

Hair Rollers - high-speed changing hair curlers Styling Rollers (16 Hair Rollers) by Hair Rollers - high-

6/12/2014

Amazon.com: curlformers



speed changing hair curlers Styling Rollers

~~\$49.99~~ \$4.24

(115)

More Buying Choices
\$2.59 new (14 offers)

Beauty: See all 121 items



Curlformers Long & Narrow by Hair Flair

\$12.99

(15)

Order in the next 1 hour and get it by Friday, Jun 13.

Product Description

... *Curlformers* deliver fabulous curls, quickly and reliably! ...

More Buying Choices
\$8.00 new (5 offers)

Beauty: See all 121 items



Curlformers Short & Narrow by Hair Flair

\$12.99

(9)

More Buying Choices
\$12.99 new (3 offers)

Product Description

... *Curlformers* deliver fabulous curls, quickly and reliably! ...

Health & Personal Care: See all 121 items

Previous Page

1 2 3 ... 15

Next Page

Search Feedback

Did you find what you were looking for?

If you need help or have a question for Customer Service, please visit the Help Section.

Search powered by

Your Recently Viewed Items and Featured Recommendations

You viewed



> View or edit your browsing history

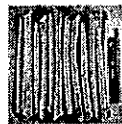
Continue Shopping: Customers Who Bought Items in Your Recent History Also Bought

Page 1 of 9



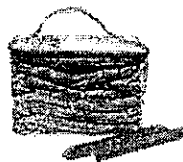
Hair Flair Deluxe Softhood Hair...
★★★★☆ (31)
\$17.95

24 CURL FORMERS



Ships Fast From USA!

CURL FORMERS 24 EXTRA LONG AND...
★★★★☆ (42)
\$14.99 *Prime*



Curlformers Extra Long &...
★★★★☆ (34)
\$69.99



Curlformers Long & Wide
★★★★☆ (7)
\$12.99 *Prime*

Get to Know Us
Careers

Make Money with Us
Sell on Amazon

Amazon Payment Products
Amazon.com Rewards Visa Card

Let Us Help You
Your Account

6/12/2014

Amazon.com: curlformers

- | | | | |
|---------------------------------|-------------------------------|---------------------------|---------------------------------|
| Investor Relations | Become an Affiliate | Amazon.com Store Card | Shipping Rates & Policies |
| Press Releases | Advertise Your Products | Shop with Points | Amazon Prime |
| Amazon and Our Planet | Independently Publish with Us | Credit Card Marketplace | Returns & Replacements |
| Amazon in the Community | › See all | Amazon Currency Converter | Manage Your Content and Devices |
| Fire TV – Amazon's Media Player | | | Help |



[Australia](#) [Brazil](#) [Canada](#) [China](#) [France](#) [Germany](#) [India](#) [Italy](#) [Japan](#) [Mexico](#) [Spain](#) [United Kingdom](#)

- | | | | | | | |
|--|--|---|---|---|--|--|
| 6pm
Score deals on fashion brands | AbeBooks
Rare Books & Textbooks | ACX
Audiobook Publishing Made Easy | AfterSchool.com
Kids' Sports, Outdoor & Dance Gear | Alexa
Actionable Analytics for the Web | AmazonFresh
Groceries & More Right To Your Door | Amazon Local
Great Local Deals in Your City |
| AmazonSupply
Business, Industrial & Scientific Supplies | Amazon Web Services
Scalable Cloud Computing Services | Audible
Download Audio Books | BeautyBar.com
Prestige Beauty Delivered | Book Depository
Books With Free Delivery Worldwide | Bookworm.com
Books For Children Of All Ages | Casa.com
Kitchen, Storage & Everything Home |
| CreateSpace
Indie Print Publishing Made Easy | Diapers.com
Everything But The Baby | DPReview
Digital Photography | East Dane
Designer Men's Fashion | Fabric
Sewing, Quilting & Knitting | IMDb
Movies, TV & Celebrities | Junglee.com
Shop Online in India |
| Kindle Direct Publishing
Indie Digital Publishing Made Easy | Look.com
Kids' Clothing & Shoes | MYHABIT
Private Fashion Designer Sales | Shoppop
Designer Fashion Brands | Soap.com
Health, Beauty & Home Essentials | TenMarks.com
Math Activities for Kids & Schools | Vine.com
Everything to Live Life Green |
| | Wag.com
Everything For Your Pet | Warehouse Deals
Open-Box Discounts | Woot!
Discounts and Shenanigans | Yoyo.com
A Happy Place To Shop For Toys | Zappos
Shoes & Clothing | |

[Conditions of Use](#) [Privacy Notice](#) [Interest-Based Ads](#) © 1996-2014, Amazon.com, Inc. or its affiliates

EXHIBIT E

6/12/2014

Amazon.com: Curlformer Hook Health & Personal Care

Jai's Amazon.com Today's Deals Gift Cards Sell Help

Shop by Department

Search

Hello, Jai Your Account

Your Prime 0 Cart

Wish List

Health & Personal Care Best Sellers New Arrivals Baby & Child Care Vitamins & Diet Supplements Sports Nutrition Household Supplies Health Care

Beauty > Hair Care > Styling Tools > Hair Rollers



DESE



Click to open expanded view

Curlformer Hook

30 customer reviews

\$3.49 Free shipping for Prime members when buying this Add-on Item. Details

3.49
Curlformer Hook LTD and Fulfilled by Amazon. Gift-wrap

Get it **tomorrow, June 13?** Add it to a qualifying order for **32 mins** and choose **One-Day Shipping** at checkout. Details

Add-on item

This item is available because of the Add-on program. The Add-on program allows Amazon to offer thousands of low-priced items that would be cost-prohibitive to ship on their own. These items ship with qualifying orders over \$25. Details

3 new from \$3.49

Share

Add-on item

Ships with any qualifying order over \$25. Details

Qty: 1

Add to Cart

1-Click ordering is not available for this item.

Add to Wish List

Other Sellers on Amazon

\$4.29

Add to Cart

+ \$5.95 shipping

Sold by: Sally Beauty Supply

3 new from \$3.49

Frequently Bought Together



+



Price for both: **\$11.44**

Show availability and shipping details

- This item: Curlformer Hook \$3.49
- Vakind Stretched Length 50CM Hair Curler Curl Formers Spiral Ringlets Magic Leverage Circle Pack of 24 \$7.95

Customers Who Bought This Item Also Bought

Page 1 of 17



Genuine Patented Curlformers - Super Long Styling Hook for super long hair (7)
\$3.99



Curlformers Holdall (2)
\$3.49



Jane Carter Solution Wrap and Roll, 8 Oz. (65)
\$3.50 - \$1,116.87



Vakind Stretched Length 50CM Hair Curler Curl Formers Spiral Ringlets Magic Leverage Circle ... (107)
\$7.95

Important Information

Legal Disclaimer

Actual product packaging and materials may contain more and different information than what is shown on our website. We recommend that you do not rely solely on the information presented and that you always read labels, warnings, and directions before using or consuming a product. Please see our full disclaimer below.

Product Description

The Curlformer Hook is for use with Curlformers to create perfectly defined curls.

6/12/2014

Amazon.com: Curlformer Hook Health & Personal Care

Product Details

Shipping Weight: 1.4 ounces (View shipping rates and policies)

ASIN: B003JN7PHQ

UPC: 870637000045

Average Customer Review: (30 customer reviews)

Amazon Best Sellers Rank: #8,578 in Health & Personal Care (See Top 100 in Health & Personal Care)

#15 in Health & Personal Care > Personal Care > Hair Care > Styling Tools > Hair Rollers

Would you like to [give feedback on images](#) or [tell us about a lower price?](#)

Customers Who Viewed This Item Also Viewed



Genuine Patented
Curlformers - Super Long
Styling Hook for super long
hair (7)
\$3.99



Vakind Stretched Length
50CM Hair Curler Curl
Formers Spiral Ringlets
Magic Leverage Circle ... (107)
\$7.95



Jane Carter Solution Wrap
and Roll, 8 Oz. (85)
\$3.50 - \$1,116.87



Curlformers Holdall (2)
\$3.49



MelodySusie High Quality
Fashion Cute DIY Magic
Rapid Curlformer Super ... (89)
\$10.46

Product Ads from External Websites (What's this?)

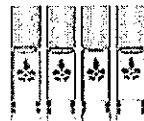
Sponsored Content Page 1 of 5



ReFa Platinum
Electronic Roller ReFa
CARAT
\$290.00
+ Free Shipping
[Dermstore](#)



Mia Tonyrollers 18
Rollers with Case
\$7.99
+ \$5.95 Est. shipping
[Beauty Encounter](#)
accepts [amazonpayments](#)



LAVANILA The Healthy
Fragrance Deluxe Mini
Roller-Ball Set (14)
\$34.00
+ Free Shipping
[Dermstore](#)



Heavy Duty Flexible
Skatewheel Conveyor
- 18"W - 110" to 380"L
\$2,032.18
No Shipping Info
[SIF Material Handling, Inc.](#)

[See a problem with these advertisements? Let us know.](#)

[Advertise here](#)

Customer Questions & Answers

See questions and answers

Customer Reviews

(30)

4.0 out of 5 stars

5 star	17
4 star	6
3 star	0
2 star	3
1 star	4

See all 30 customer reviews

The Curlformer Hook does not
snag your hair, very easy to
use.

Janene Williams

Having natural hair is awesome
and now that there is an
alternative to styling using
Curlformers, I am hooked.

Ms Joan 2010

With respect to this specific
product, I really have no
complaints.

AWR

6/12/2014

Amazon.com: Curlformer Hook Health & Personal Care

Most Helpful Customer Reviews

15 of 15 people found the following review helpful

The Entire Curl Former Idea is Amazing

By AWR on August 24, 2011

Verified Purchase

The Entire Curl Former Idea is Amazing. If you've seen the many video reviews of the product line on youtube, I know you probably agree with me.

I bought this hook along with two packets of short wide curl formers as an alternative to buying the starter kit sold on amazon Curformers Salon Kit for \$69.99. You do not need to spend \$69.99 to try this product out. Just do as I did and buy the components you need separately and save \$30.00. Both the hook and each package of curl formers came with very helpful directions. In addition, as I mentioned before, there are numerous videos on youtube demonstrating how to use these tools.

Advertisement

With respect to this specific product, I really have no complaints. The hook can snap apart at the middle in order for more efficient storing and it's made of a pretty sturdy plastic material. It does exactly what I expected/wanted it to do. And most importantly, my hair looked adorable.

Comment Was this review helpful to you? Yes No

5 of 5 people found the following review helpful

Worked as expected

By Dawn Stillman on January 12, 2013

Verified Purchase

There is a knack to it. Don't force too much hair in and this product works as the description states it should.

1 Comment Was this review helpful to you? Yes No

3 of 3 people found the following review helpful

I hate this thing

By Miss Blaque Sheep on November 1, 2012

Verified Purchase

The hook alone just ruined my whole experience with curl formers and made me stop using them. It would break through the former, getting my hair caught. And its very hard to undo without breaking some strands

Comment Was this review helpful to you? Yes No

6 of 8 people found the following review helpful

Broke on second use

By Gerri L. Elder on March 6, 2012

The first time I used the curformers I was afraid I was going to break the hook and the second time I tried to use them it broke on the first curler. If you have short hair, it might be easier to do this without breaking the hook, but my hair is about 5 inches below my shoulders and using this hook hurt, pulled out some of my hair and ultimately failed. I wouldn't recommend trying this on long hair.

Comment Was this review helpful to you? Yes No

1 of 1 people found the following review helpful

Good sturdy wand

By Vi on January 16, 2014

Verified Purchase

This is a nice and sturdy wand. It is easy on the hair. Works well. I have no complaints and would recommend it to others.

Comment Was this review helpful to you? Yes No

1 of 1 people found the following review helpful

Good buy!

By f.mo on December 24, 2013

Verified Purchase

Very good buy. Totally worth the money! I would so buy this curformer hook again . It works perfectly! Nice

Comment Was this review helpful to you? Yes No

1 of 1 people found the following review helpful

Customer Images

Add an
image

Most Recent Customer Reviews**Don't waste your money.**

It breaks every time I try to use it. The hook you get when you get the Curformers is so much better. Save your money!

Published 23 days ago by Tonya

Great for the price!!

I love how much more sturdy this curl former hook is than the actual hook that came with my rollers. I have absolutely nothing but kudos for this product!!

Published 1 month ago by La Rita Phelps

Always get extra

Be sure to order a few extra of these to go with the curlers. Especially if you have little helpers - they can break pretty easy.

Published 1 month ago by Jessica L J Altman

Great Purchase

It is hard to find some of the Curformer products so this was a great way to get the product. It arrived on time and the quality is fine.

Published 2 months ago by Buyer Z

Broke the first day

Difficult to pull apart once its connected. Broke the first day. Going to tape it up an try to use it anyway.

Published 3 months ago by Kerry-Ann Guthrie

No snags

The Curformer Hook does not snag your hair, very easy to use. I would recommend over the hook that comes with the vakind set :)

Published 3 months ago by Janene Williams

Great Spare

I had a Hook already but I heard Great reviews about this one as a spare and it won't break. LOVE IT!!

6/12/2014

Amazon.com: Curlformer Hook Health & Personal Care

Great bargain for the price

By Stephanie on September 15, 2013

Verified Purchase

Great Bargain for the price. Bought it to use with the off brand curlformers and it was worth the extra few bucks.

Comment Was this review helpful to you?

1 of 1 people found the following review helpful
based on the tool, not use

By unhappyyelle on October 26, 2012

I was kind of disappointed when I got this hook simply because I ordered one a few months ago and it was much thicker and sturdier and the one they sent me this time is skinny and looks fragile. I have thick hair and it looks like it'll easily break or be a struggle for me to use. Like I said I havent used it yet, so I will update my review when I use, however I'm disappointed its not the same one

1 Comment Was this review helpful to you?

See all 30 customer reviews (newest first)

[Write a customer review](#)

Published 3 months ago by Jeanica T

Bring on the curls..

Can't use the culer without the Hook, right? I like the quality of this hook. When I bought my curlers I ordered them from overseas. They came with a hook... [Read more](#)

Published 3 months ago by Lara Densmore

Not quite what I was looking for

Ok so I got these because I wanted to have loose curls for my wedding. Although it works well, I don't like the fact that because you have to pull it off, the curls are not as... [Read more](#)

Published 6 months ago by Tempest

Great

I bought this for my niece and she loves it. She has been doing everyone's hair to rave reviews. Thank you

Published 8 months ago by Raheema Franklin

Search Customer Reviews

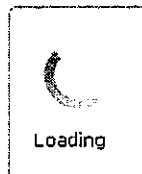
Search these reviews only

Feedback

- ▶ If you have a question or problem, visit our [Help pages](#).
- ▶ Would you like to [give feedback on images](#) or [tell us about a lower price?](#)
- ▶ If you are a seller for this product and want to change product data, [click here](#) (you may have to sign in with your seller id).

Disclaimer: While we work to ensure that product information is correct, on occasion manufacturers may alter their ingredient lists. Actual product packaging and materials may contain more and/or different information than that shown on our Web site. We recommend that you do not solely rely on the information presented and that you always read labels, warnings, and directions before using or consuming a product. For additional information about a product, please contact the manufacturer. Content on this site is for reference purposes and is not intended to substitute for advice given by a physician, pharmacist, or other licensed health-care professional. You should not use this information as self-diagnosis or for treating a health problem or disease. Contact your health-care provider immediately if you suspect that you have a medical problem. Information and statements regarding dietary supplements have not been evaluated by the Food and Drug Administration and are not intended to diagnose, treat, cure, or prevent any disease or health condition. Amazon.com assumes no liability for inaccuracies or misstatements about products.

Your Recently Viewed Items and Featured Recommendations



[Get to Know Us](#)
[Careers](#)

[Make Money with Us](#)
[Sell on Amazon](#)

[Amazon Payment Products](#)
[Amazon.com Rewards Visa Card](#)

[Let Us Help You](#)
[Your Account](#)

6/12/2014

Amazon.com: Curlformer Hook Health & Personal Care

- | | | | |
|---|---|---|---|
| Investor Relations | Become an Affiliate | Amazon.com Store Card | Shipping Rates & Policies |
| Press Releases | Advertise Your Products | Shop with Points | Amazon Prime |
| Amazon and Our Planet | Independently Publish with Us | Credit Card Marketplace | Returns & Replacements |
| Amazon in the Community | › See all | Amazon Currency Converter | Manage Your Content and Devices |
| Fire TV – Amazon’s Media Player | | | Help |



[Australia](#) [Brazil](#) [Canada](#) [China](#) [France](#) [Germany](#) [India](#) [Italy](#) [Japan](#) [Mexico](#) [Spain](#) [United Kingdom](#)

6pm Score deals on fashion brands	AbeBooks Rare Books & Textbooks	ACX Audiobook Publishing Made Easy	AfterSchool.com Kids’ Sports, Outdoor & Dance Gear	Alexa Actionable Analytics for the Web	AmazonFresh Groceries & More Right To Your Door	Amazon Local Great Local Deals In Your City
AmazonSupply Business, Industrial & Scientific Supplies	Amazon Web Services Scalable Cloud Computing Services	Audible Download Audio Books	BeautyBar.com Prestige Beauty Delivered	Book Depository Books With Free Delivery Worldwide	Bookworm.com Books For Children Of All Ages	Casa.com Kitchen, Storage & Everything Home
CreateSpace Indie Print Publishing Made Easy	Diapers.com Everything But The Baby	DPReview Digital Photography	East Dane Designer Men’s Fashion	Fabric Sewing, Quilting & Knitting	IMDb Movies, TV & Celebrities	Junglee.com Shop Online in India
Kindle Direct Publishing Indie Digital Publishing Made Easy	Look.com Kids’ Clothing & Shoes	MYHABIT Private Fashion Designer Sales	Shopbop Designer Fashion Brands	Soap.com Health, Beauty & Home Essentials	TenMarks.com Math Activities for Kids & Schools	Vine.com Everything to Live Life Green
	Wag.com Everything For Your Pet	Warehouse Deals Open-Box Discounts	Woot! Discounts and Shenanigans	Yoyo.com A Happy Place To Shop For Toys	Zappos Shoes & Clothing	

[Conditions of Use](#) [Privacy Notice](#) [Interest-Based Ads](#) © 1996-2014, Amazon.com, Inc. or its affiliates