

FILED

1
2
3
4
5
6
7
8
9
10
11
12
13
14
15
16
17
18
19
20
21
22
23
24
25
26
27
28

S. ART HASAN, CA Bar No. 167323
art.hasan@cph.com
G. WARREN BLEEKER, CA Bar No. 210834
warren.bleeker@cph.com
KATHERINE L. QUIGLEY, CA Bar No. 258212
katherine.quigley@cph.com
CHRISTIE, PARKER & HALE, LLP
655 North Central Avenue, Suite 2300
Glendale, California 91203-1445
Telephone: (626) 795-9900
Facsimile: (626) 577-8800

2012 DEC 14 PM 1:55

CLERK, U.S. DISTRICT COURT
CENTRAL DISTRICT OF CALIF.
LOS ANGELES

Attorneys for Plaintiff,
NYKO Technologies, Inc.

UNITED STATES DISTRICT COURT
CENTRAL DISTRICT OF CALIFORNIA

NYKO TECHNOLOGIES, INC., a
California corporation,

Plaintiff,

v.

ENERGIZER HOLDINGS, INC., a
Missouri corporation, EVEREADY
BATTERY COMPANY, INC., a
Delaware corporation, and
PERFORMANCE DESIGNED
PRODUCTS LLC, a California limited
liability company,

Defendants.

Case No. CV12-03001-GAF (VBKx)

**AMENDED COMPLAINT FOR
PATENT INFRINGEMENT**

DEMAND FOR JURY TRIAL

1 For its complaint against Defendants Energizer Holdings, Inc.
2 (“Energizer”), Eveready Battery Company, Inc. (“EBC”) and Performance
3 Designed Products LLC (“PDP”) (collectively “Defendants”), Plaintiff NYKO
4 Technologies, Inc. (“NYKO”) alleges as follows:

5
6 **JURISDICTION**

- 7 1. This is an action for patent infringement pursuant to 35 U.S.C.
8 Section 271. This Court has jurisdiction pursuant to 28 U.S.C. Section 1338(a).
9 2. Venue is proper under 28 U.S.C. Section 1391(b)(2).

10 **PARTIES**

11 3. Plaintiff NYKO is a corporation existing under the laws of the State
12 of California, having a principal place of business at 1990 Westwood Boulevard,
13 Penthouse Suite, Los Angeles, California 90025.

14 4. Plaintiff is informed and believes, and thereon alleges that Defendant
15 Energizer is a Missouri corporation, having a principal place of business at 533
16 Maryville University Drive, St. Louis, Missouri 63141.

17 5. Plaintiff is informed and believes, and thereon alleges that Defendant
18 EBC is a Delaware corporation, having a principal place of business at 533
19 Maryville University Drive, St. Louis, Missouri 63141.

20 6. Plaintiff is informed and believes, and thereon alleges that Defendant
21 PDP is a California limited liability company, having a principal place of business
22 at 14144 Ventura Boulevard, Suite 200, Sherman Oaks, California 91423.

23 **FACTUAL BACKGROUND**

24 7. Since it was founded in 1996, NYKO has designed, manufactured
25 and marketed innovative products to enhance the digital lifestyle. NYKO’s stated
26 mission is to deliver products that solve problems and improve user experiences.
27 NYKO specializes in interactive entertainment, computing, consumer electronics,
28 portable audio, as well as online and wireless technologies. NYKO directly

1 distributes through major U.S. and Canadian retailers, and distributes through
2 intermediaries worldwide. NYKO is the owner of multiple patents in the U.S.
3 and abroad directed to its innovative products.

4 8. NYKO is the owner of U.S. Patent 8,143,848 (“the ‘848 Patent”),
5 entitled “Video Game Controller Charging System Having a Docking Structure,”
6 which issued on March 27, 2012. A true and correct copy of the ‘848 Patent is
7 attached hereto as Exhibit A.

8 9. Following NYKO’s introduction into the marketplace of its video
9 game controller having a docking structure, a number of companies including
10 Energizer, EBC, PDP and others copied the concepts embodied in NYKO’s
11 product and introduced products of their own to compete with NYKO.
12 Companies such as Energizer, EBC and PDP that engaged in this behavior
13 profited greatly by not having to engage in the substantial research and
14 development NYKO engaged in to conceive, design and develop its products.

15 10. More particularly, upon information and belief, Energizer, EBC and
16 PDP have made, used, sold, imported and/or offered for sale in this District and
17 elsewhere, and have continued to do so in this District and elsewhere, without the
18 consent or authorization of NYKO, one or more video game controller charging
19 systems having a docking structure, including without limitation the Energizer®
20 Power & Play for 360 Charging System and the Energizer® Power & Play for
21 PS3 Charging System (collectively “the Infringing Products”), each of which is
22 covered by one or more claims of the ‘848 Patent.

23 **FIRST CLAIM FOR RELIEF**

24 **Patent Infringement**

25 11. NYKO hereby repeats and realleges paragraphs 1 through 10
26 hereinabove as though fully set forth herein.

27 12. Energizer, EBC and PDP, by themselves and in concert with each
28 other or others, have made, used, sold, offered to sell, and/or imported, and

1 continue to make, use, sell, offer to sell, and/or import in this District and
2 elsewhere in the United States, the Infringing Products which directly infringe the
3 ‘848 Patent.

4 13. Energizer, EBC and PDP, who purport to be in a “partnership,” by
5 themselves and in concert with each other or others continue to knowingly induce
6 infringement by others through extensive sales, advertising and promotional
7 efforts of the accused products on their websites and elsewhere. Defendants have
8 knowledge of the ‘848 Patent.

9 14. Defendants promote, advertise and sell the Infringing Products with
10 the specific intent that their customers and/or end users will use the Infringing
11 Products. For example:

12 (a) Defendants promote the Infringing Products as a “conductive charger
13 with an AC Power Adapter featuring an LED indicator for charge status.”

14 (b) Defendants tout that the infringing “system includes two
15 Energizer rechargeable battery packs.”

16 (c) Defendants claim that the infringing “power accessories will help
17 gamers have a longer, more enjoyable gaming experience – a key benefit of
18 Energizer products.”

19 (d) Defendants claim that the Infringing Products “offer a power source
20 that is convenient and always available.”

21 (e) Defendants promise users, for example, that in “just 2.5 hours, the
22 Energizer Power & Play Charging System for PS3 charges up to 2 controllers”
23 that the infringing “station let’s [sic] you know when it’s charging” and instructs
24 users to “[k]eep those controllers charged.”

25 (f) Defendants provide directions on how to use the accused products to
26 charge wireless videogame controllers.

27
28

1 (g) Defendants provide customer support assistance on their respective
2 websites to assist the end users of the accused products with using the accused
3 product.

4 15. Defendants therefore specifically intend that their customers and/or
5 end users infringe one or more claims of the '848 Patent.

6 16. The aforesaid acts of Energizer, EBC and PDP are without right,
7 license, or authorization from NYKO.

8 17. By its aforesaid acts, Energizer, EBC and PDP have infringed the
9 '848 Patent, entitling NYKO to relief pursuant to 35 U.S.C. Section 271.

10 18. Energizer, EBC and PDP have had actual or constructive notice of
11 the existence of the '848 Patent, and despite such notice have continued to engage
12 in acts of infringement.

13 19. Because of Energizer's acts, EBC's acts and PDP's acts complained
14 of herein, NYKO has been actually damaged and irreparably harmed, and
15 Energizer, EBC and PDP have been unjustly enriched, to an extent not presently
16 ascertained, which damage, harm and enrichment will continue until enjoined by
17 order of this Court.

18 20. Energizer's infringement, EBC's infringement and PDP's
19 infringement of the '848 Patent are willful and NYKO is entitled to enhanced
20 damages against Energizer, EBC and PDP, and each of them.

21 21. This is an exceptional case and NYKO is entitled to an award of its
22 attorneys' fees.

23 **PRAYER**

24 **WHEREFORE**, Plaintiff NYKO asks for judgment against Defendants
25 Energizer, EBC and PDP as follows:

26 1. Adjudging and decreeing that Energizer, EBC and PDP, and each of
27 them, have committed acts of patent infringement by their manufacture, use, sale,
28 offer for sale and/or import of the Infringing Products;

1 2. For temporary and permanent injunctions prohibiting Energizer,
2 EBC and PDP, and each of their respective officers, agents, servants, employees
3 and attorneys, and other persons in active concert or participation with them, from
4 further infringing the '848 Patent, and requiring Energizer, EBC and PDP, and
5 each of them, to deliver up to NYKO for destruction any and all Infringing
6 Products in their respective possession, custody or control, along with any items
7 of manufacture, the sole purpose of which is to manufacture such Infringing
8 Products, as well as any promotional literature and packaging that display or
9 promote such Infringing Products.

10 3. For patent infringement damages in an amount not less than a
11 reasonable royalty, and for those damages to be trebled, pursuant to 35 U.S.C.
12 Section 284;

13 4. For prejudgment interest;

14 5. For all of NYKO's costs of this Action, including attorneys' fees;
15 and

16 6. For such other or further relief as the Court may deem just and
17 proper.

18
19 DATED: December 10, 2012

Respectfully submitted,

20 CHRISTIE, PARKER & HALE, LLP
21

22 By /s/ G. Warren Bleeker

23 G. Warren Bleeker

24 Attorneys for Plaintiff,
25 NYKO Technologies, Inc.
26
27
28

1
2
3
4
5
6
7
8
9
10
11
12
13
14
15
16
17
18
19
20
21
22
23
24
25
26
27
28

DEMAND FOR JURY TRIAL

Plaintiff NYKO Technologies, Inc., pursuant to Federal Rule of Civil Procedure 38, hereby demands a trial by jury of all issues so triable.

DATED: December 10, 2012

Respectfully submitted,

CHRISTIE, PARKER & HALE, LLP

By /s/ G. Warren Bleeker

G. Warren Bleeker

Attorneys for Plaintiff,
NYKO Technologies, Inc.

GWB PAS1200854.4-*-12/10/12 4:28 PM

EXHIBIT A



US008143848B2

(12) **United States Patent**
Navid

(10) **Patent No.:** US 8,143,848 B2
(45) **Date of Patent:** Mar. 27, 2012

(54) **VIDEO GAME CONTROLLER CHARGING SYSTEM HAVING A DOCKING STRUCTURE**

(75) Inventor: Amir Navid, Sherman Oaks, CA (US)

(73) Assignee: Nyko Technologies, Inc., Los Angeles, CA (US)

(*) Notice: Subject to any disclaimer, the term of this patent is extended or adjusted under 35 U.S.C. 154(b) by 799 days.

6,313,604 B1 *	11/2001	Chen	320/114
6,321,340 B1	11/2001	Shin et al.	
6,362,987 B1	3/2002	Yurek et al.	
6,614,206 B1	9/2003	Wong et al.	
6,632,098 B1	10/2003	Wong et al.	
6,669,513 B2	12/2003	Huang	
6,790,062 B1	9/2004	Liao	
6,811,444 B2	11/2004	Geyer	
6,842,356 B2 *	1/2005	Hsu	363/146
6,991,483 B1	1/2006	Milan et al.	
6,992,462 B1	1/2006	Hussaini et al.	
7,054,177 B2	5/2006	Wu	

(Continued)

(21) Appl. No.: 12/044,295

(22) Filed: Mar. 7, 2008

(65) **Prior Publication Data**

US 2008/0150480 A1 Jun. 26, 2008

Related U.S. Application Data

(63) Continuation-in-part of application No. 11/581,137, filed on Oct. 13, 2006, now abandoned.

(60) Provisional application No. 60/982,364, filed on Oct. 24, 2007.

(51) **Int. Cl.**
H02J 7/00 (2006.01)

(52) **U.S. Cl.** 320/113; 320/115

(58) **Field of Classification Search** 320/113
See application file for complete search history.

(56) **References Cited**

U.S. PATENT DOCUMENTS

5,547,399 A	8/1996	Naghi et al.	
5,594,314 A *	1/1997	Hagiuda et al.	320/110
5,734,254 A *	3/1998	Stephens	320/106
5,828,966 A	10/1998	Davis et al.	
5,847,545 A	12/1998	Chen et al.	
6,061,261 A	5/2000	Chen et al.	

OTHER PUBLICATIONS

International Search Report, Transmittal and Written Opinion dated Dec. 29, 2008, Application No. PCT/US 08/81004, Nyko Technologies, Inc.

(Continued)

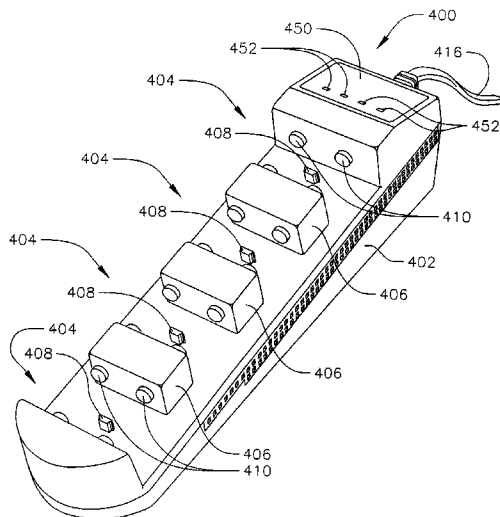
Primary Examiner — Arun Williams

(74) *Attorney, Agent, or Firm* — Christie, Parker & Hale, LLP

(57) **ABSTRACT**

A video game controller charging system is provided. The video game controller charging system includes a base; at least one structure on the base for providing physical support to at least one video game controller while it is being charged; and at least one DC port on the base configured to couple to and provide DC power to a power input port of the at least one video game controller. The video game controller charging system may also include a current detector, a charging status indicator, at least one docking bay, and/or an AC-to-DC converter adapted to convert externally supplied power to the DC power provided to the power input port of at least one video game controller. The base of a charging station may include a recess having at least one electrical contact and a power input for connection to a power supply.

27 Claims, 23 Drawing Sheets



US 8,143,848 B2

Page 2

U.S. PATENT DOCUMENTS

7,140,922 B2 11/2006 Luu et al.
 2002/0115480 A1 8/2002 Huang
 2003/0216069 A1* 11/2003 Huang 439/105
 2004/0189250 A1* 9/2004 Nishida 320/116
 2004/0218411 A1 11/2004 Luu et al.
 2004/0259436 A1 12/2004 Su
 2005/0189914 A1 9/2005 Esses
 2006/0080476 A1 4/2006 Wang et al.
 2006/0202660 A1* 9/2006 Chang 320/115
 2007/0021209 A1 1/2007 Hussaini et al.
 2007/0091656 A1 4/2007 Navid et al.
 2007/0216352 A1 9/2007 Shaddle

2007/0278999 A1* 12/2007 Hsia 320/111
 2008/0180060 A1* 7/2008 Odell et al. 320/115
 2009/0072784 A1* 3/2009 Erickson 320/108

OTHER PUBLICATIONS

International Search Report, International Application No. PCT/US 06/40118, Dated Nov. 28, 2007.

European Search Report for European Application No. 08843118.4 in the name of Nyko Technologies, Inc. European Search Report dated Oct. 22, 2010 and mailed Oct. 29, 2010 (6 pgs).

* cited by examiner

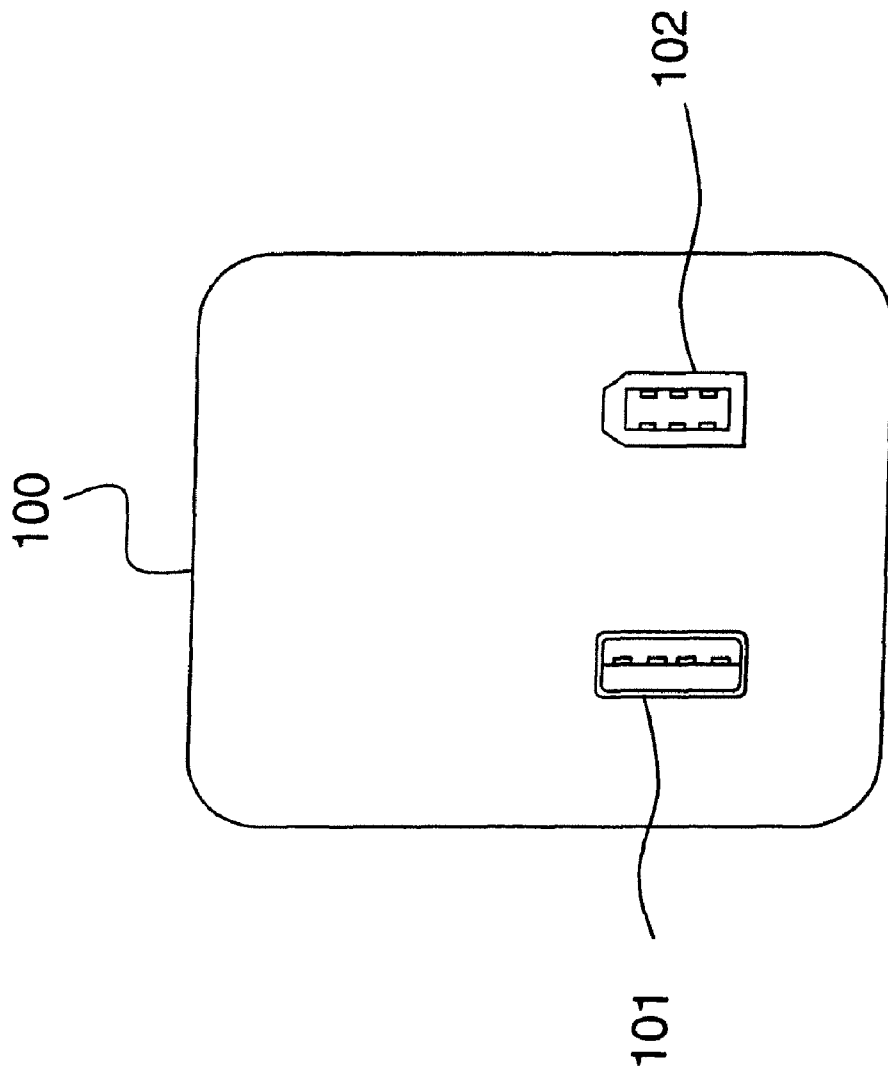


FIG. 1

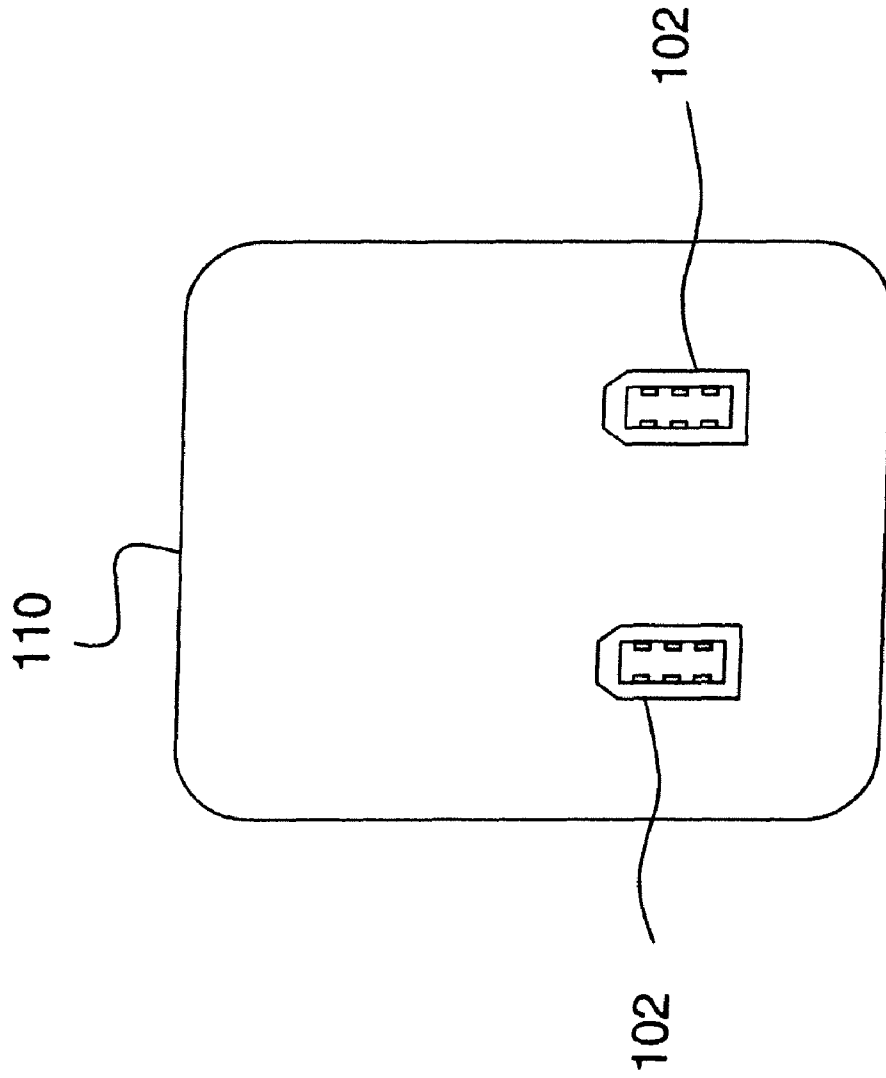


FIG. 2

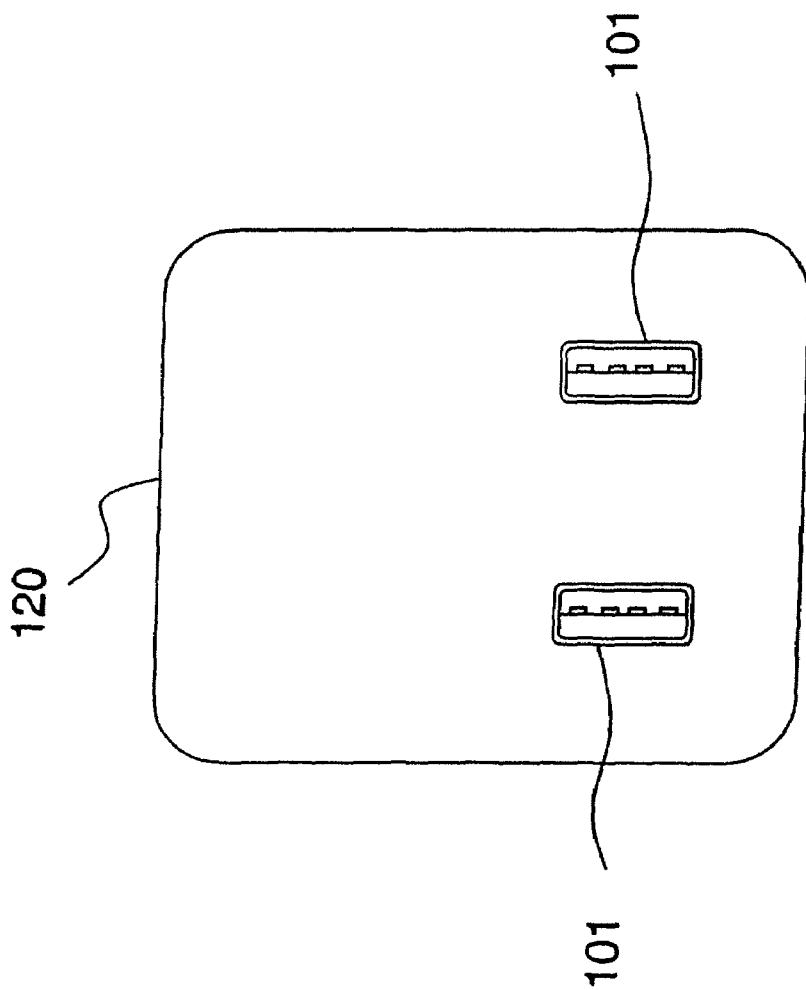


FIG. 3

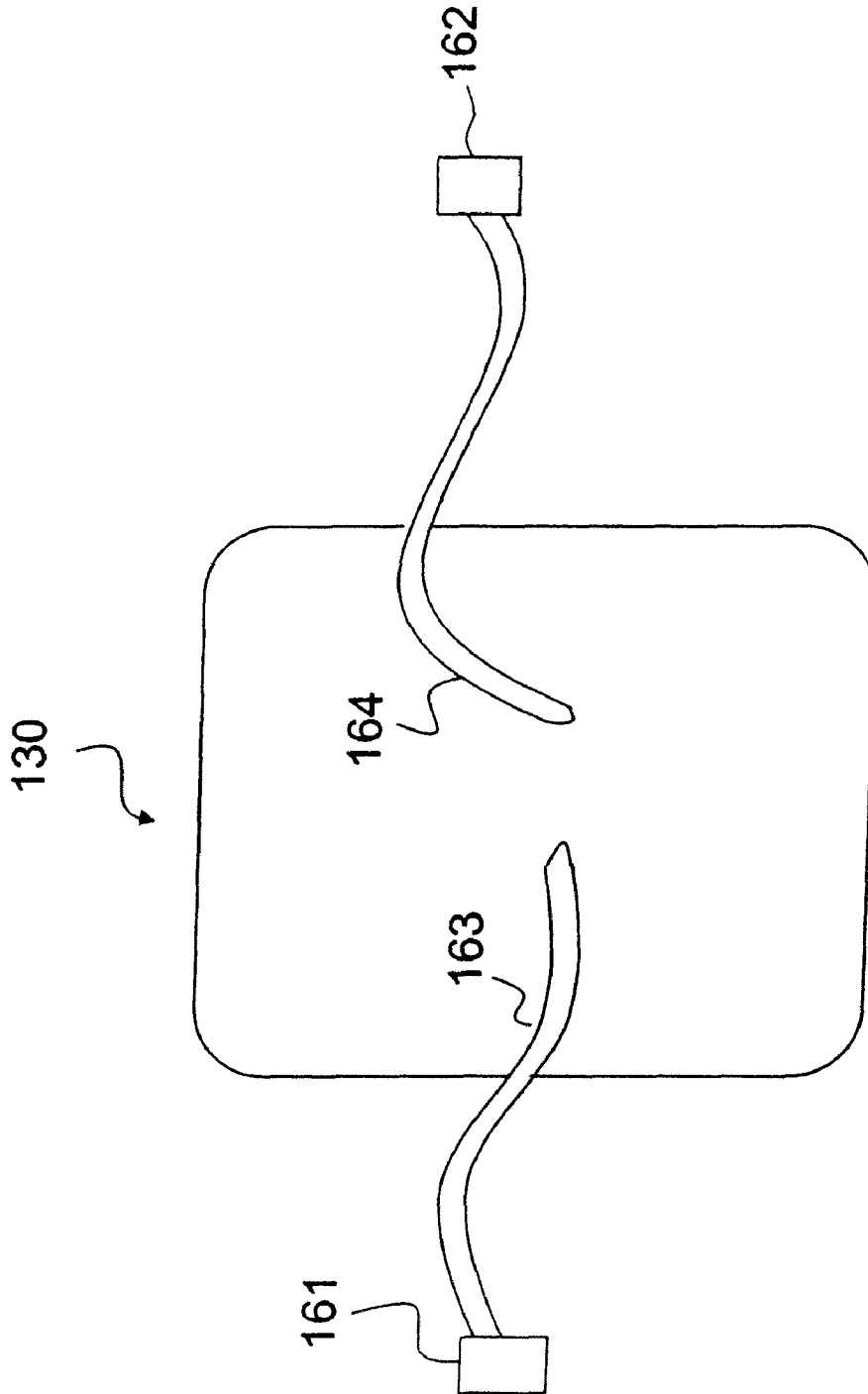


FIG. 4

U.S. Patent

Mar. 27, 2012

Sheet 5 of 23

US 8,143,848 B2

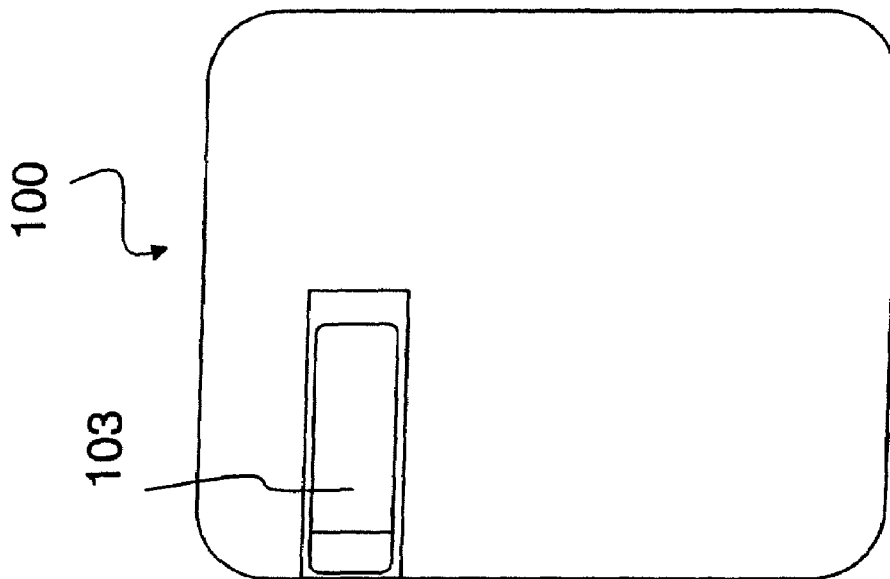


FIG. 5

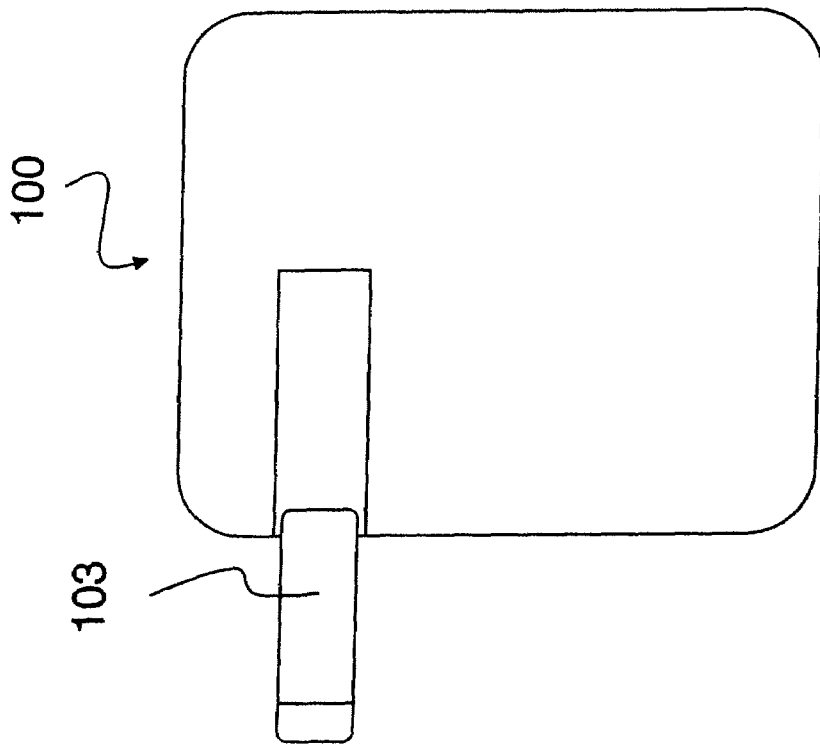


FIG. 6

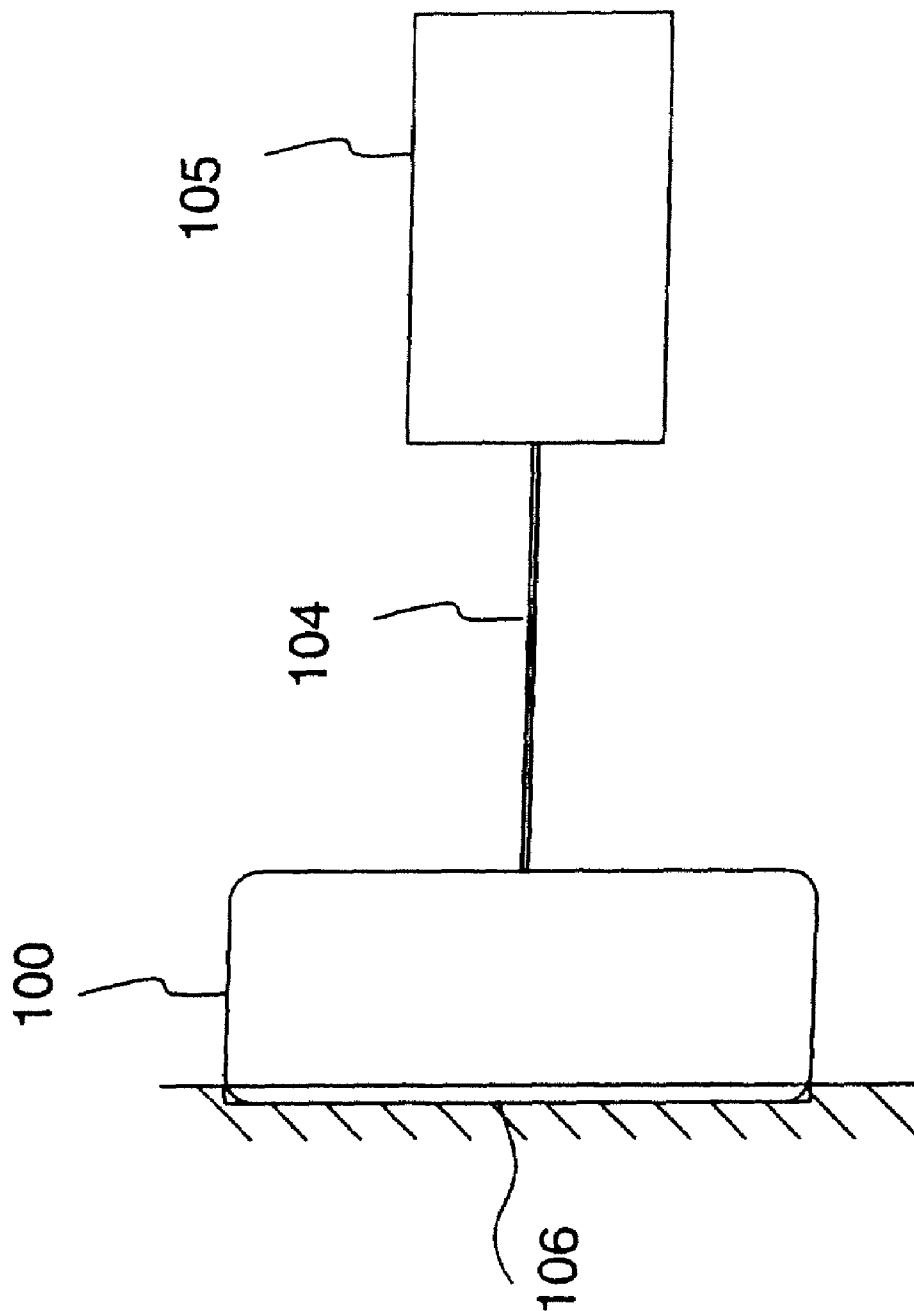


FIG. 7

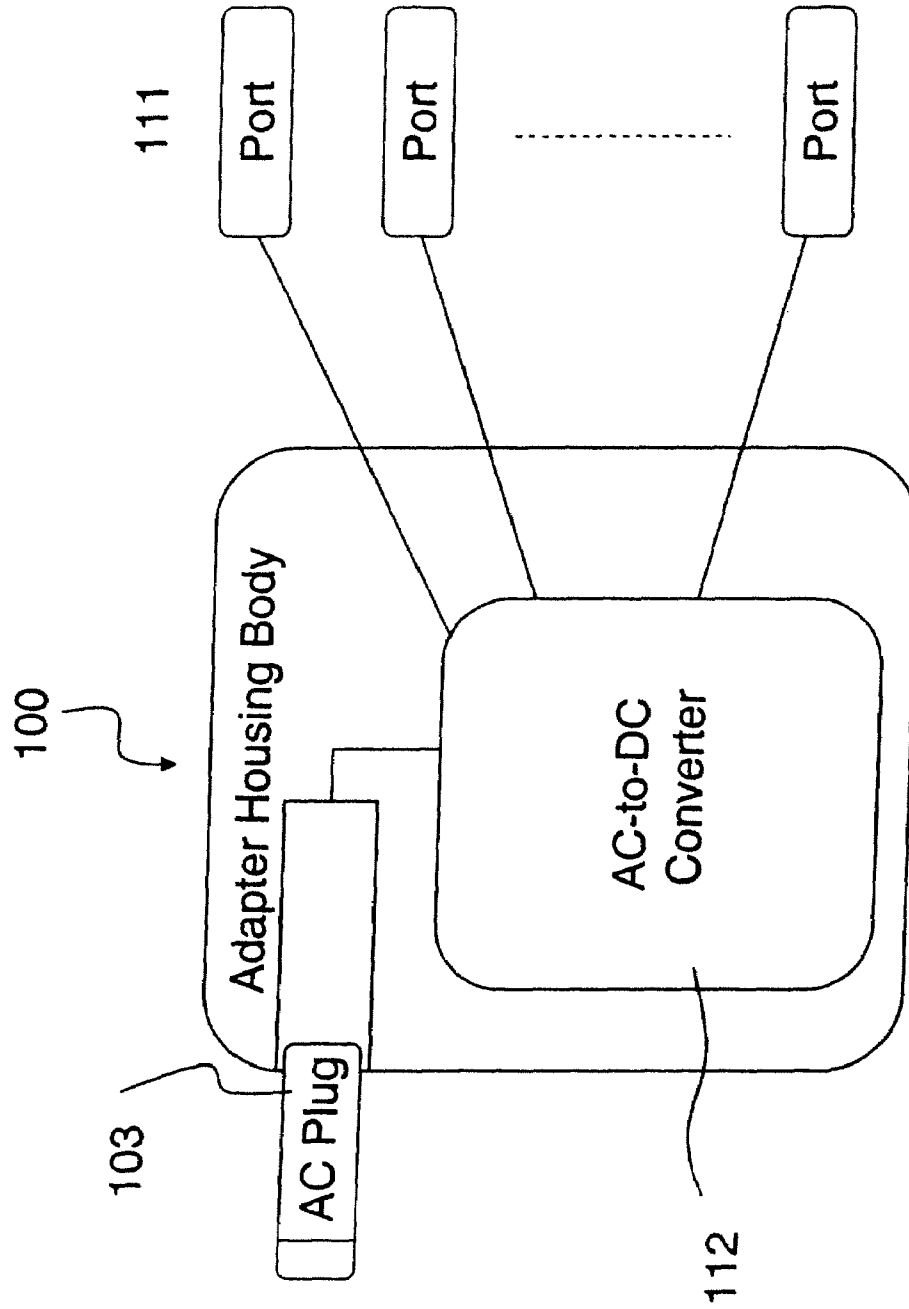


FIG. 8

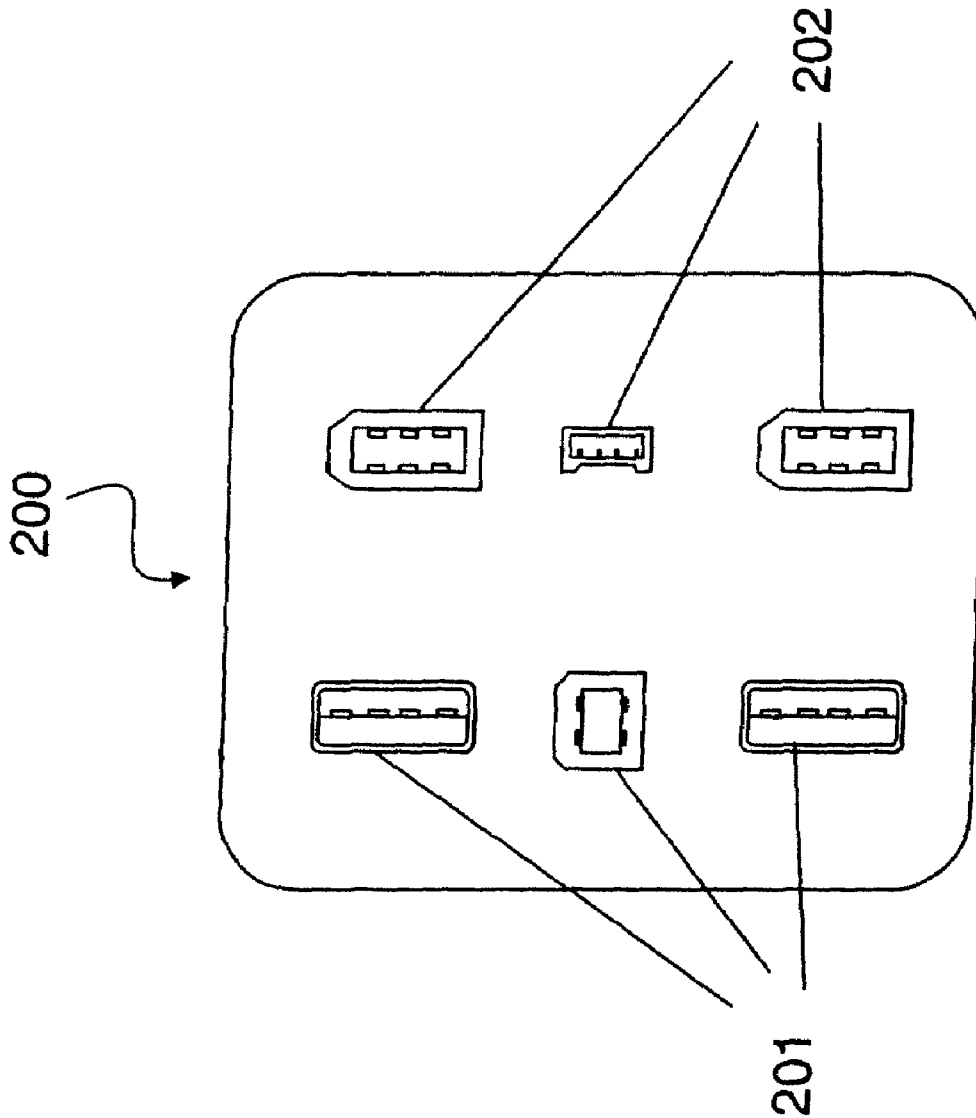


FIG. 9

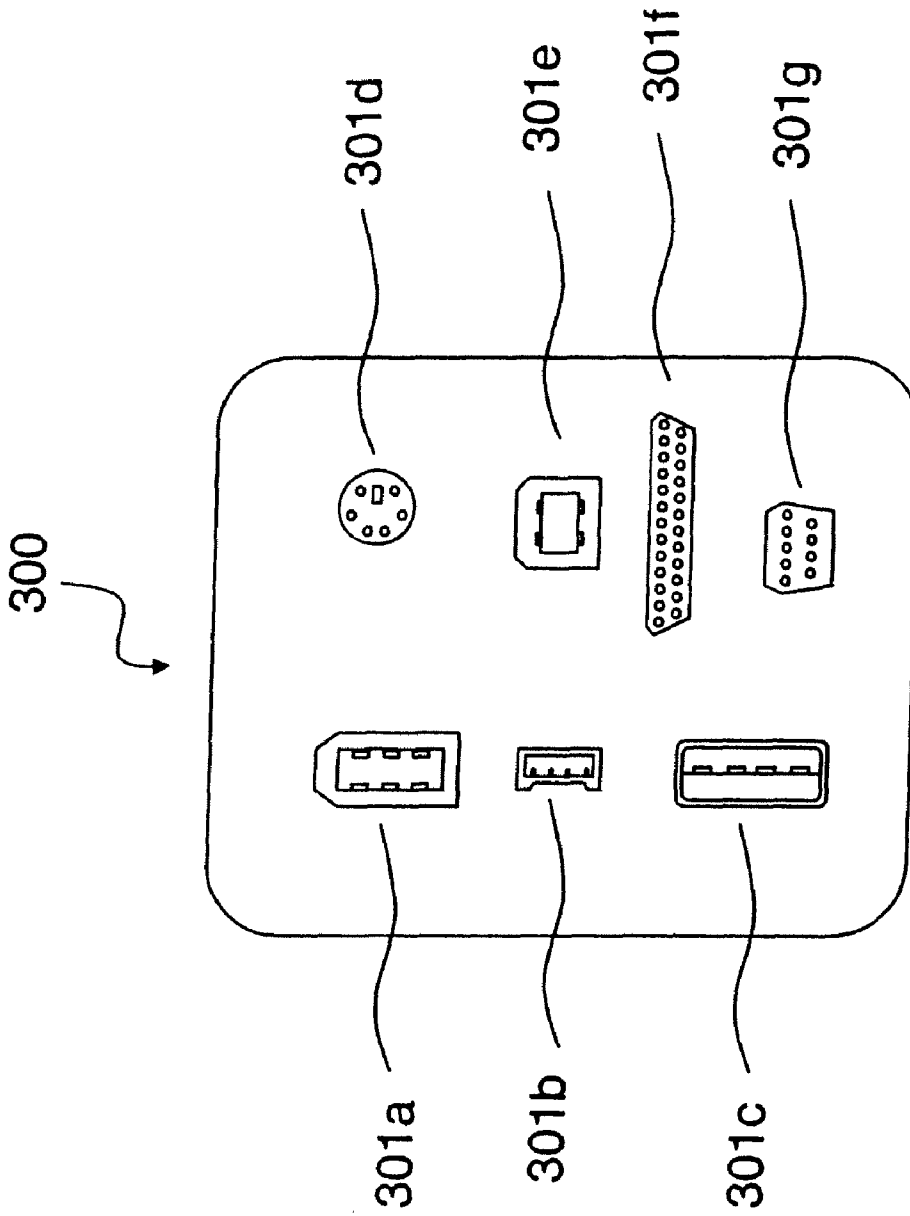


FIG. 10

FIG. 11

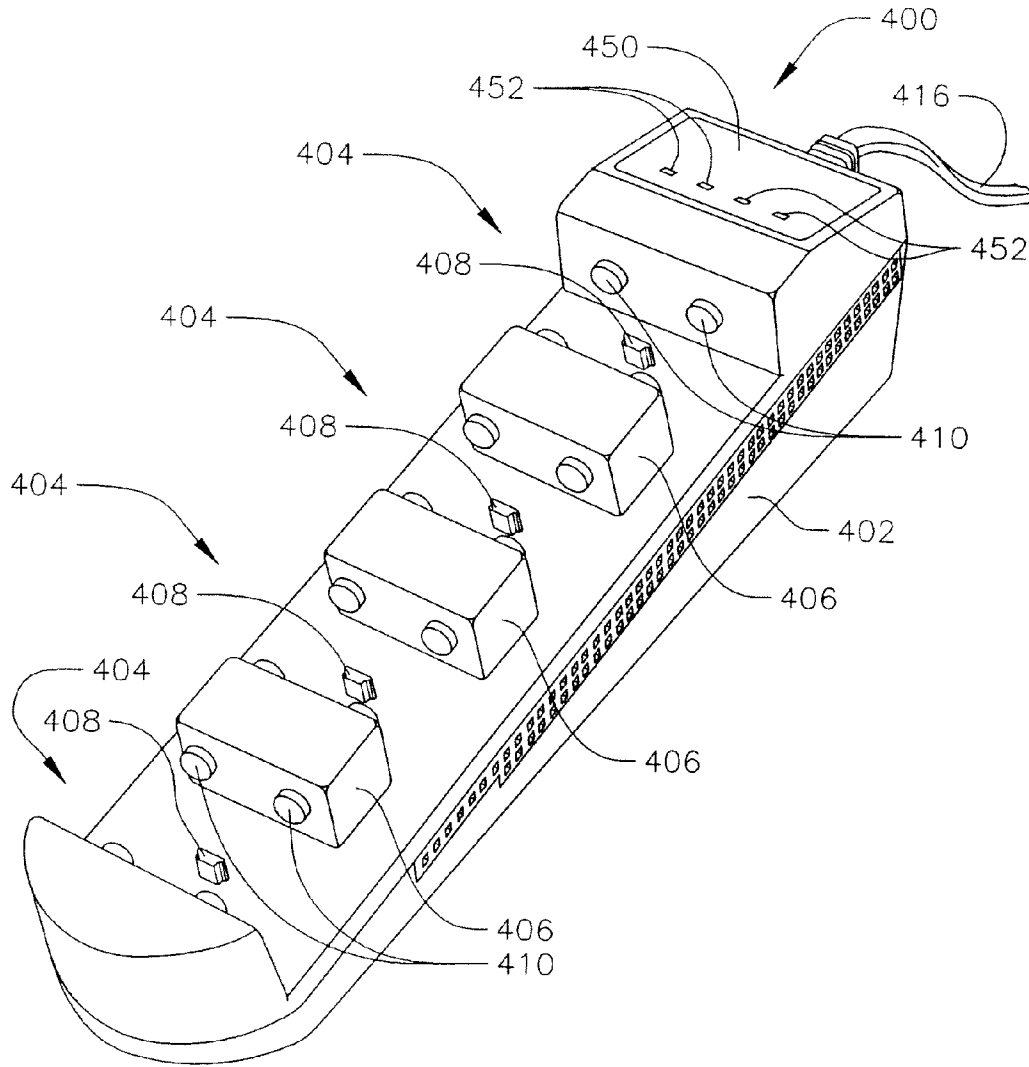


FIG. 12

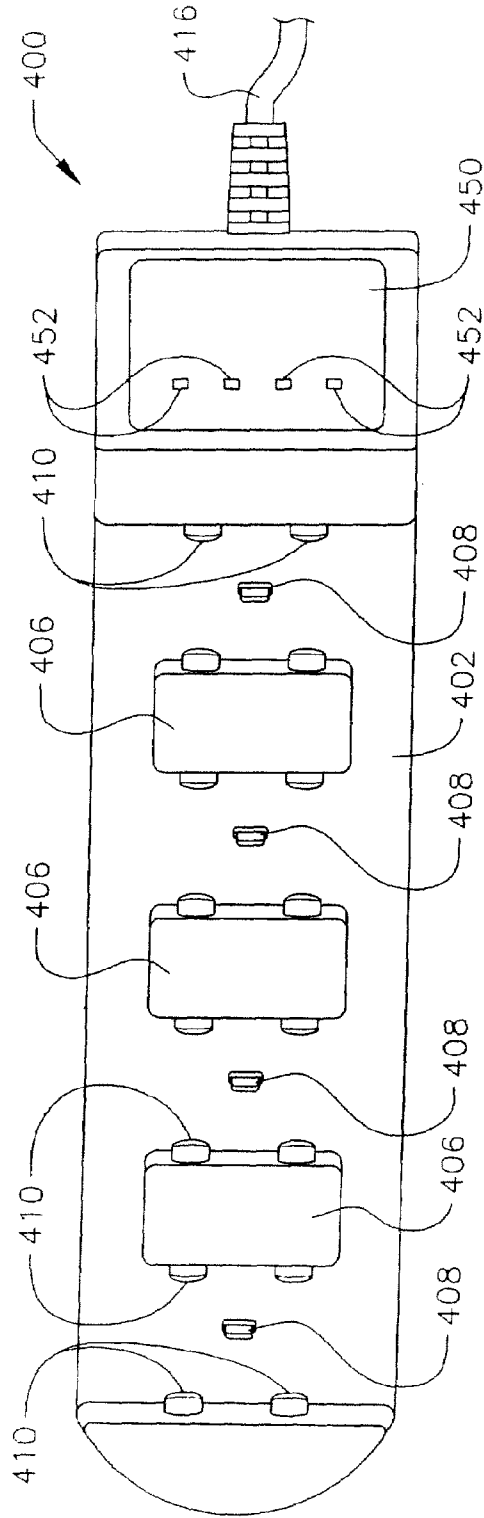


FIG. 13

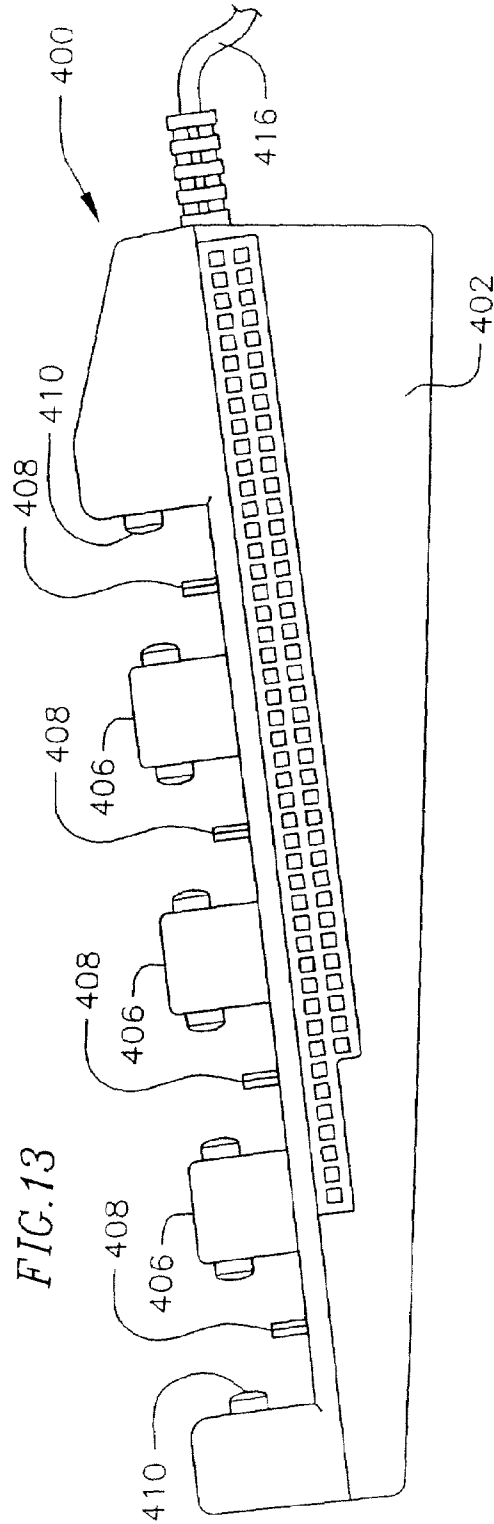
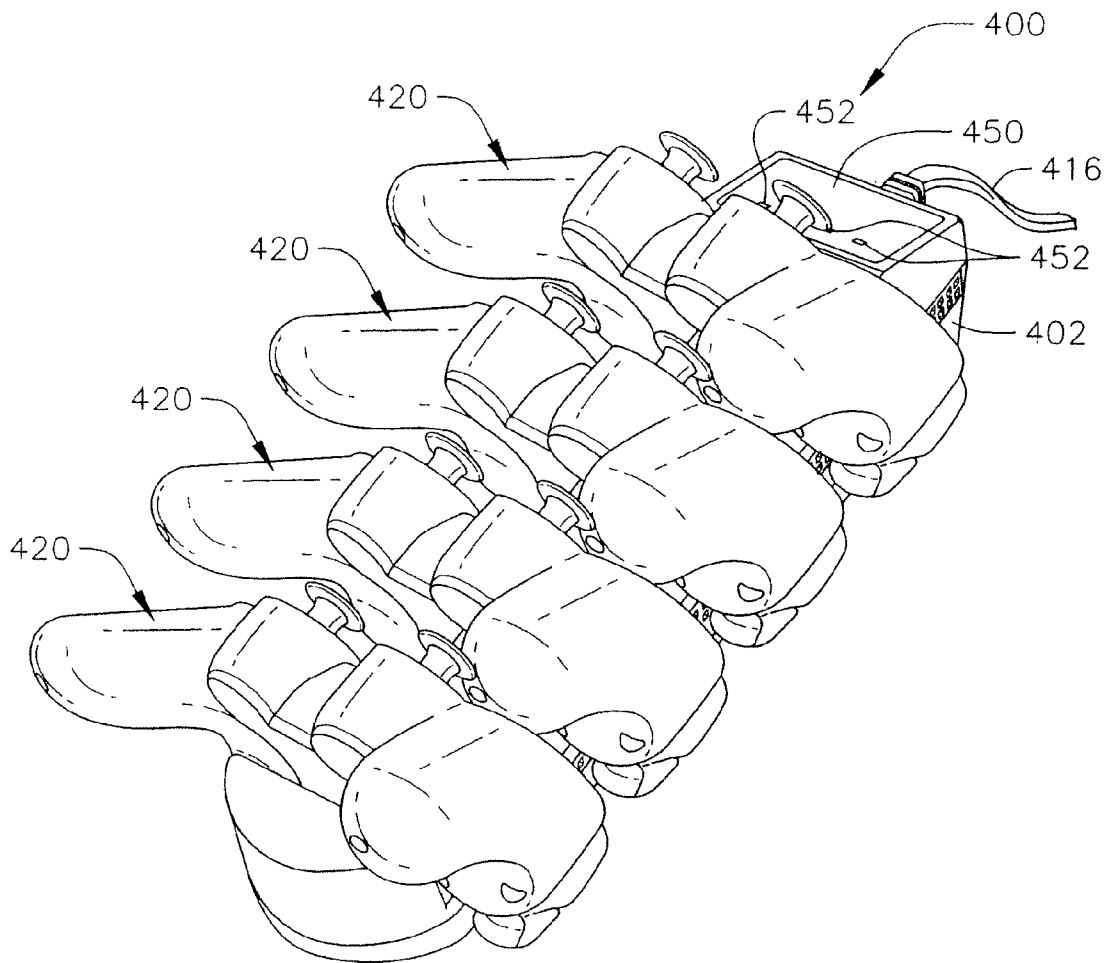


FIG. 14



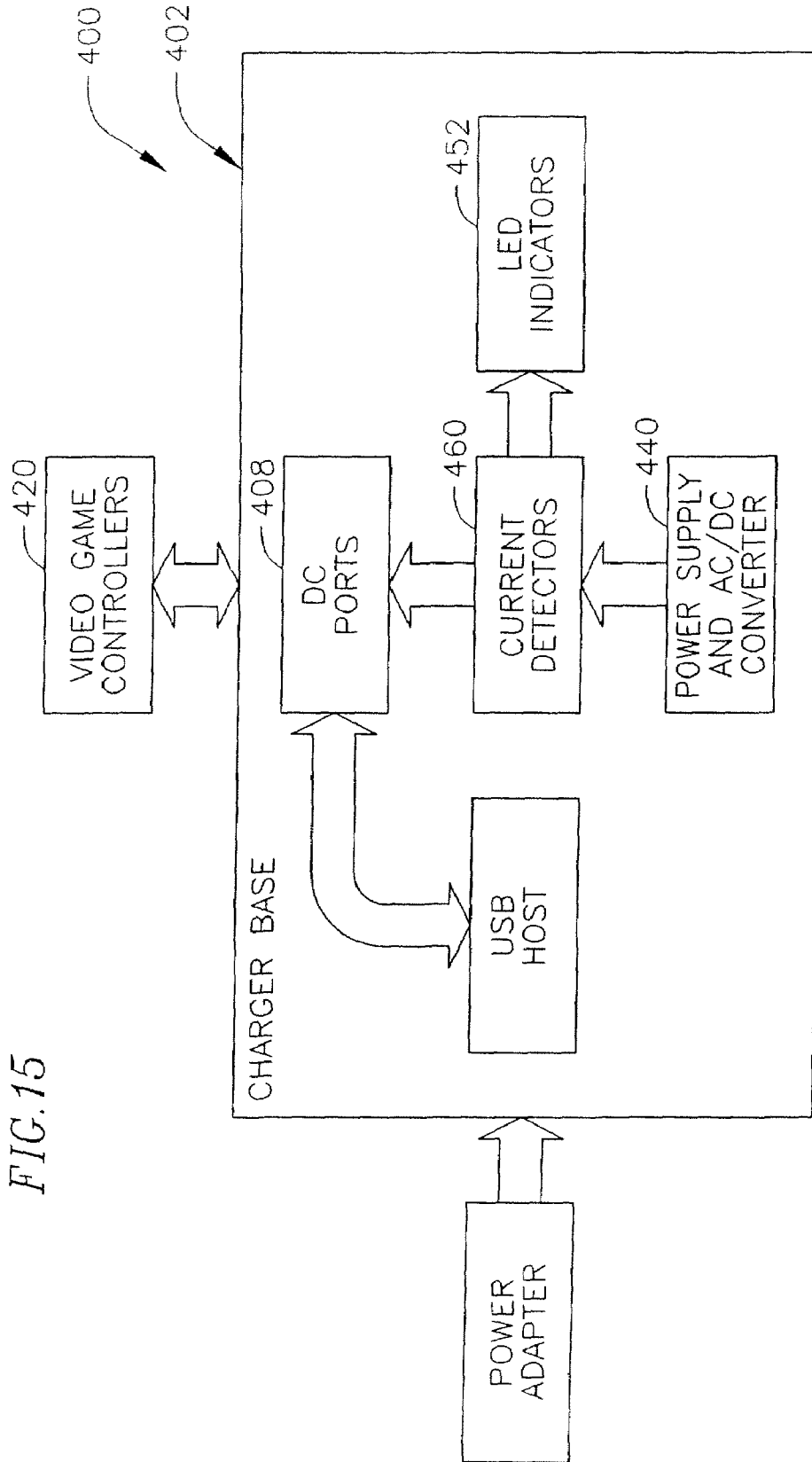
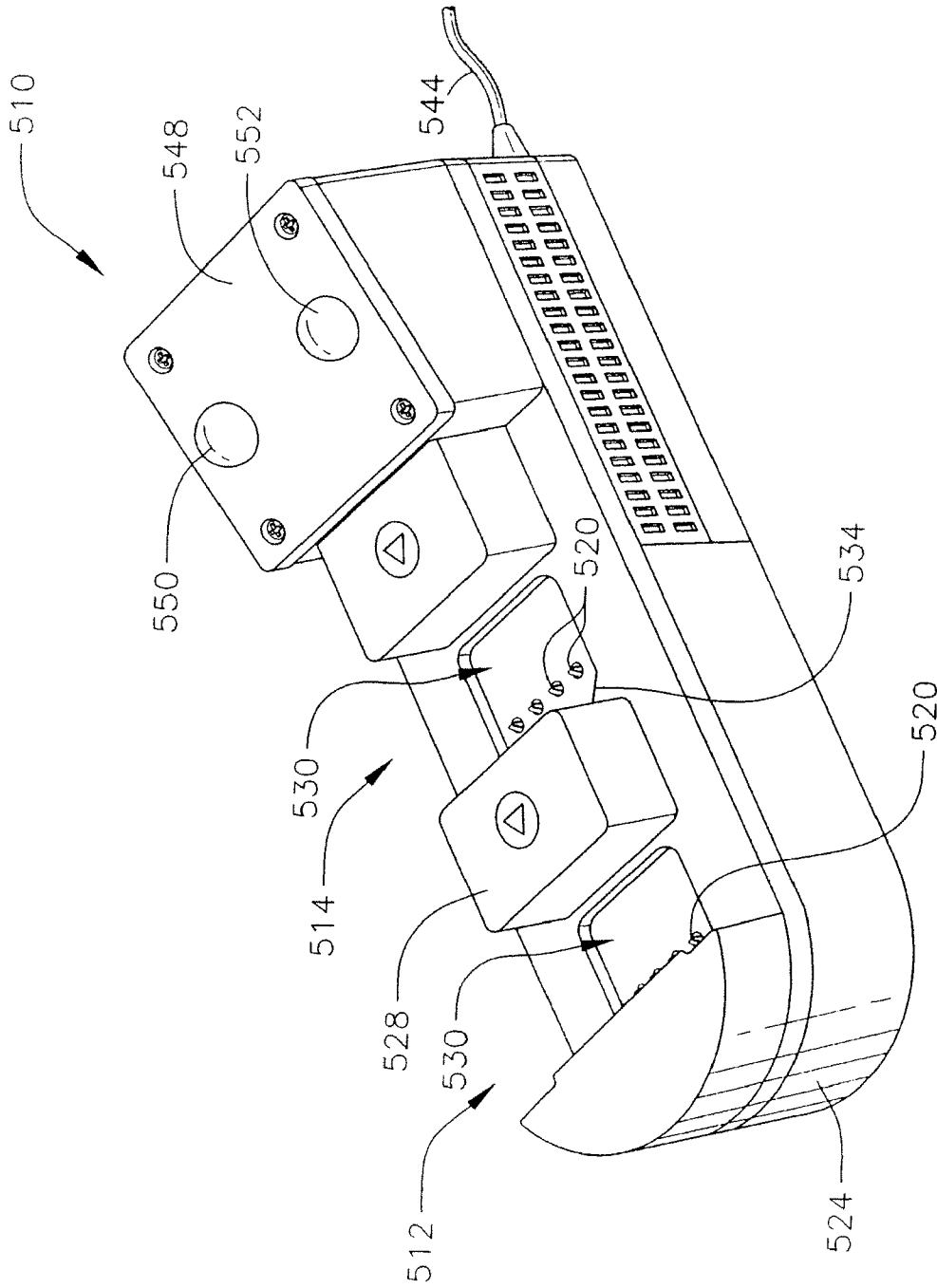


FIG. 15

FIG. 16



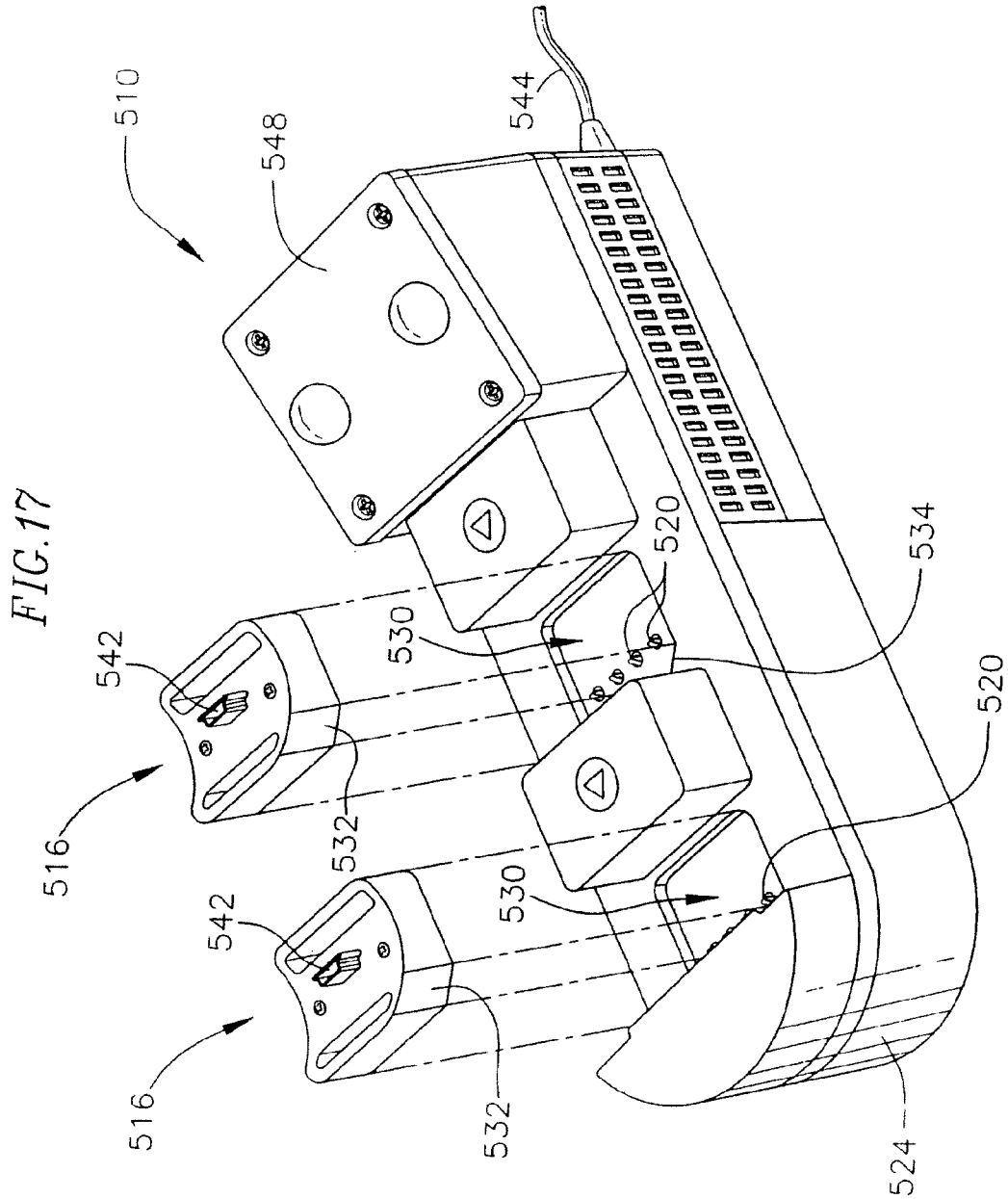
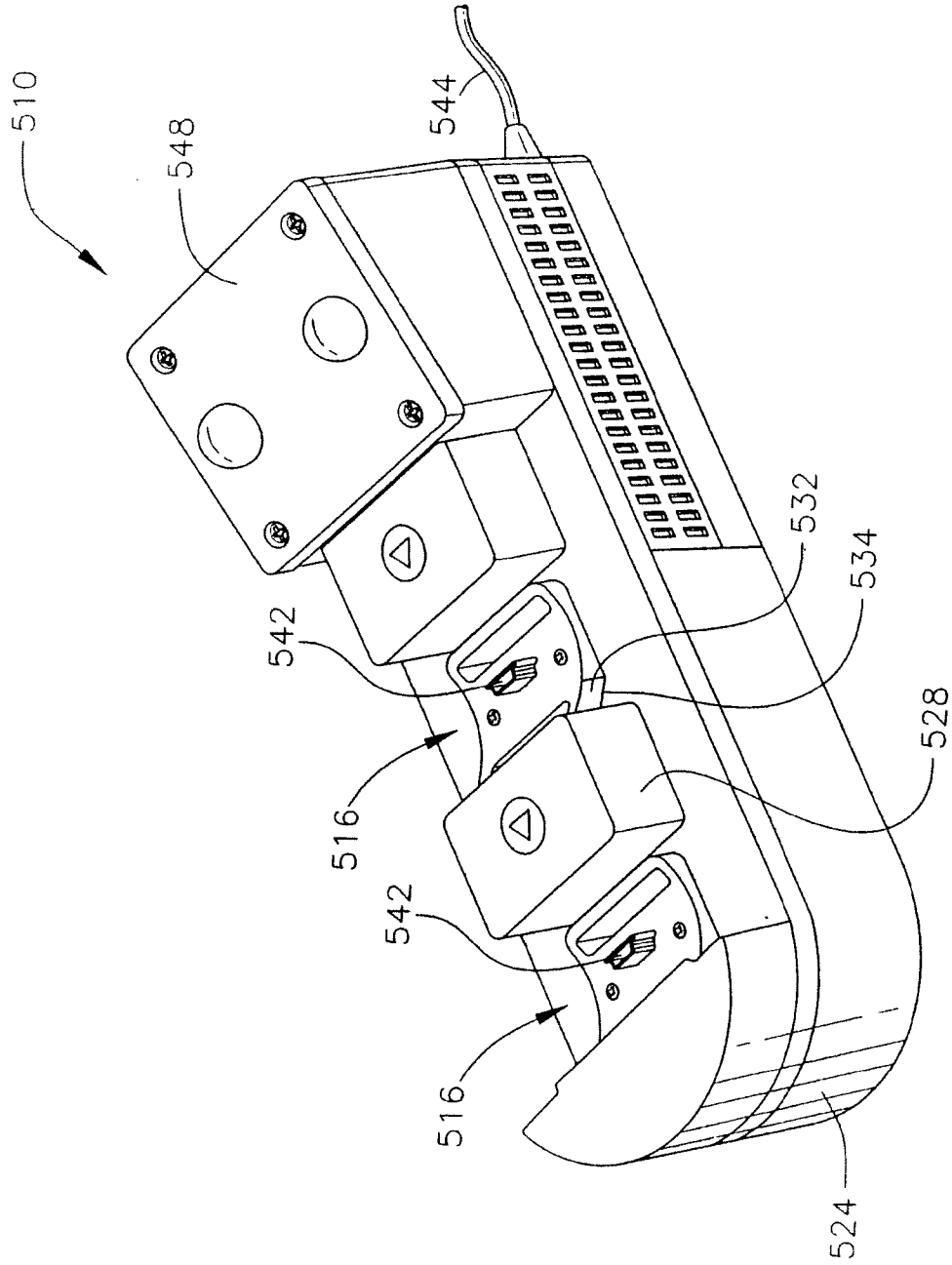


FIG. 18



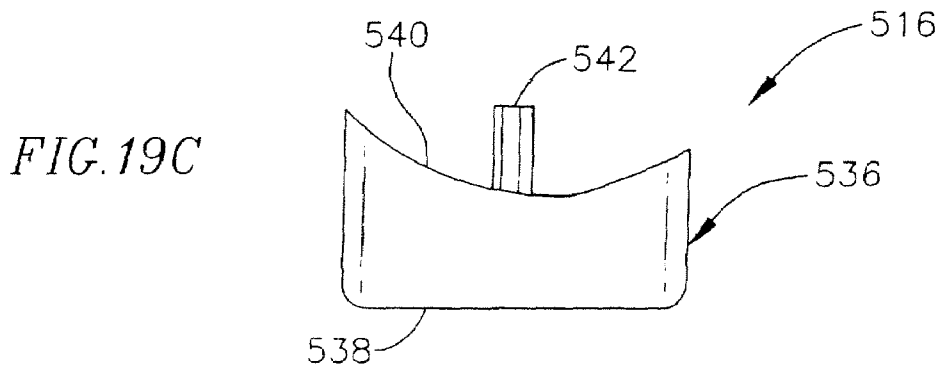
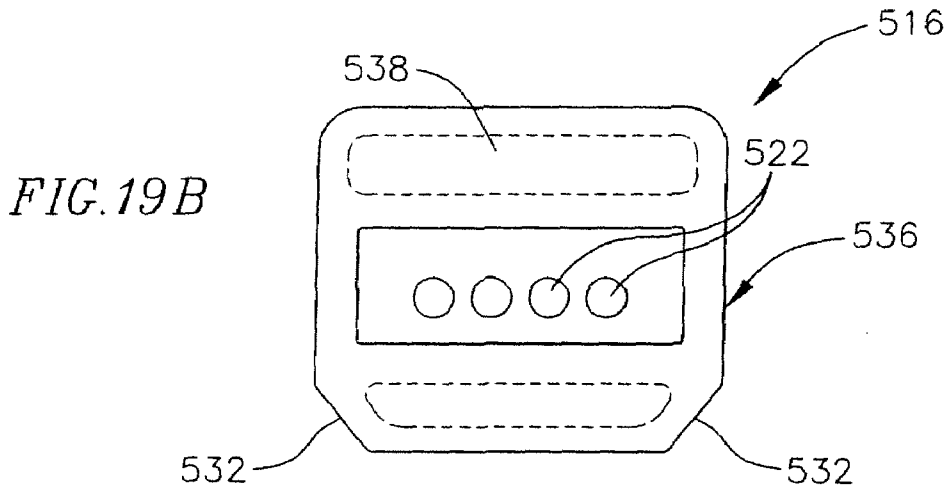
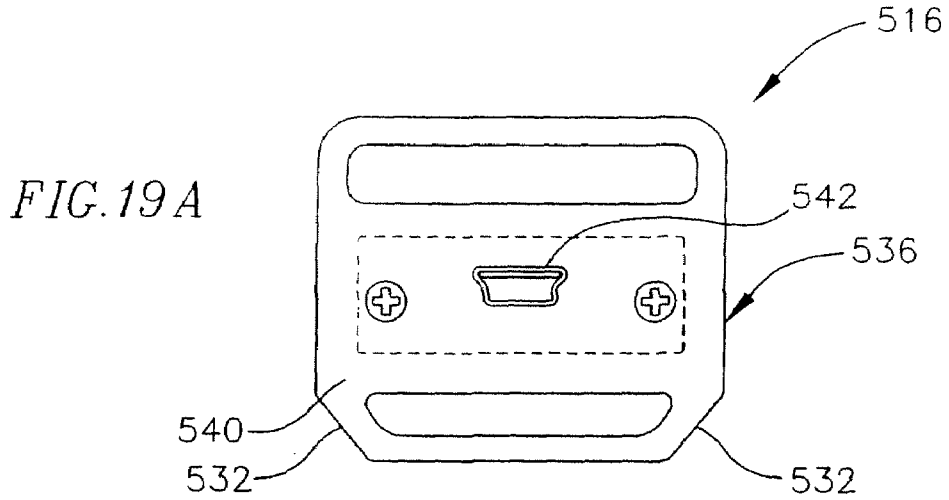
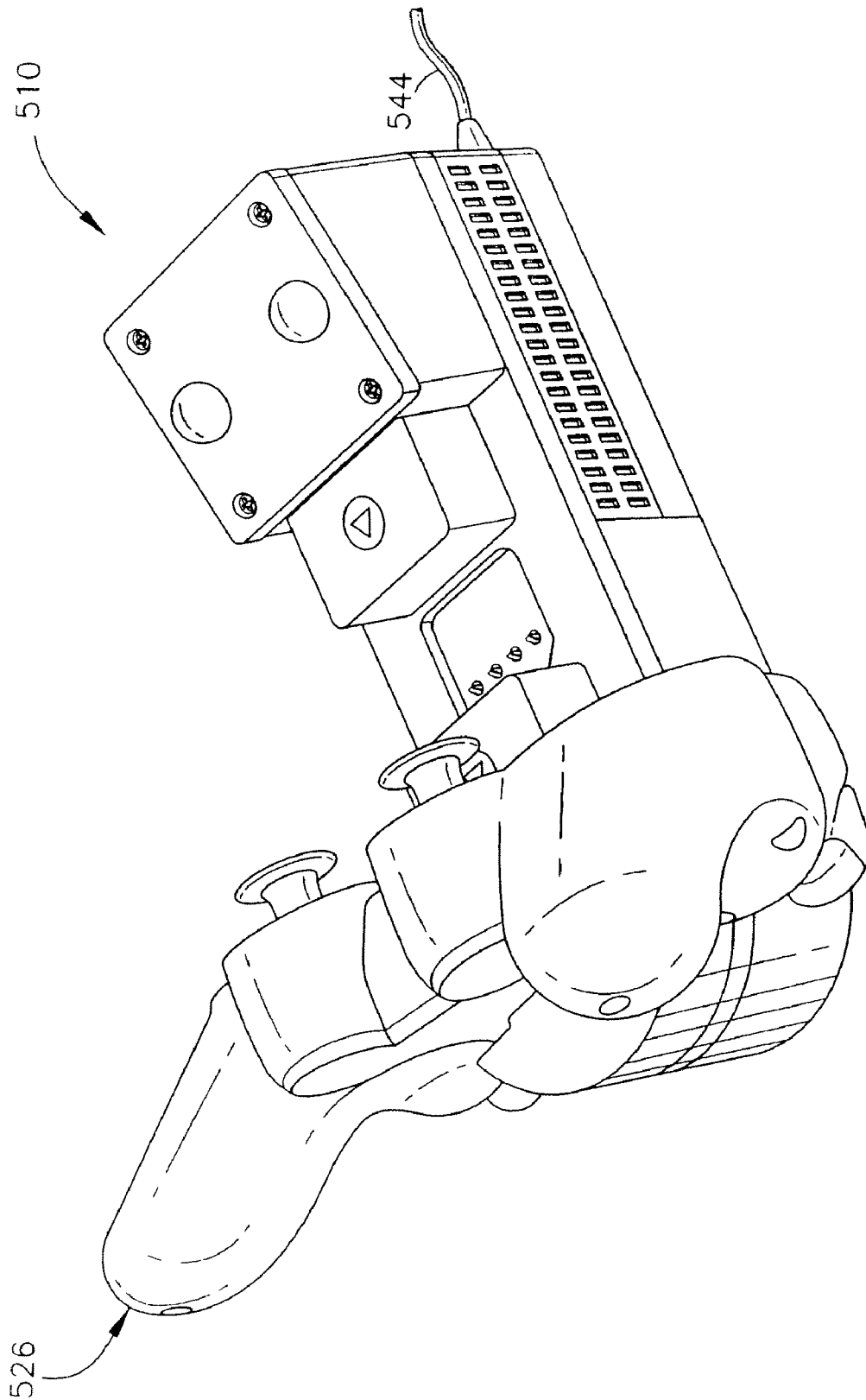
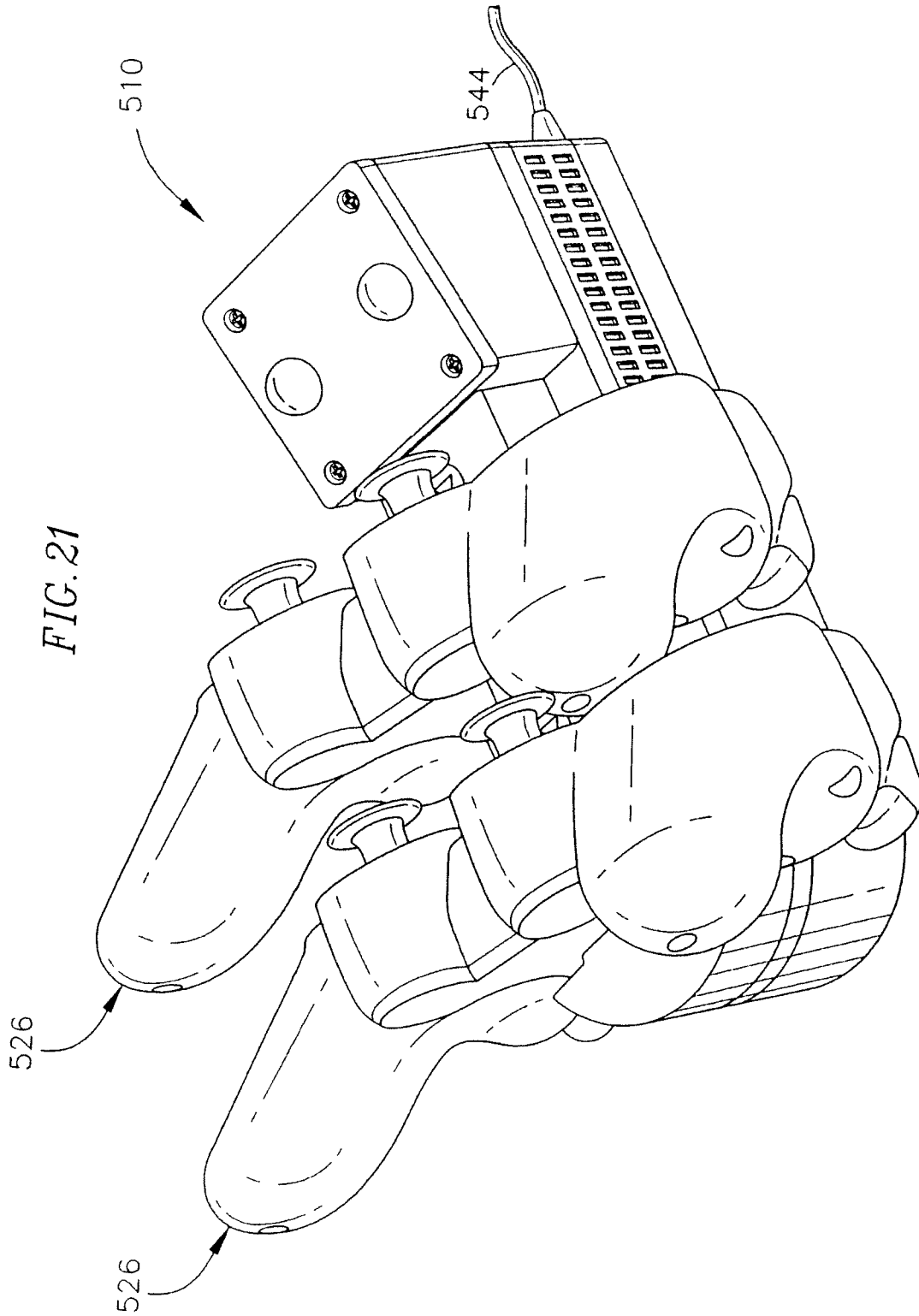


FIG. 20





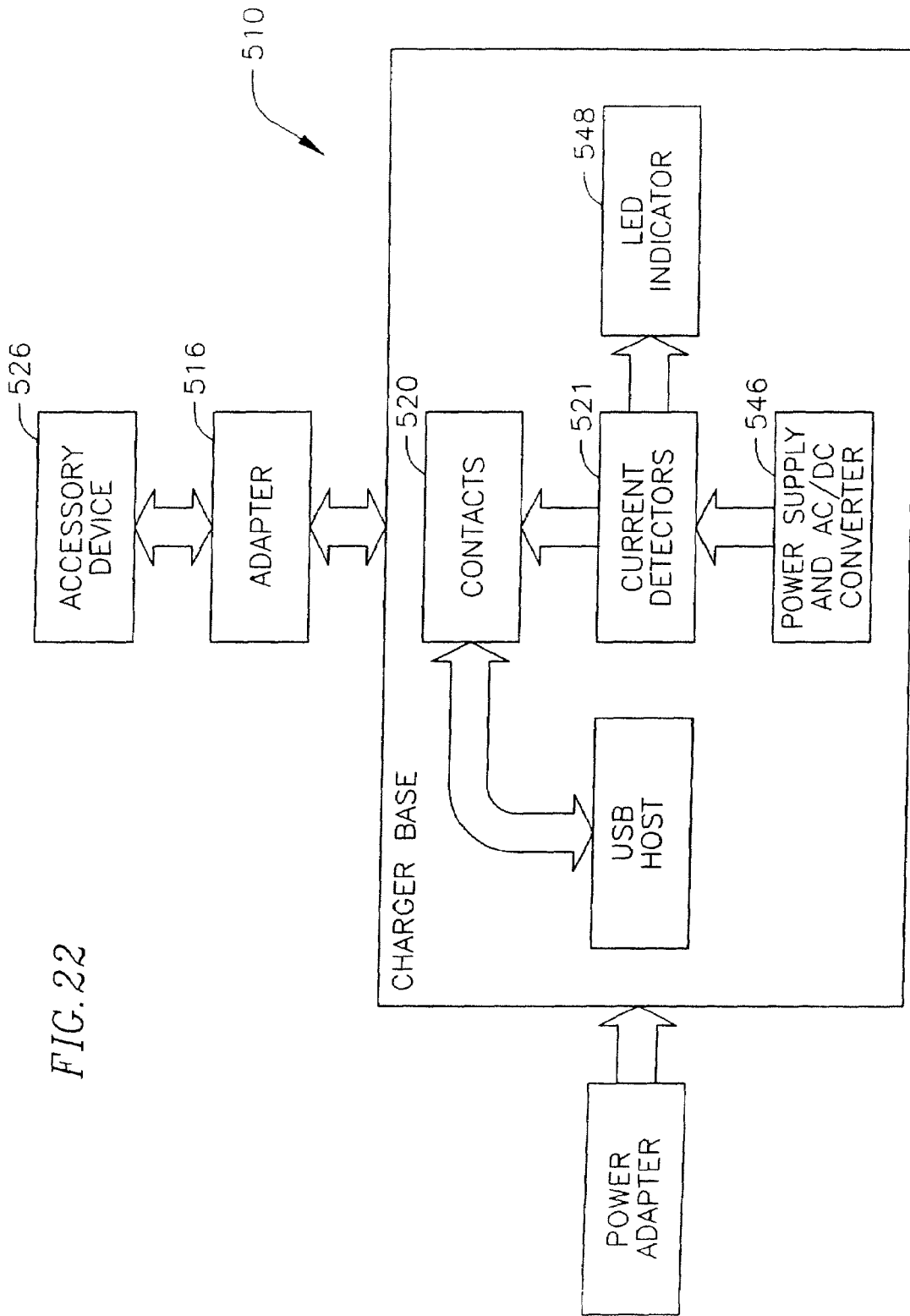
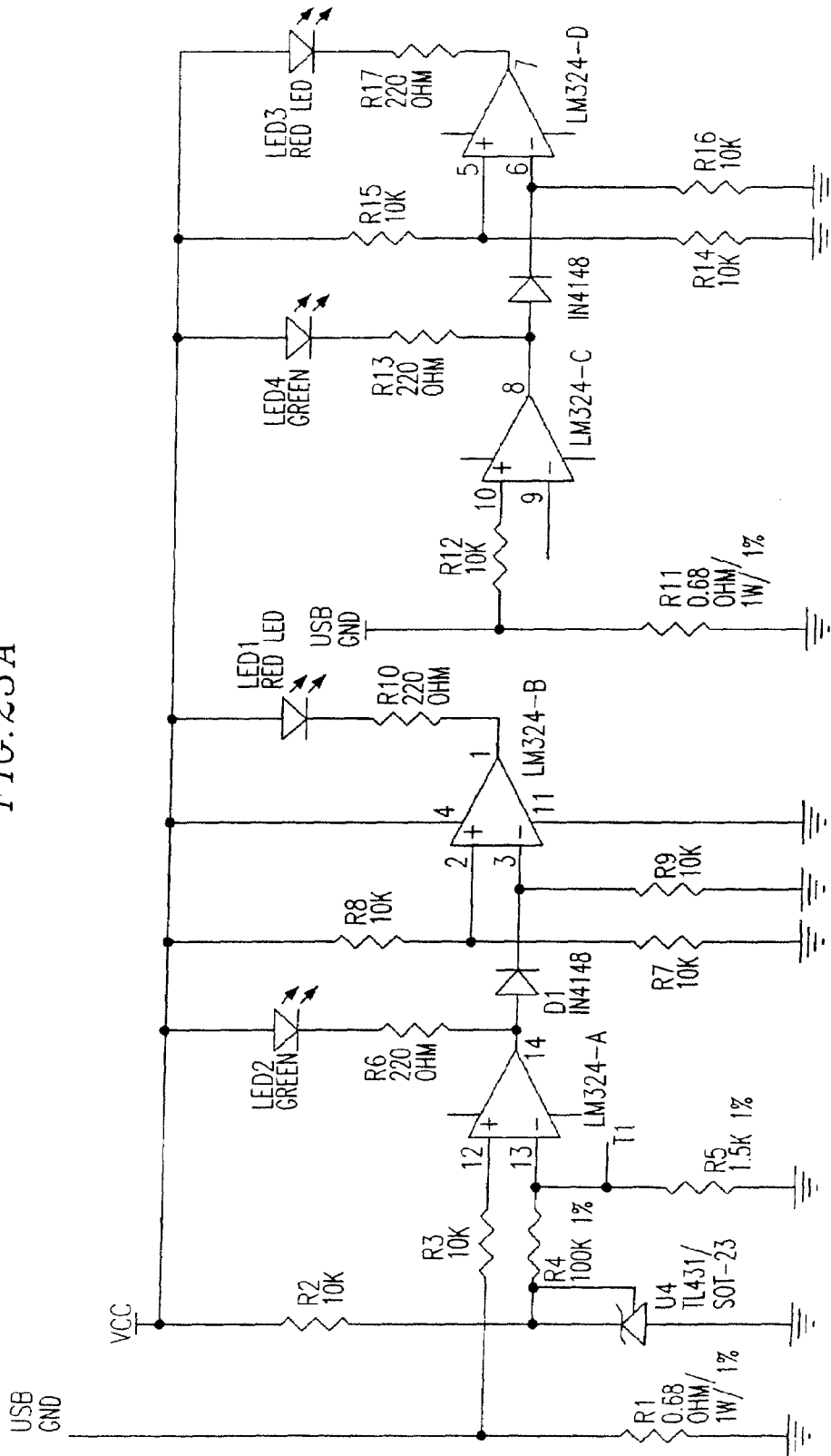


FIG. 22

FIG. 23A



US 8,143,848 B2

1

VIDEO GAME CONTROLLER CHARGING SYSTEM HAVING A DOCKING STRUCTURE**CROSS-REFERENCE TO RELATED APPLICATION(S)**

This application is a continuation-in-part of pending application Ser. No. 11/581,137, filed on Oct. 13, 2006 now abandoned, the entire content of which is expressly incorporated herein by reference.

This application also claims priority to and the benefit of U.S. Provisional Application No. 60/982,364, filed Oct. 24, 2007, the entire content of which is also incorporated herein by reference.

FIELD OF THE INVENTION

The present invention relates to charging systems for consumer electronics devices, and more particularly to charging systems for hand-held video game controllers.

BACKGROUND

Hand-held and portable electronic devices have become increasingly widespread and are used daily by many consumers. Examples of such devices include cellular phones, pagers, CD and MP3 players, digital organizers, video game units, digital cameras, and many other electronic devices. Most of these hand-held and portable devices rely on battery power while operating and require periodic recharging at an alternating current (AC) outlet. Each device requires its own power adapter, one end of which fits into the AC outlet and the other end into the device. Thus, in order to recharge multiple devices, consumers have to carry, keep track of, and operate multiple power adapters.

Consumer electronics devices ("CED"), such as personal computers, video game consoles, cell phones, and other devices, often utilize accessory devices that operate in connection with the CED. Examples of accessory devices include wireless headsets, audio speakers, and handheld controllers. These accessory devices often operate on battery power, so that they can be used without requiring a connection to a power supply. Frequent use of these battery-powered accessory devices drains the batteries and requires frequent replacement or recharging of the batteries. Frequent replacement of batteries can be expensive, and as a result, many accessory devices utilize rechargeable batteries.

Of the accessory devices, wireless handheld controllers (or video game controllers) are often used by video game players together with the corresponding video game console. Many video games allow multiple players to play concurrently, thereby requiring multiple handheld controllers.

The accessory device is connected to a charging station periodically to recharge the batteries. The charging station and the accessory device have matching plugs or ports that fit together to make a connection. If the plug on the charging station or the accessory device is broken or damaged, the accessory device can no longer be connected to the charging station. These plugs can be small and/or fragile, as the accessory device itself is often a small, compact device. These small plugs can be easily bent or broken, rendering the charging station inoperable. The user has to be careful to connect the plugs slowly, gently, and completely, in order to make a proper connection without damaging the parts.

SUMMARY OF THE INVENTION

In one exemplary embodiment, a video game controller charging system for charging at least one video game con-

2

troller using externally supplied power includes: a base; at least one structure on the base for providing physical support to the at least one video game controller while the at least one video game controller is being charged; and at least one DC port on the base configured to couple to and provide DC power to a power input port of the at least one video game controller.

In one embodiment, the at least one DC port includes at least one male mini-USB connector.

In one embodiment, the video game controller charging system further includes a current detector electrically coupled to the at least one DC port and an indicator electrically coupled to the current detector. The indicator is configured to indicate a charging status of the video game controller charging system and may include at least one LED.

In one embodiment, the at least one structure on the base includes at least one docking bay configured to receive one of the video game controllers.

In one embodiment, the at least one structure on the base includes opposite surfaces configured to align one of the at least one video game controller such that the power input port of the video game controller couples to one of the at least one DC port. Also, the opposite surfaces may include spring-loaded locating buttons configured to align the video game controller.

In one embodiment, the at least one DC port comprises a plurality of DC ports, the at least one video game controller comprises a plurality of video game controllers, and the plurality of DC ports is configured to concurrently couple to and provide the DC power to the plurality of video game controllers.

In one embodiment, the video game controller charging system further includes an AC-to-DC converter adapted to convert the externally supplied power to the DC power provided to the power input port of the at least one video game controller. In one embodiment, the AC-to-DC converter is in the base. In another embodiment, the AC-to-DC converter is external to the base.

In one embodiment, the AC-to-DC converter is adapted to convert an AC voltage in the range of 100 V to 240 V corresponding to the externally supplied power into a DC voltage corresponding to the DC power. The DC voltage may be DC 5 V.

In another exemplary embodiment, a charging system for at least one accessory device having a power input port includes: a base; at least one male mini-USB connector supported by the base and adapted to provide DC power to the at least one accessory device; at least one docking structure configured to receive and align the at least one accessory device to couple to the at least one male mini-USB connector; and a power input for connecting to a power supply, the power input electrically coupled to the at least one male mini-USB connector.

In one embodiment, the charging system further includes an AC-to-DC converter electrically coupled between the power input and the at least one male mini-USB connector.

In one embodiment, the charging system further includes an AC-to-DC converter external to the base and electrically coupled to the power input.

In one embodiment, the charging system further includes a current detector electrically coupled to the at least one male mini-USB connector and an indicator electrically coupled to the current detector, the indicator configured to indicate a charging status of the charging system. The indicator may include at least one LED.

In still another exemplary embodiment, a video game controller charging system for at least one video game controller

US 8,143,848 B2

3

having a power input port includes: a base; at least one male mini-USB connector supported by the base and adapted to provide DC power to the power input port of the at least one video game controller; and at least one docking structure having opposite surfaces configured to receive and align the at least one video game controller to couple the power input port of the at least one video game controller to the at least one male mini-USB connector.

In one embodiment, the video game controller charging system further includes an AC-to-DC converter adapted to convert an AC power received from an AC power supply to the DC power provided to the power input port of the at least one video game controller.

In another exemplary embodiment of the invention, a charging system for charging at least one accessory device having a power input port includes a base with at least one recess having at least one electrical contact. The base further includes a power input for connection to a power supply, the power input being electrically coupled to the at least one electrical contact. The charging system also includes at least one external adapter including a connector configured to couple to the power input port of one of the accessory devices, the at least one external adapter also including at least one electrical lead. The at least one recess is dimensioned to receive the at least one external adapter, the at least one electrical lead contacting the at least one electrical contact when the external adapter is received by the recess.

Another embodiment of the present invention provides a power adapter capable of supplying power from an AC outlet to a variety of hand-held devices. In exemplary embodiments of the present invention, a power adapter for recharging electronic devices is provided. The power adapter may have a Universal Serial Bus (USB) port to which a device with a USB plug can be connected for recharging. The adapter may also have a FireWire port to which a device with a FireWire plug can be connected for recharging. FireWire is a proprietary name of Apple Computer for the IEEE 1394 interface. Both ports may be operated concurrently to recharge a USB device and a FireWire device at the same time. The adapter also has an alternating current (AC) plug which is fixed or movable such that the plug extends from the rear side of the adapter. The AC plug can be fixed to the adapter body, or be slid or moved somehow into the adapter when the adapter is not in use for easy storage. When the adapter is in use, the AC plug is plugged into an AC outlet. The adapter draws power from the outlet and supplies that power to the USB and FireWire devices to enable them to recharge.

According to the present invention, in one embodiment a power adapter is provided that includes a housing body having a first side and a plurality of second sides. A plug is located on the first side and is adapted to connect to an AC outlet for providing an AC power. A first DC port is located on one of the second sides and is adapted to provide a first DC power to a first external device. A second DC port is located on one of the second sides and is adapted to provide a second DC power to a second external device. An AC-to-DC converter is located in the housing body and is adapted to convert an AC power received through the plug to the first DC power and the second DC power.

In one embodiment, the first DC port and the second DC port are USB ports. In another embodiment, the first DC port and the second DC port are FireWire ports. In yet another embodiment, the first DC port is a USB port and the second DC port is a FireWire port.

4

In one embodiment, the first DC power and the second DC power have different voltages. In another embodiment, the first DC power supplies DC 5 V and the second DC power supplies DC 13 V.

In one embodiment, the power adapter also includes a plurality of DC ports, each DC port being located on one of the second sides and being adapted to provide a DC power to an external device, wherein each DC port is selected from the group consisting of USB port, FireWire port, PS/2 port, serial port, and parallel port.

In one embodiment, the AC-to-DC converter is adapted to convert an AC voltage of 120 V or 240 V corresponding to the AC power to DC voltages corresponding to the first DC power and the second DC power.

In one embodiment, the AC-to-DC converter is adapted to convert an AC voltage in the range of 100 V to 240 V corresponding to the AC power to DC voltages corresponding to the first DC power and the second DC power.

In another exemplary embodiment, a power adapter is provided that includes a housing body having a first side and a plurality of second sides. A plug is located on the first side and is adapted to connect to an AC outlet for providing an AC power. The power adapter includes a plurality of USB ports, whereas each USB port is located on one of the second sides and is adapted to provide a DC power to an external device. An AC-to-DC converter is located in the housing body and is adapted to convert an AC power received through the plug to the DC power.

In one embodiment, the power adapter also includes at least one DC port, each DC port being located on one of the second sides and adapted to provide a second DC power to an external device, wherein each DC port is selected from the group consisting of FireWire port, PS/2 port, serial port, and parallel port.

In one embodiment, the AC-to-DC converter is adapted to convert an AC voltage of 120 V or 240 V corresponding to the AC power to a DC voltage corresponding to the DC power.

In one embodiment, the AC-to-DC converter is adapted to convert an AC voltage in the range of 100 V to 240 V corresponding to the AC power to a DC voltage corresponding to the DC power.

In another exemplary embodiment, a power adapter is provided that includes a housing body having a first side and a plurality of second sides. A plug is located on the first side and is adapted to connect to an AC outlet for providing an AC power. The power adapter includes a plurality of FireWire ports, whereas each FireWire port is located on one of the second sides and is adapted to provide a DC power to an external device. An AC-to-DC converter is located in the housing body and is adapted to convert an AC power received through the plug to the DC power.

In one embodiment, the plug is fixed to the housing body. In another embodiment, the plug is movable between a first position for plugging into the AC outlet and a second position inside the housing body.

In another exemplary embodiment of the present invention, a power adapter having a plurality of USB ports of various sizes to accommodate devices with different types of USB plugs (e.g., USB plugs of type A or type B) is provided. The adapter also has a plurality of FireWire ports of various sizes to accommodate devices with different types of FireWire plugs (e.g., 4-pin or 6-pin FireWire plugs).

In yet another exemplary embodiment of the present invention, a power adapter having a plurality of ports of various types to accommodate many different electronic devices, is provided.

US 8,143,848 B2

5

BRIEF DESCRIPTION OF THE DRAWINGS

FIG. 1 is a schematic front view diagram of a power adapter in an exemplary embodiment of the present invention.

FIG. 2 is a schematic front view diagram of a power adapter in another exemplary embodiment of the present invention.

FIG. 3 is a schematic front view diagram of a power adapter in yet another exemplary embodiment of the present invention.

FIG. 4 is a schematic front view diagram of a power adapter in another exemplary embodiment of the present invention.

FIG. 5 is a schematic side view diagram of the power adapter of FIG. 1 in a non-operating position.

FIG. 6 is a schematic side view diagram of the power adapter of FIG. 1 in an operating position.

FIG. 7 is a conceptual diagram of a side view of the adapter and the electronic device in an exemplary embodiment of the present invention.

FIG. 8 is a diagram showing the AC-to-DC converter in the adapter.

FIG. 9 is a schematic front view diagram of a power adapter in another exemplary embodiment of the present invention.

FIG. 10 is a schematic front view diagram of a power adapter in yet another exemplary embodiment of the present invention.

FIG. 11 is a perspective view of a video game controller charging system according to another exemplary embodiment of the present invention.

FIG. 12 is a top view of the video game controller charging system of FIG. 11.

FIG. 13 is a side view of the video game controller charging system of FIG. 11.

FIG. 14 is a perspective view of the video game controller charging system of FIG. 11 having video game controllers connected for charging.

FIG. 15 is a block diagram of the video game controller charging system of FIG. 11.

FIG. 16 is a perspective view of a charging station according to an exemplary embodiment of the invention.

FIG. 17 is a perspective view of a charging station and two adapters according to an exemplary embodiment of the invention.

FIG. 18 is a perspective view of a charging station with two adapters according to an exemplary embodiment of the invention.

FIG. 19A is a top plan view of an adapter according to an exemplary embodiment of the invention.

FIG. 19B is a bottom plan view of an adapter according to an exemplary embodiment of the invention.

FIG. 19C is a side plan view of an adapter according to an exemplary embodiment of the invention.

FIG. 20 is a perspective view of a charging station with a video game controller according to an exemplary embodiment of the invention.

FIG. 21 is a perspective view of a charging station with two video game controllers according to an exemplary embodiment of the invention.

FIG. 22 is a block diagram of a charging station and an accessory device according to an exemplary embodiment of the invention.

FIGS. 23A-B are a circuit diagram of a charging station according to an exemplary embodiment of the invention.

DETAILED DESCRIPTION

In one embodiment, a video game controller charging system is provided. The video game controller charging system

6

includes a base, at least one structure on the base for providing physical support to at least one video game controller while it is being charged, and at least one DC port on the base configured to couple to and provide DC power to a power input port of the at least one video game controller. In some embodiments, the video game controller charging system may include a current detector, a charging status indicator, at least one docking bay, and/or an AC-to-DC converter adapted to convert externally supplied power to the DC power provided to the power input port of at least one video game controller. In other embodiments, the base of a charging system (or "charging station") may include a recess having at least one electrical contact and a power input for connection to a power supply, the power input being electrically coupled to the at least one electrical contact. The charging station also includes an external adapter with a connector configured to couple to a power input port of the accessory device, and with at least one electrical lead. The recess is dimensioned to receive the adapter, with the at least one electrical lead contacting the at least one electrical contact when the adapter is received by the recess.

In another embodiment, a power adapter includes a housing body having a plurality of sides. In addition, the power adapter includes a plug located on one side of the housing body and adapted to connect to an alternating current (AC) outlet. Furthermore, the power adapter includes first and second direct current (DC) ports, each located on a side of the housing body and each adapted to provide a DC power to an external device. Finally, the power adapter includes an AC-to-DC converter for converting the AC power received through the plug to the DC powers supplied to external devices.

A power adapter may include one or more USB ports to which devices with USB plugs can be connected for recharging. The adapter may also include one or more FireWire ports to which devices with FireWire plugs can be connected for recharging. Both ports may be operated concurrently. The adapter also has an AC plug that is fixed or is movable between a first position (e.g., operating position) and a second position (e.g., non-operating position). By way of example, the AC plug may extend from the rear side of the adapter. The AC plug can be fixed to the adapter housing body, or it can be retracted, folded, slid, or somehow moved into the adapter housing body for easy storage when the adapter is not in use. When the adapter is in use, the AC plug is plugged into an AC outlet. In one embodiment, the adapter draws AC power from the outlet, converts it to DC powers having +5 V and +13 V, respectively, and supplies the DC powers to the USB and FireWire devices, respectively, to enable them to recharge.

In each of the disclosed embodiments, the USB, FireWire, serial, parallel, and generally DC ports, may be either male or female. That is, the DC charging ports may be female and accept a plug, or may itself be a port plug for plugging into a port in an external device.

FIG. 1 is a schematic front view diagram of a power adapter 100 in an exemplary embodiment of the present invention. The power adapter 100 has a USB port 101 to which a device with a USB plug can be connected for recharging. The power adapter 100 also has a FireWire port 102 to which a device with a FireWire plug can be connected for recharging. The power adapter 100 includes an AC-to-DC power converter for providing +5 V and +13 V, respectively. The power adapter 100 may take an input of 100 V to 240 V (w/frequencies of 50 Hz or 60 Hz) AC power and/or any other standard AC outlet voltage to enable the power adapter 100 to be used in a number of different countries throughout the world.

In the United States, AC voltage is standardized at 120 V, but in practice voltages range from 105 V to 130 V. In other

US 8,143,848 B2

7

parts of the world, voltages range from 100 V to 240 V. The frequencies vary across the world as well. In the U.S., 60 Hz is the standard. However, in other parts of the world, AC voltage is supplied at 50 Hz or 60 Hz. The AC-to-DC power converters in the power adapter may be adapted to convert AC voltages from a particular standard to a DC voltage required of the DC ports in the power adapter.

The USB port **101** is capable of delivering DC power having +5 V to a connected USB device. The FireWire port **101** is capable of delivering DC power having +13 V to a connected FireWire device. Ports **101**, **102** may be operated concurrently to recharge a USB device and a FireWire device at the same time. While FIG. 1 illustrates that ports **101**, **102** are located at the front surface of the power adapter **100**, the ports may be located at any suitable location on the front, rear, side, top, or bottom surfaces or sides of the adapter **100**.

FIG. 2 is a schematic front view diagram of a power adapter **110** in another exemplary embodiment of the present invention. The power adapter **110** has two FireWire ports **102** to which a device with a FireWire plug can be connected for recharging. The FireWire ports **102** may be of a different type and may accept 4-pin or 6-pin FireWire connections. Each FireWire port **102** is capable of delivering DC power having +13 V to a connected FireWire device. Ports **102** may be operated concurrently to recharge FireWire devices at the same time.

FIG. 3 is a schematic front view diagram of a power adapter **120** in yet another exemplary embodiment of the present invention. The power adapter **120** has two USB ports **101** to which a device with a USB plug can be connected for recharging. The USB ports **101** may be of a different type and may accept type A or type B connections. Each USB port **101** is capable of delivering DC power having +5 V to a connected USB device. Ports **101** may be operated concurrently to recharge USB devices at the same time.

FIG. 4 is a schematic front view diagram of a power adapter **130** in another exemplary embodiment of the present invention. Power adapter **130** has a USB port **161** and a FireWire port **162** that are connected to lines **163**. The lines extend the ports so that USB and FireWire plugs may be inserted into the extended ports without having to reach the power adapter **130** plugged into an AC outlet. Although a USB and FireWire port are shown in FIG. 4, this embodiment includes all possible combinations of ports, the combination being formed from USB, FireWire, serial, parallel ports, and other DC charging ports, in various combinations.

FIG. 5 is a schematic side view diagram of the power adapter **100** of FIG. 1 in its non-operating position. The power adapters **110** and **120** of FIGS. 2 and 3 have substantially the same structure in one embodiment. As shown in FIG. 5, the power adapter **100** may have an AC plug **103** that is movable such that it extends from the rear side of the adapter **100**. In the non-operating position, when the adapter **100** is not in use, the AC plug **103** is slid, moved, or otherwise positioned into the adapter **100** so that the plug **103** does not extend out from the adapter **100**. This non-operating position allows for easy storage of the adapter **100**. In other embodiments, the plug may be fixed to the adapter housing body and is not movable.

FIG. 6 is a schematic side view diagram of the power adapter **100** of FIG. 1 in its operating position. As shown in FIG. 6, when the power adapter **100** is in use, the AC plug **103** is slid, moved, or otherwise positioned outside of the housing of the adapter **100**, so that the plug **103** extends out from the adapter **100** in its operating position. In this position the AC plug **103** may be plugged into an AC outlet so that the adapter **100** can draw AC power from the outlet, convert it to DC

8

powers having +5V and +13V, respectively, and supply the DC powers to hand-held and portable electronic devices.

While the AC plug **103** of the power adapter **100** illustrated in FIGS. 5 and 6 appears as a pair of parallel flat bars that are commonly used in the United States and some other countries, for international use, the AC plug may have a shape of a pair of cylindrical bars used in many Asian and European countries, and/or any other suitable shape. Furthermore, a single power adapter may include a number of different types of AC plugs for use in many different countries having different AC plug types/AC power voltages.

FIG. 7 is a conceptual diagram of a side view of an adapter **100** and an electronic device **105** in an exemplary embodiment of the present invention. The adapter **100** is plugged into an AC outlet **106**. A device **105** is connected to the adapter **100** by a cable **104**. The cable **104** plugs into the adapter **100** through a plug **101** or **102**, shown in FIG. 1. The adapter **100** draws power from the AC outlet **106** and delivers the power to the device **105** through the cable **104**.

FIG. 8 is a diagram showing the AC-to-DC converter in the adapter **100**. The AC-to-DC converter **112** is located in the housing body of the adapter **100**. The AC-to-DC converter **112** receives an AC power from the AC plug **103** via an AC outlet **106** and provides DC power to a plurality of DC ports **111**. The AC-to-DC converter **112** may be composed of multiple AC-to-DC converters in order to provide different DC power voltages to the DC ports **111**. For example, in FIG. 1, the AC-to-DC converter would receive AC power from the AC plug **103** and provide DC 5 V to one DC port (e.g., USB port **101**) and DC 13 V to another DC port (e.g., FireWire port **102**).

FIG. 9 is a schematic front view diagram of a power adapter **200** in another exemplary embodiment of the present invention. The adapter **200** has a plurality of USB ports **201** to which a plurality of devices with USB plugs can be connected for recharging. The USB ports **201** may be of various sizes to accommodate devices having different types of USB plugs (e.g., USB plugs of type A or type B). The adapter **200** also has a plurality of FireWire ports **202** to which a plurality of devices with FireWire plugs can be connected for recharging. The FireWire ports **202** may likewise be of various sizes to accommodate devices having different types of FireWire plugs (e.g., 6-pin or 4-pin FireWire plugs). The ports **201** and **202** may be located at any suitable location on the front, rear, side, top, or bottom surfaces or sides of the adapter **200**.

FIG. 10 is a schematic front view diagram of a power adapter **300** in yet another exemplary embodiment of the present invention. The adapter **300** has a plurality of ports **301a**, **301b**, **301c**, **301d**, **301e**, **301f**, **301g** having different cross-sectional shapes to which a plurality of devices can be connected for recharging. The ports **301** may be of a wide variety of ports used by popular electronic devices, such as USB, FireWire, PS/2, serial ports, parallel ports, and others. The ports **301a-301g** may be located at any suitable location, on the front, rear, side, top, or bottom surfaces or sides of the adapter **300**. The ports of the power adapter **300** may have cross-sections that are different from the cross-sections of the ports **301a-301g** that are shown for illustrative purposes only.

Similar to the power adapter **100** of FIG. 1, the power adapters **200** and **300** of FIGS. 9 and 10 each have one or more AC plugs for plugging to corresponding AC outlets to receive AC power therefrom. The AC plugs may have different shapes to be compatible with AC outlets used in various different countries of the world.

Further, similar to the power adapter **100**, the power adapters **200** and **300** of FIGS. 9 and 10 may have capabilities to convert a range of different AC voltages that are used through-

out the world. By way of example, the power adapters **200** and **300** may be able to convert from AC power having a voltage range of 100 V to 240V (and at frequencies 50 Hz or 60 Hz) to DC power having +5 V and +13 V and/or any other desirable voltages.

FIGS. **11**, **12**, and **13** are perspective, top, and side views, respectively, of a video game controller charging system **400** according to another exemplary embodiment of the present invention. FIG. **14** is a perspective view of the video game controller charging system **400** having video game controllers **420** connected for charging. In one embodiment, the charging system **400** converts AC power from an AC power supply to DC power and supplying the DC power having a desired DC voltage to a connected CED accessory device, such as one of the video game controllers **420**. In such an embodiment, the video game controller charging system **400** includes an AC-to-DC converter for converting AC power to DC power. In other embodiments, the video game controller charging system **400** may receive DC power from an external power source. In such cases, the external DC power may be provided by an external AC-to-DC converter that receives power from an AC outlet, and converts the received AC power to DC power.

The video game controller charging system **400** includes a base **402** and one or more docking bays **404**, wherein each docking bay **404** is configured to receive a video game controller **420**. The charging system **400** also includes one or more partitions **406** separating the docking bays **404**. The charging system **400** further includes a DC port **408** within each of the docking bays **404** that is configured to electrically couple to one of the video game controllers **420** and deliver DC power to the coupled video game controller **420**.

The DC ports **408** of the video game controller charging system **400** are configured to connect to a power input port of the video game controller **420** to be charged. In the present embodiment, the DC ports **408** are male mini-USB (universal serial bus) connectors adapted to connect to a female mini-USB connector on a video game controller for a video game console, such as the PlayStation3®. Alternatively, the DC ports **408** may be any electrical connectors suitable for coupling to a video game controller for another video game console, or for any other consumer electronics device to be charged, such as an MP3 player or accessory device.

In the present embodiment of the video game controller charging system **400**, the partitions **406** include locators **410** for aligning the video game controller to the DC port **408**. There are locators **410** on each of the two surfaces of the partitions **406**, as well as the two surfaces of the base **402**, which face the DC ports **408**. There may be two locators **410** on each surface described, i.e., four locators **410** adjacent each video game controller **420**. Each pair of opposite surfaces, a portion of the base **402**, a corresponding docking bay **404**, and/or the locators **410** may comprise a structure for providing physical support to one of the video game controllers **420** during charging. While the locators **410** in the illustrated embodiment of FIG. **11** are button-shaped, the shape of the locators **410** is not limited thereto. Also, the locators **410** may be spring-loaded in order to facilitate aligning and maintaining a required position of the video game controller **420** for coupling to the corresponding DC port **408**. In other embodiments, the locators **410** may not be spring-loaded and the video game controller **420** may be aligned by the locators **410** through any other suitable method or mechanism, such as a pressure fit.

In use, the DC ports **408** are connected to power input ports of the video game controllers **420** to be charged, as shown in FIG. **14**. When one or more video game controllers **420** need

to be recharged, connecting the video game controllers **420** to the charging system **400** is as easy as inserting each of the video game controllers **420** into one of the docking bays **404**. As described above, the locators **410** aid in aligning the video game controller **420** into the docking bay **404** such that the power input port of the video game controller **420** slides down onto and connects to the DC port **408**. The charging system **400** is connected to a power supply through its own power input (either AC power which is converted to DC power using an internal AC-to-DC converter or externally provided DC power). The charging system **400** then provides power to the video game controller **420** to recharge the batteries of the video game controller **420**.

While the embodiment described above uses a vertical orientation, with each of the video game controllers **420** being dropped from above into the docking bays **404**, other orientations may be used as well. In one alternative embodiment, for example, the video game controllers **420** may be received horizontally into the docking bays **404**, and electrically coupled to DC ports **408** having a horizontal orientation instead of the vertical orientation shown in FIGS. **11-14**.

The present embodiment of the video game controller charging system **400** can charge up to four video game controllers **420** concurrently, or it can charge one at a time. Alternative embodiments of the charging system **400**, however, may be configured to charge more than four video game controllers **420** concurrently. The power supply for the charging system **400** may be a power cord **416** that has a plug for connecting to an AC power supply or a DC power supply. In one embodiment, the charging system **400** also includes an AC-to-DC converter **440** (see FIG. **15**) electrically coupled between the power cord **416** and the DC ports **408** for converting AC power to DC power having +5 V or any DC voltage suitable for delivery to the video game controller **420**. The AC-to-DC converter **440** may be in the base **402** or external to the base **402**. The power cord **416** may be removably connected to the base **402**, or may be fixedly coupled to the base **402**. In an alternative embodiment, the power input may be a USB port that connects to a CED (e.g., a video game console) to obtain DC power from the CED. The charging system **400** provides this DC power to the DC ports **408** for delivery to the video game controllers **420**. In other embodiments, DC power may be provided as input to the charging system **400**, where the DC power may be provided by an external AC-to-DC converter. In such embodiments, the power input may be DC power converted from AC power from a wall outlet and converted to DC power using the external AC-to-DC converter.

The video game controller charging system **400** may also include an indicator panel **450** that indicates a status of the charging system **400**. In the present embodiment, the indicator panel **450** includes four LED assemblies **452**. Each of the four LED assemblies **452** corresponds with one of the four DC ports **408**, so as to indicate the charging status of the video game controller **420** being charged at the respective DC port **408**. Each of the LED assemblies **452** includes at least two LEDs having different colors. For example, each of the LED assemblies **452** in the present embodiment includes a red LED and a green LED. While the respective video game controller **420** is being charged, the red LED is emitted to indicate that the video game controller **420**, or more specifically, the battery inside the video game controller **420**, is currently being charged. When the respective video game controller **420** is finished charging, the green LED is emitted to indicate that the charging has been completed. In another embodiment, the green LED may be emitted to indicate that the video game controller is being charged, while the red LED

11

is emitted to indicate that the charging has been completed. In alternative embodiments, each of the LED assemblies 452 may include different colors of LEDs and/or different numbers of LEDs (e.g., three LEDs) to indicate respective charging status.

In another alternative embodiment, each of the LED assemblies 452 may include a single LED and may illuminate with a first color (e.g., red) to indicate that the charging system 400 is currently charging a video game controller 420. Another LED assembly 452 may illuminate with a second color (e.g., green) to indicate that the charging system 400 has completed charging. The LED assemblies may be electrically coupled to a current detector 460 (see FIG. 15) which provides the signals to illuminate the LEDs. In one embodiment, the charging system 400 may stop providing power to the video game controller 420 when the video game controller's internal battery is completely charged.

FIG. 15 is a block diagram showing some of the above-described components of the video game controller charging system 400 in schematic form. As can be seen in FIG. 15, the charging system 400 includes DC ports 408, each of which is configured to be electrically coupled with a video game controller 420. Through the DC ports 408, the charging system 400 is capable of supplying the power received from a power adapter or a power supply to the video game controllers 420 for charging.

In one embodiment, the base 402 includes an AC-to-DC converter 440 for converting input AC power to DC power for charging the video game controller 420. In other embodiments, the charging system 400 may be provided with an external AC/DC converter, DC power via a mini-USB port, or any other suitable DC power supply. The charging system 400 may include a USB host used to provide DC power via a mini-USB port.

In one embodiment, the video game controller charging system 400 includes one or more current detectors 460 for detecting the amount of current being provided by the power supply to the video game controllers 420 through the DC ports 408. If sufficient current, i.e. a predetermined amount of current, is detected by one of the current detectors 460, the corresponding LED (e.g., a red LED) is emitted to indicate that the video game controller 420 in the corresponding docking bay 404 is being charged. Then, when the charging has been completed, less current is detected because the battery in the accessory device is already substantially fully charged. In this case, another LED (e.g., a green LED) is emitted to indicate that charging has been completed.

Another exemplary embodiment of the invention, shown in FIGS. 16-23, relates to a charging station for a consumer electronics device (CED), and more particularly, to a charging station for one or more hand-held controllers for a video game console. A charging station 510 according to an exemplary embodiment of the invention is shown in FIG. 16. The charging station 510 includes two docking bays 512, 514 for two accessory devices, which in one embodiment are hand-held controllers for a video game console. The docking bays 512, 514 are dimensioned to accept adapters 516 (see FIG. 17). Electrical contacts 520 in the docking bays 512, 514 make contact with electrical leads 522 on the adapters 516 (see FIG. 19B) to provide an electrical connection through which power can be transmitted. The adapters 516 are electrically coupled to the power input port on the hand-held controllers. In one embodiment, the adapters 516 drop-fit easily into the docking bays 512, 514, thus providing a fast and easy connection of the hand-held controllers to the charging station 510.

12

As shown in FIG. 16, the charging station 510 includes a base 524 with two docking bays 512, 514. The docking bays 512, 514 are each dimensioned to accept a hand-held controller 526 (see FIGS. 20, 21). The two docking bays 512, 514 are separated by a partition 528 positioned between them. Each of the docking bays 512, 514 includes a recess 530 at the bottom of the docking bay. The recess 530 has four electrical contacts 520 positioned in the recess 530. In other embodiments, the recess may include more than four or less than four electrical contacts. These contacts 520 are shown positioned in a linear arrangement in the recess 530, but they could be positioned in any suitable arrangement.

The recesses 530 are dimensioned to receive an adapter 516 into the recess 530. As shown in FIG. 17, the adapters 516 can be dropped vertically into the docking bays 512, 514 and into the recesses 530. When the adapters 516 are placed into the recesses 530, electrical leads 522 (see FIG. 19B) on the bottom side 538 of the adapters 516 contact the electrical contacts 520 in the recesses 530. The electrical leads 522 on the adapter 516 thus make an electrical connection with the electrical contacts 520 in the recess 530. The electrical leads 522 on the adapter 516 match the arrangement of the electrical contacts 520 such that each electrical lead 522 makes physical contact with an electrical contact 520 when the adapter 516 is placed in the recess 530. In one embodiment, as will be described later, the electrical contacts 520 are spring loaded so as to make sufficient contacts with the electrical leads 522.

In other embodiments, the adapters 516 and the docking bays 512, 514 have matching shapes, such as, for example, a molded male and female matching shape, which is not limited to the recess 530 described above. The docking bays 512, 514 and the adapters 516 can have any suitable shapes that allow the electrical contacts 520 of the docking bays 512, 514 to make contact with the electrical leads 522 of the adapters 516. Thus, many molded configurations, including ridges, grooves, and other shapes, can be used to enable the docking bays 512, 514 to receive the adapters 516. These examples are illustrative only, and not limiting.

As shown in FIG. 18, in one embodiment, the adapters 516 and recesses 530 are shaped such that the adapter 516 can only be placed into the recess 530 in one orientation. In the embodiment shown, the adapter 516 includes at least one angled edge 532, and the recess 530 includes a matching angled corner 534. This geometry ensures that the adapter 516 will be placed in the recess 530 in the proper orientation, so that the electrical contacts 520 meet the electrical leads 522. Other geometric configurations or features could be used to accomplish this function, such as matching prongs and recesses, or other types of shaped edges. Additionally, this feature is optional, as the adapter 516 could be made to fit into the recess 530 in multiple orientations.

As shown in FIGS. 19A-19C, the adapter 516 includes a body 536 with the angled edge 532. The electrical leads 522 are located on a bottom side 538 of the body 536. The top side 540 of the body 536 includes a connector 542 that is configured to connect to the power input port of the accessory device to be charged. In one embodiment, the connector 542 is a male mini-USB (universal serial bus) connector adapted to connect to a female mini-USB connector on a hand-held controller for a video game console, such as the PlayStation3®.

In use, the connector 542 on the adapter 516 is connected to the power input port of the accessory device to be charged, such as the hand-held controller 526 shown in FIGS. 20 and 21. The adapter 516 is a small and light-weight piece that connects snugly to the power input port of the hand-held

13

controller 526. The adapter 516 can remain with the hand-held controller 526 at all times, even when the controller 526 is not being charged in the charging station 510. When the hand-held controller 526 is in use during operation of a video game, when the controller 526 is stored, and when it is charging, the adapter 516 can remain connected to (and physically mounted on) the controller 526. The adapter 516 is small and light weight, so that it does not interfere with operation of the controller 526. When the controller 526 needs to be recharged, connecting it to the charging station 510 is as easy as dropping it into one of the docking bays 512, 514. The adapter 516 slides easily into the recess 530, and the electrical leads 522 on the bottom of the adapter 516 make an electrical connection with the electrical contacts 520 in the recess 530. The charging station 510 is connected to a power supply through its own power input. The charging station 510 then provides power to the controller 526 to recharge the controller's batteries. This recharging process is fast and easy, as the adapter 516 allows the controller 526 to be simply dropped into place, rather than carefully connected to a fragile port or connector.

While the embodiment described above uses a vertical orientation, with the controller 526 and adapter 516 being dropped from above into the recess 530, other orientations may be used as well. In one embodiment, the adapter 516 is received horizontally into one of the docking bays 512, 514, and the electrical contacts 520 in the docking bay and electrical leads 522 on the adapter 516 are arranged vertically to make contact with each other when the adapter 516 is horizontally placed into the docking bay. In one embodiment, the adapter 516 is placed into the docking bay by a push-fit, press-fit, or snap-fit, rather than simply a drop-fit. These fitting engagements are fast and easy to use, and also provide a reliable connection between the adapter 516 and charging station. In another embodiment, the charging station includes prongs that hold the controller and adapter into place after they have been placed (vertically or horizontally) into the docking bay to obtain a complete electrical connection.

The charging station 510 can charge two controllers 526 simultaneously (or concurrently), or it can charge one at a time. The power input for the charging station 510 may be a power cord 544, as shown in FIG. 20, that connects to an alternating current (AC) power supply. In this case, the charging station 510 includes an AC/DC converter electrically coupled between the power input and the electrical contacts 520, in order to provide direct current power to the contacts 520 and from there to the controllers 526. The AC/DC converter 546 may be internal to the base 524 or external. In another embodiment, the power input is a USB port that connects to the CED to obtain DC power from the CED. The charging station provides this DC power to the electrical contacts 520 and from there to the controllers 526. In other embodiments, DC power may be provided as input to the charging station 510, where the DC power may be provided by an external AC/DC converter.

The electrical contacts 520 may include a spring coupling the contacts 520 to the base 524. The weight of the controller 526 pushes the adapter 516 down into the recess 530, pressing the electrical leads 522 on the adapter 516 against the electrical contacts 520. The spring pushes back up on the contacts 520, pushing them against the electrical leads 522 to ensure a complete electrical connection.

The charging station 510 may also include an indicator 548 that indicates a status of the charging station 510. In one embodiment, the indicator 548 includes two LED assemblies 550, 552 (see FIG. 16). The LED assemblies 550, 552 correspond with the first and second docking bays 512, 514,

14

respectively, so as to indicate the charging status of the hand-held controller 526 (or any other suitable accessory device) being charged in the respective docking bay. Each of the LED assemblies 550 and 552 includes at least two LEDs having different colors. By way of example, each of the LED assemblies 550 and 552 in one embodiment includes a red LED and a green LED. While the respective hand-held controller 526 is being charged, the red LED is emitted to indicate that the hand-held controller 526 (i.e., the battery inside the hand-held controller 526) is currently being charged. Further, when the respective hand-held controller 526 is finished charging, the green LED is emitted to indicate that the charging has been completed. In other embodiments, each of the LED assemblies 550, 552 may include different color LEDs and/or different number (e.g., three) of LEDs to indicate respective charging status.

In still other embodiments, each of the LED assemblies 550, 552 may include a single LED, and may be referred to as LEDs 550, 552. The first LED 550 illuminates with a first color, for example red, to indicate that the charging station 510 is currently charging an accessory device. The second LED 552 illuminates with a second color, for example green, to indicate that the charging station 510 is finished charging. The LEDs 550, 552 may be electrically coupled to a current detector 521 (see FIG. 22) which provides the signals to illuminate the LEDs. In one embodiment, the charging station 510 stops providing power to the controller 526 when the controller's internal battery is completely charged.

A block diagram of the charging station 510 is shown in FIG. 22, showing some of the above-described components of the charging station in schematic form. As can be seen in FIG. 22, the charging station (or charger base) 510 includes electrical contacts 520 that are adapted to be electrically coupled with the accessory device 526 via the adapter 516. This way, the charging station 510 is capable of supplying the power received from a power adapter or a power supply to the accessory device 526 (e.g., for charging).

In one embodiment, the charger base includes the AC/DC converter 546 for converting input AC power to DC power for charging the accessory device 526. In other embodiments, the charging station 510 may be provided with DC power via a mini-USB port, an external AC/DC converter, or any other suitable DC power supply. The charging station 510 may include a USB host used to provide DC power via mini-USB port.

In one embodiment, the charging station 510 includes a current detector 521 for detecting the amount of current being provided by the power supply to the accessory device 526 through the contacts 520. If sufficient current (e.g., a predetermined amount of current) is detected by the current detector 521, the corresponding LED (e.g., a red LED) is emitted to indicate that the accessory device 526 is being charged. Then, when the charging has been completed, less current is detected because the battery in the accessory device is already substantially fully charged. In this case, another LED (e.g., a green LED) is emitted to indicate that charging has been completed.

A circuit diagram of the charging station 510 is shown in FIGS. 23A and 23B. As can be seen in FIGS. 23A and 23B, each of the LED assemblies includes two LEDs (green LED LED2 and red LED LED1, or green LED LED4 and red LED LED3). As can also be seen in FIGS. 23A and 23B, the current detector 521 in one embodiment is implemented using a quad operational amplifier chip LM324. The current detector 521 controls light emission of LEDs LED1 and LED2 and/or the

US 8,143,848 B2

15

light emission of LEDs LED3 and LED4, depending on whether or not sufficient current for charging a respective accessory device is detected.

While the CED is described in the above embodiments as a video game console, and the accessory device is described as a video game controller for the video game console, the invention may be used for other CEDs and accessory devices, such as cell phones, wireless headsets, personal computers and related peripheral devices, and many other electronic devices. This list is meant to be illustrative only, and not limiting.

Also, while some of the embodiments are primarily described as a charging system for charging video game controllers, the present invention is not limited thereto. The charging system in various embodiments may be used or be modified to be used for charging any suitable hand-held electronics devices or accessories, such as, for example, hand-held video games, or hand-held audio or multimedia players such as MP3 players, without departing from the spirit or scope of the present invention.

It will be appreciated by those with ordinary skill in the art that the invention can be embodied in other specific forms without departing from the spirit or essential character thereof. The embodiments described above should be considered to be illustrative and not restrictive. The scope of the present invention is defined by the appended claims and their equivalents.

What is claimed is:

1. A video game controller charging system for charging a plurality of video game controllers using externally supplied power, the video game controller charging system comprising:

a base;

at least one structure on the base for providing physical support to the plurality of video game controllers while the plurality of video game controllers are being charged; and

a plurality of DC ports on the base, each of the DC ports configured to couple to and provide DC power to a power input port of a respective one of the plurality of video game controllers,

wherein the at least one structure on the base comprises a plurality of docking bays open in a first direction and configured to receive respective ones of the plurality of video game controllers from the first direction, and wherein the at least one structure on the base further comprises a plurality of pairs of opposite surfaces, each pair of surfaces defining a respective docking bay of the plurality of docking bays each of the DC ports being on the base between a respective one of the pairs of surfaces.

2. The video game controller charging system of claim 1, wherein the plurality of DC ports comprises a plurality of male mini-USB connectors.

3. The video game controller charging system of claim 1, further comprising:

a current detector electrically coupled to the plurality of DC ports; and

an indicator electrically coupled to the current detector, the indicator configured to indicate a charging status of the video game controller charging system.

4. The video game controller charging system of claim 3, wherein the indicator comprises at least one LED.

5. The video game controller charging system of claim 1, wherein the pairs of opposite surfaces are configured to align respective ones of the plurality of video game controllers such

16

that the power input ports of the respective ones of the plurality of video game controllers couple to respective ones of the plurality of DC ports.

6. The video game controller charging system of claim 5, wherein the pairs of opposite surfaces comprise spring-loaded locating buttons configured to align the respective ones of the plurality of video game controllers.

7. The video game controller charging system of claim 1, wherein the plurality of DC ports is configured to concurrently couple to and provide the DC power to the plurality of video game controllers.

8. The video game controller charging system of claim 1, further comprising an AC-to-DC converter adapted to convert the externally supplied power to the DC power provided to the power input ports of the respective video game controllers.

9. The video game controller charging system of claim 8, wherein the AC-to-DC converter is in the base.

10. The video game controller charging system of claim 8, wherein the AC-to-DC converter is external to the base.

11. The video game controller charging system of claim 8, wherein the AC-to-DC converter is adapted to convert an AC voltage in the range of 100 V to 240 V corresponding to the externally supplied power into a DC voltage corresponding to the DC power.

12. The video game controller charging system of claim 11, wherein the DC voltage is :DC 5 V.

13. A charging system for charging a plurality of video game controllers, each having a power input port, the charging system comprising:

a base;

a plurality of male mini-USB connectors supported by the base and each adapted to provide DC power to a respective one of the plurality of video game controllers;

at least one docking structure defining a plurality of docking bays open in a first direction and configured to receive from the first direction and align respective ones of the plurality of video game controllers to couple to respective ones of the plurality of male mini-USB connectors; and

a power input for connecting to a power supply, the power input electrically coupled to the plurality of male mini-USB connectors,

wherein the at least one docking structure comprises a plurality of pairs of substantially parallel opposite planar surfaces, each pair of surfaces defining a respective docking bay of the plurality of docking bays, each of the docking bays being open on opposite sides between the respective pair of surfaces.

14. The charging system of claim 13, wherein the charging system further comprises an AC-to-DC converter electrically coupled between the power input and the plurality of male mini-USB connectors.

15. The charging system of claim 13, wherein the charging system further comprises an AC-to-DC converter external to the base and electrically coupled to the power input.

16. The charging system of claim 13, further comprising: a current detector electrically coupled to the plurality of male mini-USB connectors; and

an indicator electrically coupled to the current detector, the indicator configured to indicate a charging status of the charging system.

17. The charging system of claim 16, wherein the indicator comprises at least one LED.

18. A charging system for charging at least one video game controller having a power input port, the charging system comprising:

US 8,143,848 B2

17

a base comprising at least one recess having at least one electrical contact, the base further comprising a power input for connection to a power supply, the power input being electrically coupled to the at least one electrical contact; and

at least one external adapter comprising a connector configured to couple to the power input port of the at least one video game controller, the at least one external adapter further comprising at least one electrical lead; wherein the at least one external adapter is removably attachable on the at least one video game controller and configured to remain attached on the at least one video game controller when the at least one video game controller is in use during operation of a video game, and wherein the base further comprises at least one structure defining at least one docking bay open in a first direction and configured to receive from the first direction the at least one video game controller having the at least one external adapter attached thereon such that the at least one electrical lead contacts the at least one electrical contact, the at least one structure comprising at least one pair of substantially parallel opposite planar surfaces defining the at least one docking bay, the at least one docking bay being open on opposite sides between the at least one pair of surfaces.

19. The charging system of claim 18, further comprising: a current detector electrically coupled to the at least one electrical contact of the at least one recess; and an indicator electrically coupled to the current detector, the indicator adapted to indicate a status of the charging system.

20. The charging system of claim 19, wherein the indicator comprises at least one LED.

21. The charging system of claim 18, wherein: the at least one external adapter further comprises an angled edge; and the at least one recess comprises an angled corner dimensioned to match the angled edge of the at least one external adapter and adapted to orient the at least one external adapter with respect to the at least one recess.

18

22. The charging system of claim 18, wherein: the at least one electrical contact of the at least one recess comprises four electrical contacts; and the at least one electrical lead of the at least one external adapter comprises four electrical leads.

23. The charging system of claim 18, wherein the connector of the at least one external adapter comprises a male mini-USB connector.

24. The charging system of claim 18, further comprising an AC/DC converter electrically coupled between the power input of the base and the at least one electrical contact of the at least one recess.

25. A video game controller charging system for charging a video game controller having a power input port, the video game controller charging system comprising: a base comprising a plurality of electrical contacts, the base further comprising a power input for connection to a power supply, the power input being electrically coupled to the plurality of electrical contacts; and an adapter comprising a connector configured to couple to the power input port of the video game controller, the adapter further comprising a plurality of electrical leads, wherein the adapter is removably attachable on the video game controller and configured to remain attached on the video game controller when the video game controller is in use during operation of a video game, and wherein the base further comprises a docking structure configured to receive the video game controller having the adapter attached thereon such that the plurality of electrical leads of the adapter contact the plurality of electrical contacts of the base.

26. The video game controller charging system of claim 25, wherein the plurality of electrical contacts comprises at least one spring biasing the plurality of electrical contacts toward the plurality of electrical leads.

27. The video game controller charging system of claim 25, wherein the connector comprises a male mini-USB connector.

* * * * *

UNITED STATES PATENT AND TRADEMARK OFFICE
CERTIFICATE OF CORRECTION

PATENT NO. : 8,143,848 B2
APPLICATION NO. : 12/044295
DATED : March 27, 2012
INVENTOR(S) : Amir Navid

Page 1 of 1

It is certified that error appears in the above-identified patent and that said Letters Patent is hereby corrected as shown below:

In the Claims

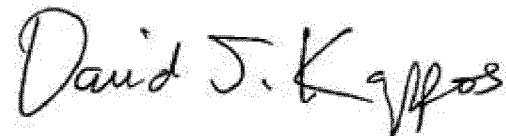
Column 15, Claim 1, line 50

Delete "hays"
Insert -- bays, and --

Column 16, Claim 12, line 26

Delete ":DC"
Insert -- DC --

Signed and Sealed this
Eighth Day of May, 2012



David J. Kappos
Director of the United States Patent and Trademark Office

1
2
3
4
5
6
7
8
9
10
11
12
13
14
15
16
17
18
19
20
21
22
23
24
25
26
27
28

CERTIFICATE OF SERVICE

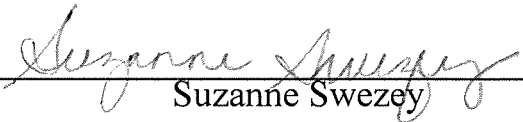
I certify that on December 14, 2012, pursuant to Federal Rules of Civil Procedure, a true and correct copy of the foregoing document described as AMENDED COMPLAINT FOR PATENT INFRINGEMENT was served on the parties in this action by electronic mail and by U.S. Postal Service, first class mail, addressed as follows:

Steven M. Hanle, Esq.
SHEPPARD MULLIN RICHTER &
HAMPTON LLP
650 Town Center Drive, 4th Floor
Costa Mesa, California 92626
shanle@sheppardmullin.com

Daniel N. Yannuzzi, Esq.
Graham M. Buccigross, Esq.
Matthew M. Mueller, Esq.
SHEPPARD MULLIN RICHTER &
HAMPTON LLP
12275 El Camino Real, Suite 200
San Diego, California 92130-2006
dyannuzzi@sheppardmullin.com
mmueller@sheppardmullin.com
gbuccigross@sheppardmullin.com

I declare that I am employed by a member of the bar of this Court, at whose direction this service was made.

Executed on December 14, 2012 at Glendale, California.


Suzanne Swezey

Name & Address: G. Warren Bleeker
CA Bar No. 210834; warren.bleeker@cph.com
CHRISTIE, PARKER & HALE, LLP
655 North Central Avenue, Suite 2300
Glendale, California 91203-1445
Phn: 626/795-9900; Fax: 626/577/8800

**UNITED STATES DISTRICT COURT
CENTRAL DISTRICT OF CALIFORNIA**

NYKO TECHNOLOGIES, INC., a California
corporation,

PLAINTIFF(S)

v.
ENERGIZER HOLDINGS, INC., a Missouri corporation,
EVEREADY BATTERY COMPANY, INC., a
Delaware corporation, and PERFORMANCE DESIGNED
PRODUCTS, LLC, a California limited liability company,
DEFENDANT(S).

CASE NUMBER
2:12-cv-03001-GAF (VBKx)

SUMMONS

TO: DEFENDANT(S):

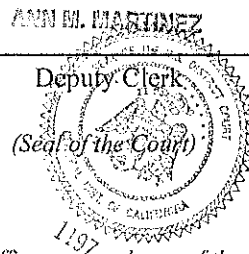
A lawsuit has been filed against you.

Within 21 days after service of this summons on you (not counting the day you received it), you must serve on the plaintiff an answer to the attached complaint amended complaint counterclaim cross-claim or a motion under Rule 12 of the Federal Rules of Civil Procedure. The answer or motion must be served on the plaintiff's attorney, G. Warren Bleeker, whose address is Christie, Parker & Hale, LLP, 655 N. Central Ave., Ste. 2300, Glendale, CA 91203-1445. If you fail to do so, judgment by default will be entered against you for the relief demanded in the complaint. You also must file your answer or motion with the court.

Clerk, U.S. District Court

Dated: DEC 14 2012

By: ANN M. MARTINEZ



[Use 60 days if the defendant is the United States or a United States agency, or is an officer or employee of the United States. Allowed 60 days by Rule 12(a)(3)].