

**IN THE UNITED STATES DISTRICT COURT
FOR THE EASTERN DISTRICT OF TEXAS
TYLER DIVISION**

GROUPCHATTER, LLC	§	
Plaintiff,	§	
	§	
v.	§	CIVIL ACTION NO. 6:15-cv-00863-JRG
	§	
SENSUS USA INC., et al.,	§	
Defendants.	§	

PLAINTIFF’S FIRST AMENDED COMPLAINT AND JURY DEMAND

Plaintiff GroupChatter, LLC files this First Amended Complaint against Defendant Itron, Inc. for infringement of: U.S. Patent Nos. 7,969,959; 8,199,740; 8,588,207; and 9,014,659.

THE PARTIES

1. Plaintiff GroupChatter, LLC (“GroupChatter”) is a Texas limited liability company with its headquarters and principal place of business at 1400 Preston Road, Suite 475, Plano, Texas 75093.

2. Defendant Itron, Inc. (“Itron”) is a Washington corporation with its principal place of business at 2111 North Molter Rd., Liberty Lake, WA 99019-9469. Itron may be served through its registered agent, National Registered Agents, Inc., 1999 Bryan St., Ste. 900, Dallas, TX 75201-3136. Itron has appeared and answered.

JURISDICTION AND VENUE

3. GroupChatter brings this action for patent infringement under the patent laws of the United States, namely 35 U.S.C. §§ 271, 281, and 284-285, among others. This Court has subject-matter jurisdiction pursuant to 28 U.S.C. §§ 1331, 1338(a), and 1367.

4. Venue is proper in this judicial district pursuant to 28 U.S.C. §§ 1391(c) and 1400(b). Defendant does business in this judicial district, has committed acts of infringement in

this judicial district, has purposely transacted business in this judicial district involving the accused products, and/or has regular and established places of business in this judicial district.

5. Defendant is subject to this Court's specific and general personal jurisdiction pursuant to due process and/or the Texas Long-Arm Statute, due at least to its substantial business in this State and judicial district, including: (a) at least part of its infringing activities alleged herein; and (b) regularly doing or soliciting business, engaging in other persistent conduct, and/or deriving substantial revenue from goods sold and services provided to Texas residents.

COUNT I
(INFRINGEMENT OF U.S. PATENT NO. 7,969,959)

6. GroupChatter incorporates paragraphs 1 through 5 herein by reference.

7. GroupChatter is the owner, by assignment, of U.S. Patent No. 7,969,959 (the "'959 Patent"), titled "METHOD AND APPARATUS FOR EFFICIENT AND DETERMINISTIC GROUP ALERTING."

8. A true and correct copy of the '959 Patent is attached as Exhibit A.

9. As the owner of the '959 Patent, GroupChatter holds all substantial rights in and under the '959 Patent, including the right to grant sublicenses, exclude others, and to enforce, sue, and recover damages for past and future infringement.

10. The United States Patent Office granted the '959 Patent on June 28, 2011.

11. The '959 Patent is valid, enforceable and was duly issued in full compliance with Title 35 of the United States Code.

12. Defendant has no consent or authorization to practice the '959 Patent.

13. Itron is practicing one or more claims of the '959 Patent, including at least claims 1, 2, 3, 4, 8, 10, 13, 14, 17, 18, 20, 21, 22, 29 and 30, by making, using, offering for sale, selling,

and/or importing components and systems for alerting groups of recipients over a wireless network.

14. Itron has directly infringed and continues to infringe the '959 Patent by practicing, without limitation, the methods of claims 1, 2, 3, 4, 8, 10, 13, 14, 17, 18, 20, 21, 22, 29 and 30 by deploying, testing, and operating a wide area Advanced Metering Infrastructure (AMI) network that enables remote configuration, operation, and monitoring of utility meters (the "OpenWay AMI System").

15. Itron indirectly infringes claims 1, 2, 3, 4, 8, 10, 13, 14, 17, 18, 20, 21, 22, 29 and 30 of the '959 Patent by contributing to the infringement of others by knowingly providing component parts of the OpenWay System for use and Itron indirectly infringes the asserted claims of the '959 Patent by contributing to the infringement of others by knowingly providing component parts of the OpenWay System for use and deployment together and having no substantial non-infringing use.

16. Itron knowingly induces others, namely Itron's customers such as gas, water, and electric utilities, to infringe the asserted claims by encouraging, aiding, and abetting the use, deployment, assembly, installation, and operation of the accused OpenWay System and components.

17. Itron has been aware of the GroupChatter Patents at least since the filing of this suit and has had specific knowledge of its infringing conduct. Despite having such knowledge, Itron continues to sell infringing OpenWay Systems and components and induce, deploy, encourage, aid, and abet others to directly infringe the asserted claims of the '959 Patent.

18. Itron's OpenWay AMI System is a blend of smart meters, software and communications infrastructure that combines individual features of an AMI system to deliver

business value to utilities.

19. The OpenWay AMI System consists of subsystems and components including ChoiceConnect, Itron Network Software, Itron Meter Data Management System, Field Collection System, collectors, repeaters, and endpoints.

20. The OpenWay AMI System operates with endpoints (e.g., electric meters) that have communication modules.

21. OpenWay AMI System endpoints are identified by device ID and/or network address.

22. A group of endpoints (called “application groups” in OpenWay) can be defined based on any criteria, such as grid topology (e.g., substation or feeder), demographics, or geographic identifiers such as zip code, billing cycle, etc.

23. The OpenWay AMI System relies on one or more wireless networks to communicate with the endpoints, where the wireless networks include power line communication (PLC) system components, mesh network components, cellular network components, repeaters, routers, collectors and other endpoints.

24. During operation of the OpenWay AMI System, Itron processes endpoint addresses, endpoint group addresses, outgoing communications, and incoming acknowledgment responses.

25. Actions may be performed on a set of grouped OpenWay AMI System endpoints.

26. In particular, Itron has stated that once an application group has been defined; a single message dispatched from back-office systems can target each member of the group in a single transmission, regardless of where the participating endpoints are located in the OpenWay system, or what communications technology is used by those endpoints.

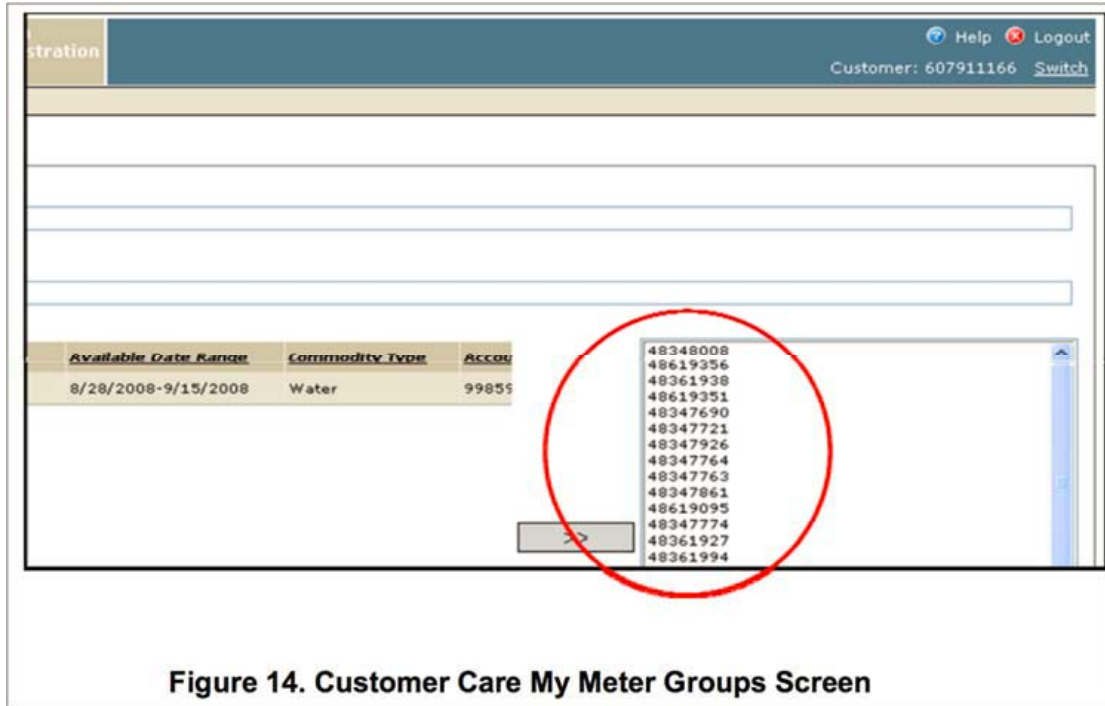


Figure 14. Customer Care My Meter Groups Screen

27. Figure 14 above is from the “Customer Care My Meter Groups” screen. It illustrates how to create customized groups of meters. A head-office user can select which endpoints to add to the group in order compare the groups and review tables.

28. Using this portion of the OpenWay system, it would be possible to group meters by neighborhood, by route, or by some other plan, i.e. “all the schools in the school district,” or “all the McDonalds in Zone 8.”

29. A single message dispatched from back-office systems can target each member of the group in a single transmission, regardless of where the participating endpoints are located in the OpenWay system, or what communications technology is used by those endpoints.

30. According to Itron, OpenWay also benefits from the ability to perform broadcast and multicast communications to meters, minimizing the amount of messages that require encryption and processing, as opposed to sending multiple messages point to point to meters.

31. The OpenWay system receives acknowledgment responses via the wireless

network from endpoint sharing the group address via its wireless networks: Acknowledgment and response messages are sent and received validating that commands have been transmitted.

The Oracle Utilities Smart Grid Gateway Adapter for Itron OpenWay supports a number of commands, including:

- Commission Device
- Decommission Device
- Device Status Check Multi-Device
- On-Demand Read
- Remote Connect
- Remote Disconnect

32. Itron describes benefits of being able to multicast group messages: Groups of meters may need to be addressed simultaneously using multicast, for example to enable software upgrade or parameters updates sent by a NMS to all meters using multicast requests, and multicast queries for meter readings of various subsets of the meters.

33. GroupChatter has been damaged as a result of Defendant's infringing conduct. Itron is liable to GroupChatter in an amount that adequately compensates it for Itron's infringement, which, by law, can be no less than a reasonable royalty, together with interest and costs as fixed by this Court under 35 U.S.C. § 284.

COUNT 2
(INFRINGEMENT OF U.S. PATENT NO. 8,199,740)

34. GroupChatter incorporates paragraphs 1 through 21 herein by reference.

35. GroupChatter is the owner, by assignment, of U.S. Patent No. 8,199,740 (the "'740 Patent"), titled "METHOD AND APPARATUS FOR EFFICIENT AND DETERMINISTIC GROUP ALERTING."

36. A true and correct copy of the '740 Patent is attached as Exhibit B.

37. As the owner of the '740 Patent, GroupChatter holds all substantial rights in and under the '740 Patent, including the right to grant sublicenses, exclude others, and to enforce, sue, and recover damages for past and future infringement.

38. The United States Patent Office granted the '740 Patent on June 12, 2012.

39. The '740 Patent is valid, enforceable and was duly issued in full compliance with Title 35 of the United States Code.

40. Itron is practicing one or more claims of the '740 Patent, including at least claims 1, 2, 3, 4, 5, 10, 11, 12, 13, 14, 15, 20, and 21, by making, using, offering for sale, selling, and/or importing components and systems for alerting groups of recipients over a wireless network.

41. Itron has directly infringed and continues to infringe the '740 Patent by practicing one or more claims of the '740 Patent, including at least claims 1, 2, 3, 4, 5, 10, 11, 12, 13, 14, 15, 20 and 21, by deploying, testing, and operating the OpenWay AMI System and its subsystems that provide a deterministic group messaging system through which Itron alerts groups of recipient endpoints over a wireless network.

42. Itron indirectly infringes claims 1, 2, 3, 4, 5, 10, 11, 12, 13, 14, 15, 20 and 21 of the '740 Patent by contributing to the infringement of others by knowingly providing component parts of the OpenWay System for use and Itron indirectly infringes the asserted claims of the '740 Patent by contributing to the infringement of others by knowingly providing component parts of the OpenWay System for use and deployment together and having no substantial non-infringing use.

43. Itron knowingly induces others, namely Itron's customers such as gas, water, and electric utilities, to infringe the asserted claims by encouraging, aiding, and abetting the use, deployment, assembly, installation, and operation of the accused OpenWay System and

components.

44. Itron has been aware of the GroupChatter Patents at least since the filing of this suit and has had specific knowledge of its infringing conduct. Despite having such knowledge, Itron continues to sell infringing OpenWay Systems and components and induce, deploy, encourage, aid, and abet others to directly infringe the asserted claims of the '740 Patent.

45. OpenWay AMI System endpoints are capable of transmitting and receiving data wirelessly.

46. Itron stores and processes endpoint and group addresses for multiple endpoints.

47. Itron provides endpoints with data by broadcasting outgoing communications to the endpoints and processes incoming acknowledgments when it operates the OpenWay AMI System and related subsystems.

48. The OpenWay AMI System and related subsystems are a deterministic group messaging system for providing acknowledged group messaging.

49. GroupChatter has been damaged as a result of Defendant's infringing conduct described in Count 2. Itron is liable to GroupChatter in an amount that adequately compensates it for their infringement, which amount, by law, can be no less than a reasonable royalty, together with interest and costs as fixed by this Court under 35 U.S.C. § 284.

**COUNT 3
(INFRINGEMENT OF U.S. PATENT NO. 8,588,207)**

50. GroupChatter incorporates paragraphs 1 through 34 herein by reference.

51. GroupChatter is the owner, by assignment, of U.S. Patent No. 8,588,207 (the "'207 Patent"), titled "METHOD AND APPARATUS FOR EFFICIENT AND DETERMINISTIC GROUP ALERTING."

52. A true and correct copy of the '207 Patent is attached as Exhibit C.

53. As the owner of the '207 Patent, GroupChatter holds all substantial rights in and under the '207 Patent, including the right to grant sublicenses, exclude others, and to enforce, sue, and recover damages for past and future infringement.

54. The United States Patent Office granted the '207 Patent on November 19, 2013.

55. The '207 Patent is valid, enforceable and was duly issued in full compliance with Title 35 of the United States Code.

56. Itron is practicing one or more claims of the '207 Patent, including at least claims 1, 2, 3, 8, 9 and 11, by making, using, offering for sale, selling, and/or importing the OpenWay AMI System and its subsystems that provide a deterministic group messaging system through which Itron alerts groups of recipients over a wireless network.

57. Itron has directly infringed and continues to infringe the '207 Patent by deploying, testing, and operating the OpenWay AMI System that provides acknowledged group messaging with endpoints (e.g., utility meters) in the OpenWay AMI System.

58. Itron indirectly infringes claims 1, 2, 3, 8, 9 and 11 of the '207 Patent by contributing to the infringement of others by knowingly providing component parts of the OpenWay System for use and Itron indirectly infringes the asserted claims of the '207 Patent by contributing to the infringement of others by knowingly providing component parts of the OpenWay System for use and deployment together and having no substantial non-infringing use.

59. Itron knowingly induces others, namely Itron's customers such as gas, water, and electric utilities, to infringe the asserted claims by encouraging, aiding, and abetting the use, deployment, assembly, installation, and operation of the accused OpenWay System and components.

60. Itron has been aware of the GroupChatter Patents at least since the filing of this

suit and has had specific knowledge of its infringing conduct. Despite having such knowledge, Itron continues to sell infringing OpenWay Systems and components and induce, deploy, encourage, aid, and abet others to directly infringe the asserted claims of the '207 Patent.

61. Itron processes endpoint and group identifiers, provides the endpoints with related data, wirelessly transmits outgoing communications to the endpoints, and processes incoming acknowledgments when it operates the OpenWay AMI System and related subsystems.

62. The OpenWay AMI System and related subsystems are a deterministic group messaging system and provide acknowledged group messaging.

63. GroupChatter has been damaged as a result of Defendant's infringing conduct described in Count 3. Itron is liable to GroupChatter in an amount that adequately compensates it for their infringement, which, by law, can be no less than a reasonable royalty, together with interest and costs as fixed by this Court under 35 U.S.C. § 284.

COUNT 4
(INFRINGEMENT OF U.S. PATENT NO. 9,014,659)

64. GroupChatter incorporates paragraphs 1 through 45 herein by reference.

65. GroupChatter is the owner, by assignment, of U.S. Patent No. 9,014,659 (the "'659 Patent"), titled "METHOD AND APPARATUS FOR EFFICIENT AND DETERMINISTIC GROUP ALERTING."

66. A true and correct copy of the '659 Patent is attached as Exhibit D.

67. As the owner of the '659 Patent, GroupChatter holds all substantial rights in and under the '659 Patent, including the right to grant sublicenses, exclude others, and to enforce, sue, and recover damages for past and future infringement.

68. The United States Patent Office granted the '659 Patent on April 21, 2015.

69. The '659 Patent is valid, enforceable and was duly issued in full compliance with

Title 35 of the United States Code.

70. Itron is practicing one or more claims of the '659 Patent, including at least claims 1, 2, 3, 4, 8, 10, 11, 12, 13 and 16, by making, using, offering for sale, selling, and/or importing the OpenWay AMI System and its subsystems that provide a deterministic group messaging system through which Itron alerts groups of recipients over a wireless network.

71. Itron has directly infringed and continues to infringe the '659 Patent by deploying, testing, and operating the OpenWay AMI System that provides acknowledged group messaging with endpoints in the OpenWay AMI System.

72. Itron indirectly infringes claims 1, 2, 3, 4, 8, 10, 11, 12, 13 and 16 of the '659 Patent by contributing to the infringement of others by knowingly providing component parts of the OpenWay System for use and Itron indirectly infringes the asserted claims of the '659 Patent by contributing to the infringement of others by knowingly providing component parts of the OpenWay System for use and deployment together and having no substantial non-infringing use.

73. Itron knowingly induces others, namely Itron's customers such as gas, water, and electric utilities, to infringe the asserted claims by encouraging, aiding, and abetting the use, deployment, assembly, installation, and operation of the accused OpenWay System and components.

74. Itron has been aware of the GroupChatter Patents at least since the filing of this suit and has had specific knowledge of its infringing conduct. Despite having such knowledge, Itron continues to sell infringing OpenWay Systems and components and induce, deploy, encourage, aid, and abet others to directly infringe the asserted claims of the '659 Patent.

75. In operation, the OpenWay AMI System provides acknowledged group messaging.

76. The OpenWay AMI System stores an identifier for a plurality of endpoints.

77. The OpenWay AMI System provides for grouping of endpoints and assignment of a group identifier to a group of endpoints.

78. The OpenWay AMI System wirelessly transmits data to endpoints.

79. The OpenWay AMI System processes incoming acknowledgments from endpoints within a group.

80. The OpenWay AMI System and related subsystems monitor for responses from endpoints to group message transmissions.

81. The OpenWay AMI System and related subsystems are a deterministic group messaging system for providing acknowledged group messaging.

82. GroupChatter has been damaged as a result of Itron's infringing conduct described in Count 4. Itron is liable to GroupChatter in an amount that adequately compensates it for their infringement, which compensation, by law, can be no less than a reasonable royalty, together with interest and costs as fixed by this Court under 35 U.S.C. § 284.

NOTICE

83. GroupChatter does not currently distribute, sell, offer for sale, or make products embodying the asserted GroupChatter Patents.

84. GroupChatter instructs its licensees to mark all licensed products sold, distributed, offered for sale, or made under license to the GroupChatter Patents and undertaken reasonable efforts as required to comply with the notice requirements of 35 U.S.C. § 287.

NOTICE OF REQUIREMENT OF LITIGATION HOLD

85. Itron is hereby notified it is legally obligated to locate, preserve, and maintain all records, notes, drawings, documents, data, communications, materials, electronic recordings, audio/video/photographic recordings, and digital files, including edited and unedited or "raw"

source material, and other information and tangible things that Itron knows, or reasonably should know, may be relevant to actual or potential claims, counterclaims, defenses, and/or damages by any party or potential party in this lawsuit, whether created or residing in hard copy form or in the form of electronically stored information (hereafter collectively referred to as “Potential Evidence”).

86. As used above, the phrase “electronically stored information” includes without limitation: computer files (and file fragments), e-mail (both sent and received, whether internally or externally), information concerning e-mail (including but not limited to logs of e-mail history and usage, header information, and deleted but recoverable e-mails), text files (including drafts, revisions, and active or deleted word processing documents), instant messages, audio recordings and files, video footage and files, audio files, photographic footage and files, spreadsheets, databases, calendars, telephone logs, contact manager information, internet usage files, and all other information created, received, or maintained on any and all electronic and/or digital forms, sources and media, including, without limitation, any and all hard disks, removable media, peripheral computer or electronic storage devices, laptop computers, mobile phones, personal data assistant devices, Blackberry devices, iPhones, video cameras and still cameras, and any and all other locations where electronic data is stored. These sources may also include any personal electronic, digital, and storage devices of any and all of Itron’s agents, resellers, or employees if Itron’s electronically stored information resides there.

87. Itron is hereby further notified and forewarned that any alteration, destruction, negligent loss, or unavailability, by act or omission, of any Potential Evidence may result in damages or a legal presumption by the Court and/or jury that the Potential Evidence is not favorable to Itron’s claims and/or defenses. To avoid such a result, Itron’s preservation duties

include, but are not limited to, the requirement that Itron immediately notify its agents and employees to halt and/or supervise the auto-delete functions of Itron's electronic systems and refrain from deleting Potential Evidence, either manually or through a policy of periodic deletion.

JURY DEMAND

GroupChatter hereby demands a trial by jury on all claims, issues and damages so triable.

PRAYER FOR RELIEF

GroupChatter prays for the following relief:

- a. That Itron be summoned to appear and answer;
- b. That the Court enter an order declaring that Itron has infringed the '959 Patent, the '740 Patent, the '207 Patent, and the '659 Patent.
- c. That the Court grant GroupChatter judgment against Itron for all actual, consequential, special, punitive, increased, and/or statutory damages, including, if necessary, an accounting of all damages; pre and post-judgment interest as allowed by law; and reasonable attorney's fees, costs, and expenses incurred in this action; and
- d. That GroupChatter be granted such other and further relief as the Court may deem just and proper under the circumstances.

Dated: May 3, 2016

Respectfully submitted,

TAYLOR DUNHAM AND RODRIGUEZ LLP

301 Congress Ave., Suite 1050

Austin, Texas 78701

512.473.2257 Telephone

512.478.4409 Facsimile

By: /s/ Cabrach J. Connor

Cabrach J. Connor

State Bar No. 24036390

Email: cconnor@taylordunham.com

David E. Dunham

State Bar No. 06227700

Email: ddunham@taylordunham.com

Jennifer Tatum Lee

Texas Bar No. 24046950

Email: jtatum@taylordunham.com

CERTIFICATE OF SERVICE

The undersigned hereby certifies that all counsel of record below who are deemed to have consented to electronic service are being served with a copy of this document via the Court's CM/ECF system per Local Rule CV-5(a)(3) this 3rd day of May, 2016.

Brian K. Erickson

Email: brian.erickson@dlapiper.com

John M. Guaragna

Email: john.guaragna@dlapiper.com

DLA PIPER LLP (US)

401 Congress Avenue

Suite 2500

Austin, TX 78701-3799

Telephone: (512) 457.7000

Facsimile: (512) 457.7001

ATTORNEYS FOR DEFENDANT ITRON, INC.

/s/ Cabrach J. Connor

Cabrach J. Connor

EXHIBIT A



(12) **United States Patent**
Dabbs, III et al.

(10) **Patent No.:** **US 7,969,959 B2**
(45) **Date of Patent:** **Jun. 28, 2011**

(54) **METHOD AND APPARATUS FOR EFFICIENT AND DETERMINISTIC GROUP ALERTING**

(75) Inventors: **James M. Dabbs, III**, Stockbridge, GA (US); **Brian Claise**, Alpharetta, GA (US)

(73) Assignee: **Critical Response Systems, Inc.**, Norcross, GA (US)

(*) Notice: Subject to any disclaimer, the term of this patent is extended or adjusted under 35 U.S.C. 154(b) by 1563 days.

(21) Appl. No.: **11/303,025**

(22) Filed: **Dec. 16, 2005**

(65) **Prior Publication Data**
US 2006/0187897 A1 Aug. 24, 2006

Related U.S. Application Data

(60) Provisional application No. 60/636,094, filed on Dec. 16, 2004.

(51) **Int. Cl.**
H04W 4/00 (2009.01)

(52) **U.S. Cl.** **370/349**; 455/519; 455/404.1; 455/410; 340/7.46; 340/539.1; 340/442; 340/445; 340/441; 370/390; 370/310; 709/206; 709/207

(58) **Field of Classification Search** 370/312, 370/349, 310, 390; 455/404.1, 410, 519; 340/7.46, 539.1, 442, 441, 445; 709/206, 709/207

See application file for complete search history.

(56) **References Cited**

U.S. PATENT DOCUMENTS

- 5,278,539 A 1/1994 Lauterbach et al.
- 5,835,860 A 11/1998 Diachina
- 6,304,649 B1 10/2001 Lauzon et al.

- 6,529,735 B1 3/2003 De Brito
- 6,710,702 B1 3/2004 Averbuch et al.
- 6,714,636 B1 3/2004 Baiyor et al.
- 6,804,332 B1 10/2004 Miner et al.
- 7,337,146 B2 * 2/2008 Heelan et al. 705/52
- 7,657,253 B2 * 2/2010 Lewis 455/412.2
- 7,808,378 B2 * 10/2010 Hayden 340/506

(Continued)

OTHER PUBLICATIONS

- M 1520, Product Brochure, Critical Response Systems™, Copyright 2005, 2 pages, www.critresp.com.
- M 1501, Product Brochure, Critical Response Systems™, Copyright 2005, 3 pages, www.critresp.com.
- “Mobile Data and Paging for First Responders”, Sparkgap™. Copyright 2004, 2 pages, www.tga.com.

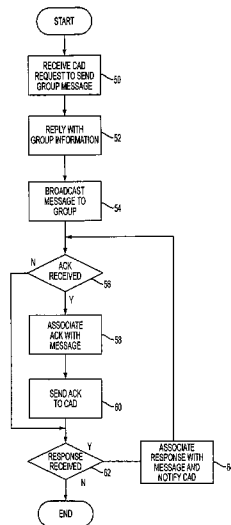
Primary Examiner — Pierre-Louis Desir

(74) *Attorney, Agent, or Firm* — Roylance, Abrams, Berdo & Goodman, LLP

(57) **ABSTRACT**

A system and method are provided for reliable, wireless group alerting in a system having a database, switch, wireless network, and a plurality of intelligent mobile receivers, and preferably employing a modified two-way paging based on ReFLEX™ protocol information service (IS) messages and a novel ALOHA command for multicast acknowledgement from mobile receivers. An encrypted message is broadcast to a group address and received by a selected number of the mobile receivers. The network replies to the sender with detailed information about the individual members in the alert group. Each of the mobile receivers in the group then acknowledges the common message back to the system, decrypts the message, displays it to the user, and allows the user to respond. The system employs centralized management to simplify the roles of the mobile users and administrators, minimizing configuration and operational human errors that would otherwise result in confusion or lost messages.

46 Claims, 7 Drawing Sheets



US 7,969,959 B2

Page 2

U.S. PATENT DOCUMENTS			
2001/0010490	A1*	8/2001	Bellin 340/7.46
2002/0177428	A1	11/2002	Menard et al.
2003/0153343	A1	8/2003	Crockett et al.
2004/0180654	A1	9/2004	Chen
2005/0157720	A1*	7/2005	Chandhok et al. 370/390
2005/0198183	A1*	9/2005	Zilliacus et al. 709/207
2006/0105740	A1*	5/2006	Puranik 455/410
2006/0178128	A1*	8/2006	Eaton et al. 455/404.1
2006/0273893	A1*	12/2006	Warner 340/531
2010/0146057	A1*	6/2010	Abu-Hakima et al. 709/206

* cited by examiner

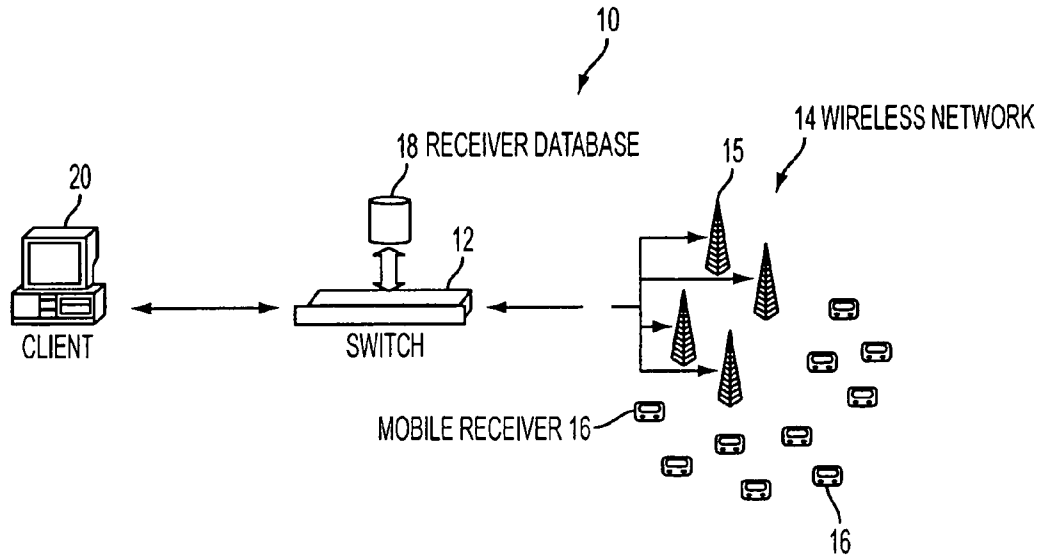


FIG. 1

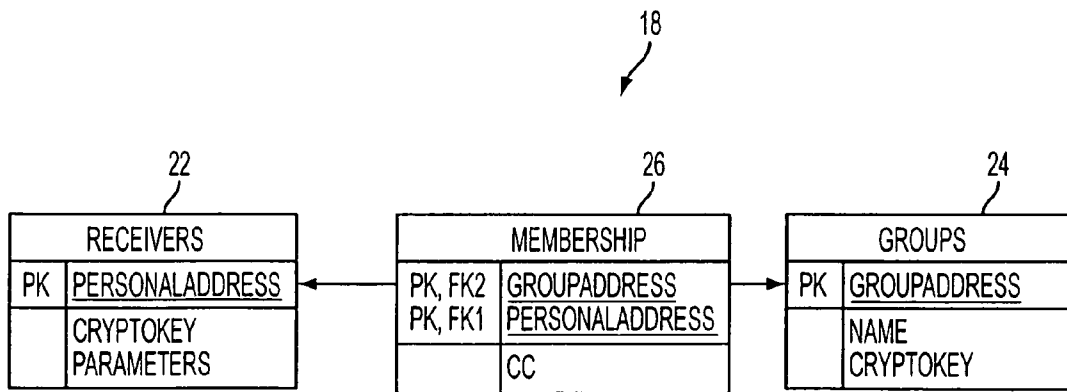


FIG. 2

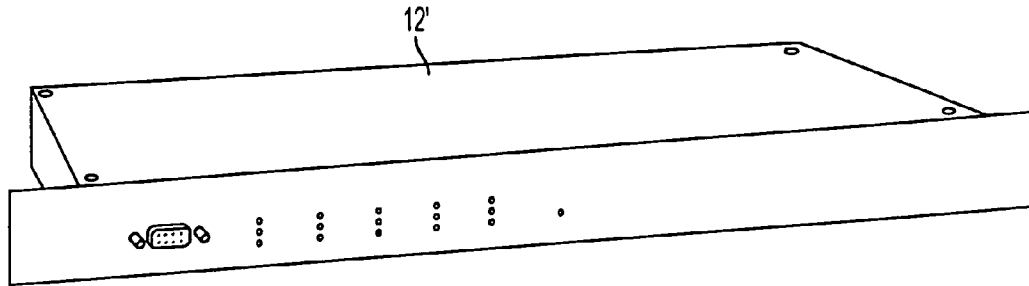


FIG. 3

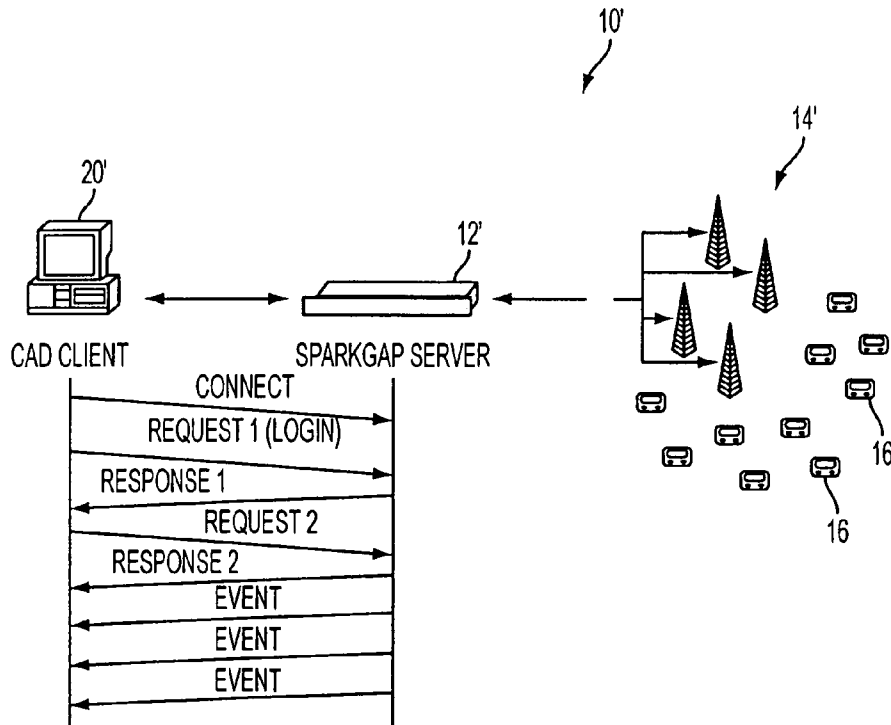


FIG. 4

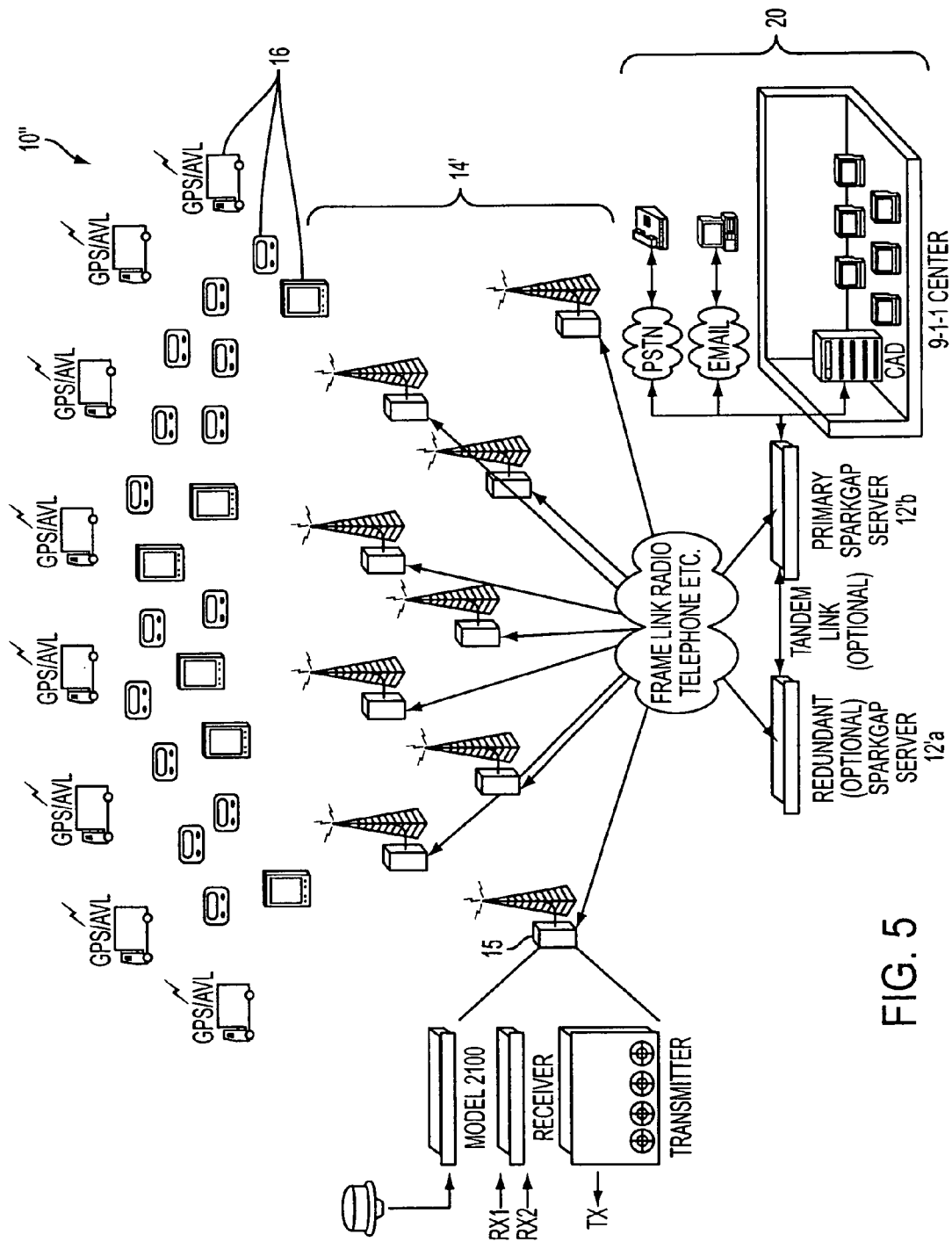


FIG. 5

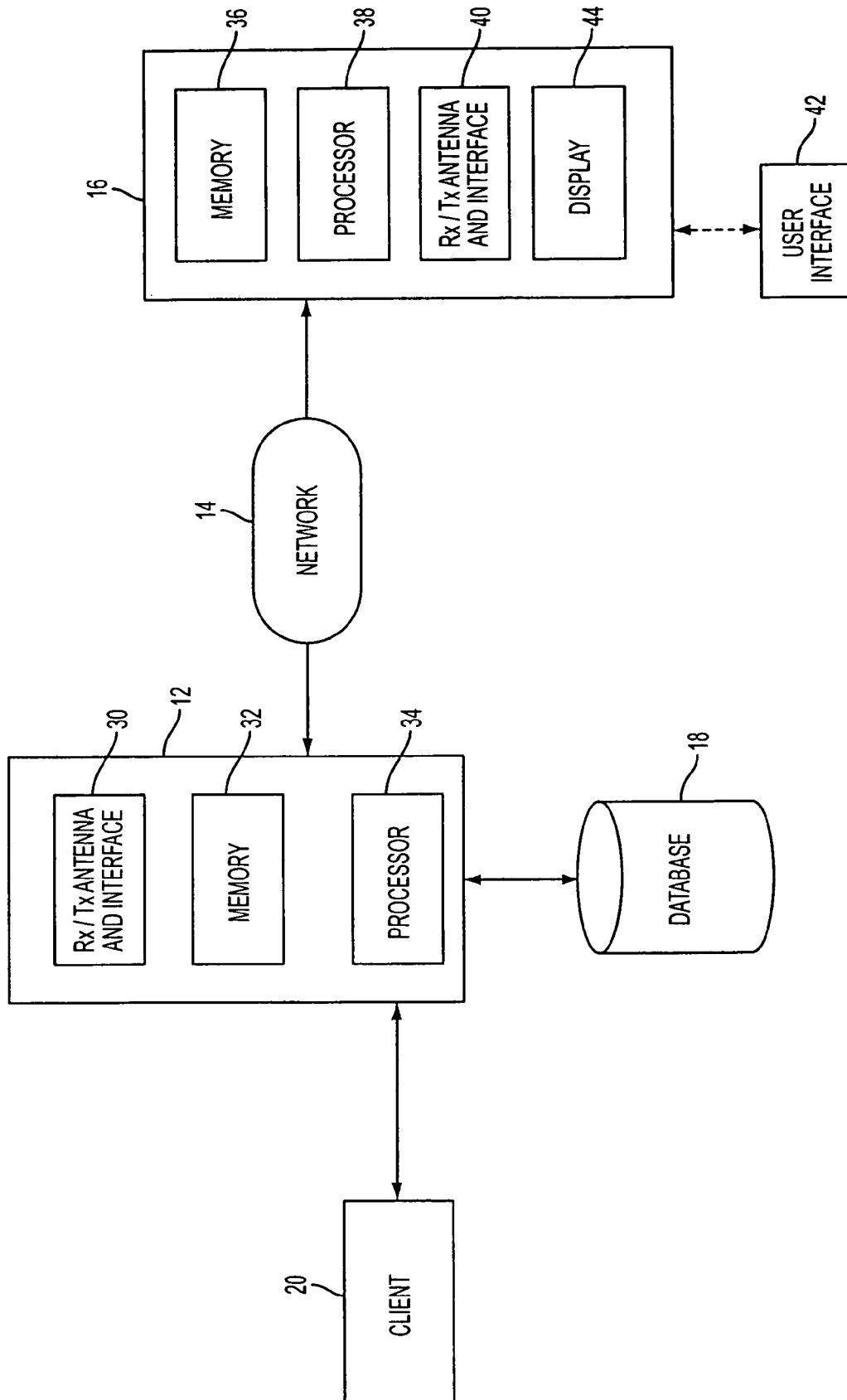


FIG. 6

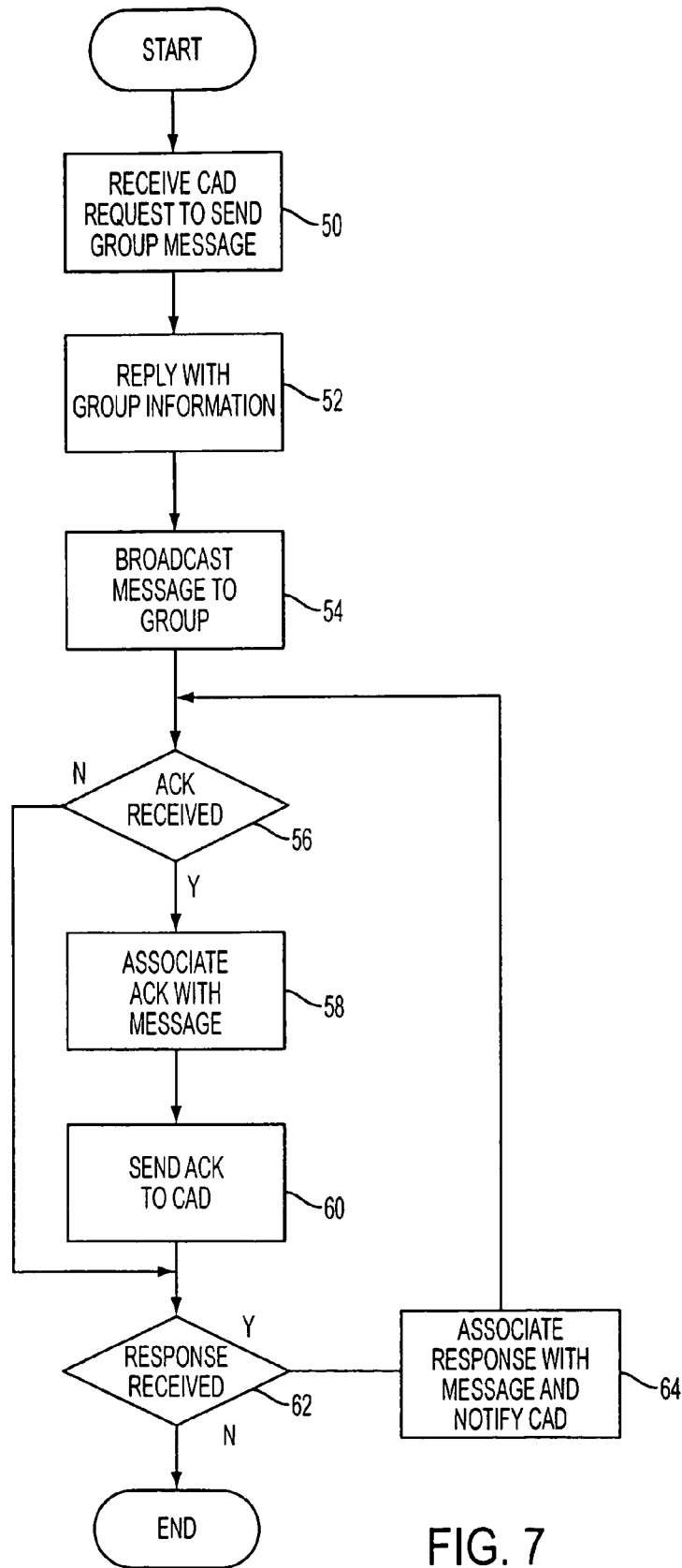


FIG. 7

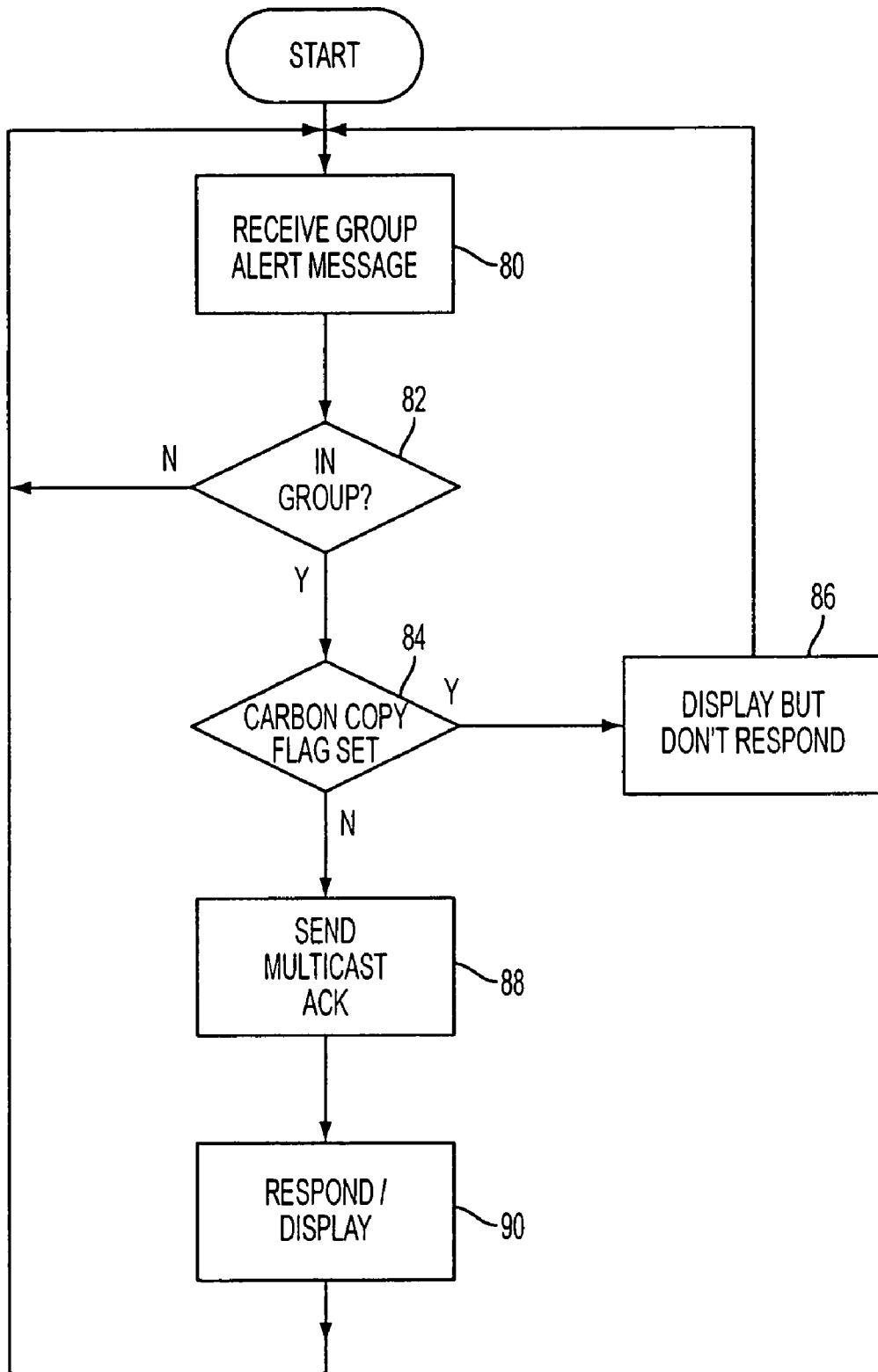


FIG. 8

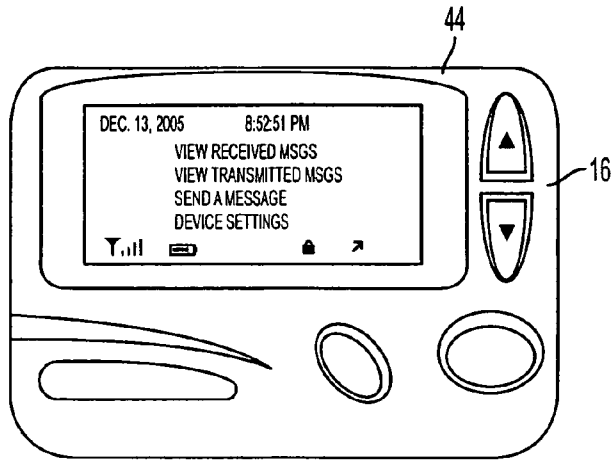


FIG. 9A

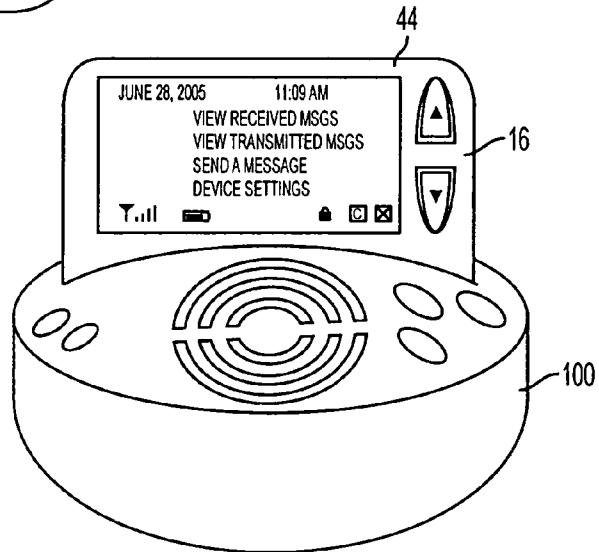


FIG. 9B

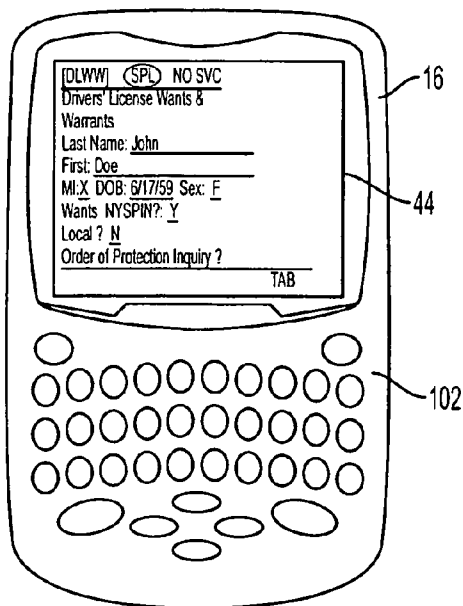


FIG. 10

US 7,969,959 B2

1

**METHOD AND APPARATUS FOR EFFICIENT
AND DETERMINISTIC GROUP ALERTING**

This application claims the benefit of U.S. provisional application Ser. No. 60/636,094, filed Dec. 16, 2004.

BACKGROUND OF THE INVENTION

The ability to alert and mobilize first responders is central to the readiness of any public safety agency. In the aftermath of recent major public safety events, including natural and man-made disasters, the public safety community has thoroughly examined all aspects of wireless interoperable voice communications. However, first responder alerting has remained largely unexamined for over a decade, and in communities relying on volunteer first responders, the critical importance of first responder alerting rivals that of interoperable voice communications.

Shortcomings with current alerting technologies are well documented in the public record. One analysis of communication failure during periods of profound crisis, the *Arlington County After-Action Report on the Response to the September 11 Terrorist attack on the Pentagon* available from Arlington County, Virginia, notes failures in all forms of communications, from initial alerting to tactical voice communication. As stated in this report, during the events of Sep. 11, 2001, radio channels became oversaturated, and interoperability problems among jurisdictions and agencies persisted throughout the entire response process. Otherwise compatible portable radios were preprogrammed in a manner that precluded interoperability. Cellular telephone systems and even the public switched telephone network (PSTN) became congested and unusable.

This report cited traditional, 1-way paging systems as the most reliable method of alerting and notification. However, the lack of a paging response channel left responders relying on other, less reliable forms of communication to escalate, reply to, or even confirm receipt of their instructions. These problems with cellular telephone networks and the PSTN limited the overall effectiveness of 1-way paging as an alerting system. This created serious operational challenges during the Sep. 11, 2001 series of events, and they will create similar problems in any such future events.

Even during day-to-day public safety activity, these alerting system limitations are problematic. In most cases, when volunteer groups are alerted by pager, incident commanders do not know who will actually respond until personnel begin to arrive on scene. This delay postpones decisions regarding escalation and mutual aid, letting critical time slip by before commanders can identify and correct problems with the response. This time period can define the success or failure of the response process, presenting a critical need for simple, inexpensive, pager-type devices that can reply to group messages.

However, public safety agencies still rely on 25-year old, 1-way paging technology as their core alerting solution. Many newer technologies are available, but for alerting, for a variety of reasons, these technologies do not provide a meaningful improvement over 1-way paging. Existing mobile data systems are too expensive and too bulky for continual personal use. Digital and analog 2-way voice systems are similarly impractical for widespread, continuous deployment to volunteer forces. Several contemporary PCS technologies have integrated voice, data, and paging, but their complete dependence on commercial networks runs counter to commonly accepted reliability standards (e.g., NFPA-1221). Private broadband solutions (such as IEEE 802.11 and 802.16)

2

provide high-capacity data capabilities, but they lack the coverage, portability, and resilience required for wide-area alerting of large volunteer forces. Contemporary 2-way paging systems perhaps come closest to meeting the alerting needs of public safety agencies. Like 1-way systems, these pagers are small, inexpensive devices that operate for long periods on battery power. However, these systems have no ability to acknowledge group messages.

More importantly, beyond the limitations described above, none of these systems provide a network interface sufficient to support acknowledged group messaging. Requiring that the message originator individually alert each recipient adds considerable setup delay when alerting large groups. This delay is eliminated when using network-supported call group or common address messages, but the message originator must have prior knowledge of group membership. If a message originator does not know the membership of the paged group, there is no context to know whether enough manpower is responding, or whether key individuals have been mobilized. Manually maintaining accurate group membership rosters between networks and message originators would be impractical since this is time consuming, difficult, and prone to errors. For a communications system to provide usable, acknowledged group alerting capabilities to public safety agencies, the network interface must provide group membership details when the group message is sent. Even if the mobile devices were capable of acknowledging group messages, current systems do not provide message originators this membership information regarding the alerted group. Simply guaranteeing that a message will be eventually delivered to all recipients is insufficient for public safety alerting applications. The message originator (dispatcher, incident commander, etc.) needs immediate feedback as to who has been alerted and how they have replied, as well as information concerning those who cannot be reached.

A need therefore exists for a 2-way paging system that could be improved with group message acknowledgement and a suitable system interface. Such a system would address the current shortcomings of public safety alerting systems, and could also provide other benefits. For instance, it could act as an improved personnel accountability system (PAS) for on-scene communications. Incident commanders could instantly notify responders of imminent threats, such as impending chemical release or structure failure, and verify receipt by all personnel. Responses could be expanded to include location information and health or equipment status information. Such systems, made practical because of the high performance and low cost of 2-way pagers, would both obviate traditional problems with interoperable on-scene communications and enable central oversight of critical real-time safety data.

While public safety's need for a system capable of acknowledged group alerting system is clear and well documented in the public record, no such system yet exists but for the present invention described herein.

SUMMARY OF THE INVENTION

The above-described deficiencies in the prior art are overcome and a number of advantages are realized by the present invention. In accordance with an aspect of the present invention, a method of efficient and deterministic alerting of a group of recipients over a wireless network is provided. Each recipient comprises a mobile device capable of transmitting and receiving data. The method comprises the steps of: storing for each recipient an assigned primary identifying address and one or more group addresses that are shared with selected

US 7,969,959 B2

3

ones of the other recipients; receiving a communication from a network client requesting wireless transmission of a message to recipients sharing a selected one of the group addresses; transmitting a communication to the network client comprising group information relating to the selected group addresses, the group information comprising at least one of the number of the recipients having the selected group address and the identifying addresses of the recipients having the selected group address; broadcasting the message to the selected group address via a wireless network; receiving acknowledgment responses from the recipients sharing the selected group address via the wireless network; and providing the acknowledgment responses to the network client.

In accordance with another aspect of the present invention, an apparatus for efficient- and deterministic alerting of a group of recipients over a wireless network is provided. Each recipient comprises a mobile device capable of transmitting and receiving data. The apparatus comprises: at least one of a memory device and an interface to an external memory device for storing for each recipient an assigned primary identifying address and one or more group addresses that are shared with selected ones of the other recipients; a network client interface for receiving a communication from a network client requesting wireless transmission of a message to recipients sharing a selected one of the group addresses; a wireless communication network interface for communicating with the recipients via a wireless communication network; and a processing device connected to the memory device, the network client interface and the wireless communication network interface, the processing device being programmed to transmit a communication to the network client comprising group information relating to the selected group addresses, the group information comprising at least one of the number of the recipients having the selected group address and the identifying addresses of the recipients having the selected group address, broadcast the message to the selected group address via the wireless communication network and the wireless communication network interface, receive acknowledgment responses from the recipients sharing the selected group address via the wireless communication network, and provide the acknowledgment responses to the network client.

In accordance with yet another aspect of the present invention, a mobile device for efficient and deterministic alerting of a group of recipients over a wireless network is provided. Each recipient comprises a mobile device capable of transmitting and receiving data. The mobile device comprises: a memory device for storing an assigned primary identifying address for its corresponding recipient and one or more group addresses that are shared with selected ones of the other recipients; a wireless communication network interface for communicating with a switch via a wireless communication network to receive messages therefore and to transmit responses to the switch; and a processing device connected to the memory device and the wireless communication network interface, the processing device being programmed to receive a message broadcast by the switch to a selected group address via the wireless communication network, to determine if it shares the selected group address, and to transmit an acknowledgment response to the switch via the wireless communication network if it shares the selected group address.

BRIEF DESCRIPTION OF THE DRAWINGS

The present invention can be further understood with reference to the following description and the appended drawings, wherein like elements are provided with the same reference numerals:

4

FIG. 1 is a diagram of a group alerting system constructed in accordance with an exemplary embodiment of the present invention;

FIG. 2 is a diagram of a database used in a group alerting system constructed in accordance with an exemplary embodiment of the present invention;

FIG. 3 is an isometric view of a switch or server used in a group alerting system constructed in accordance with an exemplary embodiment of the present invention;

FIG. 4 is a diagram of communication between a client and a server used in a group alerting system constructed in accordance with an exemplary embodiment of the present invention;

FIG. 5 is a diagram of a group alerting system constructed in accordance with an exemplary embodiment of the present invention;

FIG. 6 is a block diagram of a group alerting system constructed in accordance with an exemplary embodiment of the present invention;

FIG. 7 is a flow chart illustrating a sequence of operations for broadcasting a group message and group message acknowledgment in accordance with an exemplary embodiment of the present invention;

FIG. 8 is a flow chart illustrating a sequence of operations for receiving, acknowledging and processing group message at a mobile receiver in accordance with an exemplary embodiment of the present invention; and

FIGS. 9A, 9B and 10 are views of mobile receivers constructed in accordance with exemplary embodiments of the present invention.

DETAILED DESCRIPTION OF THE EXEMPLARY EMBODIMENTS

Overview

In accordance with the present invention, a system and method are provided for reliable, wireless group alerting in a system that comprises a database, switch, wireless network, and a plurality of intelligent mobile receivers, and employs a modified two-way paging protocol based on group messaging capability of the Motorola ReFLEX™ protocol and a novel ALOHA command for multicast acknowledgement (ACK) from mobile receivers. An encrypted message is broadcast to a group address. This message is received by a number of mobile receivers, each of which then acknowledges back to the system, decrypts the message, displays it to the user, and allows the user to respond, if they belong to the group address. The system employs centralized management to simplify the role of the mobile users and administrators, minimizing configuration and operational human errors that would otherwise result in confusion or lost messages. It also employs novel mechanisms to compress the responses from the receivers to use minimal airtime. The system is particularly relevant to public safety and critical infrastructure operators, where large group dispatches must be delivered quickly and deterministically to a heavily distracted mobile workforce, and their responses must be delivered to the dispatch center efficiently. As such, this system provides a comprehensive, meaningful solution to support distracted users with simple, resilient group messaging. It is to be understood that, while an exemplary embodiment is described herein that uses paging technology, the present invention can also be implemented using a cellular system, a wireless local area network or more specifically WiFi, or other wireless communication technology.

In accordance with an exemplary embodiment of the present invention, a system for group alerting employs a SPARKGAP™ network which utilizes a modified version of

US 7,969,959 B2

5

a protocol called ReFLEX™ developed by Motorola, Inc. for two-way paging and Narrowband PCS (NPCS). This system uses a 12.5 KHz channel pair operating in the 900 MHz band. It is to be understood, however, that the group messaging of the present invention can be implemented using other types of protocols and network devices.

In accordance with an aspect of the present invention, a SPARKGAP™ Dispatch Protocol (SDP) is provided as a streamlined means for a computer aided dispatch (CAD) system to communicate with two-way pagers on a SPARKGAP™ ReFLEX™ network. SPARKGAP™ is a ReFLEX™ network solution designed to control one or more base stations and provide two-way paging and mobile data coverage over an arbitrary geographical area. While this solution is similar in some ways to traditional one-way paging, two-way paging also differs significantly from its one-way counterpart. Two-way pagers acknowledge and reply to messages they receive, and they can originate their own messages. These additional capabilities outperform traditional paging input protocols (e.g., SNPP, TAP and TNPP). In addition, while more suitable second generation paging protocols exist (e.g., SMTP, SMPP, and WCTP), these newer protocols do not expose group membership information necessary for effective, acknowledged group messaging.

The SDP of the present invention is a transactional, TCP/IP protocol where the CAD system is the client and the SPARKGAP™ is the server. It features synchronous, client-initiated request/response transactions as well as asynchronous server-driven events, minimizing latency and complexity and delivering a rational solution to the public safety space.

A Dispatch/Response Layer (DRL) is also provided in accordance with the present invention as a layer above the ReFLEX™ Air Protocol to support group messaging. The SDP and DRL are analogized as book ends in that they operate on either side of the ReFLEX™ network.

ReFLEX™ supports personal and information service (IS) messages. Personal messages involve a single recipient, and ReFLEX™ enables the receiving pager to acknowledge reception, notify that the user has read the message, and relay multiple-choice responses from the user. IS messages involve an arbitrary group of recipients sharing common group addresses called IS addresses. ReFLEX™ pagers can be configured with one personal address and multiple IS addresses. IS messages are strictly one-way and ReFLEX™ does not support any response or acknowledgement from the recipient group. The present invention, however, adds message acknowledgement, message read notification, and multiple-choice response capability to IS messages, creating an infrastructure for reliable multicast messaging within the ReFLEX™ protocol. As described further below, the present invention implements two significant changes to conventional 2-way paging. First, it defines a new ALOHA command ('Multicast ACK Command') used by a pager to reply to an IS message. Second, it defines a flag to select which devices are allowed to use this feature.

System Description

A system 10 configured in accordance with an exemplary embodiment of the present invention is depicted in FIG. 1. With reference to FIG. 1, a central switching system (hereinafter referred to generally as 'Switch') 12 connects to a Wireless Network 14 and communicates with a number of subscriber devices (hereinafter referred to generally as 'Receivers') 16 such as pagers, cell phones, or wireless personal data assistants (PDAs), or portable computer running WiFi. Each Receiver is assigned one identifying Primary Address and one or more multiple Group Addresses, and is capable of receiving broadcast alert messages directed to any

6

of its addresses. The Switch 12 comprises a Receiver Database 18 comprising stored information describing receivers, their group membership, and connects to a Wireless Network 14 such as a PCS network employing cell broadcast, a paging network, or a broadcast-capable data network employing group addressing.

With reference to FIG. 2, the Receiver Database 18 comprises an independent table of Receivers 22 and an independent table of Groups 24. Each Receiver row in table 22 contains an identifying personal address, as well as other information specific to a single device 16 and its Wireless Network architecture. Each Group row in table 24 contains an identifying group address, an encryption key, and a symbolic name. A dependent table of Membership 26 provides the many-to-many relationship between Receiver and Group rows. Each Membership row assigns one receiver to one group. Membership rows contain GroupAddress and PersonalAddress columns, identifying a Group and Receiver row, respectively. Each Membership row also contains a ReceiverGroupNumber column, a small mnemonic value that uniquely identifies the Group from other Groups programmed into the same Receiver, and CC ('carbon copy') flag to define specific behavioral aspects of the Receiver. Receivers do not respond to messages received by group addresses if their CC flag is set, while they can respond to messages received by group addresses if their CC flag is clear. This mechanism allows users to monitor alerts to specific groups, without expectation by the source of the alerts for a response.

As administrative changes occur to the Receiver Database 18, configuration transactions are executed over the air with individual Receivers 16 to synchronize their configuration memory with the corresponding data in the Receiver Database 18. The system 10 therefore maintains an up-to-date image in the configuration memory of each Receiver 16, including a list of Group addresses, their ReceiverGroupNumber values, their symbolic names, encryption keys, and CC flags.

With reference to the flow charts in FIGS. 7 and 8, a 'Client' (e.g., a computer-aided dispatch center, a human user, or other network client 20) uses this system 10 to broadcast alert messages to groups of Receivers 16. To do so, the client 20 composes a message, preferably including display content and a list of response strings. The Client 20 then connects to the Switch 12 and requests transmission of the message to a particular group name (block 50). Depending on the architecture of the Wireless Network 14, either the Client 20 or the Wireless Network 14 assigns an identifying field to the message such that user responses can be associated with the correct message.

Upon receipt of the message, the Switch 12 responds to the Client 20 with detailed information on the group such as a list or a count of group members (block 52). It then encrypts the Group Message, assigns a cyclical message sequence number, and transmits the message to the Group Address (block 54). As described in more detail below in connection with the SPARKGAP™ dispatch protocol (SDP), the Switch 12 receives group message acknowledgment responses from the receivers 16 (block 56) that are associated with the broadcast group message (block 58) and provided to the Client 20 (block 60). Similarly, other types of responses generated as a result of the group message are associated with the broadcast group message (block 62) and provided to the Client 20 (block 64).

Upon receiving the Group Message (block 80), the Receivers 16 decrypt the message and display the content, group name, and multiple choice options to the user. Receivers employing paging technology that are not addressed in the

US 7,969,959 B2

7

group do not receive the message. Alternatively, a system 10 employing cellular broadcast of the message can receive but ignore the message if it is not in the addressed group (block 82). Each Receiver 16 with a CC flag of false transmits one or more acknowledgement codes through the Network 14 back to the Switch 12, specifying message received, message read notifications, and enumerated multiple-choice responses (block 84, 88 and 90). The datagram carrying the acknowledgement code also includes the personal address of the receiver 16, the ReceiverGroupNumber of the group address, and the message sequence number of the message, which together efficiently and uniquely identify the specific group message at the specific Receiver 16. Each Receiver 16 in the group with a CC flag of true does not transmit an acknowledgement reply to the Switch 12 but rather merely displays the group message (blocks 84 and 86).

Each receiver 16 provides a configuration display for the user. This display allows the user to specify, by group name, how notification should occur for messages received by each group address. Similarly, the Switch provides an administrative human interface that allows a system administrator to set up and maintain the Receivers 16 belonging to each Group.

An Exemplary Computer Aided Dispatch (CAD) System

The foregoing system description discusses the high-level organization and data flow of an exemplary group messaging system 10 that can use any of a variety of network types. With reference to FIGS. 3, 4 and 5, the following is a description of an exemplary type of network, that is, a ReFLEX™ two-way paging network that incorporates the new group messaging layer of the present invention. FIG. 3 is a SPARKGAP™ network controller 12' which is configured to implement group messaging in accordance with an exemplary embodiment of the present invention. FIG. 4 illustrates the use of a SPARKGAP™ network controller or server 12' in a system configuration 10' similar to FIG. 1. FIG. 5 illustrates another system configuration 10" in accordance with another exemplary embodiment of the present invention.

The SPARKGAP™ network controller or server 12' in FIG. 3 provides private two-way paging, mobile data, and wireless email over inexpensive channel pairs in the 900 MHz Enhanced Specialized Mobile Radio (ESMR) band or the Narrowband Personal Communication Services (N-PCS) band. Coverage can be configured for a single building, multiple counties, or state-wide service, for example, supporting small user devices such as pagers and personal data assistants (PDAs) with Motorola's proprietary ReFLEX™ protocol. Since the SPARKGAP™ server provides encrypted acknowledgement paging, responders reply immediately to CAD events and other messages directly from their pagers, and Advanced Encryption Standard (AES) encryption protects all transmissions. Since the SPARKGAP™ server 12' supports mobile applications, law enforcement officers can use PDAs as receivers 16 to connect wirelessly with municipal, state, and federal databases to run license checks, warrants, and other mobile applications. Further, the SPARKGAP™ server is useful for automatic vehicle location. Small, inexpensive GPS sending units can be used as receivers 16 to monitor vehicles and heavy equipment, sending real-time location and status information on a 24 hour per day, 7 day per week basis. The SPARKGAP™ server 12' can also support wireless e-mail. Users can send and receive secure, wireless email using pagers and PDAs.

The SPARKGAP™ server 12' can support one base station 15 or hundreds of base stations 15 in a network 14', each consisting of a standard 900 MHz paging transmitter and ReFLEX™ base receiver as shown in FIG. 5. A single station covers a 7-20 mile radius, and a network 14' can coordinate

8

multiple stations using simulcast or cellular arrangements to optimize coverage and capacity. A single channel pair can serve thousands of users, and multiple channels can be aggregated for additional capacity. Even under worst-case peak conditions, the ReFLEX™ protocol uses centralized arbitration to prevent contention and channel overloading.

In accordance with an exemplary embodiment of the present invention, the SPARKGAP™ server 12' maintains a full packet data layer on top of paging, which is one of the most robust and most reliable communication technologies available, and leverages this foundation into a balanced set of features, coverage, and capacity. The SPARKGAP™ server 12' connects directly to computer-aided dispatch (CAD) systems, provides low latency messaging with virtually unbreakable security, and operates with the lowest cost-per-user and cost-per-coverage-area of any wireless data solution available. For additional resilience, redundant hot standby units maintain network operation even under catastrophic circumstances, keeping first responders connected when they are needed most.

As stated previously, the SPARKGAP™ protocol and associated server 12' provide a ReFLEX™ network solution designed to control one or more base stations 15 and provide two-way paging and mobile data coverage with user devices 16 over an arbitrary geographical area. While this solution is similar in some ways to traditional one-way paging, two-way paging also differs significantly from its one-way counterpart. Two-way pagers acknowledge and reply to messages they receive, and they can originate their own messages. These additional capabilities outperform traditional paging input protocols (e.g., SNPP, TAP and TNPP). In addition, while more suitable second generation paging protocols exist (e.g., SMTP, SMPP, and WCTP), these newer protocols do not expose group membership information necessary for effective, acknowledged group messaging.

Client 20/Server 12 Protocol

In accordance with an aspect of the present invention, a SPARKGAP™ Dispatch Protocol (SDP) is provided as a streamlined means for a computer aided dispatch (CAD) system 20' to communicate with two-way pagers 16 in, for example, a SPARKGAP™ ReFLEX™ network 14'. It is to be understood, however, that the group messaging of the present invention can be implemented using other types of protocols and network devices. The SDP of the present invention is a transactional, TCP/IP protocol where the CAD system is the client 20' and the SPARKGAP™ network controller 12' is the server. It features synchronous, client-initiated request/response transactions, as well as asynchronous server-driven events, to minimize latency and complexity and deliver a rational solution to the afore-mentioned issues relating to public safety and rapid response and communication. With reference to FIG. 6, the server or switch 12 or 12' comprises a memory device 32 and processor 34, which can be programmed to implement the SDP, as well as an interface 30 to the network 14 or 14'.

With further reference to FIG. 4, when employing SDP, the CAD system or client 20' connects to the SPARKGAP™ server 12' using TCP/IP on port 55000. The CAD system or client 20' initiates transactions with the SPARKGAP™ server 12' using a synchronous request/response model, that is, the CAD system 10' sends the SPARKGAP™ server 12' a request from a client 20', the SPARKGAP™ server 12' takes an action, and then the SPARKGAP™ server 12' sends the CAD system client 20' a response. Additionally, in order to minimize latency in delivering responses from the pagers, the SPARKGAP™ server 12' also sends asynchronous event notification

US 7,969,959 B2

9

tions to the CAD system client 20' regarding message progress and responses from individual pagers.

The SDP will now be described in further detail. A description of protocol data units, transactions and events follows.

1. SDP Protocol Data Units

SDP requests, responses, and events are implemented as atomic protocol data units (PDUs) transmitted by the client 20 or 20' and server 12 or 12' using preferably a TCP/IP network. PDUs are serialized, and preferably always transmitted contiguously in their entirety. In other words, a node preferably never interrupts a partially transmitted PDU to begin another PDU. A PDU is preferably encoded using ASCII plain text, and consists of an identifying header followed by a collection of name/value attributes enclosed, as shown below, in curly brackets (braces).

1.1 Syntax

PDUs are preferably encoded using ASCII plain text according to the following specification:

Client-to-server transmission syntax:

"request"<request-number><request-type>{"attribute-list">{"}

Server-to-client transmission syntax:

"event"<event-type>{"attribute-list">{"}

"response"<request-number>{" attribute-list {"}

where,

<request-number>	::= <integer>
<request-type>	::= token
<event-type>	::= token
<attribute-list>	::= <attribute> [<attribute-list I
<attribute>	::= attribute-name "" attribute-value "";
<attribute-name>	::= token
<attribute-value>	::= <integer> <string>
<integer>	::= Base 10 Integer Expression
<string>	::= string enclosed in double quotes

An example PDU exchange is illustrated as follows:

CAD to SPARKGAP™	SPARKGAP™ to CAD
------------------	------------------

```

request 5066 SendMessage
{
  CadEventID="#CTYF041820772";
  MessageID="2004";
  DestinationID=Fire1;
  Display="Calling All Cars";
  AlertResponse=0;
  ReadResponse=1;
  MCR="On My Way";
  MCR="Busy";
  MCR="On Scene";
}
    
```

```

Response 5066
{
  ResultCode=0;
  ResultText="Message Queued";
};
Event PagerResponse
{
  Timestamp="07082004130553EST";
  MessageID="2004";
  CadEventID="#CTYF041820772";
  PagerID="229030020";
  PagerName="Doe, John";
  MessageRead=1;
}
    
```

1.2 Attribute Value Types

The SDP of the present invention preferably supports two attribute types, with string or integer values. Integer values

10

are simply unsigned integers with no more than 32 significant bits, described using base-10 notation. Strings are simply printable ASCII strings contained in double quotes, and supporting the following escape sequences:

\n	New Line
\r	Carriage Return
\"	Double Quote
\\	Backslash
\###	An octal value

1.3 The Timestamp Attribute

All events contain a timestamp attribute marking the creation of the event. A timestamp value contains a string in a specific format:

MMDDYYYYYHHMMSST

Where

MM	is the 2-digit month (1-12)
DD	is the 2-digit day of the month (1-31)
YYYY	is the 4-digit year
HH	is the 2 digit hour (0-23)
MM	is the 2 digit minute (0-59)
SS	is the 2 digit second (0-59)
T	is the 1-4 character time zone abbreviation

1.4 Attribute Order

In some cases, attribute order is significant. For illustrative purposes, receiving nodes are expected to read and decode attributes from first to last in the PDU.

2. Transactions

A transaction is exchanged on the network as a request from the client, some action by the server, and a response from the server. The SDP preferably includes three transactions described below:

- Login
- SendMessage
- QueryMessage
- 2.1 Login

The Login transaction establishes the identity of the CAD client 20 or 20' for purposes of reconnection. Should a TCP/IP connection be terminated, the SPARKGAP™ sever 12' will queue events awaiting a reconnection.

2.1.1 Request

The request PDU contains the following attributes:

User (string, mandatory): This value contains the name or identity of the CAD system client 20 or 20', which preferably must match an entry in a SPARKGAP™ CAD account database in the database 18.

Password (string, optional): This value contains the access password for the CAD system client 20 or 20'. If the CAD account is set up without a password, then this attribute is not required.

Version (integer, mandatory): This value specifies the protocol version that the CAD system client 20 or 20' is requesting for this session. The version is conveyed as the major number multiplied by 100 and added to the minor number. For illustrative purposes, this attribute value is 100.

2.1.2 Response

The response PDU contains the following attributes:

ResultCode (integer, mandatory): This value contains the result code of the transaction.

ResultText (string, optional): This value contains a human readable message string describing the result of the transaction.

5

10

15

20

25

30

35

40

45

50

55

60

65

US 7,969,959 B2

11

Version (integer, mandatory): This value specifies the protocol version that the SPARKGAP™ sever 12' is supporting for this session. The version is conveyed as the major number multiplied by 100 and added to the minor number. For illustrative purposes, this attribute value is 100.

System (string, optional): This value contains an identifying description of the SPARKGAP™-based system 10'.

2.1.3 Example

This example illustrates a CAD system client 20 or 20' logging into a SPARKGAP™ server 12' as user "ECD911," requesting version 1.0 of the protocol. The SPARKGAP™ server 12' grants the login and acknowledges version 1.0 support.

CAD to SPARKGAP™	SPARKGAP™ to CAD
<pre>request 5066 login { User="ECD911"; Password="GH1y778"; Version=100; }</pre>	<pre>Response 5066 { ResultCode=0; Version=100; ResultText="Connection Complete"; System="Sparkgap ESN 04000022"; }</pre>

2.2 SendMessage

The SendMessage transaction queues a message for delivery for one or more pager recipients 16. The transaction only queues the message for processing. As the message is processed and responses are received, a sequence of events will convey the results back to the CAD system 10'.

2.2.1 Request

The request PDU contains the following attributes

MessageID (string, mandatory): This value uniquely identifies the message from the client (CAD) 20 or 20' perspective. An identical MessageID attribute will be included in all subsequent events related to this message.

CadEventID (string, optional): This value uniquely identifies the precipitating CAD event. If present, an identical CadEventID attribute will be included in all subsequent events related to this message.

DestinationID (string, mandatory): This value specifies the target audience for the message. The DestinationID corresponds to the name of a group of pagers or an individual pager in the SPARKGAP™ database. The PDU may contain multiple DestinationID attributes, in which case the message will be directed to an aggregated group representing the net total of all recipients.

GroupDetail (integer, optional): This value conveys the client's desire to receive detailed information about group recipients in the transaction response. If this field is present and set to a non-zero value, then the response will include a PagerID and PagerName attribute for each constituent number of the group. If the GroupDetail attribute is not present or set to zero, then this information will not be included in the response.

Display (string, mandatory): This value contains the actual display message to be read by message recipients. Multiple Display attributes are arranged in the order they appear into a single unbroken message.

12

AlertResponse (integer, mandatory): If present and set to a non-zero value, this value instructs the SPARKGAP™ server 12' to notify the CAD client 20' as pagers 16 receive the message and alert their users.

5 ReadResponse (integer, optional): If present and set to a non-zero value, this value instructs the SPARKGAP™ server 12' to notify the CAD client 20' as users display the message on their pager.

MCR (string, optional): If present, MCR attributes specify "multiple-choice responses" to be presented to the user as reply options. Multiple MCR attributes may be included in the request. The first MCR encountered is number 0, the second is number 1, and so on. As users reply to the message, the SPARKGAP™ server 12' will relay appropriate PagerReply events to the CAD client 20'.

2.2.2 Response

The response PDU contains the following attributes:

ResultCode (Integer, mandatory): This value contains the result code of the transaction.

20 ResultText (string, optional): This value contains a human readable message string describing the result of the transaction.

GroupSize: This value specifies the total number or recipient members in the group.

25 PagerID (String, mandatory): This value contains the identification of one pager in the aggregate destination group. The presence of this attribute signifies that a corresponding PagerName attribute will follow. Together, these two fields are duplicated for each member of the total pager destination group.

30 PagerName (string, optional): The value contains the name of the pager user corresponding to the last PagerID value.

2.2.3 Example

This example illustrates a CAD system or client 20' sending the message "Calling all cars" to two dispatch groups, Fire1 and Fire34. The CAD system client 20 requests notification from each pager 16 when the users read the messages, but not when the pagers alert. The request includes a CadEventID and a MessageID so that the CAD system can properly categorize forthcoming events related to this message. The SPARKGAP™ server 12' queues the message and returns a successful result code in the response.

CAD to SPARKGAP™	SPARKGAP™ to CAD
<pre>request 5066 sendmessage { CadEventID="#CTYF041820772"; MessageID="2004"; DestinationID="Fire1"; DestinationID="Fire34"; GroupDetail=1; Display="Calling All Cars"; AlertResponse=0; ReadResponse=1; MCR="On My Way"; MCR="Busy"; MCR="Already On Scene"; }</pre>	<pre>Response 5066 { ResultCode=0; ResultText="Message Queued"; GroupSize=892; }</pre>

2.3 QueryMessage

The CAD client 20' initiates a QueryMessage transaction to discover present status of a previously sent message. The

US 7,969,959 B2

13

transaction response provides details about the message status as well as the status of all message recipients.

2.3.1 Request

MessageID (string, mandatory): This value identifies the message to be queried. It preferably must match the MessageID attribute of the SendMessage request that created the message.

2.3.2 Response

The response includes a message status, and a number of member status values in the form of an attribute group, PagerID, PagerName, PagerStatus. These three attributes may appear multiple times in the response to convey the status of multiple pagers in the message's aggregate destination group.

ResultCode (integer, mandatory): This value contains the result code of the transaction. If this value is not zero, then the MessageStatus, PagerID, PagerName, and PagerStatus fields will not be present.

ResultText (string, optional): This value contains a human readable message string describing the result of the transaction.

MessageStatus (integer, mandatory): This value contains the present status of the message, as described in the table below.

PagerID (string, mandatory): This value contains the identification of one pager in the aggregate destination group. The presence of this attribute represents that a corresponding PagerName attribute may follow, and that a PagerStatus attribute will follow. Together, these two or three fields are duplicated for each member of the pager group total pager destination group.

PagerName (string, optional): This value contains the name of the pager user corresponding to the last PagerID value.

PagerStatus (string, mandatory): This value contains the status of the pager user corresponding to the most recent PagerID value in the PDU. PagerStatus values are enumerated in the table below.

PagerStatus and MessageStatus value enumerations are described below:

PagerStatus Values	
Value	Description
"Pending"	The message is pending for transmission.
"Sent"	The message has been sent to the device but not yet acknowledged in any way.
"Received"	The message has been successfully received by the device.
"Read"	The message has been read by the user.
"Answered"	The user has answered the message

MessageStatus Values	
Meaning	Description
"Pending"	The message is pending for transmission.
"Sent"	The message has been transmitted and is open for replies.
"Closed"	The message is closed.

2.3.3 Example

This example illustrates a CAD system client 20', querying for the message 2004. The SPARKGAP™ server 12' returns

14

a MessageStatus of "Sent" to indicate that the message has been sent, and it returns individual deliver status codes on the four members of the group.

```

5  _____
6  | CAD to SPARKGAP™ | SPARKGAP™ to CAD |
7  |_____          |_____          |
8  | request 5067 sendmessage |
9  | {                         |
10 |   MessageID="2004";       |
11 | }                         |
12 |_____                  |_____          |
13 |                                                                    |
14 |                                                                    |
15 |                                                                    |
16 |                                                                    |
17 |                                                                    |
18 |                                                                    |
19 |                                                                    |
20 |                                                                    |
21 |                                                                    |
22 |                                                                    |
23 |                                                                    |
24 |                                                                    |
25 |_____                  |_____          |
26 |                                                                    |
27 |                                                                    |
28 |                                                                    |
29 |                                                                    |
30 |                                                                    |
31 |                                                                    |
32 |                                                                    |
33 |                                                                    |
34 |                                                                    |
35 |                                                                    |
36 |                                                                    |
37 |                                                                    |
38 |                                                                    |
39 |                                                                    |
40 |                                                                    |
41 |                                                                    |
42 |                                                                    |
43 |                                                                    |
44 |                                                                    |
45 |                                                                    |
46 |                                                                    |
47 |                                                                    |
48 |                                                                    |
49 |                                                                    |
50 |                                                                    |
51 |                                                                    |
52 |                                                                    |
53 |                                                                    |
54 |                                                                    |
55 |_____                  |_____          |
56 |                                                                    |
57 |                                                                    |
58 |                                                                    |
59 |                                                                    |
60 |                                                                    |
61 |                                                                    |
62 |                                                                    |
63 |                                                                    |
64 |                                                                    |
65 |_____                  |_____          |

```

3 Events

SDP allows the SPARKGAP™ server 12' to send asynchronous events to the CAD system client 20' to notify it of message activity on the network. SDP includes two events:

- PagerReply
- MessageComplete

3.1 PagerReply

This event informs the CAD system client 20' that a recipient pager 16 has responded in some way to a message. The event contains the following attributes

Timestamp (string, mandatory): This value specifies the time that the SPARKGAP™ server 12' received the information from the pager.

MessageID (string, mandatory): This value identifies the message, matching the MessageID attribute value of the SendMessage request that created the message.

CadEventID (string, mandatory): This field is preferably only present if a CadEventID attribute existed in the SendMessage request that created the message. If it is present, it matches the value in the SendMessage request.

PagerID (string, mandatory): This value contains the identification of the pager issuing the reply.

PagerName (string, optional): This value contains a descriptive name of the pager user.

UserAlerted (integer, optional): If this attribute is present and its value is non-zero, it means that the message was successfully received by the pager 16 and the user was alerted.

MessageRead (integer, optional): If this attribute is present, it means that the user displayed the message on the pager 16.

McrValue (integer, optional): If this attribute is present, the user selected a multiple-choice reply value indicated by the value.

McrText (string, optional): If this attribute is present, it contains the actual text of the selected multiple-choice reply.

MessageText (string, optional): If this attribute is present, it contains a manually typed response from the pager.

The PDU preferably will not aggregate events, but rather it will contain either UserAlerted, MessageRead, McrValue

US 7,969,959 B2

15

(and McrText), or MessageText. It preferably will not contain a combination of these fields. Each distinct pager response will arrive in its own event PDU with its own timestamp value.

In the following example, Pager 229030020 (John Doe) has responded to message 2004 with multiple-choice response number 2.

CAD to SPARKGAP™	SPARKGAP™ to CAD
	<pre> Event PagerResponse { Timestamp="07082004130553EST"; MessageID="2004"; CadEventID="#CTYF041820772"; PagerID="229030020"; PagerName="Doe, John"; UserAlerted=1; MessageRead=1; McrValue=2; McrText="Already On Scene"; } </pre>

3.2 MessageComplete

This event informs the CAD system client that a message has transitioned to the closed state. The message record will remain in memory for some time, but the system will no longer accept pager responses for it. This event contains the following attributes:

Timestamp (string, mandatory): This value specifies the time that the SPARKGAP™ closed the message.

MessageID (string, mandatory): This value identifies the message, matching the MessageID attribute of the SendMessage request that created the

CadEventID (string, mandatory): This value is only present if a CadEventID attribute existed in the original SendMessage request that created the message, and if it is present, it matches the value in the SendMessage request.

In this example, SPARKGAP™ announces that Message 2004 is closed:

CAD to SPARKGAP™	SPARKGAP™ to CAD
	<pre> Event MessageComplete { Timestamp="07082004130553EST"; MessageID="2004"; CadEventID="#CTYF041820772"; } </pre>

Result Codes

SDP supports the following result codes:

0	Transaction Completed Successfully
1000	Badly formed PDU
1001	Unknown recognized Request
2000	Invalid User/Password
3000	Message Queue Full - Try Again Later
3001	Unknown MessageID
3002	Unknown DestinationID
3003	Missing Required Attribute

Server or Switch 12/Mobile Receiver 16 Protocol

A Dispatch/Response Layer will now be described which is a layer above the ReFLEX™ Air Protocol that supports group messaging between a client and a mobile

16

device in accordance with the present invention. The SDP and DRL are analogized as book ends in that they operate on either side of a ReFLEX network.

1. Introduction

The present invention preferably provides for acknowledged group messaging support for the ReFLEX™ protocol. The ReFLEX™ protocol supports personal and information service (IS) messages. Personal messages involve a single recipient, and ReFLEX™ enables the receiving pager to acknowledge reception, notify that the user has read the message, and relay multiple-choice responses from the user. IS messages involve an arbitrary group of recipients sharing common group addresses called an IS addresses. ReFLEX pagers can be configured with one personal address and multiple IS addresses. IS messages are strictly one-way, and ReFLEX™ does not support any response or acknowledgment from the recipient group.

The present invention adds message acknowledgement, message read notification, and multiple-choice response capability to IS messages, creating an infrastructure for reliable multicast messaging within the ReFLEX™ protocol. To this end, the present invention defines a new ALOHA command (Multicast ACK Command), and defines a flag in the 'Change Registration Command' to select which devices are allowed to use this feature.

The Dispatch/Response Layer (DRL) provides efficient and high-performance group and personal messaging over a ReFLEX™ network between the server and the user devices or receivers. DRL uses binary IS vectors and multicast ACK commands to deliver dispatch messages to groups of users and receive individual responses. It also provides a simple structure for personal messaging between individuals, and it is designed to operate over the Secure Paging Layer (SPL). SPL is an obvious, open-source encryption standard based on AES. This system, however, can be implemented with other encryption methods.

2. Overview

DRL supports both group and personal messages.

2.1 Group Messages

Group Messages are broadcast to a group of one or more pagers using ReFLEX™ IS addresses. A Group Message includes a specially-formatted ReFLEX™ binary message broadcast by the network to a group of pagers, and a number of ReFLEX™ Multicast ACK Command responses from the pagers back to the network. This type of message can contain a display message a supervisory command, or both.

2.2 Personal Message

Personal messages are sent between a single pager and the network using a ReFLEX™ personal address. A Personal Message includes a specially-formatted ReFLEX™ binary message sent from the network to a pager, or a ReFLEX™ long inbound message from the pager to the network. Additionally, pagers may transmit ReFLEX™ ACK Responses, Multiple-Choice Commands, and Transaction Control Commands in response to forward messages.

The present invention provides for acknowledged group messaging support for ReFLEX™ protocol. The Multicast ACK command is a new ALOHA command used by a pager to reply to an IS message. This command's MSN refers not to the device personal address, but instead to an IS address selected from the device codeplug with a 4-bit enumeration field. The 30-bit IS address itself is synchronized between the pager and its home switch or server, using means similar to those provided by the open ReFLEX Exchange Protocol (RXP) and the Motorola Generic Over-The-Air Programming Protocol (GOTAP).

US 7,969,959 B2

17

The ‘Multicast ACK Command’ contains a message sequence number (MSN), a 4-bit IS address identifier (ai) and a 7-bit reply identifier (mr). The IS address identifier specifies the IS address programmed into the pager, and MSN identifies the message being replied to, and the reply identified indicates the enumerated reply code.

The Multicast ACK Command reply identifier can specify responses pre-programmed in the pager (codes 0 through 63), responses embedded in the group message (codes 64 through 111), or supervisory messages, as follows:

124	Message received by pager
125	Message received by pager and read by user
126	Message received but could not be decoded
127	Message received with transmission errors

The network **14** responds to the ‘MulticastACK Command’ with a ‘Standard ACK’ (Motorola ReFLEX 2.7.3 Specification, Section 3.10.9.2). In order to control where this feature is available (and which devices may use it), bit d4 of the ‘Registration Grant’ type ‘Change Registration Command’ (3.1 0.8.1) is redefined from ‘reserved’ to RM. An RM value of zero restricts the pager from transmitting the ‘MulticastACK Command’. An RM value of one enables the pager to transmit the ‘MulticastACK Command.’

On a per-message basis, the RE and RD bits (alphanumeric and binary vectors, respectively) determine whether the Multicast ACK Command may be transmitted for any particular IS message. If RE is 1 (or RD=0), and RM=1 during the last ‘Registration Grant’ seen by a device **16**, then it may transmit ‘Multicast ACK Command’ packets related to the message. Application protocols (such as Motorola FLEXSuite, and higher-level protocols) will determine which specific ‘Multicast ACK Command’ are appropriate for the message.

2.3 Device **16** Capabilities And Behavior
2.3.1 Multicast ACK Command

DRL uses ReFLEX™ IS addresses for personal messaging. Compliant DRL Devices **16** preferably support the Multicast ACK Command described above, and they support an additional non-volatile configuration bit for each IS address in their codeplug. This flag is called the ‘CC’ or “carbon copy” flag, and it serves to disable Multicast ACK Command responses on the specified IS address. The device **16** preferably supports at least 16 IS addresses and 16 CC bits, which are automatically synchronized over the air using GOTAP or similar means.

2.3.2 Performance

DRL is designed to support public safety, law enforcement, and other applications where timely delivery of personal and group messages is paramount. DRL devices **16** preferably support ReFLEX™ protocol version 2.7.3 reduced latency operation, in which they will examine each frame for IS or personal messages.

2.3.3 User Interface

DRL messages follow the ‘e-mail’ model and can include a from-address, a to-address, a subject and a message body. DRL devices **16** include one or more IS addresses configured for DRL group messaging, including a CC flag (set through GOTAP) and a group name (such as ‘Ladder46’, ‘Hazmat’, or ‘BerkelyEMS’) maintained through DRL. Users can select alert options per IS address, using the symbolic name of the address to assist the user in organizing his in-box. Personal messages and group messages can appear in the same mailbox; group addresses preferably display the name of the group as the from address.

18

3. Message Structure

DRL preferably uses ReFLEX™ long binary messages adhering to the Motorola Route to Alternate Host (RAH) protocol as described in the Motorola FlexSuite™ of Enabling Protocols Specification Document. Preferably all DRL messages include a Message Header followed by Message Content.

3.1 Message Header

Headers can include the RAH SIF (0x11) and RAH Address ID (0x2d), followed by a DRL message type, as follows

DRL Message Header		
Field Name	Byte Length	Description
SIF	1	RAH SIF (0x11)
Address ID	1	RAH Address ID (0x2d)
Type	1	DRL Message Type

3.2 Message Content

Content type is identified by the Type field, as follows:

Type	Description
0	Ignore Message
1	Group Message
2	Personal Forward Message
3	Personal Reverse Message
4	Personal Response Message
5-255	Reserved

The message content consists of a sequence of octets following immediately after the Type field of the long message header.

4. Group Message

A Group Message preferably consists of a one-to-many broadcast message with recipient confirmation and reply options. Group alerts are transmitted as ReFLEX™ 1-Way binary IS messages with a DRL Type code of 1.

4.1 Forward Message

The group dispatch message initiates the group dispatch transaction, conveying a display message to a number of pagers. It is a DRL long message transmitted using a ReFLEX™ 1-way personal or IS address, and it contains a 1-byte Control field, and a Display field consisting of a number of null-terminated strings encoded according to the PACK7 format described in Appendix D of the Motorola FlexSuite™ of Enabling Protocols Specification Document.

Dispatch Message Content		
Field Name	Byte Length	Description
Control	1	Control Flags
Opcode	1	Execution opcode
Operand	Variable	Execution operand
Display	Variable	NULL-Terminated Display String List.

The Control field specifies how the pager **16** should respond. Opcode and Operand fields specify auxiliary action the device **16** should take in addition to or instead of displaying the message, and the Display field contains the actual display message.

US 7,969,959 B2

19

4.1.1 Control Field

The Control field provides guidance on how the pager 16 should respond to the message:

Control Flag Definitions		
Bit	Name	Description
0	AckReceipt	Acknowledge receipt of the message
1	AckRead	Acknowledge reading of the message
2	UseMcr	Provide the user a multiple choice response
3-7	Reserved	Reserved flags (set to zero)

An AckReceipt value of 1 instructs the pager 16 to generate a ReFLEX™ Multicast ACK when the message is received, and an AckRead value of 1 instructs the pager to generate a Multicast ACK when the message is read by the user. A UseMCR value of 1 instructs the pager provide a multiple-choice response list to the user, including responses programmed into the pager as well as responses embedded into the message itself.

4.1.2 Operand/Opcode Field

Opcode and Operand fields specify auxiliary action the device 16 should take in addition to (or instead of) displaying the message. The Opcode field is a one byte value divided into upper and lower 4-bit fields. The upper 4 bits specifies the octet length of Operand, and the lower 4 bits specifies the action to be taken. The lower 4 bits use the following enumerations:

O perand Values		
Opcode	Operation	Description
0	No Operation	Take no action
1	Assign Name	Assign Group Name to Address
2	Execute	Execute Alerting Sequence
3-15	Reserved	Reserved

4.1.2.1 Opcode '0'—No Operation

This opcode specifies no operation and should be ignored.

4.1.2.2 Opcode '1'—Assign Group Name to Address

This opcode instructs the receiver 16 to assign a symbolic group name to the IS address, which are contained as one character per byte in the next 0-15 bytes. An operand length of zero implies 'no name,' while a length of 1-15 bytes indicate a 1-15 character long name.

4.1.2.3 Opcode '2'—Execute Alerting Sequence

This opcode instructs the receiver to execute a pre-programmed, external alerting sequence, such as a generating a public address tone, closing a relay contact or performing a sequence of relay closures, or printing the message. The first operand byte specifies the sequence to execute, which defaults to zero if no operand data is present. Operand data bytes 1-15, if present, contain additional parameters specific to the sequence. Devices that do not support this feature should ignore this opcode.

4.1.3 Display Field

The Display field is one continuous Pack7 field containing a list of null-terminated strings. These strings include, in order, the message subject, the message body, and up to 16 optional multiple-choice response strings. The subject and body are displayed to the user, and the response strings are presented as a list.

20

4.2 Multicast ACK Command Response

Under certain circumstances, the device may respond to the message with one or more MulticastACK Commands. This behavior depends on 4 factors:

- 5 values of the RD bit in the message vector,
 - the Control field of the message,
 - the RM value of the last 'Registration Grant' seen by a device, and
 - the Multicast Ack Enabled flag of the IS address used
- 10 If RD=1 and RM=0, or Multicast Ack Enabled=0 then this command must not be used. Otherwise, the command should be sent under the following circumstances:

Upon Message Receipt

- 15 If AckReceipt of the Control field is 1, then the device 16 queues a Multicast ACK Command with mr=124 into its transmit queue when it receives a complete, error-free message.

Upon the User Viewing the Message

- 20 If AckRead of the Control field is 1, then the device 16 queues a Multicast ACK Command with mr=125 into its transmit queue when it receives a complete, error-free message.

Upon the User Selecting a Reply

- 25 If UseMcr of the Control field is 1, then the device 16 gives the user the option to select a reply string from an aggregated list including the replies programmed into the device and the replies embedded in the Display field. If the user selects a string, then the device 16 queues a Multicast ACK Command with mr=[0,111] into its transmit queue. Codes 0-63 are reserved for responses programmed in the pager, and codes 64-111 are reserved for any response strings in the Display field. The user may respond to the message multiple times.

35 Subsequent Multicast ACK Commands associated with the same message can be optimized, and some of them can be overlooked without loss of information. For instance, an mr of 125 or an mr in the [0,111] range implies that the message has been received and viewed. Depending on how fast the user reads and/or responds to a message, and depending on the ALOHA randomization interval of the system, the pager 16 may be able to skip transmission of Multicast ACK Response commands with mr values of 124 and 125 and simply transmit the multiple-choice reply code [0,111].

40 When possible, this is desirable in order to reduce congestion of the return channel.

5. Personal Message

A Personal Message is a human-readable message carried from one point to another. Personal Forward Messages are sent by the network 14' to one pager 16, and Personal Reverse Messages are sent by the pager 16 to the network 14'. The DRL model for Personal Messages is similar to an abbreviated version of SMTP.

5.1 Personal Forward Message

55 A Personal Forward Message is transmitted by the network 14' to the pager 16. It contains Display field consisting of a number of null-terminated strings in FlexSuite Pack7 format.

This message type can be delivered as a one-way or two-way long binary message to single pager 16, with acknowledgement, read response, and multiple-choice replies transmitted back using the ReFLEX™ signaling layer. Display contains an ordered list of strings: a from-address, a subject, a body, and an optional list of multiple-choice replies.

5.2 Personal Reverse Message

65 A Personal Reverse Message is transmitted by the pager 16 to the network 14'. It contains Display field consisting of a number of null-terminated strings in FlexSuite Pack7 format.

US 7,969,959 B2

21

This message is delivered as a ReFLEX™ long inbound binary message. Display contains an ordered list of strings: a to-address, a subject, and a body.

Exemplary Tactical Alerting System

ReFLEX pagers are not fixed on a single channel for service, but rather scan continuously for a better, stronger, or more appropriate signal to serve them. This background scanning facilitates the present invention since it is this ability that allows these devices to seek out the correct channel for temporary use at the scene of an event.

In accordance with an exemplary embodiment of the present invention, a pager 16 is provided as shown in FIGS. 6, 9A, 9B and 10. With reference to FIG. 6, the pager 16 comprises a processor 38 programmed to implement the DRL, among other operations, a memory 36 for storing, for example, group configuration information, a display 44 and an interface 40 to the network 14. The pager 16 can be connected directly to a user interface 42 for facilitating customization of the group configuration information, for example, to allow the pager 16 to respond differently to messages directed to different group addresses. As shown in FIGS. 9A and 9B, the pager 16 has a display for displaying different screens and different options thereon. For example, the main screen shown on the display 44 in FIG. 9A indicates time and date and a menu listing such options as "VIEW RECEIVED MSGS", "VIEW TRANSMITTED MSGS", "SEND A MESSAGE" and "SERVICE SETTINGS". As shown in FIG. 9B, the pager 16 can be provided with a charger console 100 which can also have an input to the user interface 42. As shown in FIG. 10, the pager 16 can be provided with a QWERTY keypad 102, among other buttons and controls.

The pager 16 can be used by responding personnel on a day-to-day basis as a wide-area alerting device, but also as a tactical alerting device at the scene of an incident. The pager preferably operates on any programmed ReFLEX™2.7.x network. If an on-scene SPARKGAP™ (for instance, mounted into a mobile communications center) is operating with its own base station and an RXP connection to the wide area system, the pager 16 can register with the on-scene SPARKGAP™ when the responder arrives. When the pager 16 arrives at the site of an event with an established on-scene network such as the switch 12' (e.g., the SPARKGAP™ server), the pager 16 automatically finds this system 10, switches to the proper channel, and registers. As long as that pager 16 is in the coverage area of the on-scene SPARKGAP™ server 12', it will be a part of the community of pagers 16 receiving messages from the command post for that particular occurrence. Once the on-scene network is shutdown, or the responder leaves the coverage area, the pager 16 will re-register on the wide-area system.

The on-scene SPARKGAP™, and pagers, can be pre-loaded with one or more IS addresses reserved for tactical alerting. Incident commanders can send messages to these IS addresses to notify users on-scene of impending tactical issues, such as imminent structural failure or impending chemical release. In addition to the ability to automatically find the channel being used at the scene of a major event, the pager 16 is also equipped with louder than normal (>85 dB at 30 cm) alerting tone and strong vibrator to ensure the user is aware of an incoming message. With appropriate configuration, tactical alert messages can be sent to specific groups of user, or to all users on scene. Additionally, AES encryption is available to prevent inappropriate interception of tactical alerts.

Because the on-scene system is connected by RXP to the wide-area network, pagers also continue to send and receive normal personal and group messages from the wide area

22

system. However, the pager can be configured with unique alert tones to allow personnel to recognize incoming tactical messages, and the on-scene SPARKGAP can even temporarily configure local devices so that they only alert the user when tactical messages are received.

Modern wide-area paging networks utilize the 900 MHz band of radio spectrum. Some of these channels are dedicated to the NPCS Radio Service (FCC Part 24) and others are found in Business and Industrial Radio Service (FCC Part 90) making them available to a wide range of system operators. The pager 16 uses frequencies in either or both of these channel segments based on programming within the paging device itself.

When a major public safety event occurs, it is normal for the involved agencies to establish a command post at or near the scene of the event. Many times this is a motor home-style vehicle equipped to resemble a control room with banks of computers, radios and a meeting area used for staff briefings. As a critical part of this command post, a SPARKGAP™ server 12' can be installed to control the ReFLEX™ paging devices 16 carried to the scene by various responders. Once this system 10' (FIG. 4) is activated, pagers 16 that are pre-programmed with the on-scene channels would lock onto the network at the scene and check in. A display of all registered paging devices could be used to monitor the presence of personnel as they arrive.

If it was necessary to call a general evacuation of the scene, this message would be sent via the server 12' and each device 16 would acknowledge receipt and reading of the message. Paging allows the message to be sent to multiple users at the same time. The site command personnel would have an instant view of those who did not respond to the alert and could take immediate alternative action to get the message to them.

In this way, paging is analogous to an electronic equivalent of a lifeline attached to each person at the scene. Notifying them to evacuate by sending an alert message would be like pulling on that line and getting a tug as a response. The structure of a paging network provides the highest efficiency when it comes to alerting multiple users to an important message. And more importantly, the system 10 or 10' of the present invention gives the incident commander a confirmed indication that the message was received and read by the personnel to whom it was sent.

It will be appreciated by those skilled in the art that the present invention can be embodied in other specific forms without departing from the spirit or essential characteristics thereof. The presently disclosed embodiments are therefore considered in all respects to be illustrative and not restricted. The scope of the invention is indicated by the appended claims rather than the foregoing description and all changes that come within the meaning and range and equivalence thereof are intended to be embraced therein.

What is claimed is:

1. A method of alerting a group of recipients over a wireless network, each recipient comprising a mobile device capable of transmitting and receiving data, the method comprising the steps of:

storing for each recipient an assigned primary identifying address and one or more group addresses that are shared with selected ones of the other recipients;

receiving a communication from a network client requesting wireless transmission of a message to recipients sharing a selected one of the group addresses;

transmitting a communication to the network client comprising group information relating to the selected group address, the group information comprising at least one

US 7,969,959 B2

23

of the number of the recipients having the selected group address and the identifying addresses of the recipients having the selected group address;
 broadcasting the message to the selected group address via a wireless network;
 receiving acknowledgment responses from the recipients sharing the selected group address via the wireless network in response to the message, the acknowledgement responses each comprising recipient identifying information and at least one of an indication of successful receipt of the message and an indication that the message was read by the recipient that transmitted the corresponding acknowledgement response;
 providing the acknowledgment responses to the network client; and
 storing, for each recipient having the selected group address, the respective recipient identifying information for each recipient and a corresponding message alert status indicator indicating at least one of the message has been received by that recipient, and the message has been sent but not yet received by that recipient, depending on when that recipient transmitted its corresponding acknowledgement response;
 wherein message alert status for each of the recipients in the group corresponding to the selected group address is determined, including at least identifying which of the recipients received the message and which of the recipients have not yet received the message, using the stored message alert status indicator.

2. A method as claimed in claim 1, further comprising the step of customizing handling by a selected recipient of messages broadcast to different ones of the group addresses to which the selected recipient belongs.

3. A method as claimed in claim 1, wherein the message instructs at least one of the recipients to perform an action in addition to or instead of displaying message text to the user.

4. A method as claimed in claim 1, further comprising the step of displaying at least one of content of the message, group name corresponding to the selected group address and multiple choice options for responding to the message on a display operated by the recipient.

5. A method as claimed in claim 1, wherein the message indicates that the recipients are to perform at least one of a plurality of operations comprising sending acknowledgement that the group dispatch forward message was received, sending acknowledgement that the group dispatch forward message was read, and selecting from among a number of multiple choice response options.

6. A method as claimed in claim 1, wherein the message employs a group address and instructs the recipients to assign a symbolic group name to the group address.

7. A method as claimed in claim 1, wherein the message comprises a response request message, and further comprising the steps of:
 receiving responses from recipients having the selected group address; and
 notifying the network client as recipients perform at least one operation selected from the group consisting of receiving the message, alerting users of the received message, and displaying the message, as indicated in their responses to the response request message.

8. A method as claimed in claim 1, further comprising the step of the recipients providing status information in the responses to convey status of multiple recipients in the group corresponding to the selected group address to the network client.

24

9. A method as claimed in claim 8, wherein the status information comprises at least one of a timestamp for when the response was received from the recipient, confirmation that the message was displayed via the recipient, and confirmation that the response was one of multiple choices for responses provided to the recipient.

10. A method as claimed in claim 1, further comprising the steps of:
 receiving responses to the message from the recipients having the selected group address and determining which recipients have not yet received the message; and
 sending message progress notifications to the network client indicating how many of the recipients corresponding to the selected group address need to acknowledge receipt of the message.

11. A method as claimed in claim 1, wherein the message broadcast to the recipients corresponding to the selected group address comprises display content and a list of responses for a recipient to select from.

12. A method as claimed in claim 1, wherein the message broadcast to the recipients corresponding to the selected group address comprises options for responding for a recipient to select from.

13. A method as claimed in claim 1, wherein the message broadcast to the recipients corresponding to the selected group address comprises a message identifier, and further comprising the steps of:
 associating received responses from recipients having the selected group address with the message corresponding to the message identifier.

14. A method as claimed in claim 1, wherein the storing step comprises the steps of:
 storing at least one of a symbolic name and a corresponding encryption key for each of a number of group addresses; and
 replicating via wireless transactions the at least one of symbolic name and a corresponding encryption key in a memory device of the recipient for each of the group addresses to which a recipient belongs.

15. A method as claimed in claim 14, wherein the broadcasting step comprises the steps of generating and transmitting a one-way, ReFLEX protocol-formatted, one-to-many broadcast group alert message comprising an information service (IS) message, and further comprising the steps of:
 the recipients assigning the symbolic name of the selected group address to an IS address shared by the recipients; and
 displaying the symbolic name on respective displays of the recipients.

16. A method as claimed in claim 14, wherein the symbolic name is a small mnemonic value, and further comprising the steps of:
 receiving responses to the message from the recipients sharing the selected group address, the responses being compressed by the recipients using the small mnemonic value for the selected group address in the responses.

17. A method as claimed in claim 1, wherein the storing step further comprises the steps of:
 maintaining a database for storing data relating to the recipients, the groups and the memberships of recipients to various ones of the groups; and
 performing wireless configuration transactions to synchronize the memories of respective ones of the recipients with the database.

US 7,969,959 B2

25

18. A method as claimed in claim 17, wherein the performing step comprises the steps of:

replicating at least one of group membership configuration information and group encryption keys to the recipients; and

receiving confirmation responses from the recipients relating to updating of the at least one of group membership configuration information and group encryption keys in their respective memories.

19. A method of alerting a group of recipients over a wireless network, each recipient comprising a mobile device capable of transmitting and receiving data, the method comprising the steps of:

storing for each recipient an assigned primary identifying address and one or more group addresses that are shared with selected ones of the other recipients;

receiving a communication from a network client requesting wireless transmission of a message to recipients sharing a selected one of the group addresses;

transmitting a communication to the network client comprising group information relating to the selected group addresses, the group information comprising at least one of the number of the recipients having the selected group address and the identifying addresses of the recipients having the selected group address;

broadcasting the message to the selected group address via a wireless network;

receiving acknowledgment responses from the recipients sharing the selected group address via the wireless network in response to the message, the acknowledgement responses each comprising at least one of an indication of successful receipt of the message and an indication that the message was read by the recipient that transmitted the corresponding acknowledgement response; and providing the acknowledgement responses to the network client to determine message alert status for each of the recipients in the group corresponding to the selected group address including at least identifying which of the recipients received the message and which of the recipients have not yet received the message;

wherein the storing step further comprises the steps of maintaining a database for storing data relating to the recipients, the groups and the memberships of recipients to various ones of the groups; and

performing wireless configuration transactions to synchronize the memories of respective ones of the recipients with the database; and

wherein the database and the memories comprise carbon copy flags to define functional aspects for each of the recipients with respect to different groups, and further comprising the steps of

setting the carbon copy flags of selected ones of the recipients in a selected group to a first setting to allow them to respond to a message transmitted to the group address of the selected group; and

setting the carbon copy flags of the remaining ones of the recipients in the selected group to a second setting to prevent them from responding to a message transmitted to the group address of the selected group.

20. A method as claimed in claim 1, wherein the transmitting step comprises the step of immediately replying to the communication from the network client requesting wireless transmission of the message to the selected group address with the identifying addresses of the recipients having the selected group address.

26

21. A method as claimed in claim 1, wherein the step of broadcasting the message comprises the step of:

encrypting the message using an encryption key assigned to the selected group address and provided to the recipients sharing the selected group address.

22. A method as claimed in claim 1, wherein the step of broadcasting the message comprises the step of assigning a message sequence number to the message, and the step of receiving the acknowledgement responses from the recipients comprises the step of providing in at least one of the acknowledgment responses the primary identifying address of the corresponding one of the recipients and the message sequence number to uniquely identify a specific group message at the corresponding one of the recipients.

23. A method as claimed in claim 1, wherein the broadcasting step comprises the steps of generating and transmitting a one-way, ReFLEX protocol-formatted, one-to-many broadcast group alert message comprising an information service (IS) message.

24. A method as claimed in claim 23, wherein the group alert message comprises reply options for the recipients.

25. A method as claimed in claim 23, wherein said receiving step for receiving acknowledgment responses comprises the steps of recipients generating and transmitting a ReFLEX protocol multicast ACK signal when the group alert message is received.

26. A method as claimed in claim 1, wherein the broadcasting step comprises the step of generating and transmitting one-way, ReFLEX protocol-formatted, one-to-many broadcast group dispatch forward message comprising at least one of an information service (IS) message and a personal message having a control field therein to specify how the recipients are to respond to the group dispatch forward message.

27. A method as claimed in claim 26, wherein said control field indicates that the recipients are to perform at least one of a plurality of operations comprising sending acknowledgement that the group dispatch forward message was received, sending acknowledgement that the group dispatch forward message was read, and selecting from among a number of multiple choice response options.

28. A method as claimed in claim 26, wherein the control field indicates that the recipients are to send a control command to a peripheral device.

29. A method as claimed in claim 1, wherein the broadcasting step comprises the step of transmitting a group alert message to the recipients sharing the selected group address via the paging network using a single network transaction.

30. An apparatus for alerting a group of recipients over a wireless network, each recipient comprising a mobile device having a two-way wireless communication function, the apparatus comprising:

at least one of a memory device and an interface to an external memory device for storing for each recipient an assigned primary identifying address and one or more group addresses that are shared with selected ones of the other recipients;

a network client interface for receiving a communication from a network client requesting wireless transmission of a message to recipients sharing a selected one of the group addresses;

a wireless communication network interface for communicating with the recipients via a wireless communication network; and

a processing device connected to the memory device, the network client interface and the wireless communication network interface, the processing device being programmed to

US 7,969,959 B2

27

transmit a communication to the network client comprising group information relating to the selected group addresses, the group information comprising at least one of the number of the recipients having the selected group address and the identifying addresses of the recipients having the selected group address, broadcast the message to the selected group address via the wireless communication network and the wireless communication network interface, receive acknowledgment responses from the recipients sharing the selected group address via the wireless communication network in response to the message, the acknowledgement responses each comprising at least one of an indication of successful receipt of the message and an indication that the message was read by the recipient that transmitted the corresponding acknowledgement response, store, for each recipient having the selected group address, a recipient identifier and a corresponding message alert status indicator indicating at least one of the message has been received by that recipient, and the message has been sent but not yet received by that recipient, depending on when that recipient transmitted its corresponding acknowledgement response, and provide at least one of the acknowledgment responses and the stored message alert status indicator for each of the recipients to the network client to determine message alert status for each of the recipients in the group corresponding to the selected group address including at least identifying which of the recipients received the message and which of the recipients have not yet received the message.

31. An apparatus as claimed in claim 30, wherein the processing device is programmed to generate and transmit a one-way, ReFLEX protocol-formatted, one-to-many broadcast group alert message comprising an information service (IS) message.

32. An apparatus as claimed in claim 31, wherein the group alert message comprises reply options for the recipients.

33. An apparatus as claimed in claim 31, wherein the apparatus is configured to receive via the wireless communication network interface a ReFLEX protocol multicast ACK signal from each of the recipients when it has received the group alert message.

34. An apparatus as claimed in claim 31, wherein the processing device is programmed to generate and transmit the message to the recipients sharing the selected group address via the wireless communication network using a single network transaction.

35. An apparatus as claimed in claim 30, wherein the processing device is programmed to store in at least one of the memory device and the external memory device data relating to the recipients, the groups and the memberships of recipients to various ones of the groups; and perform wireless configuration transactions to synchronize the memories of respective ones of the recipients with the data in the at least one of the memory device and the external memory device.

36. An apparatus as claimed in claim 35, wherein the processing device is programmed to replicate at least one of group membership configuration information and group encryption keys to the recipients, and receive confirmation responses from the recipients relating to updating of the at least one of group membership configuration information and group encryption keys in their respective memories.

28

37. An apparatus for alerting a group of recipients over a wireless network, each recipient comprising a mobile device having a two-way wireless communication function, the apparatus comprising:

- at least one of a memory device and an interface to an external memory device for storing for each recipient an assigned primary identifying address and one or more group addresses that are shared with selected ones of the other recipients;
- a network client interface for receiving a communication from a network client requesting wireless transmission of a message to recipients sharing a selected one of the group addresses;
- a wireless communication network interface for communicating with the recipients via a wireless communication network; and
- a processing device connected to the memory device, the network client interface and the wireless communication network interface, the processing device being programmed to transmit a communication to the network client comprising group information relating to the selected group addresses, the group information comprising at least one of the number of the recipients having the selected group address and the identifying addresses of the recipients having the selected group address, broadcast the message to the selected group address via the wireless communication network and the wireless communication network interface, receive acknowledgment responses from the recipients sharing the selected group address via the wireless communication network in response to the message, the acknowledgement responses each comprising at least one of an indication of successful receipt of the message and an indication that the message was read by the recipient that transmitted the corresponding acknowledgement response, provide the acknowledgment responses to the network client to determine message alert status for each of the recipients in the group corresponding to the selected group address including at least identifying which of the recipients received the message and which of the recipients have not yet received the message, store in at least one of the memory device and the external memory device data relating to the recipients, the groups and the memberships of recipients to various ones of the groups, and perform wireless configuration transactions to synchronize the memories of respective ones of the recipients with the data in the at least one of the memory device and the external memory device;
- wherein the memories and the at least one of the memory device and the external memory device comprise carbon copy flags to define functional aspects for each of the recipients with respect to different groups, and wherein the processing device is further programmed to set the carbon copy flags of selected ones of the recipients in a selected group to a first setting to allow them to respond to a message transmitted to the group address of the selected group, and set the carbon copy flags of the remaining ones of the recipients in the selected group to a second setting to prevent them from responding to a message transmitted to the group address of the selected group.

US 7,969,959 B2

29

38. An apparatus as claimed in claim 30, wherein group addresses are reserved for local use as an on-site warning system to create a rapid deployment system employing the recipients.

39. A mobile device having a two-way wireless communication function for receiving and processing group alerts directed to a group of recipients over a wireless network, the mobile device comprising:

a memory device for storing an assigned primary identifying address for its corresponding recipient and one or more group addresses that are shared with selected ones of the other recipients;

a wireless communication network interface for communicating with a switch via a wireless communication network to receive messages and to transmit responses to the switch; and

a processing device connected to the memory device and the wireless communication network interface, the processing device being programmed to receive a message broadcast by the switch to a selected group address via the wireless communication network, to determine if it shares the selected group address, and to transmit an acknowledgment response to the switch via the wireless communication network in response to the message if it shares the selected group address, the acknowledgement response comprising at least one of an indication of successful receipt of the message and an indication that the message was read by the recipient to facilitate determination of message alert status for recipient including at least identifying whether or not the recipient received the message;

wherein the processing device is programmed to provide recipient identifying and status information in a response to the message, and the status information comprises at least one of confirmation that the message was displayed at the mobile device, and confirmation that the response was one of multiple choices for responses provided in the message; and

wherein the processing device is programmed to configure the mobile device to be a listen-only group member of a selected group address for receiving the message sent to the selected group address but not transmitting the acknowledgment response to the switch in response to the message.

30

40. A mobile device as claimed in claim 39, wherein the processing device is programmed to send a command to a telemetry device in response to a corresponding instruction in the message.

41. A mobile device as claimed in claim 39, further comprising a display device, the processing device being programmed to display on the display device at least one of content of the message, group name corresponding to the selected group address and multiple choice options provided in the message for responding to the message.

42. A mobile device as claimed in claim 39, wherein the message comprises carbon copy flags to define functional aspects for each of the recipients of the selected group address, and the processing device is programmed to configure the mobile device to be a listen-only group member of a selected group address for receiving the message sent to the selected group address but not transmitting the acknowledgment response to the switch in response to the message when carbon copy flag of the corresponding recipient is set to a first setting, and to transmit a response to the message when the carbon copy flag of the corresponding recipient is set to a second setting.

43. A mobile device as claimed in claim 39, wherein the processing device is programmed to generate and transmit a ReFLEX protocol multicast ACK signal when the message is received.

44. A mobile device as claimed in claim 43, wherein the message is a one-way, ReFLEX protocol-formatted, one-to-many broadcast group alert message comprising an information service (IS) message, and the processing device is programmed to generate an ALOHA command in response to the IS message as the multicast ACK signal when the message is received.

45. A mobile device as claimed in claim 39, wherein the status information comprises a timestamp for when the response was sent from the mobile device.

46. A mobile device as claimed in claim 39, wherein the processing device is programmed to customize handling of messages broadcast to different ones of the group addresses to which the mobile device belongs.

* * * * *

EXHIBIT B



US008199740B2

(12) **United States Patent**
Dabbs, III et al.

(10) **Patent No.:** **US 8,199,740 B2**
(45) **Date of Patent:** ***Jun. 12, 2012**

(54) **METHOD AND APPARATUS FOR EFFICIENT AND DETERMINISTIC GROUP ALERTING**

(56) **References Cited**

(75) Inventors: **James M. Dabbs, III**, Stockbridge, GA (US); **Brian Claise**, Alpharetta, GA (US)

U.S. PATENT DOCUMENTS

5,278,539	A	1/1994	Lauterbach et al.
5,835,860	A	11/1998	Diachina
6,304,649	B1	10/2001	Lauzon et al.
6,529,735	B1	3/2003	De Brito
6,710,702	B1	3/2004	Averbuch et al.
6,714,636	B1	3/2004	Baiyor et al.
6,804,332	B1	10/2004	Miner et al.
7,337,146	B2 *	2/2008	Heelan et al. 705/52
7,657,253	B2 *	2/2010	Lewis 455/412.2
7,808,378	B2 *	10/2010	Hayden 340/506

(73) Assignee: **Critical Response Systems, Inc.**, Norcross, GA (US)

(*) Notice: Subject to any disclaimer, the term of this patent is extended or adjusted under 35 U.S.C. 154(b) by 0 days.

This patent is subject to a terminal disclaimer.

(Continued)

OTHER PUBLICATIONS

M 1520, Product Brochure, Critical Response Systems™, Copyright 2005, 2 pages, www.critresp.com.

(21) Appl. No.: **13/154,138**

(Continued)

(22) Filed: **Jun. 6, 2011**

Primary Examiner — Pierre-Louis Desir
(74) *Attorney, Agent, or Firm* — Roylance, Abrams, Berdo & Goodman, LLP

(65) **Prior Publication Data**

US 2011/0299403 A1 Dec. 8, 2011

(57) **ABSTRACT**

Related U.S. Application Data

(63) Continuation of application No. 11/303,025, filed on Dec. 16, 2005, now Pat. No. 7,969,959.

A system and method are provided for reliable, wireless group alerting in a system having a database, switch, wireless network, and a plurality of intelligent mobile receivers, and preferably employing a modified two-way paging based on ReFLEX™ protocol information service (IS) messages and a novel ALOHA command for multicast acknowledgement from mobile receivers. An encrypted message is broadcast to a group address and received by a selected number of the mobile receivers. The network replies to the sender with detailed information about the individual members in the alert group. Each of the mobile receivers in the group then acknowledges the common message back to the system, decrypts the message, displays it to the user, and allows the user to respond. The system employs centralized management to simplify the roles of the mobile users and administrators, minimizing configuration and operational human errors that would otherwise result in confusion or lost messages.

(60) Provisional application No. 60/636,094, filed on Dec. 16, 2004.

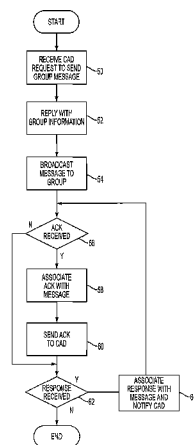
(51) **Int. Cl.**
H04W 4/00 (2009.01)

(52) **U.S. Cl.** **370/349**; 455/519; 455/404.1; 455/410; 340/7.46; 340/539.1; 340/442; 340/445; 340/441; 370/390; 370/310; 709/206; 709/207

(58) **Field of Classification Search** 455/404.1, 455/410, 519; 370/349, 310, 390; 340/7.46, 340/539.1, 442, 441, 445; 709/206, 207

See application file for complete search history.

21 Claims, 7 Drawing Sheets



US 8,199,740 B2

Page 2

U.S. PATENT DOCUMENTS

2001/0010490 A1* 8/2001 Bellin 340/7.46
2002/0177428 A1 11/2002 Menard et al.
2003/0153343 A1 8/2003 Crockett et al.
2004/0087300 A1 5/2004 Lewis
2004/0180654 A1 9/2004 Chen
2005/0157720 A1 7/2005 Chandhok et al.
2005/0198183 A1 9/2005 Zilliacus et al.
2006/0105740 A1 5/2006 Puranik
2006/0178128 A1 8/2006 Eaton et al.

2006/0273893 A1* 12/2006 Warner 340/531
2010/0146057 A1* 6/2010 Abu-Hakima et al. 709/206

OTHER PUBLICATIONS

M1501, Product Brochure, Critical Response Systems™, Copyright
2005, 3 pages, www.critresp.com.
“Mobile Data and Paging for First Responders”, Sparkgap™. Copy-
right 2004, 2 pages, www.tga.com.

* cited by examiner

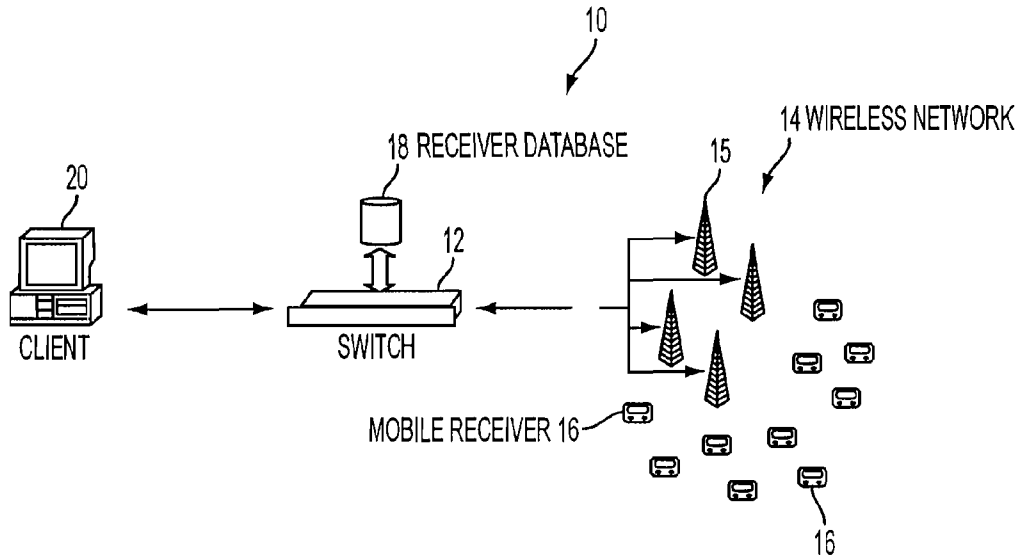


FIG. 1

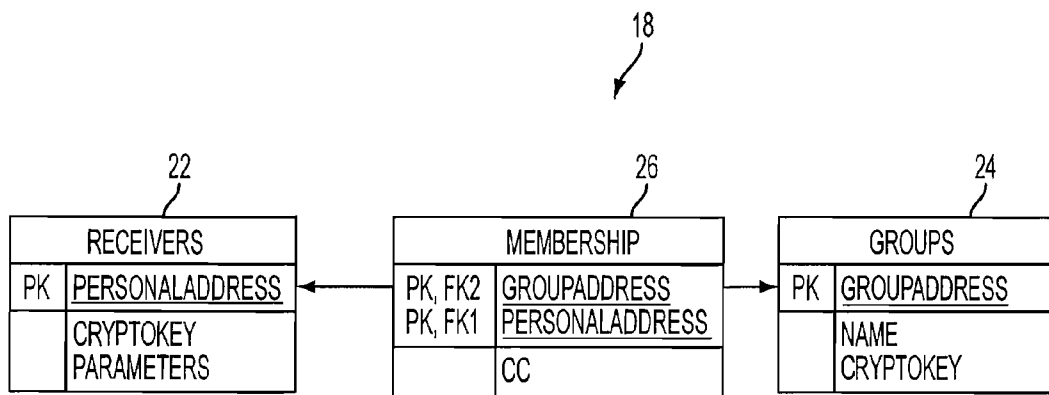


FIG. 2

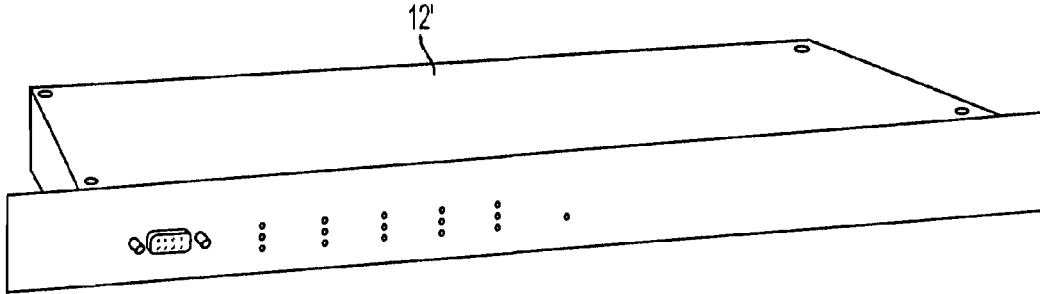


FIG. 3

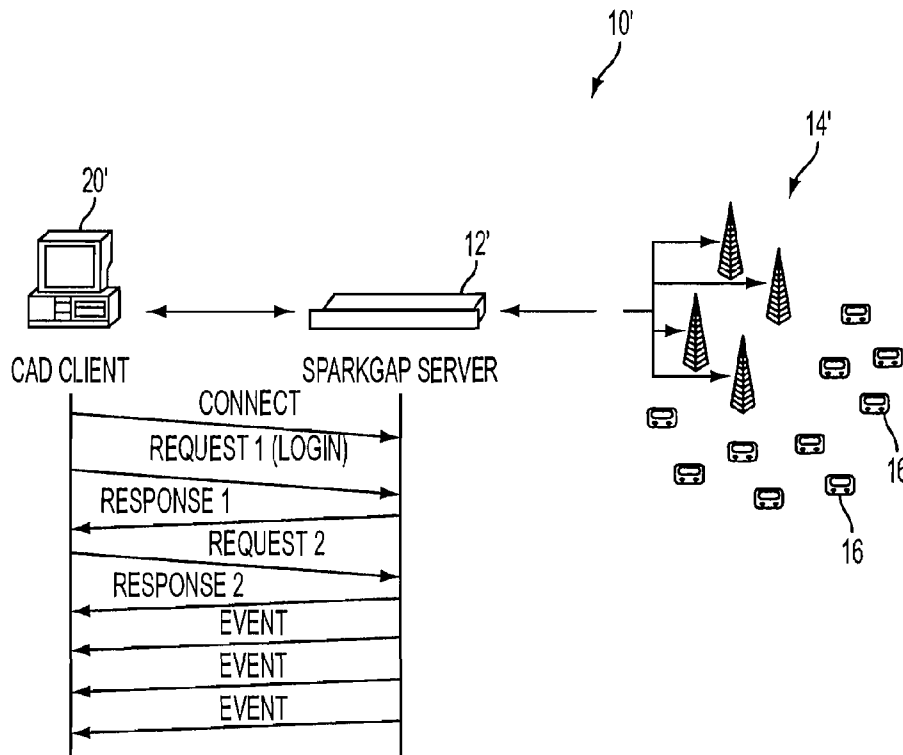


FIG. 4

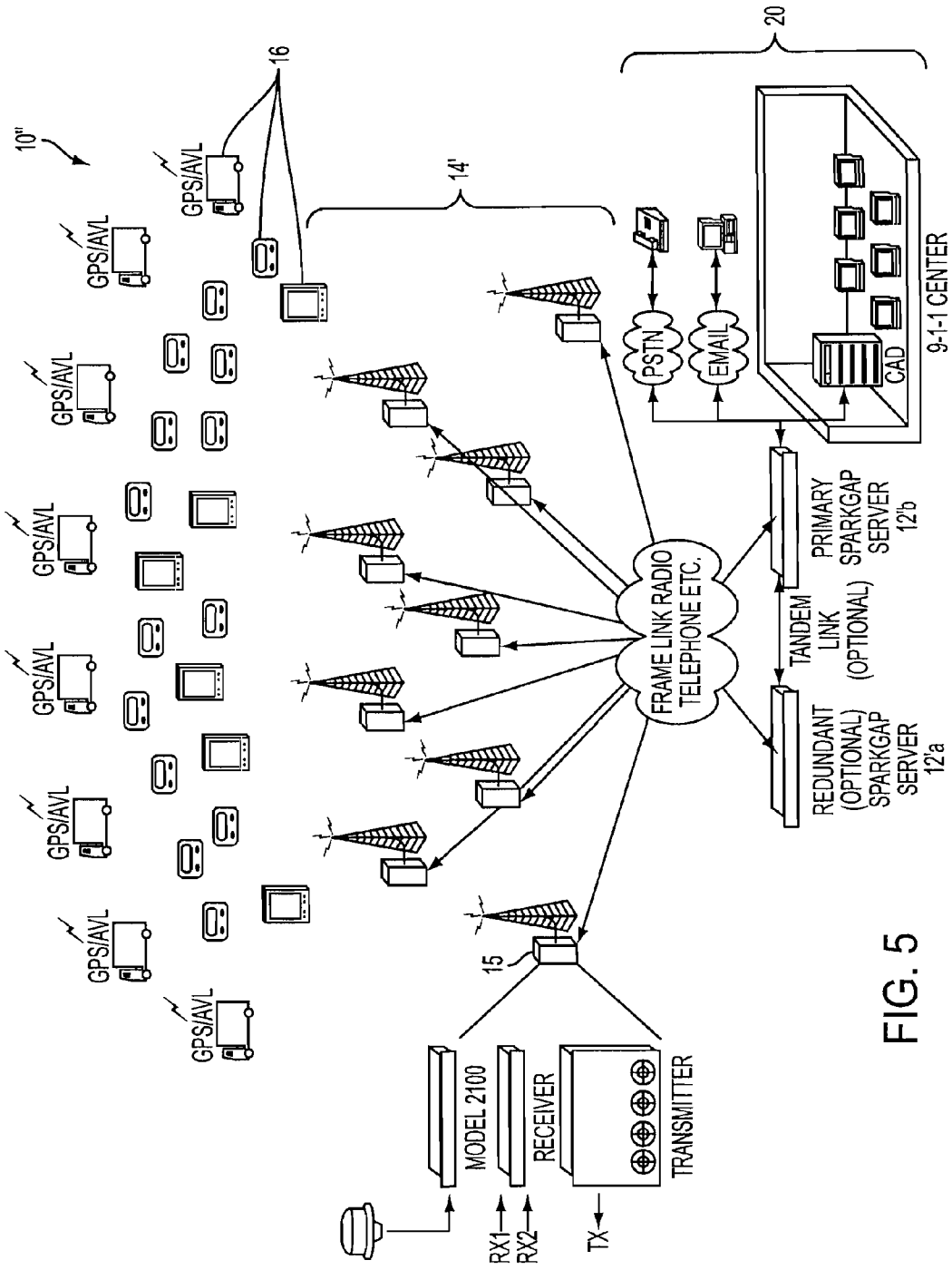


FIG. 5

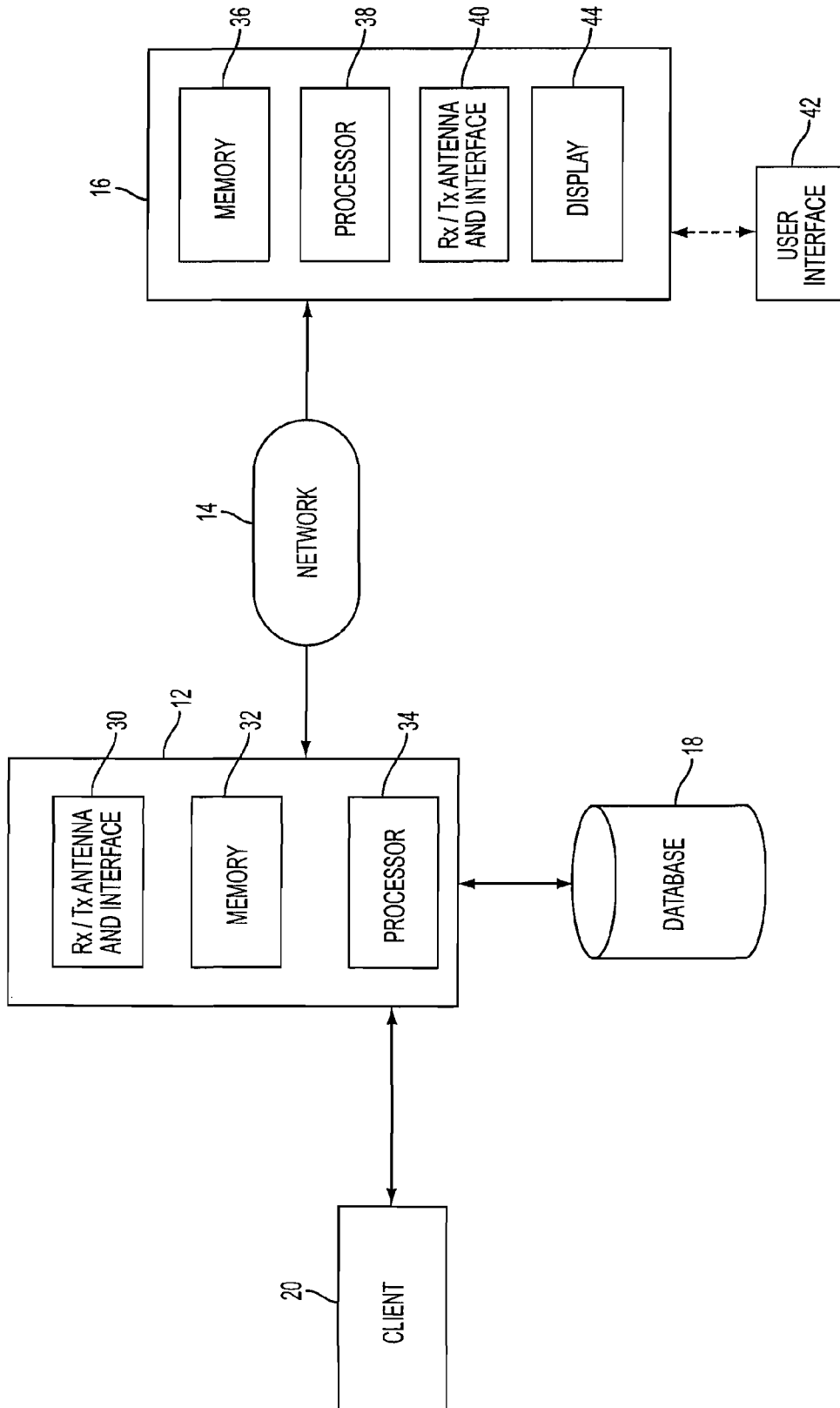


FIG. 6

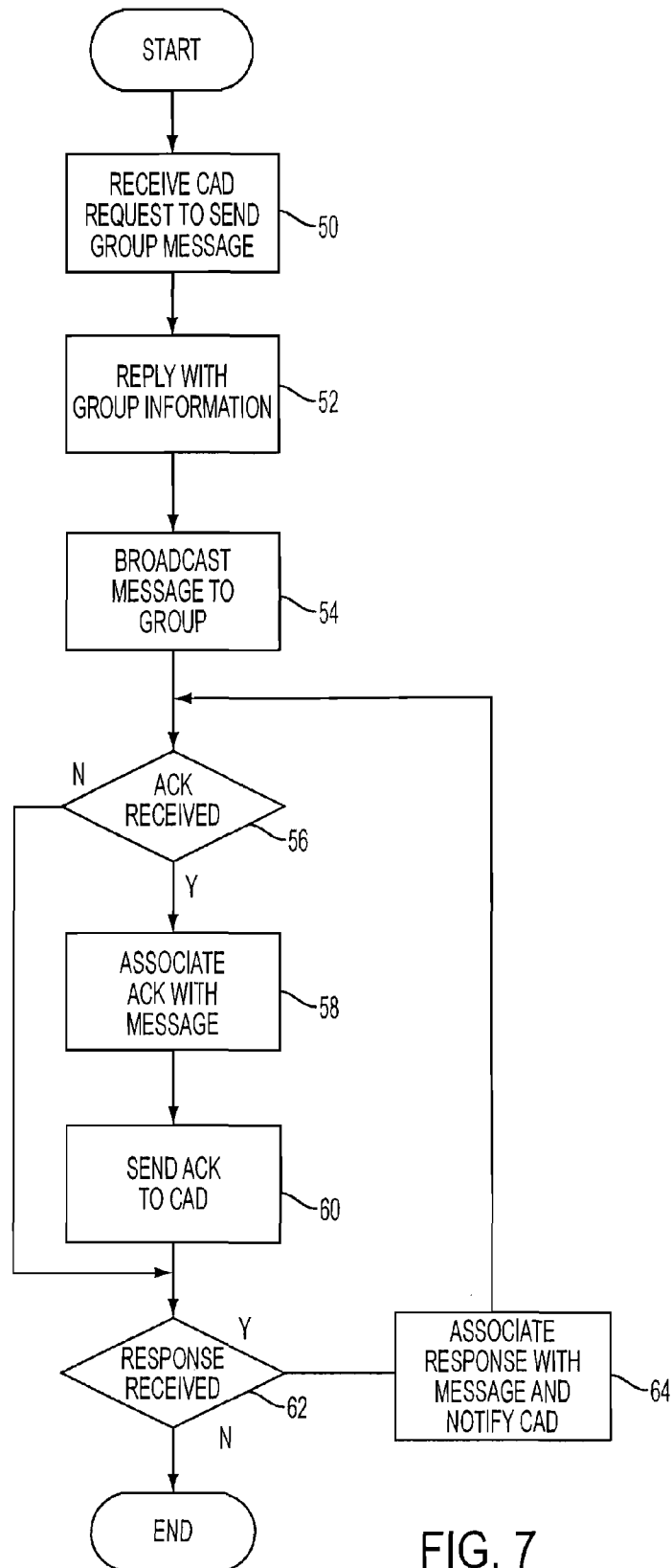


FIG. 7

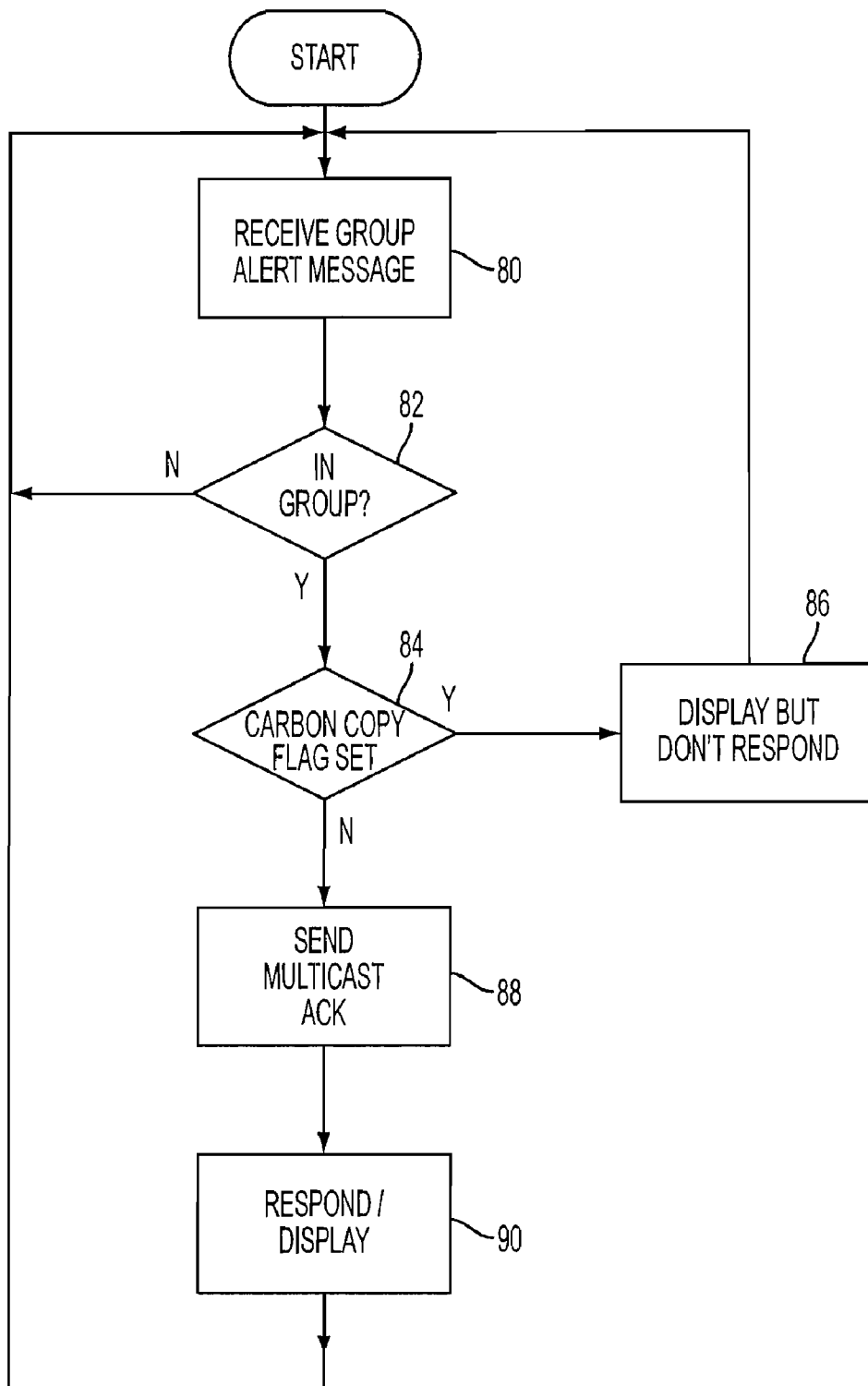


FIG. 8

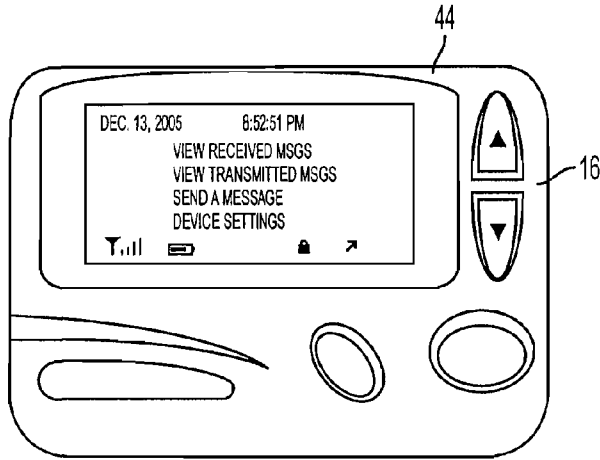


FIG. 9A

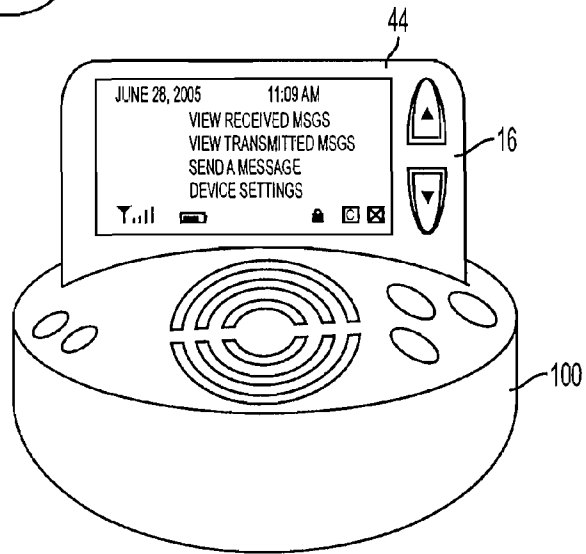


FIG. 9B

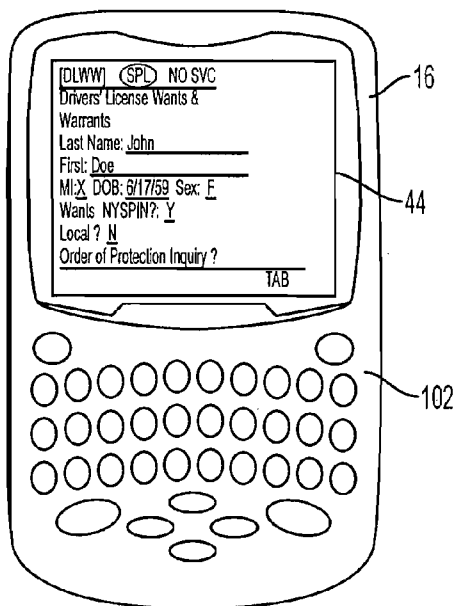


FIG. 10

US 8,199,740 B2

1

METHOD AND APPARATUS FOR EFFICIENT AND DETERMINISTIC GROUP ALERTING

This patent application is a continuation of U.S. patent application Ser. No. 11/303,025, filed Dec. 16, 2005, now U.S. Pat. No. 7,969,959 which claims the benefit of U.S. provisional application Ser. No. 60/636,094, filed Dec. 16, 2004, the entire disclosures of which are incorporated herein by reference.

BACKGROUND OF THE INVENTION

The ability to alert and mobilize first responders is central to the readiness of any public safety agency. In the aftermath of recent major public safety events, including natural and man-made disasters, the public safety community has thoroughly examined all aspects of wireless interoperable voice communications. However, first responder alerting has remained largely unexamined for over a decade, and in communities relying on volunteer first responders, the critical importance of first responder alerting rivals that of interoperable voice communications.

Shortcomings with current alerting technologies are well documented in the public record. One analysis of communication failure during periods of profound crisis, the *Arlington County After-Action Report on the Response to the September 11 Terrorist attack on the Pentagon* available from Arlington County, Virginia, notes failures in all forms of communications, from initial alerting to tactical voice communication. As stated in this report, during the events of Sep. 11, 2001, radio channels became oversaturated, and interoperability problems among jurisdictions and agencies persisted throughout the entire response process. Otherwise compatible portable radios were preprogrammed in a manner that precluded interoperability. Cellular telephone systems and even the public switched telephone network (PSTN) became congested and unusable.

This report cited traditional, 1-way paging systems as the most reliable method of alerting and notification. However, the lack of a paging response channel left responders relying on other, less reliable forms of communication to escalate, reply to, or even confirm receipt of their instructions. These problems with cellular telephone networks and the PSTN limited the overall effectiveness of 1-way paging as an alerting system. This created serious operational challenges during the Sep. 11, 2001 series of events, and they will create similar problems in any such future events.

Even during day-to-day public safety activity, these alerting system limitations are problematic. In most cases, when volunteer groups are alerted by pager, incident commanders do not know who will actually respond until personnel begin to arrive on scene. This delay postpones decisions regarding escalation and mutual aid, letting critical time slip by before commanders can identify and correct problems with the response. This time period can define the success or failure of the response process, presenting a critical need for simple, inexpensive, pager-type devices that can reply to group messages.

However, public safety agencies still rely on 25-year old, 1-way paging technology as their core alerting solution. Many newer technologies are available, but for alerting, for a variety of reasons, these technologies do not provide a meaningful improvement over 1-way paging. Existing mobile data systems are too expensive and too bulky for continual personal use. Digital and analog 2-way voice systems are similarly impractical for widespread, continuous deployment to volunteer forces. Several contemporary PCS technologies

2

have integrated voice, data, and paging, but their complete dependence on commercial networks runs counter to commonly accepted reliability standards (e.g., NFPA-1221). Private broadband solutions (such as IEEE 802.11 and 802.16) provide high-capacity data capabilities, but they lack the coverage, portability, and resilience required for wide-area alerting of large volunteer forces. Contemporary 2-way paging systems perhaps come closest to meeting the alerting needs of public safety agencies. Like 1-way systems, these pagers are small, inexpensive devices that operate for long periods on battery power. However, these systems have no ability to acknowledge group messages.

More importantly, beyond the limitations described above, none of these systems provide a network interface sufficient to support acknowledged group messaging. Requiring that the message originator individually alert each recipient adds considerable setup delay when alerting large groups. This delay is eliminated when using network-supported call group or common address messages, but the message originator must have prior knowledge of group membership. If a message originator does not know the membership of the paged group, there is no context to know whether enough manpower is responding, or whether key individuals have been mobilized. Manually maintaining accurate group membership rosters between networks and message originators would be impractical since this is time consuming, difficult, and prone to errors. For a communications system to provide usable, acknowledged group alerting capabilities to public safety agencies, the network interface must provide group membership details when the group message is sent. Even if the mobile devices were capable of acknowledging group messages, current systems do not provide message originators this membership information regarding the alerted group. Simply guaranteeing that a message will be eventually delivered to all recipients is insufficient for public safety alerting applications. The message originator (dispatcher, incident commander, etc.) needs immediate feedback as to who has been alerted and how they have replied, as well as information concerning those who cannot be reached.

A need therefore exists for a 2-way paging system that could be improved with group message acknowledgement and a suitable system interface. Such a system would address the current shortcomings of public safety alerting systems, and could also provide other benefits. For instance, it could act as an improved personnel accountability system (PAS) for on-scene communications. Incident commanders could instantly notify responders of imminent threats, such as impending chemical release or structure failure, and verify receipt by all personnel. Responses could be expanded to include location information and health or equipment status information. Such systems, made practical because of the high performance and low cost of 2-way pagers, would both obviate traditional problems with interoperable on-scene communications and enable central oversight of critical real-time safety data.

While public safety's need for a system capable of acknowledged group alerting system is clear and well documented in the public record, no such system yet exists but for the present invention described herein.

SUMMARY OF THE INVENTION

The above-described deficiencies in the prior art are overcome and a number of advantages are realized by the present invention. In accordance with an aspect of the present invention, a method of efficient and deterministic alerting of a group of recipients over a wireless network is provided. Each

US 8,199,740 B2

3

recipient comprises a mobile device capable of transmitting and receiving data. The method comprises the steps of: storing for each recipient an assigned primary identifying address and one or more group addresses that are shared with selected ones of the other recipients; receiving a communication from a network client requesting wireless transmission of a message to recipients sharing a selected one of the group addresses; transmitting a communication to the network client comprising group information relating to the selected group addresses, the group information comprising at least one of the number of the recipients having the selected group address and the identifying addresses of the recipients having the selected group address; broadcasting the message to the selected group address via a wireless network; receiving acknowledgment responses from the recipients sharing the selected group address via the wireless network; and providing the acknowledgment responses to the network client.

In accordance with another aspect of the present invention, an apparatus for efficient and deterministic alerting of a group of recipients over a wireless network is provided. Each recipient comprises a mobile device capable of transmitting and receiving data. The apparatus comprises: at least one of a memory device and an interface to an external memory device for storing for each recipient an assigned primary identifying address and one or more group addresses that are shared with selected ones of the other recipients; a network client interface for receiving a communication from a network client requesting wireless transmission of a message to recipients sharing a selected one of the group addresses; a wireless communication network interface for communicating with the recipients via a wireless communication network; and a processing device connected to the memory device, the network client interface and the wireless communication network interface, the processing device being programmed to transmit a communication to the network client comprising group information relating to the selected group addresses, the group information comprising at least one of the number of the recipients having the selected group address and the identifying addresses of the recipients having the selected group address, broadcast the message to the selected group address via the wireless communication network and the wireless communication network interface, receive acknowledgment responses from the recipients sharing the selected group address via the wireless communication network, and provide the acknowledgment responses to the network client.

In accordance with yet another aspect of the present invention, a mobile device for efficient and deterministic alerting of a group of recipients over a wireless network is provided. Each recipient comprises a mobile device capable of transmitting and receiving data. The mobile device comprises: a memory device for storing an assigned primary identifying address for its corresponding recipient and one or more group addresses that are shared with selected ones of the other recipients; a wireless communication network interface for communicating with a switch via a wireless communication network to receive messages therefore and to transmit responses to the switch; and a processing device connected to the memory device and the wireless communication network interface, the processing device being programmed to receive a message broadcast by the switch to a selected group address via the wireless communication network, to determine if it shares the selected group address, and to transmit an acknowledgment response to the switch via the wireless communication network if it shares the selected group address.

4

BRIEF DESCRIPTION OF THE DRAWINGS

The present invention can be further understood with reference to the following description and the appended drawings, wherein like elements are provided with the same reference numerals:

FIG. 1 is a diagram of a group alerting system constructed in accordance with an exemplary embodiment of the present invention;

FIG. 2 is a diagram of a database used in a group alerting system constructed in accordance with an exemplary embodiment of the present invention;

FIG. 3 is an isometric view of a switch or server used in a group alerting system constructed in accordance with an exemplary embodiment of the present invention;

FIG. 4 is a diagram of communication between a client and a server used in a group alerting system constructed in accordance with an exemplary embodiment of the present invention;

FIG. 5 is a diagram of a group alerting system constructed in accordance with an exemplary embodiment of the present invention;

FIG. 6 is a block diagram of a group alerting system constructed in accordance with an exemplary embodiment of the present invention;

FIG. 7 is a flow chart illustrating a sequence of operations for broadcasting a group message and group message acknowledgment in accordance with an exemplary embodiment of the present invention;

FIG. 8 is a flow chart illustrating a sequence of operations for receiving, acknowledging and processing group message at a mobile receiver in accordance with an exemplary embodiment of the present invention; and

FIGS. 9A, 9B and 10 are views of mobile receivers constructed in accordance with exemplary embodiments of the present invention.

DETAILED DESCRIPTION OF THE EXEMPLARY EMBODIMENTS

Overview

In accordance with the present invention, a system and method are provided for reliable, wireless group alerting in a system that comprises a database, switch, wireless network, and a plurality of intelligent mobile receivers, and employs a modified two-way paging protocol based on group messaging capability of the Motorola ReFLEX™ protocol and a novel ALOHA command for multicast acknowledgement (ACK) from mobile receivers. An encrypted message is broadcast to a group address. This message is received by a number of mobile receivers, each of which then acknowledges back to the system, decrypts the message, displays it to the user, and allows the user to respond, if they belong to the group address. The system employs centralized management to simplify the role of the mobile users and administrators, minimizing configuration and operational human errors that would otherwise result in confusion or lost messages. It also employs novel mechanisms to compress the responses from the receivers to use minimal airtime. The system is particularly relevant to public safety and critical infrastructure operators, where large group dispatches must be delivered quickly and deterministically to a heavily distracted mobile workforce, and their responses must be delivered to the dispatch center efficiently. As such, this system provides a comprehensive, meaningful solution to support distracted users with simple, resilient group messaging. It is to be understood that, while an exemplary embodiment is described herein that uses paging tech-

US 8,199,740 B2

5

nology, the present invention can also be implemented using a cellular system, a wireless local area network or more specifically WiFi, or other wireless communication technology.

In accordance with an exemplary embodiment of the present invention, a system for group alerting employs a SPARKGAP™ network which utilizes a modified version of a protocol called ReFLEX™ developed by Motorola, Inc. for two-way paging and Narrowband PCS (NPCS). This system uses a 12.5 KHz channel pair operating in the 900 MHz band. It is to be understood, however, that the group messaging of the present invention can be implemented using other types of protocols and network devices.

In accordance with an aspect of the present invention, a SPARKGAP™ Dispatch Protocol (SDP) is provided as a streamlined means for a computer aided dispatch (CAD) system to communicate with two-way pagers on a SPARKGAP™ ReFLEX™ network. SPARKGAP™ is a ReFLEX™ network solution designed to control one or more base stations and provide two-way paging and mobile data coverage over an arbitrary geographical area. While this solution is similar in some ways to traditional one-way paging, two-way paging also differs significantly from its one-way counterpart. Two-way pagers acknowledge and reply to messages they receive, and they can originate their own messages. These additional capabilities outperform traditional paging input protocols (e.g., SNPP, TAP and TNPP). In addition, while more suitable second generation paging protocols exist (e.g., SMTP, SMPP, and WCTP), these newer protocols do not expose group membership information necessary for effective, acknowledged group messaging.

The SDP of the present invention is a transactional, TCP/IP protocol where the CAD system is the client and the SPARKGAP™ is the server. It features synchronous, client-initiated request/response transactions as well as asynchronous server-driven events, minimizing latency and complexity and delivering a rational solution to the public safety space.

A Dispatch/Response Layer (DRL) is also provided in accordance with the present invention as a layer above the ReFLEX™ Air Protocol to support group messaging. The SDP and DRL are analogized as book ends in that they operate on either side of the ReFLEX™ network.

ReFLEX™ supports personal and information service (IS) messages. Personal messages involve a single recipient, and ReFLEX™ enables the receiving pager to acknowledge reception, notify that the user has read the message, and relay multiple-choice responses from the user. IS messages involve an arbitrary group of recipients sharing common group addresses called IS addresses. ReFLEX™ pagers can be configured with one personal address and multiple IS addresses. IS messages are strictly one-way and ReFLEX™ does not support any response or acknowledgement from the recipient group. The present invention, however, adds message acknowledgement, message read notification, and multiple-choice response capability to IS messages, creating an infrastructure for reliable multicast messaging within the ReFLEX™ protocol. As described further below, the present invention implements two significant changes to conventional 2-way paging. First, it defines a new ALOHA command ('Multicast ACK Command') used by a pager to reply to an IS message. Second, it defines a flag to select which devices are allowed to use this feature.

System Description

A system 10 configured in accordance with an exemplary embodiment of the present invention is depicted in FIG. 1. With reference to FIG. 1, a central switching system (hereinafter referred to generally as 'Switch') 12 connects to a Wireless Network 14 and communicates with a number of sub-

6

scriber devices (hereinafter referred to generally as 'Receivers') 16 such as pagers, cell phones, or wireless personal data assistants (PDAs), or portable computer running WiFi. Each Receiver is assigned one identifying Primary Address and one or more multiple Group Addresses, and is capable of receiving broadcast alert messages directed to any of its addresses. The Switch 12 comprises a Receiver Database 18 comprising stored information describing receivers, their group membership, and connects to a Wireless Network 14 such as a PCS network employing cell broadcast, a paging network, or a broadcast-capable data network employing group addressing.

With reference to FIG. 2, the Receiver Database 18 comprises an independent table of Receivers 22 and an independent table of Groups 24. Each Receiver row in table 22 contains an identifying personal address, as well as other information specific to a single device 16 and its Wireless Network architecture. Each Group row in table 24 contains an identifying group address, an encryption key, and a symbolic name. A dependent table of Membership 26 provides the many-to-many relationship between Receiver and Group rows. Each Membership row assigns one receiver to one group. Membership rows contain GroupAddress and PersonalAddress columns, identifying a Group and Receiver row, respectively. Each Membership row also contains a ReceiverGroupNumber column, a small mnemonic value that uniquely identifies the Group from other Groups programmed into the same Receiver, and CC ('carbon copy') flag to define specific behavioral aspects of the Receiver. Receivers do not respond to messages received by group addresses if their CC flag is set, while they can respond to messages received by group addresses if their CC flag is clear. This mechanism allows users to monitor alerts to specific groups, without expectation by the source of the alerts for a response.

As administrative changes occur to the Receiver Database 18, configuration transactions are executed over the air with individual Receivers 16 to synchronize their configuration memory with the corresponding data in the Receiver Database 18. The system 10 therefore maintains an up-to-date image in the configuration memory of each Receiver 16, including a list of Group addresses, their ReceiverGroupNumber values, their symbolic names, encryption keys, and CC flags.

With reference to the flow charts in FIGS. 7 and 8, a 'Client' (e.g., a computer-aided dispatch center, a human user, or other network client 20) uses this system 10 to broadcast alert messages to groups of Receivers 16. To do so, the client 20 composes a message, preferably including display content and a list of response strings. The Client 20 then connects to the Switch 12 and requests transmission of the message to a particular group name (block 50). Depending on the architecture of the Wireless Network 14, either the Client 20 or the Wireless Network 14 assigns an identifying field to the message such that user responses can be associated with the correct message.

Upon receipt of the message, the Switch 12 responds to the Client 20 with detailed information on the group such as a list or a count of group members (block 52). It then encrypts the Group Message, assigns a cyclical message sequence number, and transmits the message to the Group Address (block 54). As described in more detail below in connection with the SPARKGAP™ dispatch protocol (SDP), the Switch 12 receives group message acknowledgment responses from the receivers 16 (block 56) that are associated with the broadcast group message (block 58) and provided to the Client 20 (block 60). Similarly, other types of responses generated as a

US 8,199,740 B2

7

result of the group message are associated with the broadcast group message (block 62) and provided to the Client 20 (block 64).

Upon receiving the Group Message (block 80), the Receivers 16 decrypt the message and display the content, group name, and multiple choice options to the user. Receivers employing paging technology that are not addressed in the group do not receive the message. Alternatively, a system 10 employing cellular broadcast of the message can receive but ignore the message if it is not in the addressed group (block 82). Each Receiver 16 with a CC flag of false transmits one or more acknowledgement codes through the Network 14 back to the Switch 12, specifying message received, message read notifications, and enumerated multiple-choice responses (block 84, 88 and 90). The datagram carrying the acknowledgement code also includes the personal address of the receiver 16, the ReceiverGroupNumber of the group address, and the message sequence number of the message, which together efficiently and uniquely identify the specific group message at the specific Receiver 16. Each Receiver 16 in the group with a CC flag of true does not transmit an acknowledgment reply to the Switch 12 but rather merely displays the group message (blocks 84 and 86).

Each receiver 16 provides a configuration display for the user. This display allows the user to specify, by group name, how notification should occur for messages received by each group address. Similarly, the Switch provides an administrative human interface that allows a system administrator to set up and maintain the Receivers 16 belonging to each Group.

An Exemplary Computer Aided Dispatch (CAD) System

The foregoing system description discusses the high-level organization and data flow of an exemplary group messaging system 10 that can use any of a variety of network types. With reference to FIGS. 3, 4 and 5, the following is a description of an exemplary type of network, that is, a ReFLEX™ two-way paging network that incorporates the new group messaging layer of the present invention. FIG. 3 is a SPARKGAP™ network controller 12' which is configured to implement group messaging in accordance with an exemplary embodiment of the present invention. FIG. 4 illustrates the use of a SPARKGAP™ network controller or server 12' in a system configuration 10' similar to FIG. 1. FIG. 5 illustrates another system configuration 10'' in accordance with another exemplary embodiment of the present invention.

The SPARKGAP™ network controller or server 12' in FIG. 3 provides private two-way paging, mobile data, and wireless email over inexpensive channel pairs in the 900 MHz Enhanced Specialized Mobile Radio (ESMR) band or the Narrowband Personal Communication Services (N-PCS) band. Coverage can be configured for a single building, multiple counties, or state-wide service, for example, supporting small user devices such as pagers and personal data assistants (PDAs) with Motorola's proprietary ReFLEX™ protocol. Since the SPARKGAP™ server provides encrypted acknowledgement paging, responders reply immediately to CAD events and other messages directly from their pagers, and Advanced Encryption Standard (AES) encryption protects all transmissions. Since the SPARKGAP™ server 12' supports mobile applications, law enforcement officers can use PDAs as receivers 16 to connect wirelessly with municipal, state, and federal databases to run license checks, warrants, and other mobile applications. Further, the SPARKGAP™ server is useful for automatic vehicle location. Small, inexpensive GPS sending units can be used as receivers 16 to monitor vehicles and heavy equipment, sending real-time location and status information on a 24 hour per day, 7 day per week basis.

8

The SPARKGAP™ server 12' can also support wireless e-mail. Users can send and receive secure, wireless email using pagers and PDAs.

The SPARKGAP™ server 12' can support one base station 15 or hundreds of base stations 15 in a network 14', each consisting of a standard 900 MHz paging transmitter and ReFLEX™ base receiver as shown in FIG. 5. A single station covers a 7-20 mile radius, and a network 14' can coordinate multiple stations using simulcast or cellular arrangements to optimize coverage and capacity. A single channel pair can serve thousands of users, and multiple channels can be aggregated for additional capacity. Even under worst-case peak conditions, the ReFLEX™ protocol uses centralized arbitration to prevent contention and channel overloading.

In accordance with an exemplary embodiment of the present invention, the SPARKGAP™ server 12' maintains a full packet data layer on top of paging, which is one of the most robust and most reliable communication technologies available, and leverages this foundation into a balanced set of features, coverage, and capacity. The SPARKGAP™ server 12' connects directly to computer-aided dispatch (CAD) systems, provides low latency messaging with virtually unbreakable security, and operates with the lowest cost-per-user and cost-per-coverage-area of any wireless data solution available. For additional resilience, redundant hot standby units maintain network operation even under catastrophic circumstances, keeping first responders connected when they are needed most.

As stated previously, the SPARKGAP™ protocol and associated server 12' provide a ReFLEX™ network solution designed to control one or more base stations 15 and provide two-way paging and mobile data coverage with user devices 16 over an arbitrary geographical area. While this solution is similar in some ways to traditional one-way paging, two-way paging also differs significantly from its one-way counterpart. Two-way pagers acknowledge and reply to messages they receive, and they can originate their own messages. These additional capabilities outperform traditional paging input protocols (e.g., SNPP, TAP and TNPP). In addition, while more suitable second generation paging protocols exist (e.g., SMTP, SMPP, and WCTP), these newer protocols do not expose group membership information necessary for effective, acknowledged group messaging.

Client 20/Server 12 Protocol

In accordance with an aspect of the present invention, a SPARKGAP™ Dispatch Protocol (SDP) is provided as a streamlined means for a computer aided dispatch (CAD) system 20' to communicate with two-way pagers 16 in, for example, a SPARKGAP™ ReFLEX™ network 14'. It is to be understood, however, that the group messaging of the present invention can be implemented using other types of protocols and network devices. The SDP of the present invention is a transactional, TCP/IP protocol where the CAD system is the client 20' and the SPARKGAP™ network controller 12' is the server. It features synchronous, client-initiated request/response transactions, as well as asynchronous server-driven events, to minimize latency and complexity and deliver a rational solution to the afore-mentioned issues relating to public safety and rapid response and communication. With reference to FIG. 6, the server or switch 12 or 12' comprises a memory device 32 and processor 34, which can be programmed to implement the SDP, as well as an interface 30 to the network 14 or 14'.

With further reference to FIG. 4, when employing SDP, the CAD system or client 20' connects to the SPARKGAP™ server 12' using TCP/IP on port 55000. The CAD system or client 20' initiates transactions with the SPARKGAP™ server

US 8,199,740 B2

9

12' using a synchronous request/response model, that is, the CAD system 10' sends the SPARKGAP™ server 12' a request from a client 20', the SPARKGAP™ sever 12' takes an action, and then the SPARKGAP™ server 12' sends the CAD system client 20' a response. Additionally, in order to minimize latency in delivering responses from the pagers, the SPARKGAP™ server 12' also sends asynchronous event notifications to the CAD system client 20' regarding message progress and responses from individual pagers.

The SDP will now be described in further detail. A description of protocol data units, transactions and events follows.

1. SDP Protocol Data Units

SDP requests, responses, and events are implemented as atomic protocol data units (PDUs) transmitted by the client 20 or 20' and server 12 or 12' using preferably a TCP/IP network. PDUs are serialized, and preferably always transmitted contiguously in their entirety. In other words, a node preferably never interrupts a partially transmitted PDU to begin another PDU. A PDU is preferably encoded using ASCII plain text, and consists of an identifying header followed by a collection of name/value attributes enclosed, as shown below, in curly brackets (braces).

1.1 Syntax

PDUs are preferably encoded using ASCII plain text according to the following specification:

```
Client-to-server transmission syntax:
"request" <request-number> <request-type> "{" <attribute-list> "
```

```
Server-to-client transmission syntax:
"event" <event-type> "{" <attribute-list> "
```

```
"response" <request-number> "{" attribute-list "
```

where,

```
<request-number> ::= <integer>
<request-type> ::= token
<event-type> ::= token
<attribute-list> ::= <attribute> [<attribute-list I
<attribute> ::= attribute-name "" attribute-value ""
<attribute-name> ::= token
<attribute-value> ::= <integer> <string>
<integer> ::= Base10 Integer Expression
<string> ::= string enclosed in double quotes
```

An example PDU exchange is illustrated as follows:

<pre>CAD to SPARKGAP™ request 5066 SendMessage { CadEventID="#CTYF041820772"; MessageID="2004"; DestinationID=Fire1; Display="Calling All Cars"; AlertResponse=0; ReadResponse=1; MCR="On My Way"; MCR="Busy"; MCR="On Scene"; }</pre>	<pre>SPARKGAP™ to CAD Response 5066 { ResultCode=0; ResultText="Message Queued"; } Event PagerResponse { Tunestamp="07082004130553EST"; MessageID="2004"; CadEventID="#CTYF041820772"; PagerID="229030020"; PagerName="Doe, John"; MessageRead=1; }</pre>
--	---

1.2 Attribute Value Types

The SDP of the present invention preferably supports two attribute types, with string or integer values. Integer values

10

are simply unsigned integers with no more than 32 significant bits, described using base-10 notation. Strings are simply printable ASCII strings contained in double quotes, and supporting the following escape sequences:

<pre>\n \r \" \\ \###</pre>	<pre>New Line Carriage Return Double Quote Backslash An octal value</pre>
-----------------------------	---

1.3 The Timestamp Attribute

All events contain a timestamp attribute marking the creation of the event. A timestamp value contains a string in a specific format:

MMDDYYYYHHMMSST

Where

- MM is the 2-digit month (1-12)
- DD is the 2-digit day of the month (1-31)
- YYYY is the 4-digit year
- HH is the 2 digit hour (0-23)
- MM is the 2 digit minute (0-59)
- SS is the 2 digit second (0-59)
- T is the 1-4 character time zone abbreviation

1.4 Attribute Order

In some cases, attribute order is significant. For illustrative purposes, receiving nodes are expected to read and decode attributes from first to last in the PDU.

2. Transactions

A transaction is exchanged on the network as a request from the client, some action by the server, and a response from the server. The SDP preferably includes three transactions described below:

-
- Login
 - SendMessage
 - QueryMessage
-

2.1 Login

The Login transaction establishes the identity of the CAD client 20 or 20' for purposes of reconnection. Should a TCP/IP connection be terminated, the SPARKGAP™ sever 12' will queue events awaiting a reconnection.

2.1.1 Request

The request PDU contains the following attributes:

User (string, mandatory): This value contains the name or identity of the CAD system client 20 or 20', which preferably must match an entry in a SPARKGAP™ CAD account database in the database 18.

Password (string, optional): This value contains the access password for the CAD system client 20 or 20'. If the CAD account is set up without a password, then this attribute is not required.

Version (integer, mandatory): This value specifies the protocol version that the CAD system client 20 or 20' is requesting for this session. The version is conveyed as the major number multiplied by 100 and added to the minor number. For illustrative purposes, this attribute value is 100.

US 8,199,740 B2

11

2.1.2 Response

The response PDU contains the following attributes:

ResultCode (integer, mandatory): This value contains the result code of the transaction.

ResultText (string, optional): This value contains a human readable message string describing the result of the transaction.

Version (integer, mandatory): This value specifies the protocol version that the SPARKGAP™ sever 12' is supporting for this session. The version is conveyed as the major number multiplied by 100 and added to the minor number. For illustrative purposes, this attribute value is 100.

System (string, optional): This value contains an identifying description of the SPARKGAP™-based system 10'.

2.1.3 Example

This example illustrates a CAD system client 20 or 20' logging into a SPARKGAP™ server 12' as user "ECD911," requesting version 1.0 of the protocol. The SPARKGAP™ server 12' grants the login and acknowledges version 1.0 support.

CAD to SPARKGAP™	SPARKGAP™ to CAD
<pre>request 5066 login { User="ECD911"; Password="GHtY778"; Version=100; }</pre>	<pre>Response 5066 { ResultCode=0; Version=100; ResultText="Connection Complete"; System="Sparkgap ESN 04000022"; }</pre>

2.2 SendMessage

The SendMessage transaction queues a message for delivery for one or more pager recipients 16. The transaction only queues the message for processing. As the message is processed and responses are received, a sequence of events will convey the results back to the CAD system 10'.

2.2.1 Request

The request PDU contains the following attributes

MessageID (string, mandatory): This value uniquely identifies the message from the client (CAD) 20 or 20' perspective. An identical MessageID attribute will be included in all subsequent events related to this message.

CadEventID (string, optional): This value uniquely identifies the precipitating CAD event. If present, an identical CadEventID attribute will be included in all subsequent events related to this message.

DestinationID (string, mandatory): This value specifies the target audience for the message. The DestinationID corresponds to the name of a group of pagers or an individual pager in the SPARKGAP™ database. The PDU may contain multiple DestinationID attributes, in which case the message will be directed to an aggregated group representing the net total of all recipients.

GroupDetail (integer, optional): This value conveys the client's desire to receive detailed information about group recipients in the transaction response. If this field is present and set to a non-zero value, then the response will include a PagerID and PagerName attribute for each constituent num-

12

ber of the group. If the GroupDetail attribute is not present or set to zero, then this information will not be included in the response.

Display (string, mandatory): This value contains the actual display message to be read by message recipients. Multiple Display attributes are arranged in the order they appear into a single unbroken message.

AlertResponse (integer, mandatory): If present and set to a non-zero value, this value instructs the SPARKGAP™ server 12' to notify the CAD client 20' as pagers 16 receive the message and alert their users.

ReadResponse (integer, optional): If present and set to a non-zero value, this value instructs the SPARKGAP™ server 12' to notify the CAD client 20' as users display the message on their pager.

MCR (string, optional): If present, MCR attributes specify "multiple-choice responses" to be presented to the user as reply options. Multiple MCR attributes may be included in the request. The first MCR encountered is number 0, the second is number 1, and so on. As users reply to the message, the SPARKGAP™ server 12' will relay appropriate PagerReply events to the CAD client 20'.

2.2.2 Response

The response PDU contains the following attributes:

ResultCode (Integer, mandatory): This value contains the result code of the transaction.

ResultText (string, optional): This value contains a human readable message string describing the result of the transaction.

GroupSize: This value specifies the total number or recipient members in the group.

PagerID (String, mandatory): This value contains the identification of one pager in the aggregate destination group. The presence of this attribute signifies that a corresponding PagerName attribute will follow. Together, these two fields are duplicated for each member of the total pager destination group.

PagerName (string, optional): The value contains the name of the pager user corresponding to the last PagerID value.

2.2.3 Example

This example illustrates a CAD system or client 20' sending the message "Calling all cars" to two dispatch groups, Fire1 and Fire34. The CAD system client 20 requests notification from each pager 16 when the users read the messages, but not when the pagers alert. The request includes a CadEventID and a MessageID so that the CAD system can properly categorize forthcoming events related to this message. The SPARKGAP™ server 12' queues the message and returns a successful result code in the response.

CAD to SPARKGAP™	SPARKGAP™ to CAD
<pre>request 5066 sendmessage { CadEventID="#CTYF041820772"; MessageID="2004"; DestinationID="Fire1"; DestinationID="Fire34"; GroupDetail=1; Display="Calling All Cars"; AlertResponse=0; ReadResponse=1; MCR="On My Way"; MCR="Busy"; MCR="Already On Scene"; }</pre>	

US 8,199,740 B2

13

-continued

CAD to SPARKGAP™	SPARKGAP™ to CAD
	Response 5066 { ResultCode=0; ResultText="Message Queued"; GroupSize=892; }

2.3 QueryMessage

The CAD client 20' initiates a QueryMessage transaction to discover present status of a previously sent message. The transaction response provides details about the message status as well as the status of all message recipients.

2.3.1 Request

MessageID (string, mandatory): This value identifies the message to be queried. It preferably must match the MessageID attribute of the SendMessage request that created the message.

2.3.2 Response

The response includes a message status, and a number of member status values in the form of an attribute group, PagerID, PagerName, PagerStatus. These three attributes may appear multiple times in the response to convey the status of multiple pagers in the message's aggregate destination group.

ResultCode (integer, mandatory): This value contains the result code of the transaction. If this value is not zero, then the MessageStatus, PagerID, PagerName, and PagerStatus fields will not be present.

ResultText (string, optional): This value contains a human readable message string describing the result of the transaction.

MessageStatus (integer, mandatory): This value contains the present status of the message, as described in the table below.

PagerID (string, mandatory): This value contains the identification of one pager in the aggregate destination group. The presence of this attribute represents that a corresponding PagerName attribute may follow, and that a PagerStatus attribute will follow. Together, these two or three fields are duplicated for each member of the pager group total pager destination group.

PagerName (string, optional): This value contains the name of the pager user corresponding to the last PagerID value.

PagerStatus (string, mandatory): This value contains the status of the pager user corresponding to the most recent PagerID value in the PDU. PagerStatus values are enumerated in the table below.

PagerStatus and MessageStatus value enumerations are described below:

PagerStatus Values	
Value	Description
"Pending"	The message is pending for transmission.
"Sent"	The message has been sent to the device but not yet acknowledged in any way.
"Received"	The message has been successfully received by the device.
"Read"	The message has been read by the user.
"Answered"	The user has answered the message

14

-continued

MessageStatus Values	
Meaning	Description
"Pending"	The message is pending for transmission.
"Sent"	The message has been transmitted and is open for replies.
"Closed"	The message is closed.

2.3.3 Example

This example illustrates a CAD system client 20', querying for the message 2004. The SPARKGAP™ server 12' returns a MessageStatus of "Sent" to indicate that the message has been sent, and it returns individual deliver status codes on the four members of the group.

CAD to SPARKGAP™	SPARKGAP™ to CAD
request 5067 sendmessage { MessageID="2004"; }	Response 5067 { Result=0; MessageStatus="Sent"; PagerID="229030020"; PagerName="Doe, John"; PagerStatus="Read"; PagerID="229030109"; PagerName="Doe, Jane"; PagerStatus="Sent"; PagerID="229030043" PagerName="Orwell, George"; PagerStatus="Read"; PagerID="229030025"; PagerName="Miller, Mark"; PagerStatus="Answered"; }

3 Events

SDP allows the SPARKGAP™ server 12' to send asynchronous events to the CAD system client 20' to notify it of message activity on the network. SDP includes two events:

3.1 PagerReply

This event informs the CAD system client 20' that a recipient pager 16 has responded in some way to a message. The event contains the following attributes

Timestamp (string, mandatory): This value specifies the time that the SPARKGAP™ server 12' received the information from the pager.

MessageID (string, mandatory): This value identifies the message, matching the MessageID attribute value of the SendMessage request that created the message.

CadEventID (string, mandatory): This field is preferably only present if a CadEventID attribute existed in the SendMessage request that created the message. If it is present, it matches the value in the SendMessage request.

PagerID (string, mandatory): This value contains the identification of the pager issuing the reply.

PagerName (string, optional): This value contains a descriptive name of the pager user.

US 8,199,740 B2

15

UserAlerted (integer, optional): If this attribute is present and its value is non-zero, it means that the message was successfully received by the pager **16** and the user was alerted.

MessageRead (integer, optional): If this attribute is present, it means that the user displayed the message on the pager **16**.

McrValue (integer, optional): If this attribute is present, the user selected a multiple-choice reply value indicated by the value.

McrText (string, optional): If this attribute is present, it contains the actual text of the selected multiple-choice reply.

MessageText (string, optional): If this attribute is present, it contains a manually typed response from the pager.

The PDU preferably will not aggregate events, but rather it will contain either UserAlerted, MessageRead, McrValue (and McrText), or MessageText. It preferably will not contain a combination of these fields. Each distinct pager response will arrive in its own event PDU with its own timestamp value.

In the following example, Pager 229030020 (John Doe) has responded to message 2004 with multiple-choice response number 2.

CAD to SPARKGAP™	SPARKGAP™ to CAD
	<pre> Event PagerResponse { Timestamp="07082004130553EST"; MessageID="2004"; CadEventID="#CTYF041820772"; PagerID="229030020"; PagerName="Doe, John"; UserAlerted=1; MessageRead=1; McrValue=2; McrText="Already On Scene"; } </pre>

3.2 MessageComplete

This event informs the CAD system client **20'** that a message has transitioned to the closed state. The message record will remain in memory **18** for some time, but the system will no longer accept pager responses for it. This event contains the following attributes:

Timestamp (string, mandatory): This value specifies the time that the SPARKGAP™ closed the message.

MessageID (string, mandatory): This value identifies the message, matching the MessageID attribute of the SendMessage request that created the message.

CadEventID (string, mandatory): This value is only present if a CadEventID attribute existed in the original SendMessage request that created the message, and if it is present, it matches the value in the SendMessage request.

In this example, SPARKGAP™ announces that Message 2004 is closed:

CAD to SPARKGAP™	SPARKGAP™ to CAD
	<pre> Event MessageComplete { Timestamp="07082004130553EST"; MessageID="2004"; CadEventID="#CTYF041820772"; } </pre>

16

Result Codes
SDP supports the following result codes:

0	Transaction Completed Successfully
1000	Badly formed PDU
1001	Unknown recognized Request
2000	Invalid User/Password
3000	Message Queue Full - Try Again Later
3001	Unknown MessageID
3002	Unknown DestinationID
3003	Missing Required Attribute

Server or Switch **12**/Mobile Receiver **16** Protocol

A Dispatch/Response Layer will now be described which is a layer above the ReFLEX™ Air Protocol that supports group messaging between a client **20** or **20'** and a mobile device **16** in accordance with the present invention. The SDP and DRL are analogized as book ends in that they operate on either side of a ReFLEX network **14'**.

1. Introduction

The present invention preferably provides for acknowledged group messaging support for the ReFLEX™ protocol. The ReFLEX™ protocol supports personal and information service (IS) messages. Personal messages involve a single recipient, and ReFLEX™ enables the receiving pager to acknowledge reception, notify that the user has read the message, and relay multiple-choice responses from the user. IS messages involve an arbitrary group of recipients sharing common group addresses called an IS addresses. ReFLEX pagers can be configured with one personal address and multiple IS addresses. IS messages are strictly one-way, and ReFLEX™ does not support any response or acknowledgement from the recipient group.

The present invention adds message acknowledgement, message read notification, and multiple-choice response capability to IS messages, creating an infrastructure for reliable multicast messaging within the ReFLEX™ protocol. To this end, the present invention defines a new ALOHA command (Multicast ACK Command), and defines a flag in the 'Change Registration Command' to select which devices are allowed to use this feature.

The Dispatch/Response Layer (DRL) provides efficient and high-performance group and personal messaging over a ReFLEX™ network **14'** between the server **12'** and the user devices or receivers **16**. DRL uses binary IS vectors and multicast ACK commands to deliver dispatch messages to groups of users and receive individual responses. It also provides a simple structure for personal messaging between individuals, and it is designed to operate over the Secure Paging Layer (SPL). SPL is an obvious, open-source encryption standard based on AES. This system **10** or **10'**, however, can be implemented with other encryption methods.

2. Overview

DRL supports both group and personal messages.

2.1 Group Messages

Group Messages are broadcast to a group of one or more pagers **16** using ReFLEX™ IS addresses. A Group Message includes a specially-formatted ReFLEX™ binary message broadcast by the network **14'** to a group of pagers **16**, and a number of ReFLEX™ Multicast ACK Command responses from the pagers **16** back to the network **14'**. This type of message can contain a display message a supervisory command, or both.

2.2 Personal Message

Personal messages are sent between a single pager **16** and the network **14'** using a ReFLEX™ personal address. A Personal Message includes a specially-formatted ReFLEX™

binary message sent from the network to a pager, or a ReFLEX™ long inbound message from the pager to the network. Additionally, pagers may transmit ReFLEX™ ACK Responses, Multiple-Choice Commands, and Transaction Control Commands in response to forward messages.

The present invention provides for acknowledged group messaging support for ReFLEX™ protocol. The Multicast ACK command is a new ALOHA command used by a pager 16 to reply to an IS message. This command's MSN refers not to the device personal address, but instead to an IS address selected from the device codeplug with a 4-bit enumeration field. The 30-bit IS address itself is synchronized between the pager 16 and its home switch or server 12', using means similar to those provided by the open ReFLEX Exchange Protocol (RXP) and the Motorola Generic Over-The-Air Programming Protocol (GOTAP).

The 'Multicast ACK Command' contains a message sequence number (MSN), a 4-bit IS address identifier (ai) and a 7-bit reply identifier (mr). The IS address identifier specifies the IS address programmed into the pager, and MSN identifies the message being replied to, and the reply identified indicates the enumerated reply code.

The Multicast ACK Command reply identifier can specify responses pre-programmed in the pager (codes 0 through 63), responses embedded in the group message (codes 64 through 111), or supervisory messages, as follows:

124	Message received by pager
125	Message received by pager and read by user
126	Message received but could not be decoded
127	Message received with transmission errors

The network 14' responds to the 'MulticastACK Command' with a 'Standard ACK' (Motorola ReFLEX 2.7.3 Specification, Section 3.10.9.2). In order to control where this feature is available (and which devices may use it.), bit d4 of the 'Registration Grant' type 'Change Registration Command' (3.1 0.8.1) is redefined from 'reserved' to RM. An RM value of zero restricts the pager from transmitting the 'MulticastACK Command'. An RM value of one enables the pager to transmit the 'MulticastACK Command.'

On a per-message basis, the RE and RD bits (alphanumeric and binary vectors, respectively) determine whether the Multicast ACK Command may be transmitted for any particular IS message. If RE is 1 (or RD=0), and RM=1 during the last 'Registration Grant' seen by a device 16, then it may transmit 'Multicast ACK Command' packets related to the message. Application protocols (such as Motorola FLEXSuite, and higher-level protocols) will determine which specific 'Multicast ACK Command' are appropriate for the message.

2.3 Device 16 Capabilities and Behavior
2.3.1 Multicast ACK Command

DRL uses ReFLEX™ IS addresses for personal messaging. Compliant DRL Devices 16 preferably support the Multicast ACK Command described above, and they support an additional non-volatile configuration bit for each IS address in their codeplug. This flag is called the or "carbon copy" flag, and it serves to disable Multicast ACK Command responses on the specified IS address. The device 16 preferably supports at least 16 IS addresses and 16 CC bits, which are automatically synchronized over the air using GOTAP or similar means.

2.3.2 Performance

DRL is designed to support public safety, law enforcement, and other applications where timely delivery of personal and

group messages is paramount. DRL devices 16 preferably support ReFLEX™ protocol version 2.7.3 reduced latency operation, in which they will examine each frame for IS or personal messages.

2.3.3 User Interface

DRL messages follow the 'e-mail' model and can include a from-address, a to-address, a subject and a message body. DRL devices 16 include one or more IS addresses configured for DRL group messaging, including a CC flag (set through GOTAP) and a group name (such as 'Ladder46', 'Hazmat', or 'BerkelyEMS⁷') maintained through DRL. Users can select alert options per IS address, using the symbolic name of the address to assist the user in organizing his in-box. Personal messages and group messages can appear in the same mailbox; group addresses preferably display the name of the group as the from address.

3. Message Structure

DRL preferably uses ReFLEX™ long binary messages adhering to the Motorola Route to Alternate Host (RAH) protocol as described in the Motorola *FlexSuite™ of Enabling Protocols Specification Document*. Preferably all DRL messages include a Message Header followed by Message Content.

3.1 Message Header

Headers can include the RAH SIF (0x11) and RAH Address ID (0x2d), followed by a DRL message type, as follows

DRL Message Header		
Field Name	Byte Length	Description
SIF	1	RAH SIF (0x11)
Address ID	1	RAH Address ID (0x2d)
Type	1	DRL Message Type

3.2 Message Content

Content type is identified by the Type field, as follows:

Type	Description
0	Ignore Message
1	Group Message
2	Personal Forward Message
3	Personal Reverse Message
4	Personal Response Message
5-255	Reserved

The message content consists of a sequence of octets following immediately after the Type field of the long message header.

4. Group Message

A Group Message preferably consists of a one-to-many broadcast message with recipient confirmation and reply options. Group alerts are transmitted as ReFLEX™ 1-Way binary IS messages with a DRL Type code of 1.

4.1 Forward Message

The group dispatch message initiates the group dispatch transaction, conveying a display message to a number of pagers. It is a DRL long message transmitted using a ReFLEX™ 1-way personal or IS address, and it contains a 1-byte Control field, and a Display field consisting of a number of null-terminated strings encoded according to the PACK7 format described in Appendix D of the Motorola *FlexSuite™ of Enabling Protocols Specification Document*.

Dispatch Message Content		
Field Name	Byte Length	Description
Control	1	Control Flags
Opcode	1	Execution opcode
Operand	Variable	Execution operand
Display	Variable	NULL-Terminated Display String List.

The Control field specifies how the pager 16 should respond. Opcode and Operand fields specify auxiliary action the device 16 should take in addition to or instead of displaying the message, and the Display field contains the actual display message.

4.1.1 Control Field

The Control field provides guidance on how the pager 16 should respond to the message:

Control Flag Definitions		
Bit	Name	Description
0	AckReceipt	Acknowledge receipt of the message
1	AckRead	Acknowledge reading of the message
2	UseMcr	Provide the user a multiple choice response
3-7	Reserved	Reserved flags (set to zero)

An AckReceipt value of 1 instructs the pager 16 to generate a ReFLEX™ Multicast ACK when the message is received, and an AckRead value of 1 instructs the pager to generate a Multicast ACK when the message is read by the user. A UseMCR value of 1 instructs the pager provide a multiple-choice response list to the user, including responses programmed into the pager as well as responses embedded into the message itself.

4.1.2 Operand/Opcode Field

Opcode and Operand fields specify auxiliary action the device 16 should take in addition to (or instead of) displaying the message. The Opcode field is a one byte value divided into upper and lower 4-bit fields. The upper 4 bits specifies the octet length of Operand, and the lower 4 bits specifies the action to be taken. The lower 4 bits use the following enumerations:

Opcode Values		
Opcode	Operation	Description
0	No Operation	Take no action
1	Assign Name	Assign Group Name to Address
2	Execute	Execute Alerting Sequence
3-15	Reserved	Reserved

4.1.2.1 Opcode '0'—No Operation

This opcode specifies no operation and should be ignored.

4.1.2.2 Opcode '1'—Assign Group Name to Address

This opcode instructs the receiver 16 to assign a symbolic group name to the IS address, which are contained as one character per byte in the next 0-15 bytes. An operand length of zero implies 'no name,' while a length of 1-15 bytes indicate a 1-15 character long name.

4.1.2.3 Opcode '2'—Execute Alerting Sequence

This opcode instructs the receiver to execute a pre-programmed, external alerting sequence, such as a generating a public address tone, closing a relay contact or performing a

sequence of relay closures, or printing the message. The first operand byte specifies the sequence to execute, which defaults to zero if no operand data is present. Operand data bytes 1-15, if present, contain additional parameters specific to the sequence. Devices that do not support this feature should ignore this opcode.

4.1.3 Display Field

The Display field is one continuous Pack7 field containing a list of null-terminated strings. These strings include, in order, the message subject, the message body, and up to 16 optional multiple-choice response strings. The subject and body are displayed to the user, and the response strings are presented as a list.

4.2 Multicast ACK Command Response

Under certain circumstances, the device may respond to the message with one or more Multicast ACK Commands. This behavior depends on 4 factors:

- values of the RD bit in the message vector,
- the Control field of the message,
- the RM value of the last 'Registration Grant' seen by a device, and

the Multicast Ack Enabled flag of the IS address used

If RD=1 and RM=0, or Multicast Ack Enabled=0 then this command must not be used. Otherwise, the command should be sent under the following circumstances:

Upon Message Receipt

If AckReceipt of the Control field is 1, then the device 16 queues a Multicast ACK Command with mr=124 into its transmit queue when it receives a complete, error-free message.

Upon the User Viewing the Message

If AckRead of the Control field is 1, then the device 16 queues a Multicast ACK Command with mr=125 into its transmit queue when it receives a complete, error-free message.

Upon the User Selecting a Reply

If UseMcr of the Control field is 1, then the device 16 gives the user the option to select a reply string from an aggregated list including the replies programmed into the device and the replies embedded in the Display field. If the user selects a string, then the device 16 queues a Multicast ACK Command with mr=[0,111] into its transmit queue. Codes 0-63 are reserved for responses programmed in the pager, and codes 64-111 are reserved for any response strings in the Display field. The user may respond to the message multiple times.

Subsequent Multicast ACK Commands associated with the same message can be optimized, and some of them can be overlooked without loss of information. For instance, an mr of 125 or an mr in the [0,111] range implies that the message has been received and viewed. Depending on how fast the user reads and/or responds to a message, and depending on the ALOHA randomization interval of the system, the pager 16 may be able to skip transmission of Multicast ACK Response commands with mr values of 124 and 125 and simply transmit the multiple-choice reply code [0,111]. When possible, this is desirable in order to reduce congestion of the return channel.

5. Personal Message

A Personal Message is a human-readable message carried from one point to another. Personal Forward Messages are sent by the network 14' to one pager 16, and Personal Reverse Messages are sent by the pager 16 to the network 14'. The DRL model for Personal Messages is similar to an abbreviated version of SMTP.

US 8,199,740 B2

21

5.1 Personal Forward Message

A Personal Forward Message is transmitted by the network 14' to the pager 16. It contains Display field consisting of a number of null-terminated strings in FlexSuite Pack7 format.

This message type can be delivered as a one-way or two-way long binary message to single pager 16, with acknowledgement, read response, and multiple-choice replies transmitted back using the ReFLEX™ signaling layer. Display contains an ordered list of strings: a from-address, a subject, a body, and an optional list of multiple-choice replies.

5.2 Personal Reverse Message

A Personal Reverse Message is transmitted by the pager 16 to the network 14'. It contains Display field consisting of a number of null-terminated strings in FlexSuite Pack7 format.

This message is delivered as a ReFLEX™ long inbound binary message. Display contains an ordered list of strings: a to-address, a subject, and a body.

Exemplary Tactical Alerting System

ReFLEX pagers are not fixed on a single channel for service, but rather scan continuously for a better, stronger, or more appropriate signal to serve them. This background scanning facilitates the present invention since it is this ability that allows these devices to seek out the correct channel for temporary use at the scene of an event.

In accordance with an exemplary embodiment of the present invention, a pager 16 is provided as shown in FIGS. 6, 9A, 9B and 10. With reference to FIG. 6, the pager 16 comprises a processor 38 programmed to implement the DRL, among other operations, a memory 36 for storing, for example, group configuration information, a display 44 and an interface 40 to the network 14. The pager 16 can be connected directly to a user interface 42 for facilitating customization of the group configuration information, for example, to allow the pager 16 to respond differently to messages directed to different group addresses. As shown in FIGS. 9A and 9B, the pager 16 has a display for displaying different screens and different options thereon. For example, the main screen shown on the display 44 in FIG. 9A indicates time and date and a menu listing such options as "VIEW RECEIVED MSGS", "VIEW TRANSMITTED MSGS", "SEND A MESSAGE" and "SERVICE SETTINGS". As shown in FIG. 9B, the pager 16 can be provided with a charger console 100 which can also have an input to the user interface 42. As shown in FIG. 10, the pager 16 can be provided with a QWERTY keypad 102, among other buttons and controls.

The pager 16 can be used by responding personnel on a day-to-day basis as a wide-area alerting device, but also as a tactical alerting device at the scene of an incident. The pager preferably operates on any programmed ReFLEX™ 2.7.x network. If an on-scene SPARKGAP™ (for instance, mounted into a mobile communications center) is operating with its own base station and an RXP connection to the wide area system, the pager 16 can register with the on-scene SPARKGAP™ when the responder arrives. When the pager 16 arrives at the site of an event with an established on-scene network such as the switch 12' (e.g., the SPARKGAP™ server), the pager 16 automatically finds this system 10, switches to the proper channel, and registers. As long as that pager 16 is in the coverage area of the on-scene SPARKGAP™ server 12', it will be a part of the community of pagers 16 receiving messages from the command post for that particular occurrence. Once the on-scene network is shutdown, or the responder leaves the coverage area, the pager 16 will re-register on the wide-area system.

The on-scene SPARKGAP™, and pagers, can be pre-loaded with one or more IS addresses reserved for tactical alerting. Incident commanders can send messages to these IS

22

addresses to notify users on-scene of impending tactical issues, such as imminent structural failure or impending chemical release. In addition to the ability to automatically find the channel being used at the scene of a major event, the pager 16 is also equipped with louder than normal (>85 dB at 30 cm) alerting tone and strong vibrator to ensure the user is aware of an incoming message. With appropriate configuration, tactical alert messages can be sent to specific groups of user, or to all users on scene. Additionally, AES encryption is available to prevent inappropriate interception of tactical alerts.

Because the on-scene system is connected by RXP to the wide-area network, pagers also continue to send and receive normal personal and group messages from the wide area system. However, the pager can be configured with unique alert tones to allow personnel to recognize incoming tactical messages, and the on-scene SPARKGAP can even temporarily configure local devices so that they only alert the user when tactical messages are received.

Modern wide-area paging networks utilize the 900 MHz band of radio spectrum. Some of these channels are dedicated to the NPCS Radio Service (FCC Part 24) and others are found in Business and Industrial Radio Service (FCC Part 90) making them available to a wide range of system operators. The pager 16 uses frequencies in either or both of these channel segments based on programming within the paging device itself.

When a major public safety event occurs, it is normal for the involved agencies to establish a command post at or near the scene of the event. Many times this is a motor home-style vehicle equipped to resemble a control room with banks of computers, radios and a meeting area used for staff briefings. As a critical part of this command post, a SPARKGAP™ server 12' can be installed to control the ReFLEX™ paging devices 16 carried to the scene by various responders. Once this system 10' (FIG. 4) is activated, pagers 16 that are pre-programmed with the on-scene channels would lock onto the network at the scene and check in. A display of all registered paging devices could be used to monitor the presence of personnel as they arrive.

If it was necessary to call a general evacuation of the scene, this message would be sent via the server 12' and each device 16 would acknowledge receipt and reading of the message. Paging allows the message to be sent to multiple users at the same time. The site command personnel would have an instant view of those who did not respond to the alert and could take immediate alternative action to get the message to them.

In this way, paging is analogous to an electronic equivalent of a lifeline attached to each person at the scene. Notifying them to evacuate by sending an alert message would be like pulling on that line and getting a tug as a response. The structure of a paging network provides the highest efficiency when it comes to alerting multiple users to an important message. And more importantly, the system 10 or 10' of the present invention gives the incident commander a confirmed indication that the message was received and read by the personnel to whom it was sent.

It will be appreciated by those skilled in the art that the present invention can be embodied in other specific forms without departing from the spirit or essential characteristics thereof. The presently disclosed embodiments are therefore considered in all respects to be illustrative and not restricted. The scope of the invention is indicated by the appended claims rather than the foregoing description and all changes that come within the meaning and range and equivalence thereof are intended to be embraced therein.

US 8,199,740 B2

23

What is claimed is:

1. A method of alerting a group of recipients over a wireless network and providing acknowledged group messaging, each recipient comprising a mobile device capable of transmitting and receiving data, the method comprising the steps of:

storing data relating to recipients, groups and group members, in a memory device, the data comprising a device-specific identifying address for each of a plurality of recipients, one or more group-specific addresses corresponding to each of respective groups of recipients, the groups each comprising selected ones of the plurality of recipients, and group membership data comprising the device-specific identifying addresses of the selected recipients corresponding to each of the group-specific addresses;

providing the mobile device corresponding to each of the plurality of recipients with at least a subset of the data stored in the memory device, the at least a subset of the data being stored in the mobile device and comprising its corresponding device-specific identifying address and the group-specific address of each group to which that recipient belongs as a group member;

wirelessly broadcasting a group message addressed to a selected one of the group addresses, each of the mobile devices being configured to receive the broadcast group message, to analyze a group-specific address provided with the group message, and send a response when the group-specific address in the group message is determined to be for a group to which that mobile device belongs;

monitoring for responses to the group message from the group members of the group identified by a group-specific address provided in the group message; and

storing acknowledgement data in the memory device for each of the group members, the acknowledgement data comprising a listing of each of the group members and an indication of response for each of the group members, the indication of response comprising at least one of an indication of no response when that group member has not yet responded to the group message, and an indication of response when a response sent by the mobile device of that group member has been received.

2. A method as claimed in claim 1, wherein at least one of providing and synchronizing are performed using wireless communication to the mobile devices.

3. A method as claimed in 1, wherein the mobile devices transmit their responses wirelessly.

4. A method as claimed in 1, wherein the group message is sent using at least one of paging communications, cellular communications, two-way radio communications, wireless local-area network employing IEEE 802.11 standard for "Wi-Fi", wireless metropolitan-area network employing IEEE 802.16 standard for "WiMAX", wireless area network employing IEEE 802 standard communications, wireless broadband network, and wireless network.

5. A method as claimed in 1, wherein the responses are sent using at least one of paging communications, cellular communications, two-way radio communications, wireless local-area network employing IEEE 802.11 standard for wireless metropolitan-area network employing IEEE 802.16 standard for "WiMAX", wireless area network employing IEEE 802 standard communications, wireless broadband network, and wireless network.

6. A method as claimed in 1, wherein the group message has a message identifier and the responses comprise the message identifier to facilitate associating responses to corresponding group message.

24

7. A method as claimed in 1, wherein the response comprises at least one of message received indicator, message read indicator, a reply selected from among multiple choice options, and an alphanumeric text reply entered by the recipient via the mobile device.

8. A method as claimed in 1, wherein at least one of the recipients is a group member of the group identified in the broadcast group message and has a carbon copy flag, and further comprising sending a response when the carbon copy flag is set to false.

9. A method as claimed in 1, wherein at least one of the recipients is a group member of the group identified in the broadcast group message and has a carbon copy flag set to true, further comprising displaying the message and not sending a response.

10. A method as claimed in 1, further comprising:

updating at least one of the device-specific identifying addresses, the group-specific addresses and the group membership data stored in the memory device whenever a recipient, group or group member is added or deleted; and

synchronizing data stored in each mobile device with the data stored in the memory device.

11. A deterministic group messaging system providing acknowledged group messaging comprising:

a memory device configured to store

a device-specific identifying address for each of a plurality of responder devices,

a group-specific address corresponding to each of respective groups of responder devices, the groups of responder devices each comprising selected ones of the plurality of responder devices, and

group membership data comprising the device-specific identifying addresses of the selected responder devices to each of the group-specific addresses

wherein each of the plurality of responder devices is provided with at least a subset of the data stored in the memory device, the at least a subset of data being stored in the responder device and comprising its corresponding device-specific identifying address and the group-specific address of each group to which that responder device belongs as a group member; and

a control module comprising a processing device that is configured to access the memory device and is programmed to

wirelessly broadcast a group message addressed to a selected one of the group addresses, each of the responder devices being configured to receive the broadcast group message, to analyze a group-specific address provided with the group message, and send a response when the group-specific address in the group message is determined to be for a group to which that responder device belongs,

monitor for responses to the group message from the group members of the group identified by a group-specific address provided in the group message, and

store acknowledgement data in the memory device for each of the group members, the acknowledgement data comprising a listing of each of the group members and an indication of response for each of the group members, the indication of response comprising at least one of an indication of no response when that group member has not yet responded to the group message, and an indication of response when a response sent by the responder device of that group member has been received.

US 8,199,740 B2

25

12. A system as claimed in claim 11, wherein the control module is configured to provide each of the plurality of responder devices with at least a subset of the data stored in the memory device using wireless communication to the responder devices.

13. A system as claimed in 11, wherein the responder devices transmit their responses wirelessly.

14. A system as claimed in 11, wherein the group message is sent using at least one of paging communications, cellular communications, two-way radio communications, wireless local-area network employing IEEE 802.11 standard for "Wi-Fi", wireless metropolitan-area network employing IEEE 802.16 standard for "WiMAX", wireless area network employing IEEE 802 standard communications, wireless broadband network, and a wireless network.

15. A system as claimed in 11, wherein the responses are sent using at least one of paging communications, cellular communications, two-way radio communications, wireless local-area network employing IEEE 802.11 standard for "Wi-Fi", wireless metropolitan-area network employing IEEE 802.16 standard for "WiMAX", wireless area network employing IEEE 802 standard communications, wireless broadband network, and wireless network.

16. A system as claimed in 11, wherein the group message has a message identifier and the responses comprise the message identifier to facilitate associating responses to corresponding group message.

17. A system as claimed in 11, wherein the response comprises at least one of message received indicator, message

26

read indicator, a reply selected from among multiple choice options, and an alphanumeric text message entered by a user of the responder device.

18. A system as claimed in 11, wherein at least one of the responder devices is a group member of the group identified in the broadcast group message and has a carbon copy flag, and further comprising sending a response when the carbon copy flag is set to false.

19. A system as claimed in 11, wherein at least one of the responder devices is a group member of the group identified in the broadcast group message and has a carbon copy flag set to true, further comprising displaying the message and not sending a response.

20. A system as claimed in 11, wherein the control module is further configured to update at least one of the device-specific identifying addresses, the group-specific addresses and the group membership data stored in the memory device whenever a recipient, group or group member is added or deleted, and synchronize data stored in each responder with the data stored in the memory device.

21. A system as claimed in claim 20, wherein the control module is configured to synchronize data stored in each responder with the data stored in the memory device using wireless communication to the responder devices.

* * * * *

EXHIBIT C

(12) **United States Patent**
Dabbs, III et al.

(10) **Patent No.:** **US 8,588,207 B2**
(45) **Date of Patent:** **Nov. 19, 2013**

(54) **METHOD AND APPARATUS FOR EFFICIENT AND DETERMINISTIC GROUP ALERTING**

(75) Inventors: **James M. Dabbs, III**, Stockbridge, GA (US); **Brian Claise**, Alpharetta, GA (US)

(73) Assignee: **Critical Holdings, Inc.**, Norcross, GA (US)

(*) Notice: Subject to any disclaimer, the term of this patent is extended or adjusted under 35 U.S.C. 154(b) by 0 days.

6,304,649	B1	10/2001	Lauzon et al.
6,529,735	B1	3/2003	De Brito
6,710,702	B1	3/2004	Averbuch et al.
6,714,636	B1	3/2004	Baiyor et al.
6,804,332	B1	10/2004	Miner et al.
7,337,146	B2	2/2008	Heelan et al.
7,657,253	B2	2/2010	Lewis
7,808,378	B2	10/2010	Hayden
2001/0010490	A1	8/2001	Bellin
2002/0177428	A1	11/2002	Menard et al.
2003/0153343	A1	8/2003	Crockett et al.
2004/0087300	A1	5/2004	Lewis
2004/0180654	A1	9/2004	Chen

(Continued)

(21) Appl. No.: **13/476,641**

(22) Filed: **May 21, 2012**

(65) **Prior Publication Data**

US 2012/0327781 A1 Dec. 27, 2012

Related U.S. Application Data

(63) Continuation of application No. 13/154,138, filed on Jun. 6, 2011, now Pat. No. 8,199,740, which is a continuation of application No. 11/303,025, filed on Dec. 16, 2005, now Pat. No. 7,969,959.

(60) Provisional application No. 60/636,094, filed on Dec. 16, 2004.

(51) **Int. Cl.**
H04W 24/00 (2009.01)

(52) **U.S. Cl.**
USPC **370/349**; 455/410

(58) **Field of Classification Search**
USPC 455/404.1, 410; 370/310, 349, 390, 370/442, 445, 539.1
See application file for complete search history.

(56) **References Cited**

U.S. PATENT DOCUMENTS

5,278,539	A	1/1994	Lauterbach et al.
5,835,860	A	11/1998	Diachina

OTHER PUBLICATIONS

M 1520, Product Brochure, Critical Response Systems™, Copyright 2005, 2 pages, www.critresp.com.

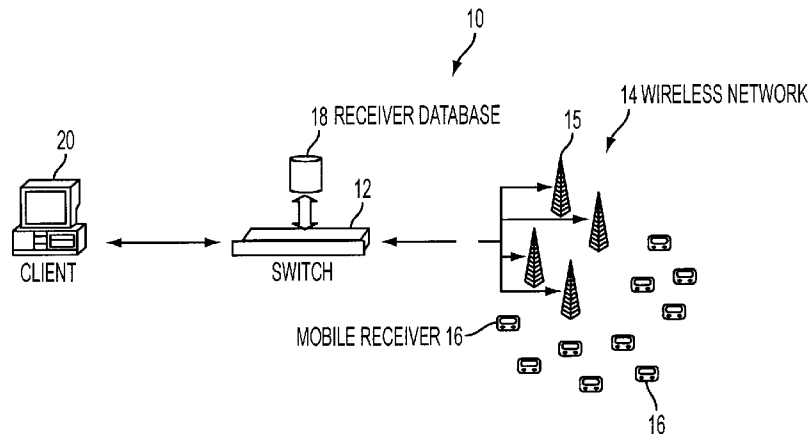
(Continued)

Primary Examiner — Sam Bhattacharya
(74) *Attorney, Agent, or Firm* — Royslance, Abrams, Berdo & Goodman, LLP

(57) **ABSTRACT**

Systems and methods are provided for reliable, wireless group alerting in a system having a database, switch, wireless network, and a plurality of intelligent mobile receivers, and preferably employing a modified two-way paging based on ReFLEX™ protocol information service (IS) messages and a novel ALOHA command for multicast acknowledgement from mobile receivers. An encrypted message is broadcast to and received by a selected number of the mobile receivers. The network replies to the sender with detailed information about the individual members in the alert group. Each of the mobile receivers in the group then acknowledges the common message back to the system, decrypts the message, displays it to the user, and allows the user to respond. The system employs centralized management to simplify the roles of the mobile users and administrators, minimizing configuration and operational human errors that would otherwise result in confusion or lost messages.

13 Claims, 7 Drawing Sheets



US 8,588,207 B2

Page 2

(56)

References Cited

2010/0146057 A1 6/2010 Abu-Hakima et al.

U.S. PATENT DOCUMENTS

2005/0157720 A1 7/2005 Chandhok et al.
2005/0198183 A1 9/2005 Zilliacus et al.
2006/0105740 A1 5/2006 Puranik
2006/0178128 A1 8/2006 Eaton et al.
2006/0273893 A1 12/2006 Warner

OTHER PUBLICATIONS

M 1501, Product Brochure, Critical Response Systems™, Copyright 2005, 3 pages, www.critresp.com.
“Mobile Data and Paging for First Responders”, Sparkgap™. Copyright 2004, 2 pages, www.tga.com.

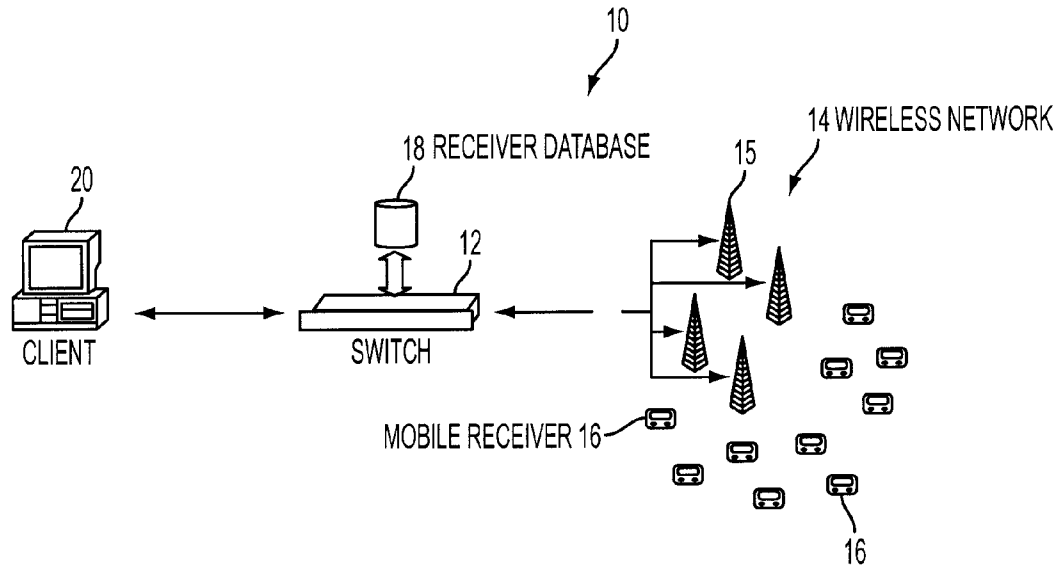


FIG. 1

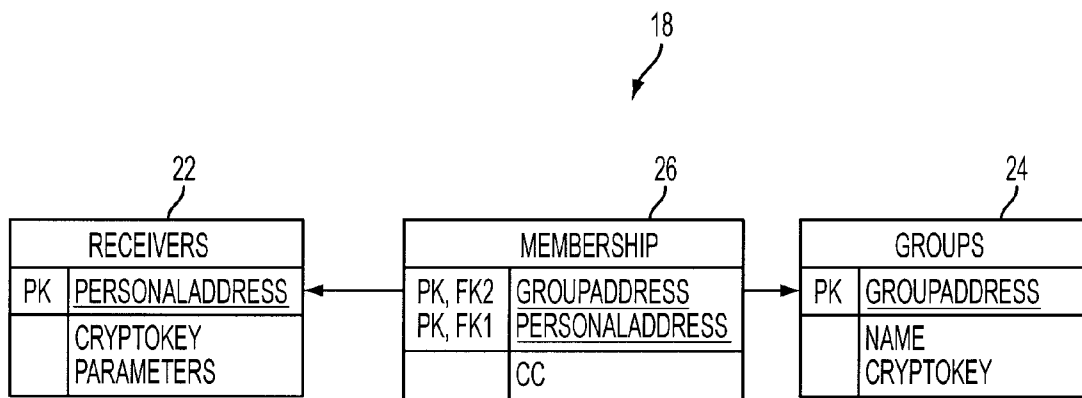


FIG. 2

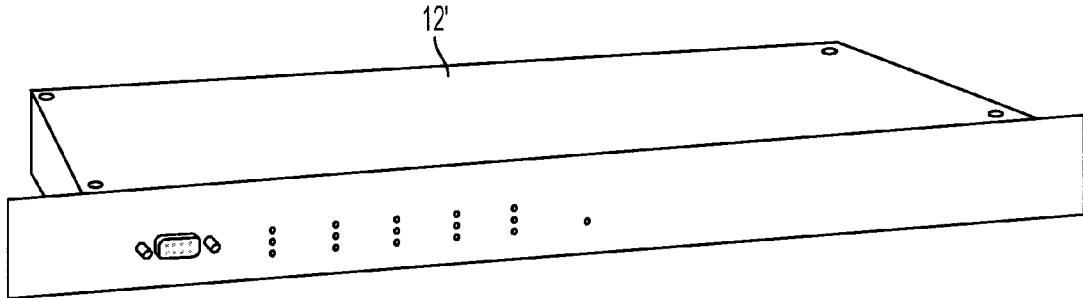


FIG. 3

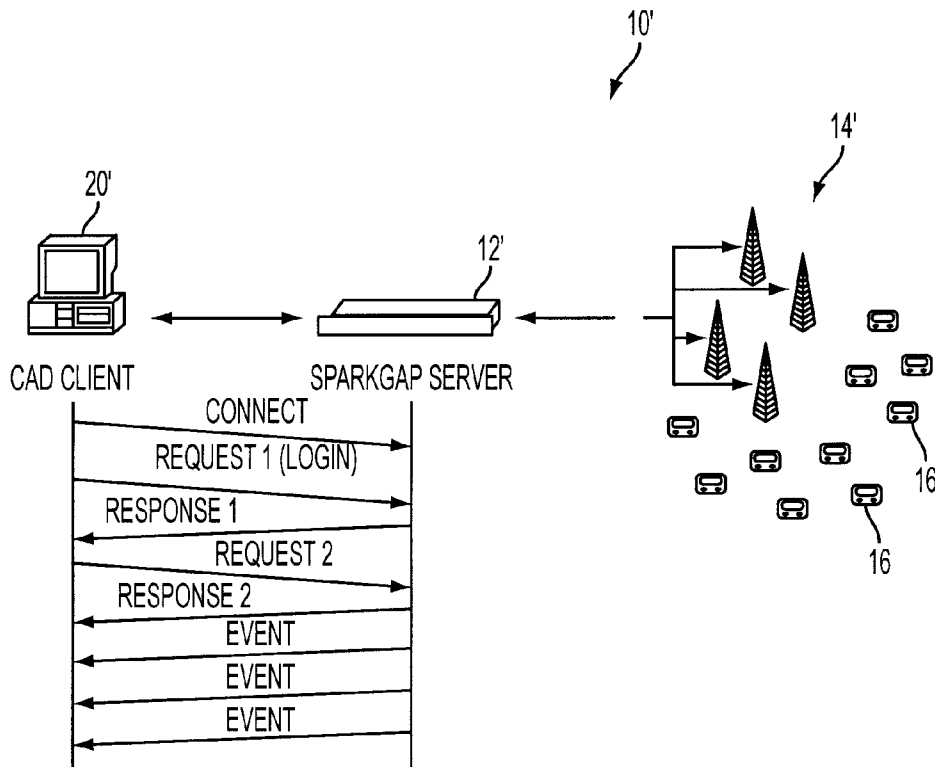


FIG. 4

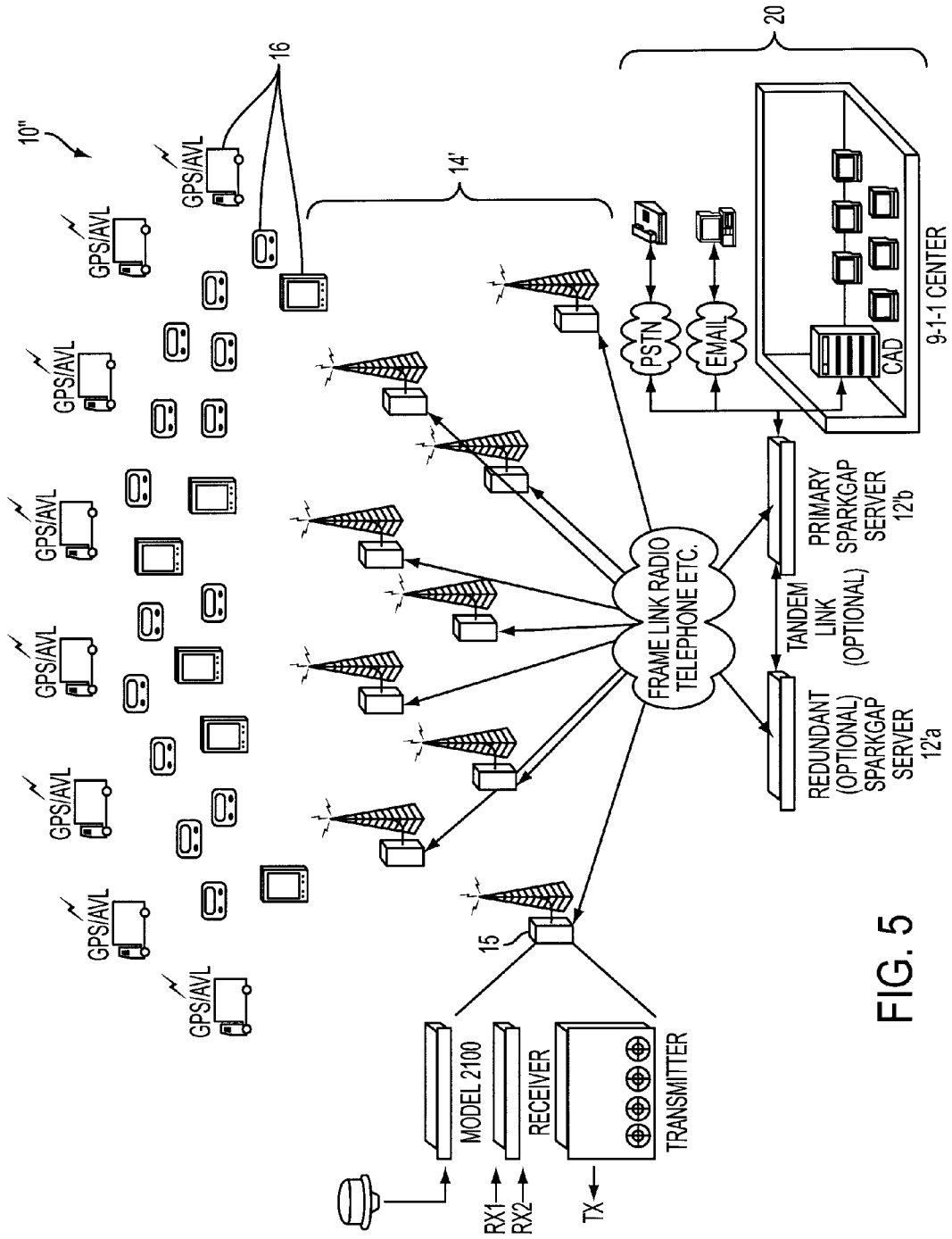


FIG. 5

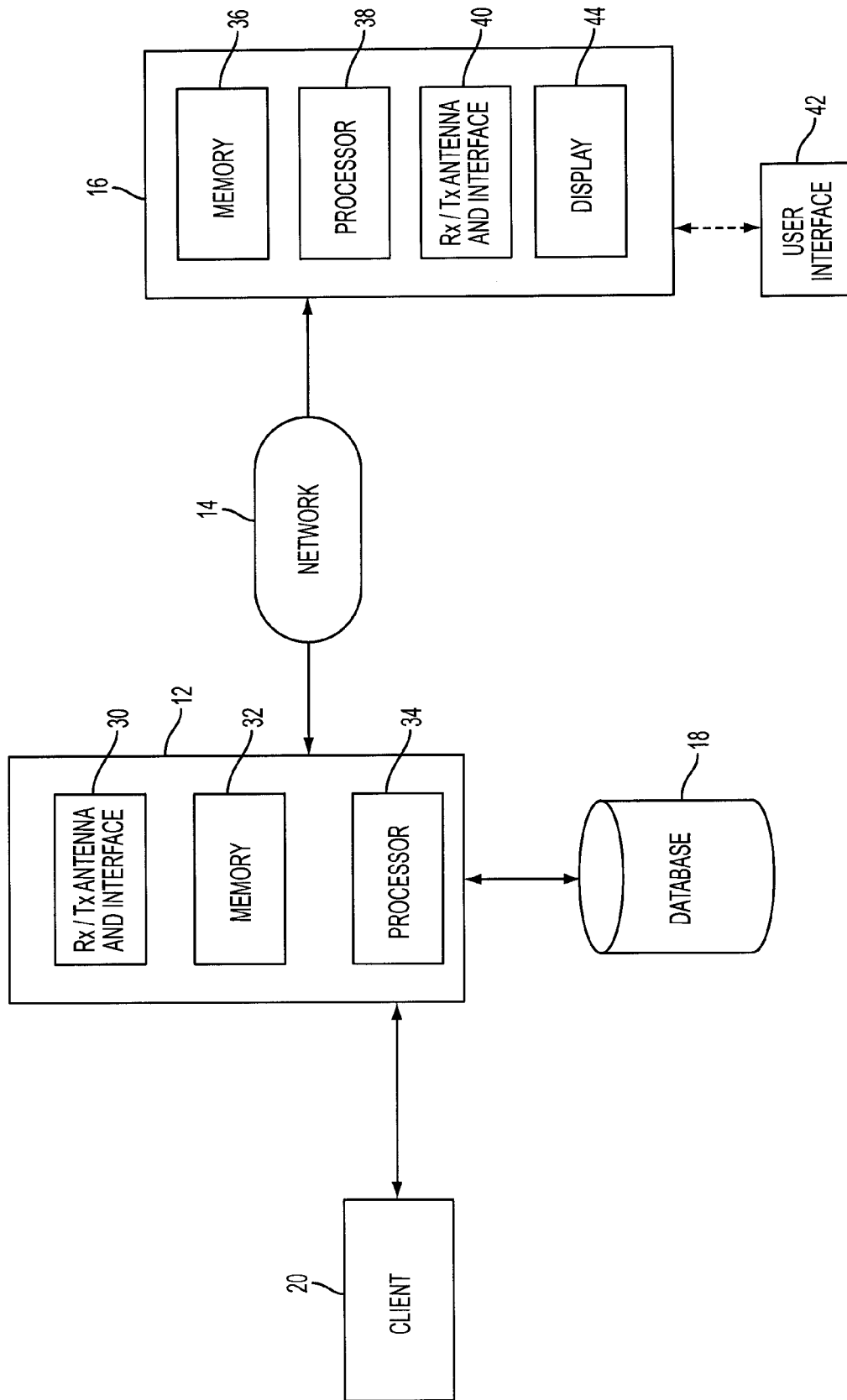


FIG. 6

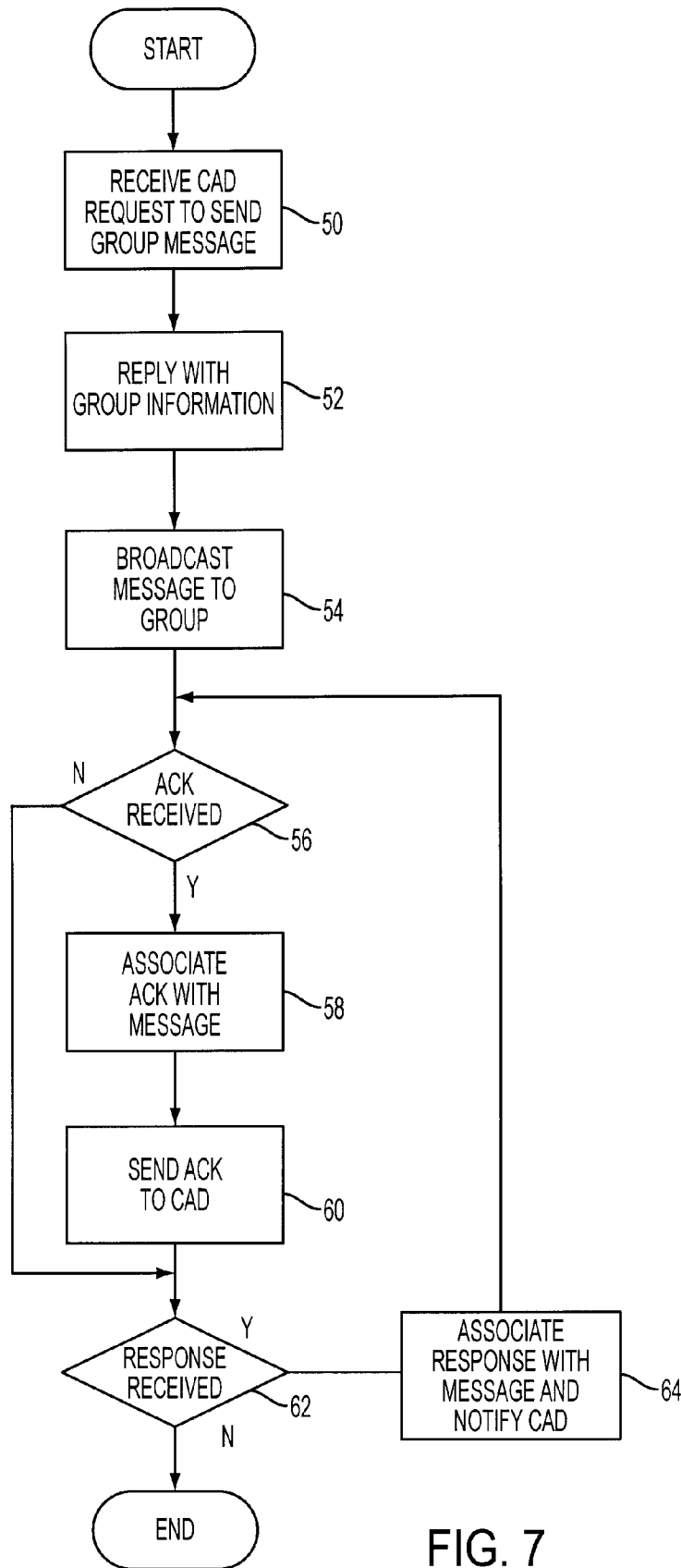


FIG. 7

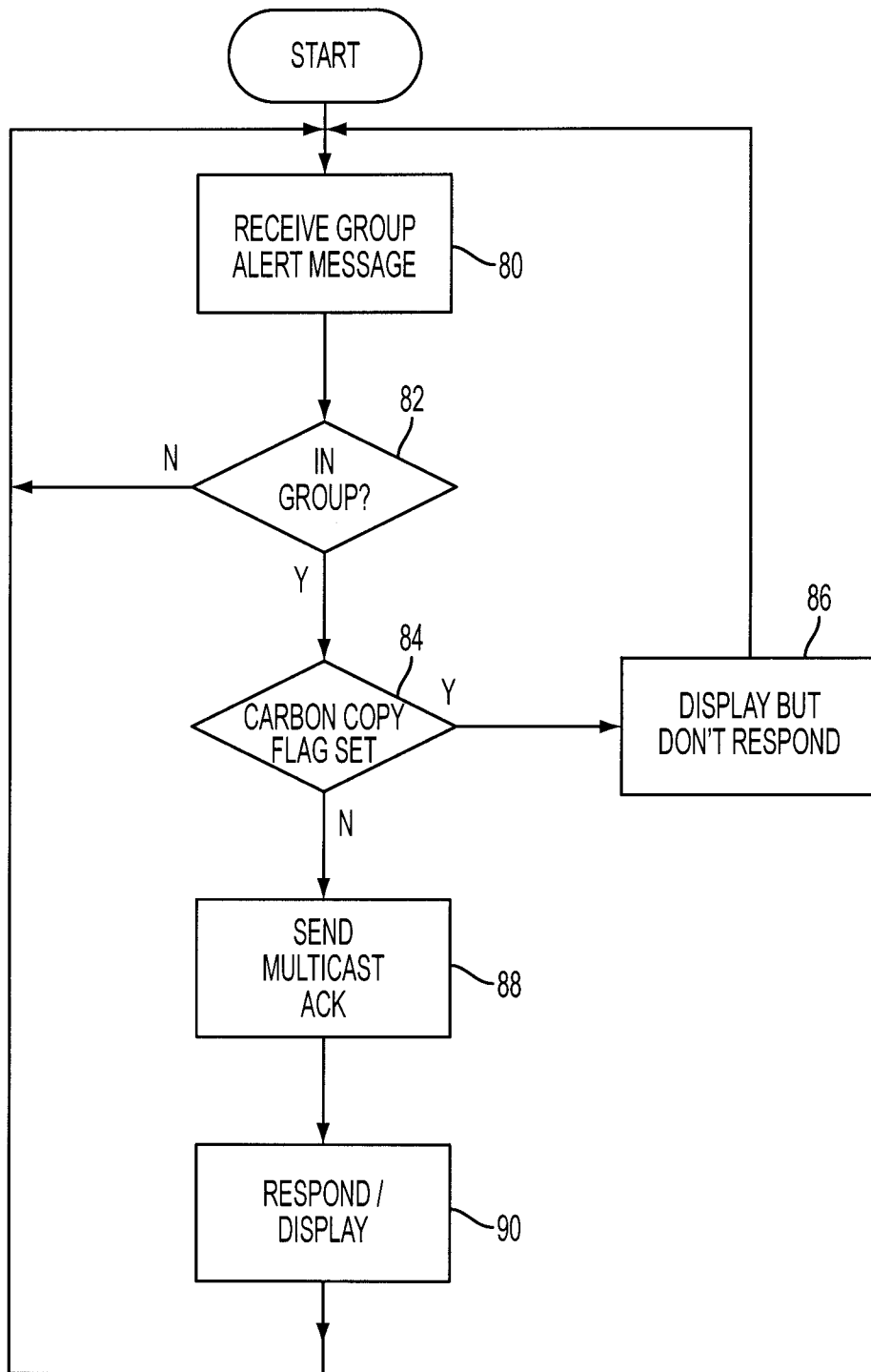


FIG. 8

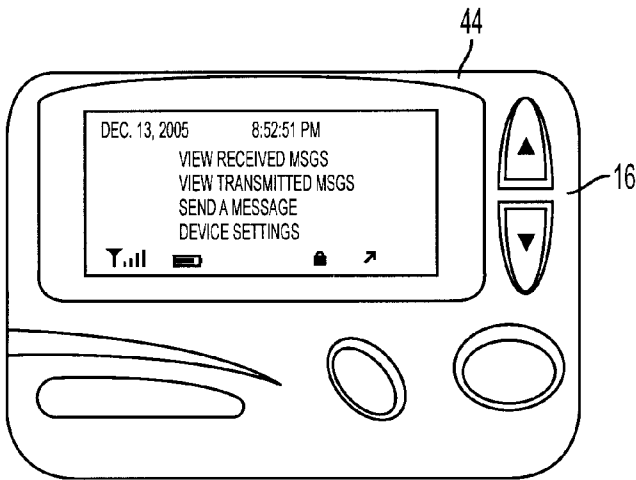


FIG. 9A

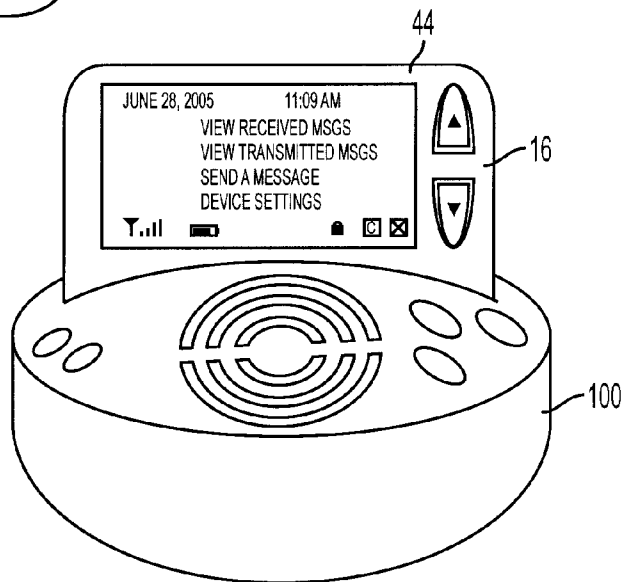


FIG. 9B

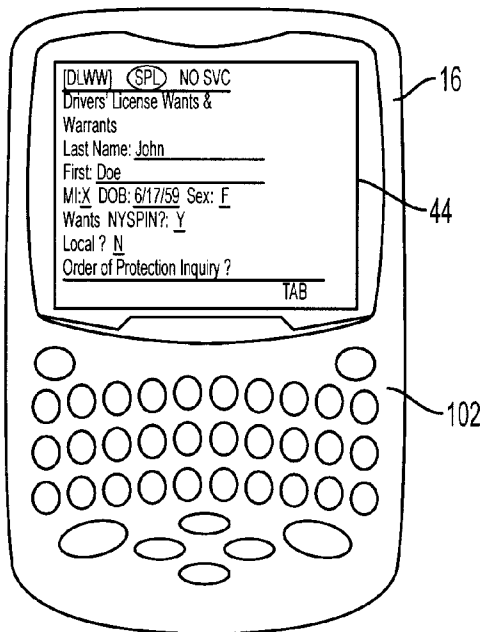


FIG. 10

US 8,588,207 B2

1

METHOD AND APPARATUS FOR EFFICIENT AND DETERMINISTIC GROUP ALERTING

This patent application is a continuation of U.S. patent application Ser. No. 13/154,138, filed Jun. 6, 2011, now U.S. Pat. No. 8,199,740, which is a continuation of U.S. patent application Ser. No. 11/303,025, filed Dec. 16, 2005 now issued as U.S. Pat. No. 7,969,959, which claims the benefit of U.S. provisional application Ser. No. 60/636,094, filed Dec. 16, 2004, the entire disclosures of which are incorporated herein by reference.

BACKGROUND OF THE INVENTION

The ability to alert and mobilize first responders is central to the readiness of any public safety agency. In the aftermath of recent major public safety events, including natural and man-made disasters, the public safety community has thoroughly examined all aspects of wireless interoperable voice communications. However, first responder alerting has remained largely unexamined for over a decade, and in communities relying on volunteer first responders, the critical importance of first responder alerting rivals that of interoperable voice communications.

Shortcomings with current alerting technologies are well documented in the public record. One analysis of communication failure during periods of profound crisis, the *Arlington County After-Action Report on the Response to the September 11 Terrorist attack on the Pentagon* available from Arlington County, Virginia, notes failures in all forms of communications, from initial alerting to tactical voice communication. As stated in this report, during the events of Sep. 11, 2001, radio channels became oversaturated, and interoperability problems among jurisdictions and agencies persisted throughout the entire response process. Otherwise compatible portable radios were preprogrammed in a manner that precluded interoperability. Cellular telephone systems and even the public switched telephone network (PSTN) became congested and unusable.

This report cited traditional, 1-way paging systems as the most reliable method of alerting and notification. However, the lack of a paging response channel left responders relying on other, less reliable forms of communication to escalate, reply to, or even confirm receipt of their instructions. These problems with cellular telephone networks and the PSTN limited the overall effectiveness of 1-way paging as an alerting system. This created serious operational challenges during the Sep. 11, 2001 series of events, and they will create similar problems in any such future events.

Even during day-to-day public safety activity, these alerting system limitations are problematic. In most cases, when volunteer groups are alerted by pager, incident commanders do not know who will actually respond until personnel begin to arrive on scene. This delay postpones decisions regarding escalation and mutual aid, letting critical time slip by before commanders can identify and correct problems with the response. This time period can define the success or failure of the response process, presenting a critical need for simple, inexpensive, pager-type devices that can reply to group messages.

However, public safety agencies still rely on 25-year old, 1-way paging technology as their core alerting solution. Many newer technologies are available, but for alerting, for a variety of reasons, these technologies do not provide a meaningful improvement over 1-way paging. Existing mobile data systems are too expensive and too bulky for continual personal use. Digital and analog 2-way voice systems are simi-

2

larly impractical for widespread, continuous deployment to volunteer forces. Several contemporary PCS technologies have integrated voice, data, and paging, but their complete dependence on commercial networks runs counter to commonly accepted reliability standards (e.g., NFPA-1221). Private broadband solutions (such as IEEE 802.11 and 802.16) provide high-capacity data capabilities, but they lack the coverage, portability, and resilience required for wide-area alerting of large volunteer forces. Contemporary 2-way paging systems perhaps come closest to meeting the alerting needs of public safety agencies. Like 1-way systems, these pagers are small, inexpensive devices that operate for long periods on battery power. However, these systems have no ability to acknowledge group messages.

More importantly, beyond the limitations described above, none of these systems provide a network interface sufficient to support acknowledged group messaging. Requiring that the message originator individually alert each recipient adds considerable setup delay when alerting large groups. This delay is eliminated when using network-supported call group or common address messages, but the message originator must have prior knowledge of group membership. If a message originator does not know the membership of the paged group, there is no context to know whether enough manpower is responding, or whether key individuals have been mobilized. Manually maintaining accurate group membership rosters between networks and message originators would be impractical since this is time consuming, difficult, and prone to errors. For a communications system to provide usable, acknowledged group alerting capabilities to public safety agencies, the network interface must provide group membership details when the group message is sent. Even if the mobile devices were capable of acknowledging group messages, current systems do not provide message originators this membership information regarding the alerted group. Simply guaranteeing that a message will be eventually delivered to all recipients is insufficient for public safety alerting applications. The message originator (dispatcher, incident commander, etc.) needs immediate feedback as to who has been alerted and how they have replied, as well as information concerning those who cannot be reached.

A need therefore exists for a 2-way paging system that could be improved with group message acknowledgement and a suitable system interface. Such a system would address the current shortcomings of public safety alerting systems, and could also provide other benefits. For instance, it could act as an improved personnel accountability system (PAS) for on-scene communications. Incident commanders could instantly notify responders of imminent threats, such as impending chemical release or structure failure, and verify receipt by all personnel. Responses could be expanded to include location information and health or equipment status information. Such systems, made practical because of the high performance and low cost of 2-way pagers, would both obviate traditional problems with interoperable on-scene communications and enable central oversight of critical real-time safety data.

While public safety's need for a system capable of acknowledged group alerting system is clear and well documented in the public record, no such system yet exists but for the present invention described herein.

SUMMARY OF THE INVENTION

The above-described deficiencies in the prior art are overcome and a number of advantages are realized by the present invention. In accordance with an aspect of the present inven-

US 8,588,207 B2

3

tion, a method of efficient and deterministic alerting of a group of recipients over a wireless network is provided. Each recipient comprises at least one mobile device capable of transmitting and receiving data. The method comprises the steps of: storing data relating to recipients, groups and group members, in a memory device, the data comprising a recipient identifier for each of a plurality of recipients, one or more group identifiers corresponding to each of respective groups of recipients, the groups each comprising selected ones of the plurality of recipients, and group membership data comprising the recipient identifiers of the selected recipients corresponding to each of the group identifiers; providing the mobile device corresponding to each of the plurality of recipients with at least a subset of the data stored in the memory device, the subset of the data being stored in the mobile device and comprising its corresponding recipient identifier and the group identifier of each group to which that recipient belongs as a group member; wirelessly broadcasting a group message addressed with a selected one of the group identifiers, each of the mobile devices being configured to receive the broadcast group message, to analyze a group identifier provided with the group message, and send a response when the group identifier in the group message is determined to be for a group to which that mobile device belongs; monitoring for responses to the group message from the group members of the group identified by a group identifier provided in the group message; and storing acknowledgement data in the memory device for each of the group members, the acknowledgement data comprising a listing of each of the group members and an indication of response for each of the group members, the indication of response comprising at least one of an indication of no response when that group member has not yet responded to the group message, and an indication of response when a response sent by the mobile device of that group member has been received.

BRIEF DESCRIPTION OF THE DRAWINGS

The present invention can be further understood with reference to the following description and the appended drawings, wherein like elements are provided with the same reference numerals:

FIG. 1 is a diagram of a group alerting system constructed in accordance with an exemplary embodiment of the present invention;

FIG. 2 is a diagram of a database used in a group alerting system constructed in accordance with an exemplary embodiment of the present invention;

FIG. 3 is an isometric view of a switch or server used in a group alerting system constructed in accordance with an exemplary embodiment of the present invention;

FIG. 4 is a diagram of communication between a client and a server used in a group alerting system constructed in accordance with an exemplary embodiment of the present invention;

FIG. 5 is a diagram of a group alerting system constructed in accordance with an exemplary embodiment of the present invention;

FIG. 6 is a block diagram of a group alerting system constructed in accordance with an exemplary embodiment of the present invention;

FIG. 7 is a flow chart illustrating a sequence of operations for broadcasting a group message and group message acknowledgment in accordance with an exemplary embodiment of the present invention;

FIG. 8 is a flow chart illustrating a sequence of operations for receiving, acknowledging and processing group message

4

at a mobile receiver in accordance with an exemplary embodiment of the present invention; and

FIGS. 9A, 9B and 10 are views of mobile receivers constructed in accordance with exemplary embodiments of the present invention.

DETAILED DESCRIPTION OF THE EXEMPLARY EMBODIMENTS

Overview

In accordance with the present invention, a system and method are provided for reliable, wireless group alerting in a system that comprises a database, switch, wireless network, and a plurality of intelligent mobile receivers, and employs a modified two-way paging protocol based on group messaging capability of the Motorola ReFLEX™ protocol and a novel ALOHA command for multicast acknowledgement (ACK) from mobile receivers. An encrypted message is broadcast to a group address. This message is received by a number of mobile receivers, each of which then acknowledges back to the system, decrypts the message, displays it to the user, and allows the user to respond, if they belong to the group address. The system employs centralized management to simplify the role of the mobile users and administrators, minimizing configuration and operational human errors that would otherwise result in confusion or lost messages. It also employs novel mechanisms to compress the responses from the receivers to use minimal airtime. The system is particularly relevant to public safety and critical infrastructure operators, where large group dispatches must be delivered quickly and deterministically to a heavily distracted mobile workforce, and their responses must be delivered to the dispatch center efficiently. As such, this system provides a comprehensive, meaningful solution to support distracted users with simple, resilient group messaging. It is to be understood that, while an exemplary embodiment is described herein that uses paging technology, the present invention can also be implemented using a cellular system, a wireless local area network or more specifically WiFi, or other wireless communication technology.

In accordance with an exemplary embodiment of the present invention, a system for group alerting employs a SPARKGAP™ network which utilizes a modified version of a protocol called ReFLEX™ developed by Motorola, Inc. for two-way paging and Narrowband PCS (NPCS). This system uses a 12.5 KHz channel pair operating in the 900 MHz band. It is to be understood, however, that the group messaging of the present invention can be implemented using other types of protocols and network devices.

In accordance with an aspect of the present invention, a SPARKGAP™ Dispatch Protocol (SDP) is provided as a streamlined means for a computer aided dispatch (CAD) system to communicate with two-way pagers on a SPARKGAP™ ReFLEX™ network. SPARKGAP™ is a ReFLEX™ network solution designed to control one or more base stations and provide two-way paging and mobile data coverage over an arbitrary geographical area. While this solution is similar in some ways to traditional one-way paging, two-way paging also differs significantly from its one-way counterpart. Two-way pagers acknowledge and reply to messages they receive, and they can originate their own messages. These additional capabilities outperform traditional paging input protocols (e.g., SNPP, TAP and TNPP). In addition, while more suitable second generation paging protocols exist (e.g., SMTP, SMPP, and WCTP), these newer protocols do not expose group membership information necessary for effective, acknowledged group messaging.

US 8,588,207 B2

5

The SDP of the present invention is a transactional, TCP/IP protocol where the CAD system is the client and the SPARK-GAP™ is the server. It features synchronous, client-initiated request/response transactions as well as asynchronous server-driven events, minimizing latency and complexity and delivering a rational solution to the public safety space.

A Dispatch/Response Layer (DRL) is also provided in accordance with the present invention as a layer above the ReFLEX™ Air Protocol to support group messaging. The SDP and DRL are analogized as book ends in that they operate on either side of the ReFLEX™ network.

ReFLEX™ supports personal and information service (IS) messages. Personal messages involve a single recipient, and ReFLEX™ enables the receiving pager to acknowledge reception, notify that the user has read the message, and relay multiple-choice responses from the user. IS messages involve an arbitrary group of recipients sharing common group addresses called IS addresses. ReFLEX pagers can be configured with one personal address and multiple IS addresses. IS messages are strictly one-way and ReFLEX™ does not support any response or acknowledgement from the recipient group. The present invention, however, adds message acknowledgement, message read notification, and multiple-choice response capability to IS messages, creating an infrastructure for reliable multicast messaging within the ReFLEX™ protocol. As described further below, the present invention implements two significant changes to conventional 2-way paging. First, it defines a new ALOHA command ('Multicast ACK Command') used by a pager to reply to an IS message. Second, it defines a flag to select which devices are allowed to use this feature.

System Description

A system 10 configured in accordance with an exemplary embodiment of the present invention is depicted in FIG. 1. With reference to FIG. 1, a central switching system (hereinafter referred to generally as 'Switch') 12 connects to a Wireless Network 14 and communicates with a number of subscriber devices (hereinafter referred to generally as 'Receivers') 16 such as pagers, cell phones, or wireless personal data assistants (PDAs), or portable computer running WiFi. Each Receiver is assigned one identifying Primary Address and one or more multiple Group Addresses, and is capable of receiving broadcast alert messages directed to any of its addresses. The Switch 12 comprises a Receiver Database 18 comprising stored information describing receivers, their group membership, and connects to a Wireless Network 14 such as a PCS network employing cell broadcast, a paging network, or a broadcast-capable data network employing group addressing.

With reference to FIG. 2, the Receiver Database 18 comprises an independent table of Receivers 22 and an independent table of Groups 24. Each Receiver row in table 22 contains an identifying personal address, as well as other information specific to a single device 16 and its Wireless Network architecture. Each Group row in table 24 contains an identifying group address, an encryption key, and a symbolic name. A dependent table of Membership 26 provides the many-to-many relationship between Receiver and Group rows. Each Membership row assigns one receiver to one group. Membership rows contain GroupAddress and PersonalAddress columns, identifying a Group and Receiver row, respectively. Each Membership row also contains a ReceiverGroupNumber column, a small mnemonic value that uniquely identifies the Group from other Groups programmed into the same Receiver, and CC ('carbon copy') flag to define specific behavioral aspects of the Receiver. Receivers do not respond to messages received by group addresses if

6

their CC flag is set, while they can respond to messages received by group addresses if their CC flag is clear. This mechanism allows users to monitor alerts to specific groups, without expectation by the source of the alerts for a response.

As administrative changes occur to the Receiver Database 18, configuration transactions are executed over the air with individual Receivers 16 to synchronize their configuration memory with the corresponding data in the Receiver Database 18. The system 10 therefore maintains an up-to-date image in the configuration memory of each Receiver 16, including a list of Group addresses, their ReceiverGroupNumber values, their symbolic names, encryption keys, and CC flags.

With reference to the flow charts in FIGS. 7 and 8, a 'Client' (e.g., a computer-aided dispatch center, a human user, or other network client 20) uses this system 10 to broadcast alert messages to groups of Receivers 16. To do so, the client 20 composes a message, preferably including display content and a list of response strings. The Client 20 then connects to the Switch 12 and requests transmission of the message to a particular group name (block 50). Depending on the architecture of the Wireless Network 14, either the Client 20 or the Wireless Network 14 assigns an identifying field to the message such that user responses can be associated with the correct message.

Upon receipt of the message, the Switch 12 responds to the Client 20 with detailed information on the group such as a list or a count of group members (block 52). It then encrypts the Group Message, assigns a cyclical message sequence number, and transmits the message to the Group Address (block 54). As described in more detail below in connection with the SPARKGAP™ dispatch protocol (SDP), the Switch 12 receives group message acknowledgment responses from the receivers 16 (block 56) that are associated with the broadcast group message (block 58) and provided to the Client 20 (block 60). Similarly, other types of responses generated as a result of the group message are associated with the broadcast group message (block 62) and provided to the Client 20 (block 64).

Upon receiving the Group Message (block 80), the Receivers 16 decrypt the message and display the content, group name, and multiple choice options to the user. Receivers employing paging technology that are not addressed in the group do not receive the message. Alternatively, a system 10 employing cellular broadcast of the message can receive but ignore the message if it is not in the addressed group (block 82). Each Receiver 16 with a CC flag of false transmits one or more acknowledgement codes through the Network 14 back to the Switch 12, specifying message received, message read notifications, and enumerated multiple-choice responses (block 84, 88 and 90). The datagram carrying the acknowledgement code also includes the personal address of the receiver 16, the ReceiverGroupNumber of the group address, and the message sequence number of the message, which together efficiently and uniquely identify the specific group message at the specific Receiver 16. Each Receiver 16 in the group with a CC flag of true does not transmit an acknowledgement reply to the Switch 12 but rather merely displays the group message (blocks 84 and 86).

Each receiver 16 provides a configuration display for the user. This display allows the user to specify, by group name, how notification should occur for messages received by each group address. Similarly, the Switch provides an administrative human interface that allows a system administrator to set up and maintain the Receivers 16 belonging to each Group.

US 8,588,207 B2

7

An Exemplary Computer Aided Dispatch (CAD) System
 The foregoing system description discusses the high-level organization and data flow of an exemplary group messaging system **10** that can use any of a variety of network types. With reference to FIGS. **3**, **4** and **5**, the following is a description of an exemplary type of network, that is, a ReFLEX™ two-way paging network that incorporates the new group messaging layer of the present invention. FIG. **3** is a SPARKGAP™ network controller **12'** which is configured to implement group messaging in accordance with an exemplary embodiment of the present invention. FIG. **4** illustrates the use of a SPARKGAP™ network controller or server **12'** in a system configuration **10'** similar to FIG. **1**. FIG. **5** illustrates another system configuration **10''** in accordance with another exemplary embodiment of the present invention.

The SPARKGAP™ network controller or server **12'** in FIG. **3** provides private two-way paging, mobile data, and wireless email over inexpensive channel pairs in the 900 MHz Enhanced Specialized Mobile Radio (ESMR) band or the Narrowband Personal Communication Services (N-PCS) band. Coverage can be configured for a single building, multiple counties, or state-wide service, for example, supporting small user devices such as pagers and personal data assistants (PDAs) with Motorola's proprietary ReFLEX™ protocol. Since the SPARKGAP™ server provides encrypted acknowledgement paging, responders reply immediately to CAD events and other messages directly from their pagers, and Advanced Encryption Standard (AES) encryption protects all transmissions. Since the SPARKGAP™ server **12'** supports mobile applications, law enforcement officers can use PDAs as receivers **16** to connect wirelessly with municipal, state, and federal databases to run license checks, warrants, and other mobile applications. Further, the SPARKGAP™ server is useful for automatic vehicle location. Small, inexpensive GPS sending units can be used as receivers **16** to monitor vehicles and heavy equipment, sending real-time location and status information on a 24 hour per day, 7 day per week basis. The SPARKGAP™ server **12'** can also support wireless e-mail. Users can send and receive secure, wireless email using pagers and PDAs.

The SPARKGAP™ server **12'** can support one base station **15** or hundreds of base stations **15** in a network **14'**, each consisting of a standard 900 MHz paging transmitter and ReFLEX™ base receiver as shown in FIG. **5**. A single station covers a 7-20 mile radius, and a network **14'** can coordinate multiple stations using simulcast or cellular arrangements to optimize coverage and capacity. A single channel pair can serve thousands of users, and multiple channels can be aggregated for additional capacity. Even under worst-case peak conditions, the ReFLEX™ protocol uses centralized arbitration to prevent contention and channel overloading.

In accordance with an exemplary embodiment of the present invention, the SPARKGAP™ server **12'** maintains a full packet data layer on top of paging, which is one of the most robust and most reliable communication technologies available, and leverages this foundation into a balanced set of features, coverage, and capacity. The SPARKGAP™ server **12'** connects directly to computer-aided dispatch (CAD) systems, provides low latency messaging with virtually unbreakable security, and operates with the lowest cost-per-user and cost-per-coverage-area of any wireless data solution available. For additional resilience, redundant hot standby units maintain network operation even under catastrophic circumstances, keeping first responders connected when they are needed most.

8

As stated previously, the SPARKGAP™ protocol and associated server **12'** provide a ReFLEX™ network solution designed to control one or more base stations **15** and provide two-way paging and mobile data coverage with user devices **16** over an arbitrary geographical area. While this solution is similar in some ways to traditional one-way paging, two-way paging also differs significantly from its one-way counterpart. Two-way pagers acknowledge and reply to messages they receive, and they can originate their own messages. These additional capabilities outperform traditional paging input protocols (e.g., SNPP, TAP and TNPP). In addition, while more suitable second generation paging protocols exist (e.g., SMTP, SMPP, and WCTP), these newer protocols do not expose group membership information necessary for effective, acknowledged group messaging.

Client **20**/Server **12** Protocol

In accordance with an aspect of the present invention, a SPARKGAP™ Dispatch Protocol (SDP) is provided as a streamlined means for a computer aided dispatch (CAD) system **20'** to communicate with two-way pagers **16** in, for example, a SPARKGAP™ ReFLEX™ network **14'**. It is to be understood, however, that the group messaging of the present invention can be implemented using other types of protocols and network devices. The SDP of the present invention is a transactional, TCP/IP protocol where the CAD system is the client **20'** and the SPARKGAP™ network controller **12'** is the server. It features synchronous, client-initiated request/response transactions, as well as asynchronous server-driven events, to minimize latency and complexity and deliver a rational solution to the afore-mentioned issues relating to public safety and rapid response and communication. With reference to FIG. **6**, the server or switch **12** or **12'** comprises a memory device **32** and processor **34**, which can be programmed to implement the SDP, as well as an interface **30** to the network **14** or **14'**.

With further reference to FIG. **4**, when employing SDP, the CAD system or client **20'** connects to the SPARKGAP™ server **12'** using TCP/IP on port **55000**. The CAD system or client **20'** initiates transactions with the SPARKGAP™ server **12'** using a synchronous request/response model, that is, the CAD system **10'** sends the SPARKGAP™ server **12'** a request from a client **20'**, the SPARKGAP™ server **12'** takes an action, and then the SPARKGAP™ server **12'** sends the CAD system client **20'** a response. Additionally, in order to minimize latency in delivering responses from the pagers, the SPARKGAP™ server **12'** also sends asynchronous event notifications to the CAD system client **20'** regarding message progress and responses from individual pagers.

The SDP will now be described in further detail. A description of protocol data units, transactions and events follows.

1. SDP Protocol Data Units

SDP requests, responses, and events are implemented as atomic protocol data units (PDUs) transmitted by the client **20** or **20'** and server **12** or **12'** using preferably a TCP/IP network. PDUs are serialized, and preferably always transmitted contiguously in their entirety. In other words, a node preferably never interrupts a partially transmitted PDU to begin another PDU. A PDU is preferably encoded using ASCII plain text, and consists of an identifying header followed by a collection of name/value attributes enclosed, as shown below, in curly brackets (braces).

US 8,588,207 B2

9

1.1 Syntax

PDUs are preferably encoded using ASCII plain text according to the following specification:

```

Client-to-server transmission syntax:
"request" <request-number> <request-type> "{" <attribute-list> "}"
Server-to-client transmission syntax:
"event" <event-type> "{" <attribute-list> "}"
"response" <request-number> "{" <attribute-list> "}"
where,
<request-number> ::= <integer>
<request-type> ::= token
<event-type> ::= token
<attribute-list> ::= <attribute> [<attribute-list I
<attribute> ::= attribute-name "" attribute-value ""
<attribute-name> ::= token
<attribute-value> ::= <integer> <string>
<integer> ::= Base10 Integer Expression
<string> ::= string enclosed in double quotes
    
```

An example PDU exchange is illustrated as follows:

```

CAD to SPARKGAP™          SPARKGAP™ to CAD
-----
request 5066 SendMessage
{
  CadEventID="#CTYF041820772";
  MessageID="2004";
  DestinationID=Fire1;
  Display="Calling All Cars";
  AlertResponse=0;
  ReadResponse=1;
  MCR="On My Way";
  MCR="Busy";
  MCR="On Scene";
}

Response 5066
{
  ResultCode=0;
  ResultText="Message Queued";
};
Event PagerResponse
{
  Timestamp="07082004130553EST";
  MessageID="2004";
  CadEventID="#CTYF041820772";
  PagerID="229030020";
  PagerName="Doe, John";
  MessageRead=1;
}
    
```

1.2 Attribute Value Types

The SDP of the present invention preferably supports two attribute types, with string or integer values. Integer values are simply unsigned integers with no more than 32 significant bits, described using base-10 notation. Strings are simply printable ASCII strings contained in double quotes, and supporting the following escape sequences:

```

\n      New Line
\r      Carriage Return
\"      Double Quote
\\      Backslash
\###   An octal value
    
```

1.3 The Timestamp Attribute

All events contain a timestamp attribute marking the creation of the event. A timestamp value contains a string in a specific format:

MMDDYYYYHHMMSST

10

Where

- MM is the 2-digit month (1-12)
- DD is the 2-digit day of the month (1-31)
- 5 YYYYY is the 4-digit year
- HH is the 2 digit hour (0-23)
- MM is the 2 digit minute (0-59)
- SS is the 2 digit second (0-59)
- 10 T is the 1-4 character time zone abbreviation
- 1.4 Attribute Order

In some cases, attribute order is significant. For illustrative purposes, receiving nodes are expected to read and decode attributes from first to last in the PDU.

2. Transactions

A transaction is exchanged on the network as a request from the client, some action by the server, and a response from the server. The SDP preferably includes three transactions described below:

- 20 Login
- SendMessage
- QueryMessage
- 2.1 Login

25 The Login transaction establishes the identity of the CAD client **20** or **20'** for purposes of reconnection. Should a TCP/IP connection be terminated, the SPARKGAP™ sever **12'** will queue events awaiting a reconnection.

30 2.1.1 Request

The request PDU contains the following attributes:

User (string, mandatory): This value contains the name or identity of the CAD system client **20** or **20'**, which preferably must match an entry in a SPARKGAP™ CAD account database in the database **18**.

35 Password (string, optional): This value contains the access password for the CAD system client **20** or **20'**. If the CAD account is set up without a password, then this attribute is not required.

40 Version (integer, mandatory): This value specifies the protocol version that the CAD system client **20** or **20'** is requesting for this session. The version is conveyed as the major number multiplied by 100 and added to the minor number. 45 For illustrative purposes, this attribute value is 100.

2.1.2 Response

The response PDU contains the following attributes:

50 ResultCode (integer, mandatory): This value contains the result code of the transaction.

ResultText (string, optional): This value contains a human readable message string describing the result of the transaction.

55 Version (integer, mandatory): This value specifies the protocol version that the SPARKGAP™ sever **12'** is supporting for this session. The version is conveyed as the major number multiplied by 100 and added to the minor number. For illustrative purposes, this attribute value is 100.

60 System (string, optional): This value contains an identifying description of the SPARKGAP™-based system **10'**.

2.1.3 Example

This example illustrates a CAD system client **20** or **20'** logging into a SPARKGAP™ server **12'** as user "ECD911," requesting version 1.0 of the protocol. The SPARKGAP™ server **12'** grants the login and acknowledges version 1.0 support.

US 8,588,207 B2

11

CAD to SPARKGAP™	SPARKGAP™ to CAD
<pre>request 5066 login { User="ECD911"; Password="GHTy778"; Version=100; }</pre>	<pre>Response 5066 { ResultCode=0; Version=100; ResultText="Connection Complete"; System="Sparkgap ESN 04000022"; }</pre>

2.2 SendMessage

The SendMessage transaction queues a message for delivery for one or more pager recipients 16. The transaction only queues the message for processing. As the message is processed and responses are received, a sequence of events will convey the results back to the CAD system 10'.

2.2.1 Request

The request PDU contains the following attributes

MessageID (string, mandatory): This value uniquely identifies the message from the client (CAD) 20 or 20' perspective. An identical MessageID attribute will be included in all subsequent events related to this message.

CadEventID (string, optional): This value uniquely identifies the precipitating CAD event. If present, an identical CadEventID attribute will be included in all subsequent events related to this message.

DestinationID (string, mandatory): This value specifies the target audience for the message. The DestinationID corresponds to the name of a group of pagers or an individual pager in the SPARKGAP™ database. The PDU may contain multiple DestinationID attributes, in which case the message will be directed to an aggregated group representing the net total of all recipients.

GroupDetail (integer, optional): This value conveys the client's desire to receive detailed information about group recipients in the transaction response. If this field is present and set to a non-zero value, then the response will include a PagerID and PagerName attribute for each constituent number of the group. If the GroupDetail attribute is not present or set to zero, then this information will not be included in the response.

Display (string, mandatory): This value contains the actual display message to be read by message recipients. Multiple Display attributes are arranged in the order they appear into a single unbroken message.

AlertResponse (integer, mandatory): If present and set to a non-zero value, this value instructs the SPARKGAP™ server 12' to notify the CAD client 20' as pagers 16 receive the message and alert their users.

ReadResponse (integer, optional): If present and set to a non-zero value, this value instructs the SPARKGAP™ server 12' to notify the CAD client 20' as users display the message on their pager.

MCR (string, optional): If present, MCR attributes specify "multiple-choice responses" to be presented to the user as reply options. Multiple MCR attributes may be included in the request. The first MCR encountered is number 0, the second is number 1, and so on. As users reply to the message, the SPARKGAP™ server 12' will relay appropriate PagerReply events to the CAD client 20'.

12

2.2.2 Response

The response PDU contains the following attributes:

ResultCode (Integer, mandatory): This value contains the result code of the transaction.

5 ResultText (string, optional): This value contains a human readable message string describing the result of the transaction.

GroupSize: This value specifies the total number or recipient members in the group.

10 PagerID (String, mandatory): This value contains the identification of one pager in the aggregate destination group. The presence of this attribute signifies that a corresponding PagerName attribute will follow. Together, these two fields are duplicated for each member of the total pager destination group.

15 PagerName (string, optional): The value contains the name of the pager user corresponding to the last PagerID value.

2.2.3 Example

20 This example illustrates a CAD system or client 20' sending the message "Calling all cars" to two dispatch groups, Fire1 and Fire34. The CAD system client 20 requests notification from each pager 16 when the users read the messages, but not when the pagers alert. The request includes a CadEventID and a MessageID so that the CAD system can properly categorize forthcoming events related to this message. The SPARKGAP™ server 12' queues the message and returns a successful result code in the response.

CAD to SPARKGAP™	SPARKGAP™ to CAD
<pre>request 5066 sendmessage { CadEventID="#CTYF041820772"; MessageID="2004"; DestinationID="Fire1"; DestinationID="Fire34"; GroupDetail=1; Display="Calling All Cars"; AlertResponse=0; ReadResponse=1; MCR="On My Way"; MCR="Busy"; MCR="Already On Scene"; }</pre>	<pre>Response 5066 { ResultCode=0; ResultText="Message Queued"; GroupSize=892; }</pre>

2.3 QueryMessage

The CAD client 20' initiates a QueryMessage transaction to discover present status of a previously sent message. The transaction response provides details about the message status as well as the status of all message recipients.

2.3.1 Request

60 MessageID (string, mandatory): This value identifies the message to be queried. It preferably must match the MessageID attribute of the SendMessage request that created the message.

2.3.2 Response

65 The response includes a message status, and a number of member status values in the form of an attribute group, PagerID, PagerName, PagerStatus. These three attributes may appear multiple times in the response to convey the status of multiple pagers in the message's aggregate destination group.

US 8,588,207 B2

13

ResultCode (integer, mandatory): This value contains the result code of the transaction. If this value is not zero, then the MessageStatus, PagerID, PagerName, and PagerStatus fields will not be present.

ResultText (string, optional): This value contains a human readable message string describing the result of the transaction.

MessageStatus (integer, mandatory): This value contains the present status of the message, as described in the table below.

PagerID (string, mandatory): This value contains the identification of one pager in the aggregate destination group. The presence of this attribute represents that a corresponding PagerName attribute may follow, and that a PagerStatus attribute will follow. Together, these two or three fields are duplicated for each member of the pager group total pager destination group.

PagerName (string, optional): This value contains the name of the pager user corresponding to the last PagerID value.

PagerStatus (string, mandatory): This value contains the status of the pager user corresponding to the most recent PagerID value in the PDU. PagerStatus values are enumerated in the table below.

PagerStatus and MessageStatus value enumerations are described below:

PagerStatus Values	
Value	Description
"Pending"	The message is pending for transmission.
"Sent"	The message has been sent to the device but not yet acknowledged in any way.
"Received"	The message has been successfully received by the device.
"Read"	The message has been read by the user.
"Answered"	The user has answered the message

MessageStatus Values	
Meaning	Description
"Pending"	The message is pending for transmission.
"Sent"	The message has been transmitted and is open for replies.
"Closed"	The message is closed.

2.3.3 Example

This example illustrates a CAD system client 20', querying for the message 2004. The SPARKGAP™ server 12' returns a MessageStatus of "Sent" to indicate that the message has been sent, and it returns individual deliver status codes on the four members of the group.

CAD to SPARKGAP™	SPARKGAP™ to CAD
request 5067 sendmessage { MessageID="2004"; }	Response 5067 { Result=0;

14

-continued

CAD to SPARKGAP™	SPARKGAP™ to CAD
	MessageStatus="Sent"; PagerID="229030020"; PagerName="Doe, John"; PagerStatus="Read"; PagerID="229030109"; PagerName="Doe, Jane; PagerStatus="Sent"; PagerID="229030043" PagerName="Orwell, George"; PagerStatus="Read"; PagerID="229030025"; PagerName="Miller, Mark"; PagerStatus="Answered"; }

3 Events

SDP allows the SPARKGAP™ server 12' to send asynchronous events to the CAD system client 20' to notify it of message activity on the network. SDP includes two events:

- PagerReply
- MessageComplete

3.1 PagerReply

This event informs the CAD system client 20' that a recipient pager 16 has responded in some way to a message. The event contains the following attributes

Timestamp (string, mandatory): This value specifies the time that the SPARKGAP™ server 12' received the information from the pager.

MessageID (string, mandatory): This value identifies the message, matching the MessageID attribute value of the SendMessage request that created the message.

CadEventID (string, mandatory): This field is preferably only present if a CadEventID attribute existed in the SendMessage request that created the message. If it is present, it matches the value in the SendMessage request.

PagerID (string, mandatory): This value contains the identification of the pager issuing the reply.

PagerName (string, optional): This value contains a descriptive name of the pager user.

UserAlerted (integer, optional): If this attribute is present and its value is non-zero, it means that the message was successfully received by the pager 16 and the user was alerted.

MessageRead (integer, optional): If this attribute is present, it means that the user displayed the message on the pager 16.

McrValue (integer, optional): If this attribute is present, the user selected a multiple-choice reply value indicated by the value.

McrText (string, optional): If this attribute is present, it contains the actual text of the selected multiple-choice reply.

MessageText (string, optional): If this attribute is present, it contains a manually typed response from the pager.

The PDU preferably will not aggregate events, but rather it will contain either UserAlerted, MessageRead, McrValue (and McrText), or MessageText. It preferably will not contain a combination of these fields. Each distinct pager response will arrive in its own event PDU with its own timestamp value.

In the following example, Pager 229030020 (John Doe) has responded to message 2004 with multiple-choice response number 2.

CAD to SPARKGAP™	SPARKGAP™ to CAD
	<pre> Event PagerResponse { Timestamp="07082004130553EST"; MessageID="2004"; CadEventID="#CTYF041820772"; PagerID="229030020"; PagerName="Doe, John"; UserAlerted=1; MessageRead=1; McValue=2; McText="Already On Scene"; } </pre>

3.2 MessageComplete

This event informs the CAD system client 20' that a message has transitioned to the closed state. The message record will remain in memory 18 for some time, but the system will no longer accept pager responses for it. This event contains the following attributes:

Timestamp (string, mandatory): This value specifies the time that the SPARKGAP™ closed the message.

MessageID (string, mandatory): This value identifies the message, matching the MessageID attribute of the SendMessage request that created the message.

CadEventID (string, mandatory): This value is only present if a CadEventID attribute existed in the original SendMessage request that created the message, and if it is present, it matches the value in the SendMessage request.

In this example, SPARKGAP™ announces that Message 2004 is closed:

CAD to SPARKGAP™	SPARKGAP™ to CAD
	<pre> Event MessageComplete { Timestamp="07082004130553EST"; MessageID="2004"; CadEventID="#CTYF041820772"; } </pre>

Result Codes

SDP supports the following result codes:

0	Transaction Completed Successfully
1000	Badly formed PDU
1001	Unknown recognized Request
2000	Invalid User/Password
3000	Message Queue Full - Try Again Later
3001	Unknown MessageID
3002	Unknown DestinationID
3003	Missing Required Attribute

Server or Switch 12/Mobile Receiver 16 Protocol

A Dispatch/Response Layer will now be described which is a layer above the ReFLEX™ Air Protocol that supports group messaging between a client 20 or 20' and a mobile device 16 in accordance with the present invention. The SDP and DRL are analogized as book ends in that they operate on either side of a ReFLEX network 14'.

1. Introduction

The present invention preferably provides for acknowledged group messaging support for the ReFLEX™ protocol. The ReFLEX™ protocol supports personal and information service (IS) messages. Personal messages involve a single

recipient, and ReFLEX™ enables the receiving pager to acknowledge reception, notify that the user has read the message, and relay multiple-choice responses from the user. IS messages involve an arbitrary group of recipients sharing common group addresses called an IS addresses. ReFLEX pagers can be configured with one personal address and multiple IS addresses. IS messages are strictly one-way, and ReFLEX™ does not support any response or acknowledgement from the recipient group.

The present invention adds message acknowledgement, message read notification, and multiple-choice response capability to IS messages, creating an infrastructure for reliable multicast messaging within the ReFLEX™ protocol. To this end, the present invention defines a new ALOHA command (Multicast ACK Command), and defines a flag in the 'Change Registration Command' to select which devices are allowed to use this feature.

The Dispatch/Response Layer (DRL) provides efficient and high-performance group and personal messaging over a ReFLEX™ network 14' between the server 12' and the user devices or receivers 16. DRL uses binary IS vectors and multicast ACK commands to deliver dispatch messages to groups of users and receive individual responses. It also provides a simple structure for personal messaging between individuals, and it is designed to operate over the Secure Paging Layer (SPL). SPL is an obvious, open-source encryption standard based on AES. This system 10 or 10', however, can be implemented with other encryption methods.

2. Overview

DRL supports both group and personal messages.

2.1 Group Messages

Group Messages are broadcast to a group of one or more pagers 16 using ReFLEX™ IS addresses. A Group Message includes a specially-formatted ReFLEX™ binary message broadcast by the network 14' to a group of pagers 16, and a number of ReFLEX™ Multicast ACK Command responses from the pagers 16 back to the network 14'. This type of message can contain a display message a supervisory command, or both.

2.2 Personal Message

Personal messages are sent between a single pager 16 and the network 14' using a ReFLEX™ personal address. A Personal Message includes a specially-formatted ReFLEX™ binary message sent from the network to a pager, or a ReFLEX™ long inbound message from the pager to the network. Additionally, pagers may transmit ReFLEX™ ACK Responses, Multiple-Choice Commands, and Transaction Control Commands in response to forward messages.

The present invention provides for acknowledged group messaging support for ReFLEX™ protocol. The Multicast ACK command is a new ALOHA command used by a pager 16 to reply to an IS message. This command's MSN refers not to the device personal address, but instead to an IS address selected from the device codeplug with a 4-bit enumeration field. The 30-bit IS address itself is synchronized between the pager 16 and its home switch or server 12', using means similar to those provided by the open ReFLEX Exchange Protocol (RXP) and the Motorola Generic Over-The-Air Programming Protocol (GOTAP).

The 'Multicast ACK Command' contains a message sequence number (MSN), a 4-bit IS address identifier (ai) and a 7-bit reply identifier (mr). The IS address identifier specifies the IS address programmed into the pager, and MSN identifies the message being replied to, and the reply identified indicates the enumerated reply code.

The Multicast ACK Command reply identifier can specify responses pre-programmed in the pager (codes 0 through 63),

US 8,588,207 B2

17

responses embedded in the group message (codes 64 through 111), or supervisory messages, as follows:

124 Message received by pager	5
125 Message received by pager and read by user	
126 Message received but could not be decoded	
127 Message received with transmission errors	

The network **14** responds to the ‘MulticastACK Command’ with a ‘Standard ACK’ (Motorola ReFLEX 2.7.3 Specification, Section 3.10.9.2). In order to control where this feature is available (and which devices may use it), bit d4 of the ‘Registration Grant’ type ‘Change Registration Command’ (3.1 0.8.1) is redefined from ‘reserved’ to RM. An RM value of zero restricts the pager from transmitting the ‘MulticastACK Command’. An RM value of one enables the pager to transmit the ‘MulticastACK Command.’

On a per-message basis, the RE and RD bits (alphanumeric and binary vectors, respectively) determine whether the Multicast ACK Command may be transmitted for any particular IS message. If RE is 1 (or RD=0), and RM=1 during the last ‘Registration Grant’ seen by a device **16**, then it may transmit ‘Multicast ACK Command’ packets related to the message. Application protocols (such as Motorola FLEXSuite, and higher-level protocols) will determine which specific ‘Multicast ACK Command’ are appropriate for the message.

2.3 Device **16** Capabilities And Behavior

2.3.1 Multicast ACK Command

DRL uses ReFLEX™ IS addresses for personal messaging. Compliant DRL Devices **16** preferably support the Multicast ACK Command described above, and they support an additional non-volatile configuration bit for each IS address in their codeplug. This flag is called the ‘CC’ or “carbon copy” flag, and it serves to disable Multicast ACK Command responses on the specified IS address. The device **16** preferably supports at least 16 IS addresses and 16 CC bits, which are automatically synchronized over the air using GOTAP or similar means.

2.3.2 Performance

DRL is designed to support public safety, law enforcement, and other applications where timely delivery of personal and group messages is paramount. DRL devices **16** preferably support ReFLEX™ protocol version 2.7.3 reduced latency operation, in which they will examine each frame for IS or personal messages.

2.3.3 User Interface

DRL messages follow the ‘e-mail’ model and can include a from-address, a to-address, a subject and a message body. DRL devices **16** include one or more IS addresses configured for DRL group messaging, including a CC flag (set through GOTAP) and a group name (such as ‘Ladder46’, ‘Hazmat’, or ‘BerkelyEMS’) maintained through DRL. Users can select alert options per IS address, using the symbolic name of the address to assist the user in organizing his in-box. Personal messages and group messages can appear in the same mailbox; group addresses preferably display the name of the group as the from address.

3. Message Structure

DRL preferably uses ReFLEX™ long binary messages adhering to the Motorola Route to Alternate Host (RAH) protocol as described in the Motorola FlexSuite™ of Enabling Protocols Specification Document. Preferably all DRL messages include a Message Header followed by Message Content.

18

3.1 Message Header

Headers can include the RAH SIF (0x11) and RAH Address ID (0x2d), followed by a DRL message type, as follows

DRL Message Header		
Field Name	Byte Length	Description
SIF	1	RAH SIF (0x11)
Address ID	1	RAH Address ID (0x2d)
Type	1	DRL Message Type

3.2 Message Content

Content type is identified by the Type field, as follows:

Type	Description
0	Ignore Message
1	Group Message
2	Personal Forward Message
3	Personal Reverse Message
4	Personal Response Message
5-255	Reserved

The message content consists of a sequence of octets following immediately after the Type field of the long message header.

4. Group Message

A Group Message preferably consists of a one-to-many broadcast message with recipient confirmation and reply options. Group alerts are transmitted as ReFLEX™ 1-Way binary IS messages with a DRL Type code of 1.

4.1 Forward Message

The group dispatch message initiates the group dispatch transaction, conveying a display message to a number of pagers. It is a DRL long message transmitted using a ReFLEX™ 1-way personal or IS address, and it contains a 1-byte Control field, and a Display field consisting of a number of null-terminated strings encoded according to the PACK7 format described in Appendix D of the Motorola FlexSuite™ of Enabling Protocols Specification Document.

Dispatch Message Content		
Field Name	Byte Length	Description
Control	1	Control Flags
Opcode	1	Execution opcode
Operand	Variable	Execution operand
Display	Variable	NULL-Terminated Display String List.

The Control field specifies how the pager **16** should respond. Opcode and Operand fields specify auxiliary action the device **16** should take in addition to or instead of displaying the message, and the Display field contains the actual display message.

US 8,588,207 B2

19

4.1.1 Control Field

The Control field provides guidance on how the pager 16 should respond to the message:

Control Flag Definitions		
Bit	Name	Description
0	AckReceipt	Acknowledge receipt of the message
1	AckRead	Acknowledge reading of the message
2	UseMcr	Provide the user a multiple choice response
3-7	Reserved	Reserved flags (set to zero)

An AckReceipt value of 1 instructs the pager 16 to generate a ReFLEX™ Multicast ACK when the message is received, and an AckRead value of 1 instructs the pager to generate a Multicast ACK when the message is read by the user. A UseMCR value of 1 instructs the pager provide a multiple-choice response list to the user, including responses programmed into the pager as well as responses embedded into the message itself.

4.1.2 Operand/Opcode Field

Opcode and Operand fields specify auxiliary action the device 16 should take in addition to (or instead of) displaying the message. The Opcode field is a one byte value divided into upper and lower 4-bit fields. The upper 4 bits specifies the octet length of Operand, and the lower 4 bits specifies the action to be taken. The lower 4 bits use the following enumerations:

Operand Values		
Opcode	Operation	Description
0	No Operation	Take no action
1	Assign Name	Assign Group Name to Address
2	Execute	Execute Alerting Sequence
3-15	Reserved	Reserved

4.1.2.1 Opcode '0'—No Operation

This opcode specifies no operation and should be ignored.

4.1.2.2 Opcode '1'—Assign Group Name To Address

This opcode instructs the receiver 16 to assign a symbolic group name to the IS address, which are contained as one character per byte in the next 0-15 bytes. An operand length of zero implies 'no name,' while a length of 1-15 bytes indicate a 1-15 character long name.

4.1.2.3 Opcode '2'—Execute Alerting Sequence

This opcode instructs the receiver to execute a pre-programmed, external alerting sequence, such as a generating a public address tone, closing a relay contact or performing a sequence of relay closures, or printing the message. The first operand byte specifies the sequence to execute, which defaults to zero if no operand data is present. Operand data bytes 1-15, if present, contain additional parameters specific to the sequence. Devices that do not support this feature should ignore this opcode.

4.1.3 Display Field

The Display field is one continuous Pack7 field containing a list of null-terminated strings. These strings include, in order, the message subject, the message body, and up to 16 optional multiple-choice response strings. The subject and body are displayed to the user, and the response strings are presented as a list.

20

4.2 Multicast ACK Command Response

Under certain circumstances, the device may respond to the message with one or more Multicast ACK Commands. This behavior depends on 4 factors:

- 5 values of the RD bit in the message vector,
 - the Control field of the message,
 - the RM value of the last 'Registration Grant' seen by a device, and
 - the Multicast Ack Enabled flag of the IS address used
- 10 If RD=1 and RM=0, or Multicast Ack Enabled=0 then this command must not be used. Otherwise, the command should be sent under the following circumstances:

Upon Message Receipt

15 If AckReceipt of the Control field is 1, then the device 16 queues a Multicast ACK Command with mr=124 into its transmit queue when it receives a complete, error-free message.

Upon the User Viewing the Message

20 If AckRead of the Control field is 1, then the device 16 queues a Multicast ACK Command with mr=125 into its transmit queue when it receives a complete, error-free message.

Upon the User Selecting a Reply

25 If UseMcr of the Control field is 1, then the device 16 gives the user the option to select a reply string from an aggregated list including the replies programmed into the device and the replies embedded in the Display field. If the user selects a string, then the device 16 queues a Multicast ACK Command with mr=[0, 111] into its transmit queue. Codes 0-63 are reserved for responses programmed in the pager, and codes 64-111 are reserved for any response strings in the Display field. The user may respond to the message multiple times.

30 Subsequent Multicast ACK Commands associated with the same message can be optimized, and some of them can be overlooked without loss of information. For instance, an mr of 125 or an mr in the [0, 111] range implies that the message has been received and viewed. Depending on how fast the user reads and/or responds to a message, and depending on the ALOHA randomization interval of the system, the pager 16 may be able to skip transmission of Multicast ACK Response commands with mr values of 124 and 125 and simply transmit the multiple-choice reply code [0, 111].

35 When possible, this is desirable in order to reduce congestion of the return channel.

5. Personal Message

A Personal Message is a human-readable message carried from one point to another. Personal Forward Messages are sent by the network 14' to one pager 16, and Personal Reverse Messages are sent by the pager 16 to the network 14'. The DRL model for Personal Messages is similar to an abbreviated version of SMTP.

5.1 Personal Forward Message

40 A Personal Forward Message is transmitted by the network 14' to the pager 16. It contains Display field consisting of a number of null-terminated strings in FlexSuite Pack7 format.

This message type can be delivered as a one-way or two-way long binary message to single pager 16, with acknowledgement, read response, and multiple-choice replies transmitted back using the ReFLEX™ signaling layer. Display contains an ordered list of strings: a from-address, a subject, a body, and an optional list of multiple-choice replies.

5.2 Personal Reverse Message

65 A Personal Reverse Message is transmitted by the pager 16 to the network 14'. It contains Display field consisting of a number of null-terminated strings in FlexSuite Pack7 format.

US 8,588,207 B2

21

This message is delivered as a ReFLEX™ long inbound binary message. Display contains an ordered list of strings: a to-address, a subject, and a body.

Exemplary Tactical Alerting System

ReFLEX pagers are not fixed on a single channel for service, but rather scan continuously for a better, stronger, or more appropriate signal to serve them. This background scanning facilitates the present invention since it is this ability that allows these devices to seek out the correct channel for temporary use at the scene of an event.

In accordance with an exemplary embodiment of the present invention, a pager 16 is provided as shown in FIGS. 6, 9A, 9B and 10. With reference to FIG. 6, the pager 16 comprises a processor 38 programmed to implement the DRL, among other operations, a memory 36 for storing, for example, group configuration information, a display 44 and an interface 40 to the network 14. The pager 16 can be connected directly to a user interface 42 for facilitating customization of the group configuration information, for example, to allow the pager 16 to respond differently to messages directed to different group addresses. As shown in FIGS. 9A and 9B, the pager 16 has a display for displaying different screens and different options thereon. For example, the main screen shown on the display 44 in FIG. 9A indicates time and date and a menu listing such options as "VIEW RECEIVED MSGS", "VIEW TRANSMITTED MSGS", "SEND A MESSAGE" and "SERVICE SETTINGS". As shown in FIG. 9B, the pager 16 can be provided with a charger console 100 which can also have an input to the user interface 42. As shown in FIG. 10, the pager 16 can be provided with a QWERTY keypad 102, among other buttons and controls.

The pager 16 can be used by responding personnel on a day-to-day basis as a wide-area alerting device, but also as a tactical alerting device at the scene of an incident. The pager preferably operates on any programmed ReFLEX™2.7.x network. If an on-scene SPARKGAP™ (for instance, mounted into a mobile communications center) is operating with its own base station and an RXP connection to the wide area system, the pager 16 can register with the on-scene SPARKGAP™ when the responder arrives. When the pager 16 arrives at the site of an event with an established on-scene network such as the switch 12' (e.g., the SPARKGAP™ server), the pager 16 automatically finds this system 10, switches to the proper channel, and registers. As long as that pager 16 is in the coverage area of the on-scene SPARKGAP™ server 12', it will be a part of the community of pagers 16 receiving messages from the command post for that particular occurrence. Once the on-scene network is shutdown, or the responder leaves the coverage area, the pager 16 will re-register on the wide-area system.

The on-scene SPARKGAP™, and pagers, can be pre-loaded with one or more IS addresses reserved for tactical alerting. Incident commanders can send messages to these IS addresses to notify users on-scene of impending tactical issues, such as imminent structural failure or impending chemical release. In addition to the ability to automatically find the channel being used at the scene of a major event, the pager 16 is also equipped with louder than normal (>85 dB at 30 cm) alerting tone and strong vibrator to ensure the user is aware of an incoming message. With appropriate configuration, tactical alert messages can be sent to specific groups of user, or to all users on scene. Additionally, AES encryption is available to prevent inappropriate interception of tactical alerts.

Because the on-scene system is connected by RXP to the wide-area network, pagers also continue to send and receive normal personal and group messages from the wide area

22

system. However, the pager can be configured with unique alert tones to allow personnel to recognize incoming tactical messages, and the on-scene SPARKGAP can even temporarily configure local devices so that they only alert the user when tactical messages are received.

Modern wide-area paging networks utilize the 900 MHz band of radio spectrum. Some of these channels are dedicated to the NPCS Radio Service (FCC Part 24) and others are found in Business and Industrial Radio Service (FCC Part 90) making them available to a wide range of system operators. The pager 16 uses frequencies in either or both of these channel segments based on programming within the paging device itself.

When a major public safety event occurs, it is normal for the involved agencies to establish a command post at or near the scene of the event. Many times this is a motor home-style vehicle equipped to resemble a control room with banks of computers, radios and a meeting area used for staff briefings. As a critical part of this command post, a SPARKGAP™ server 12' can be installed to control the ReFLEX™ paging devices 16 carried to the scene by various responders. Once this system 10' (FIG. 4) is activated, pagers 16 that are pre-programmed with the on-scene channels would lock onto the network at the scene and check in. A display of all registered paging devices could be used to monitor the presence of personnel as they arrive.

If it was necessary to call a general evacuation of the scene, this message would be sent via the server 12' and each device 16 would acknowledge receipt and reading of the message. Paging allows the message to be sent to multiple users at the same time. The site command personnel would have an instant view of those who did not respond to the alert and could take immediate alternative action to get the message to them.

In this way, paging is analogous to an electronic equivalent of a lifeline attached to each person at the scene. Notifying them to evacuate by sending an alert message would be like pulling on that line and getting a tug as a response. The structure of a paging network provides the highest efficiency when it comes to alerting multiple users to an important message. And more importantly, the system 10 or 10' of the present invention gives the incident commander a confirmed indication that the message was received and read by the personnel to whom it was sent.

It will be appreciated by those skilled in the art that the present invention can be embodied in other specific forms without departing from the spirit or essential characteristics thereof. The presently disclosed embodiments are therefore considered in all respects to be illustrative and not restricted. The scope of the invention is indicated by the appended claims rather than the foregoing description and all changes that come within the meaning and range and equivalence thereof are intended to be embraced therein.

What is claimed is:

1. A method of alerting a group of recipients over a wireless network and providing acknowledged group messaging, each recipient comprising at least one mobile device capable of transmitting and receiving data, the method comprising the steps of:

storing data relating to recipients, groups and group members, in a memory device, the data comprising a recipient identifier for each of a plurality of recipients, one or more group identifiers corresponding to each of respective groups of recipients, the groups each comprising selected ones of the plurality of recipients, and group

23

membership data comprising the recipient identifiers of the selected recipients corresponding to each of the group identifiers;

providing the mobile device corresponding to each of the plurality of recipients with at least a subset of the data stored in the memory device, the subset of the data being stored in the mobile device and comprising its corresponding recipient identifier and the group identifier of each group to which that recipient belongs as a group member;

wirelessly transmitting a group message to the mobile device corresponding to each recipient in a selected group of recipients, each of the mobile devices being configured to receive the group message and send a response when the group message is determined to be for a group to which that recipient belongs as a group member;

monitoring for responses to the group message from the group members; and

storing acknowledgement data in the memory device for each of the group members, the acknowledgement data comprising a listing of each of the group members and an indication of response for each of the group members, the indication of response comprising at least one of an indication of no response when that group member has not yet responded to the group message, and an indication of response when a response sent by the mobile device of that group member has been received.

2. A method as claimed in claim 1, wherein the group message is sent using at least one of paging communications, cellular communications, two-way radio communications, wireless local-area network employing IEEE 802.11 standard for "Wi Fi", wireless metropolitan-area network employing IEEE 802.16 standard for "WiMAX", wireless area network employing IEEE 802 standard communications, wireless broadband network, and wireless network.

3. A method as claimed in claim 1, wherein the responses are sent using at least one of paging communications, cellular communications, two-way radio communications, wireless local-area network employing IEEE 802.11 standard for "Wi Fi", wireless metropolitan-area network employing IEEE 802.16 standard for "WiMAX", wireless area network employing IEEE 802 standard communications, wireless broadband network, and wireless network.

4. A method as claimed in claim 1, wherein the group message has a message identifier and the responses comprise the message identifier to facilitate associating responses to corresponding group message.

5. A method as claimed in claim 1, wherein the response comprises at least one of message received indicator, message read indicator, a reply selected from among multiple choice options, and an alphanumeric text reply entered by the recipient via the mobile device.

6. A method as claimed in claim 1, further comprising: updating at least one of the recipient identifier, the group identifier and the group membership data stored in the memory device whenever a recipient, group or group member is added or deleted; and updating data stored in a mobile device based on the data stored in the memory device.

7. A method as claimed in claim 1, wherein the transmitting of the group message is performed via a dispatch center, and the monitoring is performed via a network device.

8. A deterministic group messaging system providing acknowledged group messaging comprising:

24

a memory device configured to store a recipient identifier for each of a plurality of recipients, a group identifier corresponding to each of respective groups of recipients, the groups each comprising selected ones of the plurality of recipients, and group membership data comprising the recipient identifiers of the selected recipient corresponding to each of the group identifiers,

wherein at least one mobile device corresponding to each of the plurality of recipients is provided with at least a subset of the data stored in the memory device, the subset of data being stored in the mobile device and comprising its corresponding recipient identifier and the group identifier of each group to which that recipient belongs as a group member; and

a control module comprising at least one processing device that is configured to access the memory device and is programmed to

wirelessly transmit a group message corresponding to one of the groups of recipients, each of the mobile devices being configured to receive the group message and send a response when the group message is determined to be for a group to which that recipient belongs as a group member,

monitor for responses to the group message, and

store acknowledgement data in the memory device for each of the group members, the acknowledgement data comprising a listing of each of the group members and an indication of response for each of the group members, the indication of response comprising at least one of an indication of no response when that group member has not yet responded to the group message, and an indication of response when a response sent by the recipient device of that group member has been received.

9. A system as claimed in claim 8, wherein the group message is sent using at least one of paging communications, cellular communications, two-way radio communications, wireless local-area network employing IEEE 802.11 standard for "Wi Fi", wireless metropolitan-area network employing IEEE 802.16 standard for "WiMAX", wireless area network employing IEEE 802 standard communications, wireless broadband network, and a wireless network.

10. A system as claimed in claim 8, wherein the group message has a message identifier and the responses comprise the message identifier to facilitate associating responses to corresponding group message.

11. A system as claimed in claim 8, wherein the control module is further configured to

update at least one of the recipient identifier, the group identifier and the group membership data stored in the memory device whenever a recipient, group or group member is added or deleted, and

update data stored in a mobile device based on the data stored in the memory device.

12. A system as claimed in claim 11, wherein the control module is configured to update data stored in a mobile device with the data stored in the memory device using wireless communication to the recipient devices.

13. A method as claimed in claim 8, wherein the at least one processing device comprises a processing device at a dispatch center to transmit the group message, and a processing device at a network device to monitor the responses.

EXHIBIT D

(12) **United States Patent**
Dabbs, III et al.

(10) **Patent No.:** **US 9,014,659 B2**
(45) **Date of Patent:** ***Apr. 21, 2015**

(54) **METHOD AND APPARATUS FOR EFFICIENT AND DETERMINISTIC GROUP ALERTING**

(71) Applicant: **Critical Holdings, Inc.**, Norcross, GA (US)

(72) Inventors: **James M. Dabbs, III**, Atlanta, GA (US); **Brian Claise**, Cumming, GA (US)

(73) Assignee: **Critical Holdings, Inc.**, Norcross, GA (US)

(*) Notice: Subject to any disclaimer, the term of this patent is extended or adjusted under 35 U.S.C. 154(b) by 0 days.

This patent is subject to a terminal disclaimer.

(21) Appl. No.: **14/075,347**

(22) Filed: **Nov. 8, 2013**

(65) **Prior Publication Data**

US 2014/0065999 A1 Mar. 6, 2014

Related U.S. Application Data

(63) Continuation of application No. 13/476,641, filed on May 21, 2012, now Pat. No. 8,588,207, which is a continuation of application No. 13/154,138, filed on Jun. 6, 2011, now Pat. No. 8,199,740, which is a (Continued)

(51) **Int. Cl.**
H04W 4/22 (2009.01)
H04W 4/06 (2009.01)
(Continued)

(52) **U.S. Cl.**
CPC **H04W 4/22** (2013.01); **H04W 4/06** (2013.01); **H04W 4/08** (2013.01); **H04W 4/12** (2013.01); **H04W 84/022** (2013.01)

(58) **Field of Classification Search**
CPC H04W 4/06; H04W 4/08; H04W 4/12; H04W 84/022; H04W 4/22
USPC 455/404.1, 410; 370/310, 349, 390, 370/442, 445, 539.1
See application file for complete search history.

(56) **References Cited**

U.S. PATENT DOCUMENTS

5,278,539 A 1/1994 Lauterbach et al.
5,835,860 A 11/1998 Diachina

(Continued)

OTHER PUBLICATIONS

M 1520, Product Brochure, Critical Response Systems™, Copyright 2005, 2 pages, www.critresp.com.

(Continued)

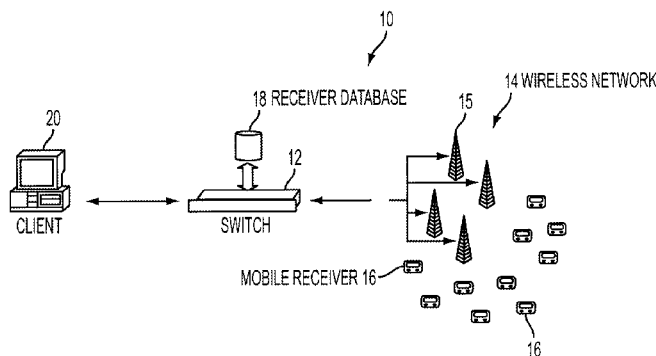
Primary Examiner — Sam Bhattacharya

(74) *Attorney, Agent, or Firm* — Roylance, Abrams, Berdo & Goodman, LLP

(57) **ABSTRACT**

Systems and methods are provided for reliable, wireless group alerting in a system having a database, switch, wireless network, and a plurality of intelligent mobile receivers, and preferably employing a modified two-way paging based on ReFLEX™ protocol information service (IS) messages and a novel ALOHA command for multicast acknowledgement from mobile receivers. An encrypted message is broadcast to and received by a selected number of the mobile receivers. The network replies to the sender with detailed information about the individual members in the alert group. Each of the mobile receivers in the group then acknowledges the common message back to the system, decrypts the message, displays it to the user, and allows the user to respond. The system employs centralized management to simplify the roles of the mobile users and administrators, minimizing configuration and operational human errors that would otherwise result in confusion or lost messages.

18 Claims, 7 Drawing Sheets



US 9,014,659 B2

Page 2

Related U.S. Application Data

continuation of application No. 11/303,025, filed on Dec. 16, 2005, now Pat. No. 7,969,959.
 (60) Provisional application No. 60/636,094, filed on Dec. 16, 2004.

(51) **Int. Cl.**

H04W 84/02 (2009.01)
H04W 4/08 (2009.01)
H04W 4/12 (2009.01)

(56) **References Cited**

U.S. PATENT DOCUMENTS

6,304,649 B1 10/2001 Lauzon et al.
 6,529,735 B1 3/2003 De Brito
 6,710,702 B1 3/2004 Averbuch et al.
 6,714,636 B1 3/2004 Baiyor et al.
 6,804,332 B1 10/2004 Miner et al.
 7,337,146 B2 2/2008 Heelan et al.

7,657,253 B2 2/2010 Lewis
 7,808,378 B2 10/2010 Hayden
 8,199,740 B2* 6/2012 Dabbs et al. 370/349
 8,588,207 B2* 11/2013 Dabbs et al. 370/349
 2001/0010490 A1 8/2001 Bellin
 2002/0177428 A1 11/2002 Menard et al.
 2003/0153343 A1 8/2003 Crockett et al.
 2004/0087300 A1 5/2004 Lewis
 2004/0180654 A1 9/2004 Chen
 2005/0157720 A1 7/2005 Chandhok et al.
 2005/0198183 A1 9/2005 Zilliacus et al.
 2006/0105740 A1 5/2006 Puranik
 2006/0178128 A1 8/2006 Eaton et al.
 2006/0273893 A1 12/2006 Warner
 2010/0146057 A1 6/2010 Abu-Hakima et al.

OTHER PUBLICATIONS

M 1501, Product Brochure, Critical Response Systems™, Copyright 2005, 3 pages, www.critresp.com.
 "Mobile Data and Paging for First Responders", Sparkgap™. Copyright 2004, 2 pages, www.tga.com.

* cited by examiner

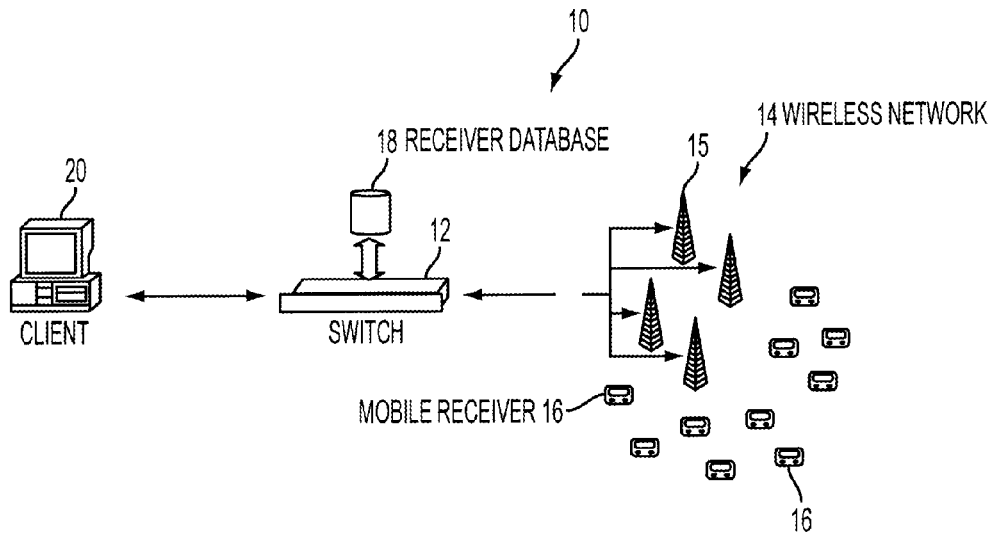


FIG. 1

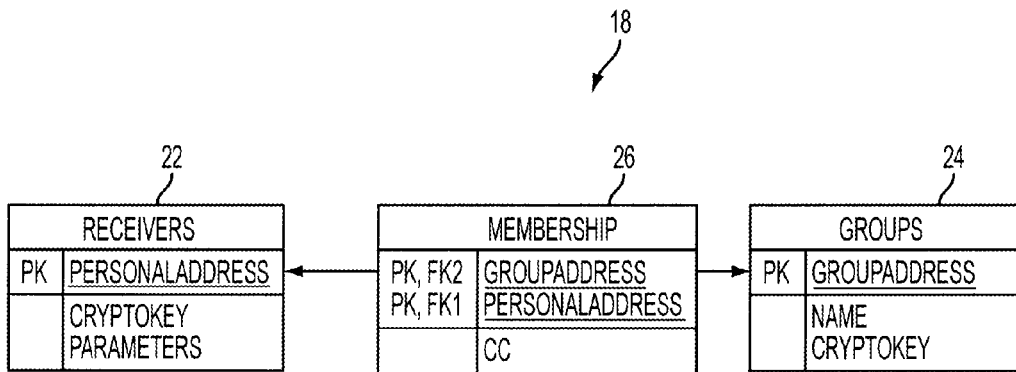


FIG. 2

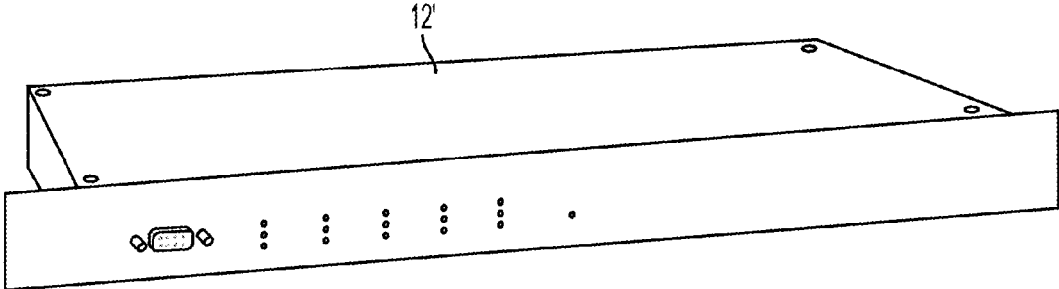


FIG. 3

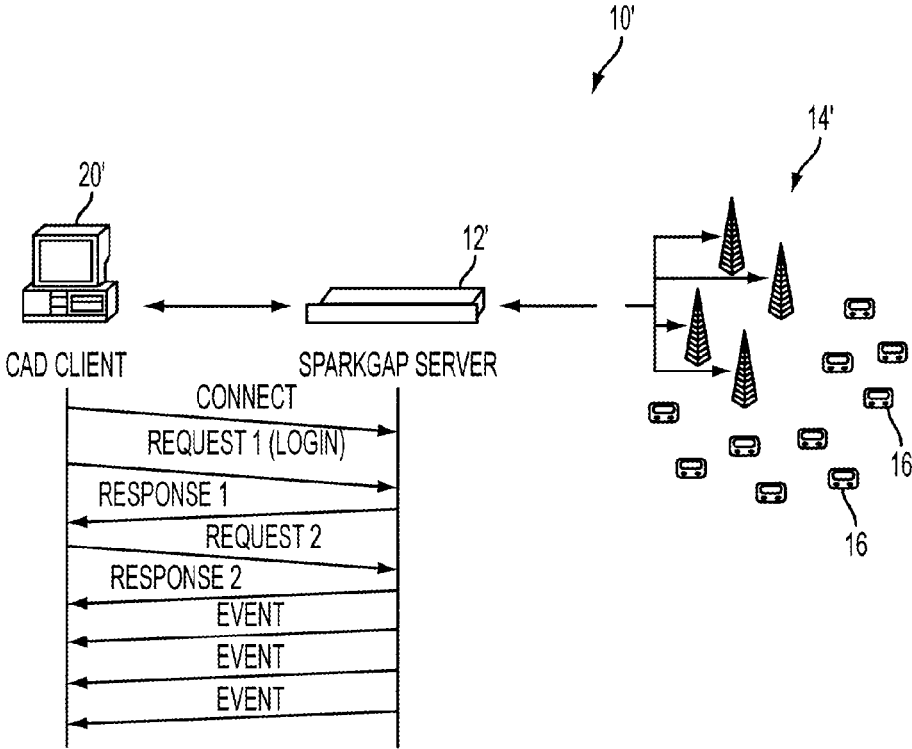


FIG. 4

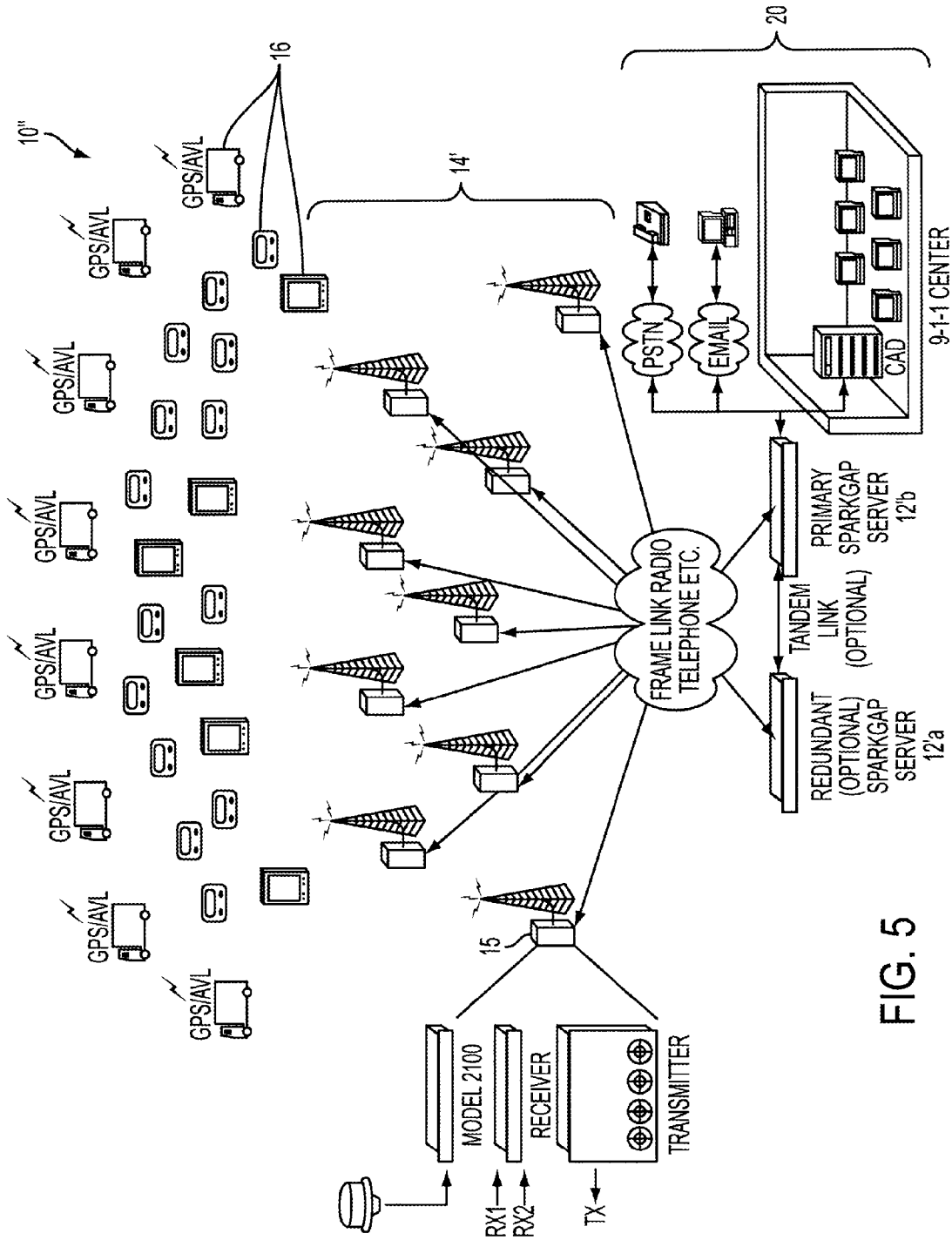


FIG. 5

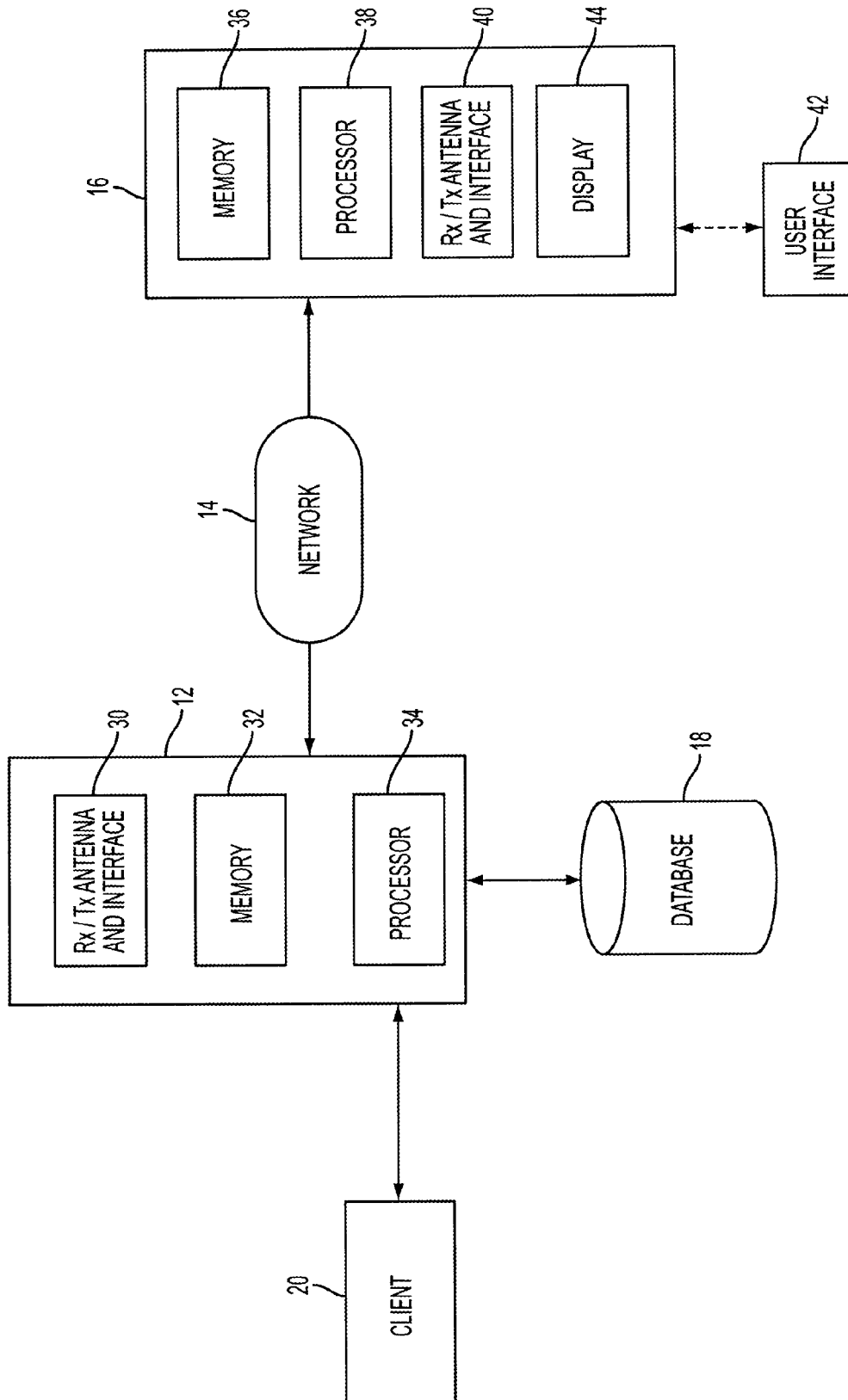


FIG. 6

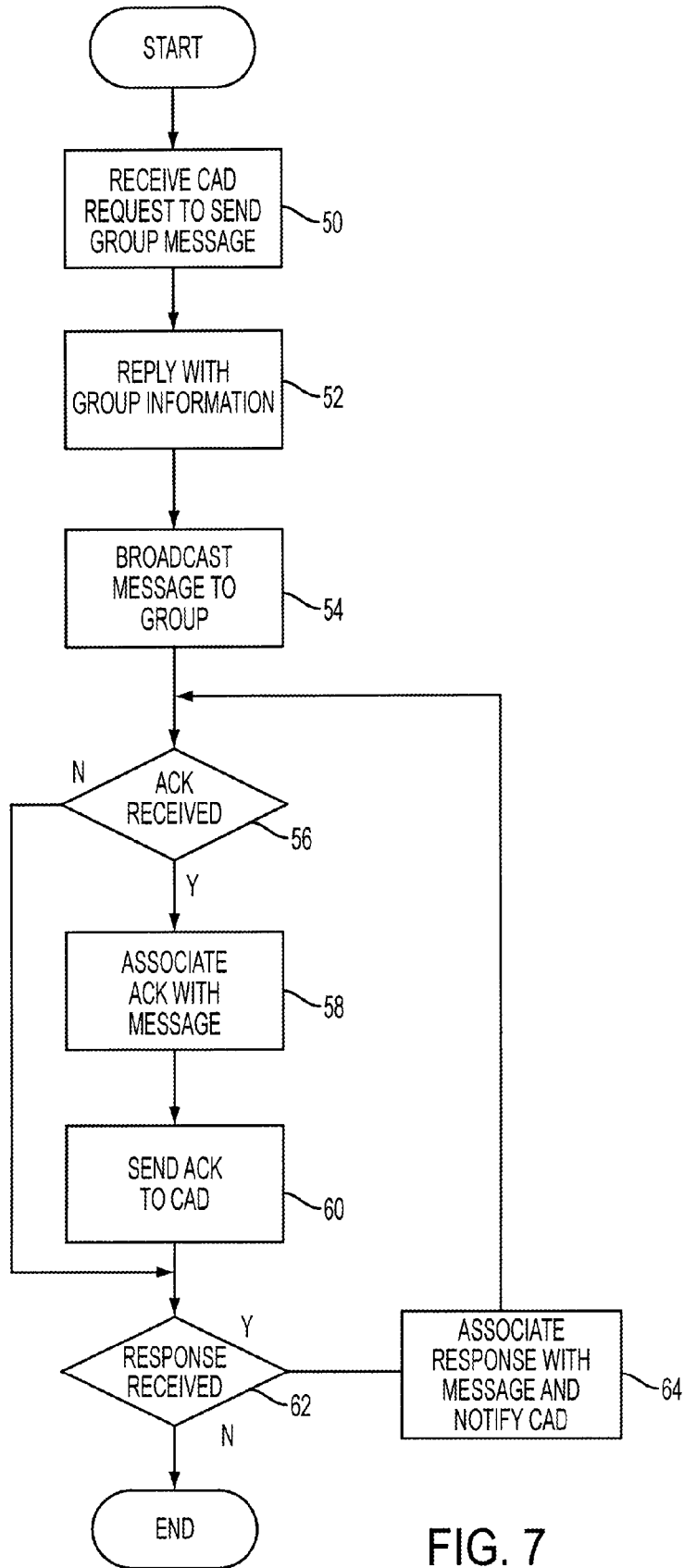


FIG. 7

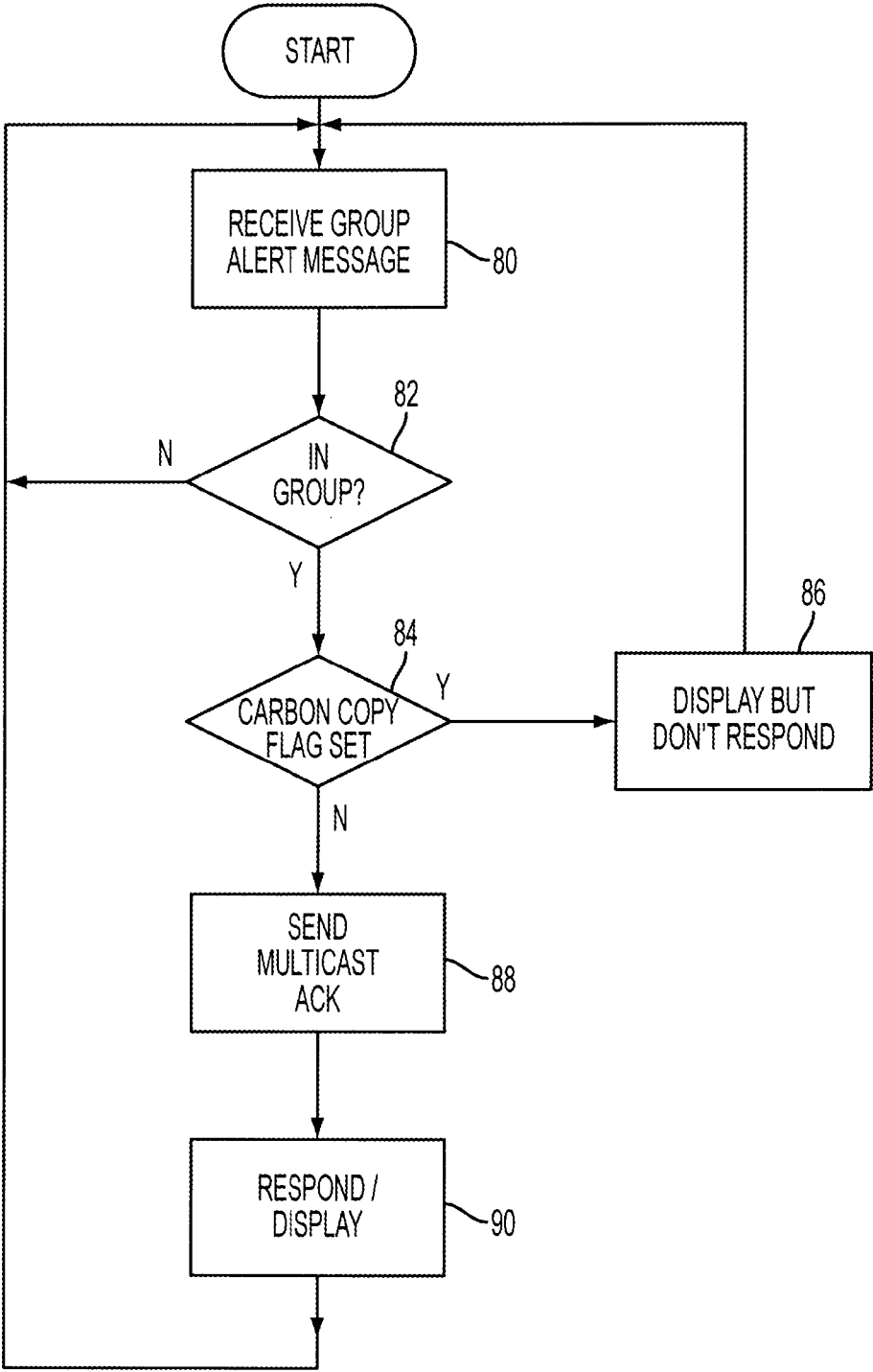


FIG. 8

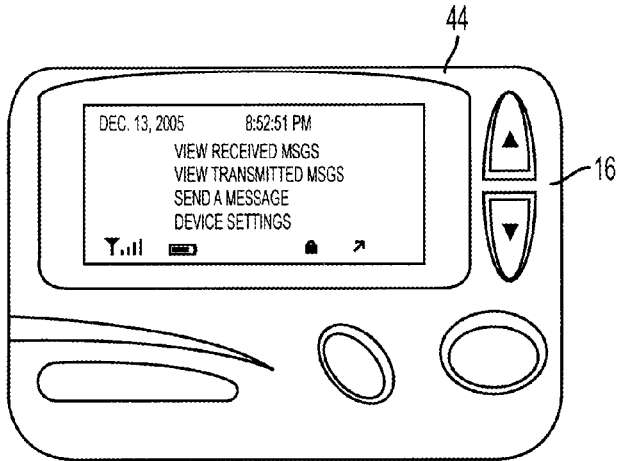


FIG. 9A

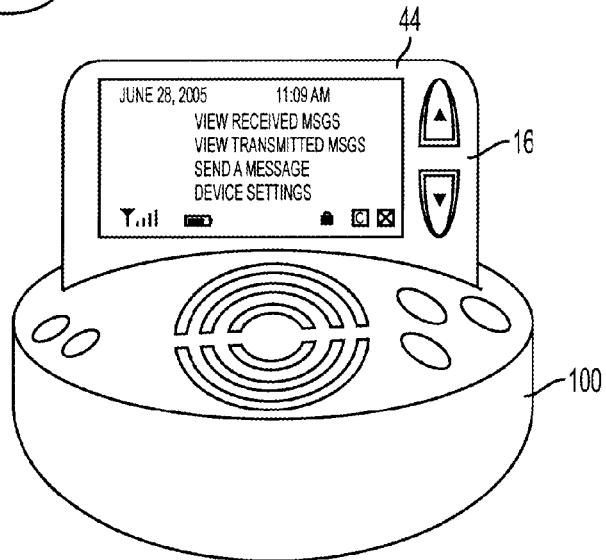


FIG. 9B

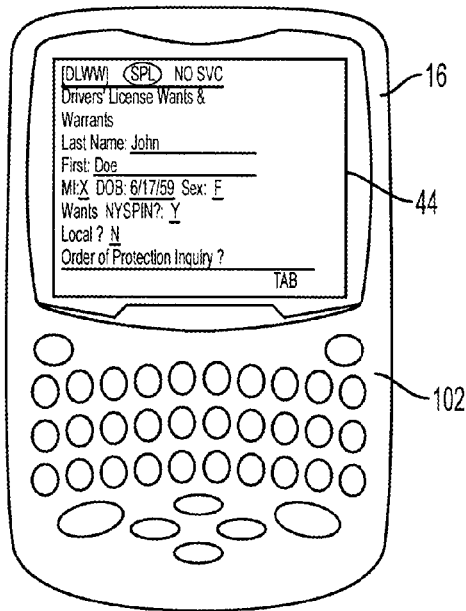


FIG. 10

US 9,014,659 B2

1

METHOD AND APPARATUS FOR EFFICIENT AND DETERMINISTIC GROUP ALERTING

This patent application is a continuation of U.S. patent application Ser. No. 13/476,641, filed May 21, 2012, which is a continuation of U.S. patent application Ser. No. 13/154,138, filed Jun. 6, 2011 (now issued as U.S. Pat. No. 8,199,740), which is a continuation of U.S. patent application Ser. No. 11/303,025, filed Dec. 16, 2005 (now issued as U.S. Pat. No. 7,969,959), which claims the benefit of U.S. provisional application Ser. No. 60/636,094, filed Dec. 16, 2004, the entire disclosures of which are incorporated herein by reference.

BACKGROUND OF THE INVENTION

The ability to alert and mobilize first responders is central to the readiness of any public safety agency. In the aftermath of recent major public safety events, including natural and man-made disasters, the public safety community has thoroughly examined all aspects of wireless interoperable voice communications. However, first responder alerting has remained largely unexamined for over a decade, and in communities relying on volunteer first responders, the critical importance of first responder alerting rivals that of interoperable voice communications.

Shortcomings with current alerting technologies are well documented in the public record. One analysis of communication failure during periods of profound crisis, the Arlington County After-Action Report on the Response to the September 11 Terrorist attack on the Pentagon available from Arlington County, Va., notes failures in all forms of communications, from initial alerting to tactical voice communication. As stated in this report, during the events of Sep. 11, 2001, radio channels became oversaturated, and interoperability problems among jurisdictions and agencies persisted throughout the entire response process. Otherwise compatible portable radios were preprogrammed in a manner that precluded interoperability. Cellular telephone systems and even the public switched telephone network (PSTN) became congested and unusable.

This report cited traditional, 1-way paging systems as the most reliable method of alerting and notification. However, the lack of a paging response channel left responders relying on other, less reliable forms of communication to escalate, reply to, or even confirm receipt of their instructions. These problems with cellular telephone networks and the PSTN limited the overall effectiveness of 1-way paging as an alerting system. This created serious operational challenges during the Sep. 11, 2001 series of events, and they will create similar problems in any such future events.

Even during day-to-day public safety activity, these alerting system limitations are problematic. In most cases, when volunteer groups are alerted by pager, incident commanders do not know who will actually respond until personnel begin to arrive on scene. This delay postpones decisions regarding escalation and mutual aid, letting critical time slip by before commanders can identify and correct problems with the response. This time period can define the success or failure of the response process, presenting a critical need for simple, inexpensive, pager-type devices that can reply to group messages.

However, public safety agencies still rely on 25-year old, 1-way paging technology as their core alerting solution. Many newer technologies are available, but for alerting, for a variety of reasons, these technologies do not provide a meaningful improvement over 1-way paging. Existing mobile data

2

systems are too expensive and too bulky for continual personal use. Digital and analog 2-way voice systems are similarly impractical for widespread, continuous deployment to volunteer forces. Several contemporary PCS technologies have integrated voice, data, and paging, but their complete dependence on commercial networks runs counter to commonly accepted reliability standards (e.g., NFPA-1221). Private broadband solutions (such as IEEE 802.11 and 802.16) provide high-capacity data capabilities, but they lack the coverage, portability, and resilience required for wide-area alerting of large volunteer forces. Contemporary 2-way paging systems perhaps come closest to meeting the alerting needs of public safety agencies. Like 1-way systems, these pagers are small, inexpensive devices that operate for long periods on battery power. However, these systems have no ability to acknowledge group messages.

More importantly, beyond the limitations described above, none of these systems provide a network interface sufficient to support acknowledged group messaging. Requiring that the message originator individually alert each recipient adds considerable setup delay when alerting large groups. This delay is eliminated when using network-supported call group or common address messages, but the message originator must have prior knowledge of group membership. If a message originator does not know the membership of the paged group, there is no context to know whether enough manpower is responding, or whether key individuals have been mobilized. Manually maintaining accurate group membership rosters between networks and message originators would be impractical since this is time consuming, difficult, and prone to errors. For a communications system to provide usable, acknowledged group alerting capabilities to public safety agencies, the network interface must provide group membership details when the group message is sent. Even if the mobile devices were capable of acknowledging group messages, current systems do not provide message originators this membership information regarding the alerted group. Simply guaranteeing that a message will be eventually delivered to all recipients is insufficient for public safety alerting applications. The message originator (dispatcher, incident commander, etc.) needs immediate feedback as to who has been alerted and how they have replied, as well as information concerning those who cannot be reached.

A need therefore exists for a 2-way paging system that could be improved with group message acknowledgement and a suitable system interface. Such a system would address the current shortcomings of public safety alerting systems, and could also provide other benefits. For instance, it could act as an improved personnel accountability system (PAS) for on-scene communications. Incident commanders could instantly notify responders of imminent threats, such as impending chemical release or structure failure, and verify receipt by all personnel. Responses could be expanded to include location information and health or equipment status information. Such systems, made practical because of the high performance and low cost of 2-way pagers, would both obviate traditional problems with interoperable on-scene communications and enable central oversight of critical real-time safety data.

While public safety's need for a system capable of acknowledged group alerting system is clear and well documented in the public record, no such system yet exists but for the present invention described herein.

SUMMARY OF THE INVENTION

The above-described deficiencies in the prior art are overcome and a number of advantages are realized by the present

US 9,014,659 B2

3

invention. In accordance with an aspect of the present invention, a method of efficient and deterministic alerting of a group of recipients over a wireless network is provided. Each recipient comprises at least one mobile device capable of transmitting and receiving data. The method comprises the steps of: storing data relating to recipients, groups and group members, in a memory device, the data comprising a recipient identifier for each of a plurality of recipients, one or more group identifiers corresponding to each of respective groups of recipients, the groups each comprising selected ones of the plurality of recipients, and group membership data comprising the recipient identifiers of the selected recipients corresponding to each of the group identifiers; providing the mobile device corresponding to each of the plurality of recipients with at least a subset of the data stored in the memory device, the subset of the data being stored in the mobile device and comprising its corresponding recipient identifier and the group identifier of each group to which that recipient belongs as a group member; wirelessly broadcasting a group message addressed with a selected one of the group identifiers, each of the mobile devices being configured to receive the broadcast group message, to analyze a group identifier provided with the group message, and send a response when the group identifier in the group message is determined to be for a group to which that mobile device belongs; monitoring for responses to the group message from the group members of the group identified by a group identifier provided in the group message; and storing acknowledgement data in the memory device for each of the group members, the acknowledgement data comprising a listing of each of the group members and an indication of response for each of the group members, the indication of response comprising at least one of an indication of no response when that group member has not yet responded to the group message, and an indication of response when a response sent by the mobile device of that group member has been received.

BRIEF DESCRIPTION OF THE DRAWINGS

The present invention can be further understood with reference to the following description and the appended drawings, wherein like elements are provided with the same reference numerals:

FIG. 1 is a diagram of a group alerting system constructed in accordance with an exemplary embodiment of the present invention;

FIG. 2 is a diagram of a database used in a group alerting system constructed in accordance with an exemplary embodiment of the present invention;

FIG. 3 is an isometric view of a switch or server used in a group alerting system constructed in accordance with an exemplary embodiment of the present invention;

FIG. 4 is a diagram of communication between a client and a server used in a group alerting system constructed in accordance with an exemplary embodiment of the present invention;

FIG. 5 is a diagram of a group alerting system constructed in accordance with an exemplary embodiment of the present invention;

FIG. 6 is a block diagram of a group alerting system constructed in accordance with an exemplary embodiment of the present invention;

4

FIG. 7 is a flow chart illustrating a sequence of operations for broadcasting a group message and group message acknowledgment in accordance with an exemplary embodiment of the present invention;

FIG. 8 is a flow chart illustrating a sequence of operations for receiving, acknowledging and processing group message at a mobile receiver in accordance with an exemplary embodiment of the present invention; and

FIGS. 9A, 9B and 10 are views of mobile receivers constructed in accordance with exemplary embodiments of the present invention.

DETAILED DESCRIPTION OF THE EXEMPLARY EMBODIMENTS

Overview

In accordance with the present invention, a system and method are provided for reliable, wireless group alerting in a system that comprises a database, switch, wireless network, and a plurality of intelligent mobile receivers, and employs a modified two-way paging protocol based on group messaging capability of the Motorola ReFLEX™ protocol and a novel ALOHA command for multicast acknowledgement (ACK) from mobile receivers. An encrypted message is broadcast to a group address. This message is received by a number of mobile receivers, each of which then acknowledges back to the system, decrypts the message, displays it to the user, and allows the user to respond, if they belong to the group address. The system employs centralized management to simplify the role of the mobile users and administrators, minimizing configuration and operational human errors that would otherwise result in confusion or lost messages. It also employs novel mechanisms to compress the responses from the receivers to use minimal airtime. The system is particularly relevant to public safety and critical infrastructure operators, where large group dispatches must be delivered quickly and deterministically to a heavily distracted mobile workforce, and their responses must be delivered to the dispatch center efficiently. As such, this system provides a comprehensive, meaningful solution to support distracted users with simple, resilient group messaging. It is to be understood that, while an exemplary embodiment is described herein that uses paging technology, the present invention can also be implemented using a cellular system, a wireless local area network or more specifically WiFi, or other wireless communication technology.

In accordance with an exemplary embodiment of the present invention, a system for group alerting employs a SPARKGAP™ network which utilizes a modified version of a protocol called ReFLEX™ developed by Motorola, Inc. for two-way paging and Narrowband PCS (NPCS). This system uses a 12.5 KHz channel pair operating in the 900 MHz band. It is to be understood, however, that the group messaging of the present invention can be implemented using other types of protocols and network devices.

In accordance with an aspect of the present invention, a SPARKGAP™ Dispatch Protocol (SDP) is provided as a streamlined means for a computer aided dispatch (CAD) system to communicate with two-way pagers on a SPARKGAP™ ReFLEX™ network. SPARKGAP™ is a ReFLEX™ network solution designed to control one or more base stations and provide two-way paging and mobile data coverage over an arbitrary geographical area. While this solution is similar in some ways to traditional one-way paging, two-way

US 9,014,659 B2

5

paging also differs significantly from its one-way counterpart. Two-way pagers acknowledge and reply to messages they receive, and they can originate their own messages. These additional capabilities outperform traditional paging input protocols (e.g., SNPP, TAP and TNPP). In addition, while more suitable second generation paging protocols exist (e.g., SMTP, SMPP, and WCTP), these newer protocols do not expose group membership information necessary for effective, acknowledged group messaging.

The SDP of the present invention is a transactional, TCP/IP protocol where the CAD system is the client and the SPARK-GAP™ is the server. It features synchronous, client-initiated request/response transactions as well as asynchronous server-driven events, minimizing latency and complexity and delivering a rational solution to the public safety space.

A Dispatch/Response Layer (DRL) is also provided in accordance with the present invention as a layer above the ReFLEX™ Air Protocol to support group messaging. The SDP and DRL are analogized as book ends in that they operate on either side of the ReFLEX™ network.

ReFLEX™ supports personal and information service (IS) messages. Personal messages involve a single recipient, and ReFLEX™ enables the receiving pager to acknowledge reception, notify that the user has read the message, and relay multiple-choice responses from the user. IS messages involve an arbitrary group of recipients sharing common group addresses called IS addresses. ReFLEX pagers can be configured with one personal address and multiple IS addresses. IS messages are strictly one-way and ReFLEX™ does not support any response or acknowledgement from the recipient group. The present invention, however, adds message acknowledgement, message read notification, and multiple-choice response capability to IS messages, creating an infrastructure for reliable multicast messaging within the ReFLEX™ protocol. As described further below, the present invention implements two significant changes to conventional 2-way paging. First, it defines a new ALOHA command ('Multicast ACK Command') used by a pager to reply to an IS message. Second, it defines a flag to select which devices are allowed to use this feature.

System Description

A system 10 configured in accordance with an exemplary embodiment of the present invention is depicted in FIG. 1. With reference to FIG. 1, a central switching system (hereinafter referred to generally as 'Switch') 12 connects to a Wireless Network 14 and communicates with a number of subscriber devices (hereinafter referred to generally as 'Receivers') 16 such as pagers, cell phones, or wireless personal data assistants (PDAs), or portable computer running WiFi. Each Receiver is assigned one identifying Primary Address and one or more multiple Group Addresses, and is capable of receiving broadcast alert messages directed to any of its addresses. The Switch 12 comprises a Receiver Database 18 comprising stored information describing receivers, their group membership, and connects to a Wireless Network 14 such as a PCS network employing cell broadcast, a paging network, or a broadcast-capable data network employing group addressing.

With reference to FIG. 2, the Receiver Database 18 comprises an independent table of Receivers 22 and an independent table of Groups 24. Each Receiver row in table 22 contains an identifying personal address, as well as other information specific to a single device 16 and its Wireless Network architecture. Each Group row in table 24 contains an identifying group address, an encryption key, and a symbolic

6

rows. Each Membership row assigns one receiver to one group. Membership rows contain GroupAddress and PersonalAddress columns, identifying a Group and Receiver row, respectively. Each Membership row also contains a ReceiverGroupNumber column, a small mnemonic value that uniquely identifies the Group from other Groups programmed into the same Receiver, and CC ('carbon copy') flag to define specific behavioral aspects of the Receiver. Receivers do not respond to messages received by group addresses if their CC flag is set, while they can respond to messages received by group addresses if their CC flag is clear. This mechanism allows users to monitor alerts to specific groups, without expectation by the source of the alerts for a response.

As administrative changes occur to the Receiver Database 18, configuration transactions are executed over the air with individual Receivers 16 to synchronize their configuration memory with the corresponding data in the Receiver Database 18. The system 10 therefore maintains an up-to-date image in the configuration memory of each Receiver 16, including a list of Group addresses, their ReceiverGroupNumber values, their symbolic names, encryption keys, and CC flags.

With reference to the flow charts in FIGS. 7 and 8, a 'Client' (e.g., a computer-aided dispatch center, a human user, or other network client 20) uses this system 10 to broadcast alert messages to groups of Receivers 16. To do so, the client 20 composes a message, preferably including display content and a list of response strings. The Client 20 then connects to the Switch 12 and requests transmission of the message to a particular group name (block 50). Depending on the architecture of the Wireless Network 14, either the Client 20 or the Wireless Network 14 assigns an identifying field to the message such that user responses can be associated with the correct message.

Upon receipt of the message, the Switch 12 responds to the Client 20 with detailed information on the group such as a list or a count of group members (block 52). It then encrypts the Group Message, assigns a cyclical message sequence number, and transmits the message to the Group Address (block 54). As described in more detail below in connection with the SPARKGAP™ dispatch protocol (SDP), the Switch 12 receives group message acknowledgment responses from the receivers 16 (block 56) that are associated with the broadcast group message (block 58) and provided to the Client 20 (block 60). Similarly, other types of responses generated as a result of the group message are associated with the broadcast group message (block 62) and provided to the Client 20 (block 64).

Upon receiving the Group Message (block 80), the Receivers 16 decrypt the message and display the content, group name, and multiple choice options to the user. Receivers employing paging technology that are not addressed in the group do not receive the message. Alternatively, a system 10 employing cellular broadcast of the message can receive but ignore the message if it is not in the addressed group (block 82). Each Receiver 16 with a CC flag of false transmits one or more acknowledgement codes through the Network 14 back to the Switch 12, specifying message received, message read notifications, and enumerated multiple-choice responses (block 84, 88 and 90). The datagram carrying the acknowledgement code also includes the personal address of the receiver 16, the ReceiverGroupNumber of the group address, and the message sequence number of the message, which together efficiently and uniquely identify the specific group message at the specific Receiver 16. Each Receiver 16 in the group with a CC flag of true does not transmit an acknowl-

edgment reply to the Switch 12 but rather merely displays the group message (blocks 84 and 86).

Each receiver 16 provides a configuration display for the user. This display allows the user to specify, by group name, how notification should occur for messages received by each group address. Similarly, the Switch provides an administrative human interface that allows a system administrator to set up and maintain the Receivers 16 belonging to each Group.

An Exemplary Computer Aided Dispatch (CAD) System

The foregoing system description discusses the high-level organization and data flow of an exemplary group messaging system 10 that can use any of a variety of network types. With reference to FIGS. 3, 4 and 5, the following is a description of an exemplary type of network, that is, a ReFLEX™ two-way paging network that incorporates the new group messaging layer of the present invention. FIG. 3 is a SPARKGAP™ network controller 12' which is configured to implement group messaging in accordance with an exemplary embodiment of the present invention. FIG. 4 illustrates the use of a SPARKGAP™ network controller or server 12' in a system configuration 10' similar to FIG. 1. FIG. 5 illustrates another system configuration 10'' in accordance with another exemplary embodiment of the present invention.

The SPARKGAP™ network controller or server 12' in FIG. 3 provides private two-way paging, mobile data, and wireless email over inexpensive channel pairs in the 900 MHz Enhanced Specialized Mobile Radio (ESMR) band or the Narrowband Personal Communication Services (N-PCS) band. Coverage can be configured for a single building, multiple counties, or state-wide service, for example, supporting small user devices such as pagers and personal data assistants (PDAs) with Motorola's proprietary ReFLEX™ protocol. Since the SPARKGAP™ server provides encrypted acknowledgement paging, responders reply immediately to CAD events and other messages directly from their pagers, and Advanced Encryption Standard (AES) encryption protects all transmissions. Since the SPARKGAP™ server 12' supports mobile applications, law enforcement officers can use PDAs as receivers 16 to connect wirelessly with municipal, state, and federal databases to run license checks, warrants, and other mobile applications. Further, the SPARKGAP™ server is useful for automatic vehicle location. Small, inexpensive GPS sending units can be used as receivers 16 to monitor vehicles and heavy equipment, sending real-time location and status information on a 24 hour per day, 7 day per week basis. The SPARKGAP™ server 12' can also support wireless e-mail. Users can send and receive secure, wireless email using pagers and PDAs.

The SPARKGAP™ server 12' can support one base station 15 or hundreds of base stations 15 in a network 14', each consisting of a standard 900 MHz paging transmitter and ReFLEX™ base receiver as shown in FIG. 5. A single station covers a 7-20 mile radius, and a network 14' can coordinate multiple stations using simulcast or cellular arrangements to optimize coverage and capacity. A single channel pair can serve thousands of users, and multiple channels can be aggregated for additional capacity. Even under worst-case peak conditions, the ReFLEX™ protocol uses centralized arbitration to prevent contention and channel overloading.

In accordance with an exemplary embodiment of the present invention, the SPARKGAP™ server 12' maintains a full packet data layer on top of paging, which is one of the most robust and most reliable communication technologies available, and leverages this foundation into a balanced set of features, coverage, and capacity. The SPARKGAP™ server 12' connects directly to computer-aided dispatch (CAD) systems, provides low latency messaging with virtually unbreak-

able security, and operates with the lowest cost-per-user and cost-per-coverage-area of any wireless data solution available. For additional resilience, redundant hot standby units maintain network operation even under catastrophic circumstances, keeping first responders connected when they are needed most.

As stated previously, the SPARKGAP™ protocol and associated server 12' provide a ReFLEX™ network solution designed to control one or more base stations 15 and provide two-way paging and mobile data coverage with user devices 16 over an arbitrary geographical area. While this solution is similar in some ways to traditional one-way paging, two-way paging also differs significantly from its one-way counterpart. Two-way pagers acknowledge and reply to messages they receive, and they can originate their own messages. These additional capabilities outperform traditional paging input protocols (e.g., SNPP, TAP and TNPP). In addition, while more suitable second generation paging protocols exist (e.g., SMTP, SMPP, and WCTP), these newer protocols do not expose group membership information necessary for effective, acknowledged group messaging.

Client 20/Server 12 Protocol

In accordance with an aspect of the present invention, a SPARKGAP™ Dispatch Protocol (SDP) is provided as a streamlined means for a computer aided dispatch (CAD) system 20' to communicate with two-way pagers 16 in, for example, a SPARKGAP™ ReFLEX™ network 14'. It is to be understood, however, that the group messaging of the present invention can be implemented using other types of protocols and network devices. The SDP of the present invention is a transactional, TCP/IP protocol where the CAD system is the client 20' and the SPARKGAP™ network controller 12' is the server. It features synchronous, client-initiated request/response transactions, as well as asynchronous server-driven events, to minimize latency and complexity and deliver a rational solution to the afore-mentioned issues relating to public safety and rapid response and communication. With reference to FIG. 6, the server or switch 12 or 12' comprises a memory device 32 and processor 34, which can be programmed to implement the SDP, as well as an interface 30 to the network 14 or 14'.

With further reference to FIG. 4, when employing SDP, the CAD system or client 20' connects to the SPARKGAP™ server 12' using TCP/IP on port 55000. The CAD system or client 20' initiates transactions with the SPARKGAP™ server 12' using a synchronous request/response model, that is, the CAD system 10' sends the SPARKGAP™ server 12' a request from a client 20', the SPARKGAP™ server 12' takes an action, and then the SPARKGAP™ server 12' sends the CAD system client 20' a response. Additionally, in order to minimize latency in delivering responses from the pagers, the SPARKGAP™ server 12' also sends asynchronous event notifications to the CAD system client 20' regarding message progress and responses from individual pagers.

The SDP will now be described in further detail. A description of protocol data units, transactions and events follows.

1. SDP Protocol Data Units

SDP requests, responses, and events are implemented as atomic protocol data units (PDUs) transmitted by the client 20 or 20' and server 12 or 12' using preferably a TCP/IP network. PDUs are serialized, and preferably always transmitted contiguously in their entirety. In other words, a node preferably never interrupts a partially transmitted PDU to begin another PDU. A PDU is preferably encoded using ASCII plain text, and consists of an identifying header followed by a collection of name/value attributes enclosed, as shown below, in curly brackets (braces).

1.1 Syntax

PDU's are preferably encoded using ASCII plain text according to the following specification:

```

Client-to-server transmission syntax:
"request" <request-number> <request-type> "{" <attribute-list> "}"
Server-to-client transmission syntax:
"event" <event-type> "{" <attribute-list> "}"
"response" <request-number> "{" <attribute-list> "}"
where,
<request-number> ::= <integer>
<request-type> ::= token
<event-type> ::= token
<attribute-list> ::= <attribute> [<attribute-list I
<attribute> ::= <attribute-name> "" <attribute-value> ""
<attribute-name> ::= token
<attribute-value> ::= <integer> <string>
<integer> ::= Base10 Integer Expression
<string> ::= string enclosed in double quotes
    
```

An example PDU exchange is illustrated as follows:

```

CAD to SPARKGAP™          SPARKGAP™ to CAD
-----
request 5066 SendMessage
{
  CadEventID="#CTYF041820772";
  MessageID="2004";
  DestinationID=Fire1;
  Display="Calling All Cars";
  AlertResponse=0;
  ReadResponse=1;
  MCR="On My Way";
  MCR="Busy";
  MCR="On Scene";
}

Response 5066
{
  ResultCode=0;
  ResultText="Message Queued";
};
Event PagerResponse
{
  Timestamp="07082004130553EST";
  MessageID="2004";
  CadEventID="#CTYF041820772";
  PagerID="229030020";
  PagerName="Doe, John";
  MessageRead=1;
}
    
```

1.2 Attribute Value Types

The SDP of the present invention preferably supports two attribute types, with string or integer values. Integer values are simply unsigned integers with no more than 32 significant bits, described using base-10 notation. Strings are simply printable ASCII strings contained in double quotes, and supporting the following escape sequences:

\n	New Line
\r	Carriage Return
\"	Double Quote
\\	Backslash
\###	An octal value

1.3 The Timestamp Attribute

All events contain a timestamp attribute marking the creation of the event. A timestamp value contains a string in a specific format:

MMDDYYYYHHMMSS

Where

MM is the 2-digit month (1-12)

DD is the 2-digit day of the month (1-31)

YYYY is the 4-digit year

HH is the 2 digit hour (0-23)

MM is the 2 digit minute (0-59)

SS is the 2 digit second (0-59)

T is the 1-4 character time zone abbreviation

1.4 Attribute Order

In some cases, attribute order is significant. For illustrative purposes, receiving nodes are expected to read and decode attributes from first to last in the PDU.

2. Transactions

A transaction is exchanged on the network as a request from the client, some action by the server, and a response from the server. The SDP preferably includes three transactions described below:

- Login
- SendMessage
- QueryMessage

2.1 Login

The Login transaction establishes the identity of the CAD client **20** or **20'** for purposes of reconnection. Should a TCP/IP connection be terminated, the SPARKGAP™ sever **12'** will queue events awaiting a reconnection.

2.1.1 Request

The request PDU contains the following attributes:

User (string, mandatory): This value contains the name or identity of the CAD system client **20** or **20'**, which preferably must match an entry in a SPARKGAP™ CAD account database in the database **18**.

Password (string, optional): This value contains the access password for the CAD system client **20** or **20'**. If the CAD account is set up without a password, then this attribute is not required.

Version (integer, mandatory): This value specifies the protocol version that the CAD system client **20** or **20'** is requesting for this session. The version is conveyed as the major number multiplied by 100 and added to the minor number. For illustrative purposes, this attribute value is 100.

2.1.2 Response

The response PDU contains the following attributes:

ResultCode (integer, mandatory): This value contains the result code of the transaction.

ResultText (string, optional): This value contains a human readable message string describing the result of the transaction.

Version (integer, mandatory): This value specifies the protocol version that the SPARKGAP™ sever **12'** is supporting for this session. The version is conveyed as the major number multiplied by 100 and added to the minor number. For illustrative purposes, this attribute value is 100.

System (string, optional): This value contains an identifying description of the SPARKGAP™-based system **10'**.

2.1.3 Example

This example illustrates a CAD system client **20** or **20'** logging into a SPARKGAP™ server **12'** as user "ECD911," requesting version 1.0 of the protocol. The SPARKGAP™ server **12'** grants the login and acknowledges version 1.0 support.

```

CAD to SPARKGAP™          SPARKGAP™ to CAD
-----
request 5066 login
{
  User="ECD911";
  Password="GH7y778";
  Version=100;
}
    
```

US 9,014,659 B2

11

-continued

CAD to SPARKGAP™	SPARKGAP™ to CAD
	Response 5066 { ResultCode=0; Version=100; ResultText="Connection Complete"; System="Sparkgap ESN 04000022"; }

2.2 SendMessage

The SendMessage transaction queues a message for delivery for one or more pager recipients 16. The transaction only queues the message for processing. As the message is processed and responses are received, a sequence of events will convey the results back to the CAD system 10'.

2.2.1 Request

The request PDU contains the following attributes

MessageID (string, mandatory): This value uniquely identifies the message from the client (CAD) 20 or 20' perspective. An identical MessageID attribute will be included in all subsequent events related to this message.

CadEventID (string, optional): This value uniquely identifies the precipitating CAD event. If present, an identical CadEventID attribute will be included in all subsequent events related to this message.

DestinationID (string, mandatory): This value specifies the target audience for the message. The DestinationID corresponds to the name of a group of pagers or an individual pager in the SPARKGAP™ database. The PDU may contain multiple DestinationID attributes, in which case the message will be directed to an aggregated group representing the net total of all recipients.

GroupDetail (integer, optional): This value conveys the client's desire to receive detailed information about group recipients in the transaction response. If this field is present and set to a non-zero value, then the response will include a PagerID and PagerName attribute for each constituent number of the group. If the GroupDetail attribute is not present or set to zero, then this information will not be included in the response.

Display (string, mandatory): This value contains the actual display message to be read by message recipients. Multiple Display attributes are arranged in the order they appear into a single unbroken message.

AlertResponse (integer, mandatory): If present and set to a non-zero value, this value instructs the SPARKGAP™ server 12' to notify the CAD client 20' as pagers 16 receive the message and alert their users.

ReadResponse (integer, optional): If present and set to a non-zero value, this value instructs the SPARKGAP™ server 12' to notify the CAD client 20' as users display the message on their pager.

MCR (string, optional): If present, MCR attributes specify "multiple-choice responses" to be presented to the user as reply options. Multiple MCR attributes may be included in the request. The first MCR encountered is number 0, the second is number 1, and so on. As users reply to the message, the SPARKGAP™ server 12' will relay appropriate PagerReply events to the CAD client 20'.

2.2.2 Response

The response PDU contains the following attributes:

ResultCode (Integer, mandatory): This value contains the result code of the transaction.

12

ResultText (string, optional): This value contains a human readable message string describing the result of the transaction.

GroupSize: This value specifies the total number or recipient members in the group.

PagerID (String, mandatory): This value contains the identification of one pager in the aggregate destination group. The presence of this attribute signifies that a corresponding PagerName attribute will follow. Together, these two fields are duplicated for each member of the total pager destination group.

PagerName (string, optional): The value contains the name of the pager user corresponding to the last PagerID value.

2.2.3 Example

This example illustrates a CAD system or client 20' sending the message "Calling all cars" to two dispatch groups, Fire1 and Fire34. The CAD system client 20 requests notification from each pager 16 when the users read the messages, but not when the pagers alert. The request includes a CadEventID and a MessageID so that the CAD system can properly categorize forthcoming events related to this message. The SPARKGAP™ server 12' queues the message and returns a successful result code in the response.

CAD to SPARKGAP™	SPARKGAP™ to CAD
request 5066 sendmessage { CadEventID="#CTYF041820772"; MessageID="2004"; DestinationID="Fire1"; DestinationID="Fire34"; GroupDetail=1; Display="Calling All Cars"; AlertResponse=0; ReadResponse=1; MCR="On My Way"; MCR="Busy"; MCR="Already On Scene"; }	Response 5066 { ResultCode=0; ResultText="Message Queued"; GroupSize=892; }

2.3 QueryMessage

The CAD client 20' initiates a QueryMessage transaction to discover present status of a previously sent message. The transaction response provides details about the message status as well as the status of all message recipients.

2.3.1 Request

MessageID (string, mandatory): This value identifies the message to be queried. It preferably must match the MessageID attribute of the SendMessage request that created the message.

2.3.2 Response

The response includes a message status, and a number of member status values in the form of an attribute group, PagerID, PagerName, PagerStatus. These three attributes may appear multiple times in the response to convey the status of multiple pagers in the message's aggregate destination group.

ResultCode (integer, mandatory): This value contains the result code of the transaction. If this value is not zero, then the MessageStatus, PagerID, PagerName, and PagerStatus fields will not be present.

US 9,014,659 B2

13

ResultText (string, optional): This value contains a human readable message string describing the result of the transaction.

MessageStatus (integer, mandatory): This value contains the present status of the message, as described in the table below.

PagerID (string, mandatory): This value contains the identification of one pager in the aggregate destination group. The presence of this attribute represents that a corresponding PagerName attribute may follow, and that a PagerStatus attribute will follow. Together, these two or three fields are duplicated for each member of the pager group total pager destination group.

PagerName (string, optional): This value contains the name of the pager user corresponding to the last PagerID value.

PagerStatus (string, mandatory): This value contains the status of the pager user corresponding to the most recent PagerID value in the PDU. PagerStatus values are enumerated in the table below.

PagerStatus and MessageStatus value enumerations are described below:

PagerStatus Values	
Value	Description
"Pending"	The message is pending for transmission.
"Sent"	The message has been sent to the device but not yet acknowledged in any way.
"Received"	The message has been successfully received by the device.
"Read"	The message has been read by the user.
"Answered"	The user has answered the message

MessageStatus Values	
Meaning	Description
"Pending"	The message is pending for transmission.
"Sent"	The message has been transmitted and is open for replies.
"Closed"	The message is closed.

2.3.3 Example

This example illustrates a CAD system client 20', querying for the message 2004. The SPARKGAP™ server 12' returns a MessageStatus of "Sent" to indicate that the message has been sent, and it returns individual deliver status codes on the four members of the group.

CAD to SPARKGAP™	SPARKGAP™ to CAD
request 5067 sendmessage { MessageID="2004"; }	Response 5067 { Result=0; MessageStatus="Sent"; PagerID="229030020"; PagerName="Doe, John"; PagerStatus="Read"; PagerID="229030109"; PagerName="Doe, Jane"; PagerStatus="Sent"; PagerID="229030043" PagerName="Orwell,

14

-continued

CAD to SPARKGAP™	SPARKGAP™ to CAD
	George"; PagerStatus="Read"; PagerID="229030025"; PagerName="Miller, Mark"; PagerStatus="Answered"; }

3 Events

SDP allows the SPARKGAP™ server 12' to send asynchronous events to the CAD system client 20' to notify it of message activity on the network. SDP includes two events:

- 15 PagerReply
- MessageComplete
- 3.1 PagerReply

This event informs the CAD system client 20' that a recipient pager 16 has responded in some way to a message. The event contains the following attributes

Timestamp (string, mandatory): This value specifies the time that the SPARKGAP™ server 12' received the information from the pager.

MessageID (string, mandatory): This value identifies the message, matching the MessageID attribute value of the SendMes sage request that created the message.

CadEventID (string, mandatory): This field is preferably only present if a CadEventID attribute existed in the Send-Message request that created the message. If it is present, it matches the value in the SendMes sage request.

PagerID (string, mandatory): This value contains the identification of the pager issuing the reply.

PagerName (string, optional): This value contains a descriptive name of the pager user.

UserAlerted (integer, optional): If this attribute is present and its value is non-zero, it means that the message was successfully received by the pager 16 and the user was alerted.

MessageRead (integer, optional): If this attribute is present, it means that the user displayed the message on the pager 16.

McrValue (integer, optional): If this attribute is present, the user selected a multiple-choice reply value indicated by the value.

McrText (string, optional): If this attribute is present, it contains the actual text of the selected multiple-choice reply.

MessageText (string, optional): If this attribute is present, it contains a manually typed response from the pager.

The PDU preferably will not aggregate events, but rather it will contain either UserAlerted, MessageRead, McrValue (and McrText), or MessageText. It preferably will not contain a combination of these fields. Each distinct pager response will arrive in its own event PDU with its own timestamp value.

In the following example, Pager 229030020 (John Doe) has responded to message 2004 with multiple-choice response number 2.

CAD to SPARKGAP™	SPARKGAP™ to CAD
	Event PagerResponse { Timestamp="07082004130553EST"; MessageID="2004"; CadEventID="#CTYF041820772"; PagerID="229030020";

-continued

CAD to SPARKGAP™	SPARKGAP™ to CAD
	<pre> PagerName="Doe, John"; UserAlerted=1; MessageRead=1; McrValue=2; McrText="Already On Scene"; } </pre>

3.2 MessageComplete

This event informs the CAD system client 20' that a message has transitioned to the closed state. The message record will remain in memory 18 for some time, but the system will no longer accept pager responses for it. This event contains the following attributes:

Timestamp (string, mandatory): This value specifies the time that the SPARKGAP™ closed the message.

MessageID (string, mandatory): This value identifies the message, matching the MessageID attribute of the SendMessage request that created the message.

CadEventID (string, mandatory): This value is only present if a CadEventID attribute existed in the original SendMessage request that created the message, and if it is present, it matches the value in the SendMessage request.

In this example, SPARKGAP™ announces that Message 2004 is closed:

CAD to SPARKGAP™	SPARKGAP™ to CAD
	<pre> Event MessageComplete { Timestamp="07082004130553EST"; MessageID="2004"; CadEventID="#CTYF041820772"; } </pre>

Result Codes

SDP supports the following result codes:

0	Transaction Completed Successfully
1000	Badly formed PDU
1001	Unknown recognized Request
2000	Invalid User/Password
3000	Message Queue Full - Try Again Later
3001	Unknown MessageID
3002	Unknown DestinationID
3003	Missing Required Attribute

Server or Switch 12/Mobile Receiver 16 Protocol

A Dispatch/Response Layer will now be described which is a layer above the ReFLEX™ Air Protocol that supports group messaging between a client 20 or 20' and a mobile device 16 in accordance with the present invention. The SDP and DRL are analogized as book ends in that they operate on either side of a ReFLEX network 14'.

1. Introduction

The present invention preferably provides for acknowledged group messaging support for the ReFLEX™ protocol. The ReFLEX™ protocol supports personal and information service (IS) messages. Personal messages involve a single recipient, and ReFLEX™ enables the receiving pager to acknowledge reception, notify that the user has read the message, and relay multiple-choice responses from the user. IS messages involve an arbitrary group of recipients sharing common group addresses called an IS addresses. ReFLEX™ pagers can be configured with one personal address and multiple IS addresses. IS messages are strictly one-way, and

ReFLEX™ does not support any response or acknowledgement from the recipient group.

The present invention adds message acknowledgement, message read notification, and multiple-choice response capability to IS messages, creating an infrastructure for reliable multicast messaging within the ReFLEX™ protocol. To this end, the present invention defines a new ALOHA command (Multicast ACK Command), and defines a flag in the 'Change Registration Command' to select which devices are allowed to use this feature.

The Dispatch/Response Layer (DRL) provides efficient and high-performance group and personal messaging over a ReFLEX™ network 14' between the server 12' and the user devices or receivers 16. DRL uses binary IS vectors and multicast ACK commands to deliver dispatch messages to groups of users and receive individual responses. It also provides a simple structure for personal messaging between individuals, and it is designed to operate over the Secure Paging Layer (SPL). SPL is an obvious, open-source encryption standard based on AES. This system 10 or 10', however, can be implemented with other encryption methods.

2. Overview

DRL supports both group and personal messages.

2.1 Group Messages

Group Messages are broadcast to a group of one or more pagers 16 using ReFLEX™ IS addresses. A Group Message includes a specially-formatted ReFLEX™ binary message broadcast by the network 14' to a group of pagers 16, and a number of ReFLEX™ Multicast ACK Command responses from the pagers 16 back to the network 14'. This type of message can contain a display message, a supervisory command, or both.

2.2 Personal Message

Personal messages are sent between a single pager 16 and the network 14' using a ReFLEX™ personal address. A Personal Message includes a specially-formatted ReFLEX™ binary message sent from the network to a pager, or a ReFLEX™ long inbound message from the pager to the network. Additionally, pagers may transmit ReFLEX™ ACK Responses, Multiple-Choice Commands, and Transaction Control Commands in response to forward messages.

The present invention provides for acknowledged group messaging support for ReFLEX™ protocol. The Multicast ACK command is a new ALOHA command used by a pager 16 to reply to an IS message. This command's MSN refers not to the device personal address, but instead to an IS address selected from the device codeplug with a 4-bit enumeration field. The 30-bit IS address itself is synchronized between the pager 16 and its home switch or server 12', using means similar to those provided by the open ReFLEX Exchange Protocol (RXP) and the Motorola Generic Over-The-Air Programming Protocol (GOTAP).

The 'Multicast ACK Command' contains a message sequence number (MSN), a 4-bit IS address identifier (ai) and a 7-bit reply identifier (mr). The IS address identifier specifies the IS address programmed into the pager, and MSN identifies the message being replied to, and the reply identified indicates the enumerated reply code.

The Multicast ACK Command reply identifier can specify responses pre-programmed in the pager (codes 0 through 63), responses embedded in the group message (codes 64 through 111), or supervisory messages, as follows:

124	Message received by pager
125	Message received by pager and read by user

-continued

126	Message received but could not be decoded
127	Message received with transmission errors

The network **14'** responds to the 'MulticastACK Command' with a 'Standard ACK' (Motorola ReFLEX 2.7.3 Specification, Section 3.10.9.2). In order to control where this feature is available (and which devices may use it), bit d4 of the 'Registration Grant' type 'Change Registration Command' (3.1 0.8.1) is redefined from 'reserved' to RM. An RM value of zero restricts the pager from transmitting the 'MulticastACK Command'. An RM value of one enables the pager to transmit the 'MulticastACK Command.'

On a per-message basis, the RE and RD bits (alphanumeric and binary vectors, respectively) determine whether the Multicast ACK Command may be transmitted for any particular IS message. If RE is 1 (or RD=0), and RM=1 during the last 'Registration Grant' seen by a device **16**, then it may transmit 'Multicast ACK Command' packets related to the message. Application protocols (such as Motorola FLEXSuite, and higher-level protocols) will determine which specific 'Multicast ACK Command' are appropriate for the message.

2.3 Device **16** Capabilities And Behavior

2.3.1 Multicast ACK Command

DRL uses ReFLEX™ IS addresses for personal messaging. Compliant DRL Devices **16** preferably support the Multicast ACK Command described above, and they support an additional non-volatile configuration bit for each IS address in their codeplug. This flag is called the 'CC' or "carbon copy" flag, and it serves to disable Multicast ACK Command responses on the specified IS address. The device **16** preferably supports at least 16 IS addresses and 16 CC bits, which are automatically synchronized over the air using GOTAP or similar means.

2.3.2 Performance

DRL is designed to support public safety, law enforcement, and other applications where timely delivery of personal and group messages is paramount. DRL devices **16** preferably support ReFLEX™ protocol version 2.7.3 reduced latency operation, in which they will examine each frame for IS or personal messages.

2.3.3 User Interface

DRL messages follow the 'e-mail' model and can include a from-address, a to-address, a subject and a message body. DRL devices **16** include one or more IS addresses configured for DRL group messaging, including a CC flag (set through GOTAP) and a group name (such as 'Ladder46', 'Hazmat', or 'TerkelyEMS²') maintained through DRL. Users can select alert options per IS address, using the symbolic name of the address to assist the user in organizing his in-box. Personal messages and group messages can appear in the same mailbox; group addresses preferably display the name of the group as the from address.

3. Message Structure

DRL preferably uses ReFLEX™ long binary messages adhering to the Motorola Route to Alternate Host (RAH) protocol as described in the Motorola FlexSuite™ of Enabling Protocols Specification Document. Preferably all DRL messages include a Message Header followed by Message Content.

3.1 Message Header

Headers can include the RAH SIF (0x11) and RAH Address ID (0x2d), followed by a DRL message type, as follows

DRL Message Header		
Field Name	Byte Length	Description
SIF	1	RAH SIF (0x11)
Address ID	1	RAH Address ID (0x2d)
Type	1	DRL Message Type

3.2 Message Content

Content type is identified by the Type field, as follows:

Type	Description
0	Ignore Message
1	Group Message
2	Personal Forward Message
3	Personal Reverse Message
4	Personal Response Message
5-255	Reserved

The message content consists of a sequence of octets following immediately after the Type field of the long message header.

4. Group Message

A Group Message preferably consists of a one-to-many broadcast message with recipient confirmation and reply options. Group alerts are transmitted as ReFLEX™ 1-Way binary IS messages with a DRL Type code of 1.

4.1 Forward Message

The group dispatch message initiates the group dispatch transaction, conveying a display message to a number of pagers. It is a DRL long message transmitted using a ReFLEX™ 1-way personal or IS address, and it contains a 1-byte Control field, and a Display field consisting of a number of null-terminated strings encoded according to the PACK7 format described in Appendix D of the Motorola FlexSuite™ of Enabling Protocols Specification Document.

Dispatch Message Content		
Field Name	Byte Length	Description
Control	1	Control Flags
Opcode	1	Execution opcode
Operand	Variable	Execution operand
Display	Variable	NULL-Terminated Display String List.

The Control field specifies how the pager **16** should respond. Opcode and Operand fields specify auxiliary action the device **16** should take in addition to or instead of displaying the message, and the Display field contains the actual display message.

4.1.1 Control Field

The Control field provides guidance on how the pager **16** should respond to the message:

Control Flag Definitions		
Bit	Name	Description
0	AckReceipt	Acknowledge receipt of the message
1	AckRead	Acknowledge reading of the message
2	UseMcr	Provide the user a multiple choice response
3-7	Reserved	Reserved flags (set to zero)

An AckReceipt value of 1 instructs the pager 16 to generate a ReFLEX™ Multicast ACK when the message is received, and an AckRead value of 1 instructs the pager to generate a Multicast ACK when the message is read by the user. A UseMCR value of 1 instructs the pager provide a multiple-choice response list to the user, including responses programmed into the pager as well as responses embedded into the message itself.

4.1.2 Operand/Opcode Field

Opcode and Operand fields specify auxiliary action the device 16 should take in addition to (or instead of) displaying the message. The Opcode field is a one byte value divided into upper and lower 4-bit fields. The upper 4 bits specifies the octet length of Operand, and the lower 4 bits specifies the action to be taken. The lower 4 bits use the following enumerations:

Operand Values		
Opcode	Operation	Description
0	No Operation	Take no action
1	Assign Name	Assign Group Name to Address
2	Execute	Execute Alerting Sequence
3-15	Reserved	Reserved

4.1.2.1 Opcode '0'—No Operation

This opcode specifies no operation and should be ignored.

4.1.2.2 Opcode '1'—Assign Group Name To Address

This opcode instructs the receiver 16 to assign a symbolic group name to the IS address, which are contained as one character per byte in the next 0-15 bytes. An operand length of zero implies 'no name,' while a length of 1-15 bytes indicate a 1-15 character long name.

4.1.2.3 Opcode '2'—Execute Alerting Sequence

This opcode instructs the receiver to execute a pre-programmed, external alerting sequence, such as a generating a public address tone, closing a relay contact or performing a sequence of relay closures, or printing the message. The first operand byte specifies the sequence to execute, which defaults to zero if no operand data is present. Operand data bytes 1-15, if present, contain additional parameters specific to the sequence. Devices that do not support this feature should ignore this opcode.

4.1.3 Display Field

The Display field is one continuous Pack7 field containing a list of null-terminated strings. These strings include, in order, the message subject, the message body, and up to 16 optional multiple-choice response strings. The subject and body are displayed to the user, and the response strings are presented as a list.

4.2 Multicast ACK Command Response

Under certain circumstances, the device may respond to the message with one or more Multicast ACK Commands. This behavior depends on 4 factors:

- values of the RD bit in the message vector,
- the Control field of the message,
- the RM value of the last 'Registration Grant' seen by a device, and
- the Multicast Ack Enabled flag of the IS address used

If RD=1 and RM=0, or Multicast Ack Enabled=0 then this command must not be used. Otherwise, the command should be sent under the following circumstances:

Upon Message Receipt

If AckReceipt of the Control field is 1, then the device 16 queues a Multicast ACK Command with mr=124 into its transmit queue when it receives a complete, error-free message.

Upon the User Viewing the Message

If AckRead of the Control field is 1, then the device 16 queues a Multicast ACK Command with mr=125 into its transmit queue when it receives a complete, error-free message.

Upon the User Selecting a Reply

If UseMcr of the Control field is 1, then the device 16 gives the user the option to select a reply string from an aggregated list including the replies programmed into the device and the replies embedded in the Display field. If the user selects a string, then the device 16 queues a Multicast ACK Command with mr=[0,111] into its transmit queue. Codes 0-63 are reserved for responses programmed in the pager, and codes 64-111 are reserved for any response strings in the Display field. The user may respond to the message multiple times.

Subsequent Multicast ACK Commands associated with the same message can be optimized, and some of them can be overlooked without loss of information. For instance, an mr of 125 or an mr in the [0,111] range implies that the message has been received and viewed. Depending on how fast the user reads and/or responds to a message, and depending on the ALOHA randomization interval of the system, the pager 16 may be able to skip transmission of Multicast ACK Response commands with mr values of 124 and 125 and simply transmit the multiple-choice reply code [0,111]. When possible, this is desirable in order to reduce congestion of the return channel.

5. Personal Message

A Personal Message is a human-readable message carried from one point to another. Personal Forward Messages are sent by the network 14' to one pager 16, and Personal Reverse Messages are sent by the pager 16 to the network 14'. The DRL model for Personal Messages is similar to an abbreviated version of SMTP.

5.1 Personal Forward Message

A Personal Forward Message is transmitted by the network 14' to the pager 16. It contains Display field consisting of a number of null-terminated strings in FlexSuite Pack7 format.

This message type can be delivered as a one-way or two-way long binary message to single pager 16, with acknowledgement, read response, and multiple-choice replies transmitted back using the ReFLEX™ signaling layer. Display contains an ordered list of strings: a from-address, a subject, a body, and an optional list of multiple-choice replies.

5.2 Personal Reverse Message

A Personal Reverse Message is transmitted by the pager 16 to the network 14'. It contains Display field consisting of a number of null-terminated strings in FlexSuite Pack7 format.

This message is delivered as a ReFLEX™ long inbound binary message. Display contains an ordered list of strings: a to-address, a subject, and a body.

Exemplary Tactical Alerting System

ReFLEX pagers are not fixed on a single channel for service, but rather scan continuously for a better, stronger, or more appropriate signal to serve them. This background scanning facilitates the present invention since it is this ability that allows these devices to seek out the correct channel for temporary use at the scene of an event.

In accordance with an exemplary embodiment of the present invention, a pager 16 is provided as shown in FIGS. 6, 9A, 9B and 10. With reference to FIG. 6, the pager 16 comprises a processor 38 programmed to implement the DRL, among other operations, a memory 36 for storing, for example, group configuration information, a display 44 and an interface 40 to the network 14. The pager 16 can be connected directly to a user interface 42 for facilitating customi-

21

zation of the group configuration information, for example, to allow the pager 16 to respond differently to messages directed to different group addresses. As shown in FIGS. 9A and 9B, the pager 16 has a display for displaying different screens and different options thereon. For example, the main screen shown on the display 44 in FIG. 9A indicates time and date and a menu listing such options as "VIEW RECEIVED MSGS", "VIEW TRANSMITTED MSGS", "SEND A MESSAGE" and "SERVICE SETTINGS". As shown in FIG. 9B, the pager 16 can be provided with a charger console 100 which can also have an input to the user interface 42. As shown in FIG. 10, the pager 16 can be provided with a QWERTY keypad 102, among other buttons and controls.

The pager 16 can be used by responding personnel on a day-to-day basis as a wide-area alerting device, but also as a tactical alerting device at the scene of an incident. The pager preferably operates on any programmed ReFLEX™2.7.x network. If an on-scene SPARKGAP™ (for instance, mounted into a mobile communications center) is operating with its own base station and an RXP connection to the wide area system, the pager 16 can register with the on-scene SPARKGAP™ when the responder arrives. When the pager 16 arrives at the site of an event with an established on-scene network such as the switch 12' (e.g., the SPARKGAP™ server), the pager 16 automatically finds this system 10, switches to the proper channel, and registers. As long as that pager 16 is in the coverage area of the on-scene SPARKGAP™ server 12', it will be a part of the community of pagers 16 receiving messages from the command post for that particular occurrence. Once the on-scene network is shutdown, or the responder leaves the coverage area, the pager 16 will re-register on the wide-area system.

The on-scene SPARKGAP™, and pagers, can be pre-loaded with one or more IS addresses reserved for tactical alerting. Incident commanders can send messages to these IS addresses to notify users on-scene of impending tactical issues, such as imminent structural failure or impending chemical release. In addition to the ability to automatically find the channel being used at the scene of a major event, the pager 16 is also equipped with louder than normal (>85 dB at 30 cm) alerting tone and strong vibrator to ensure the user is aware of an incoming message. With appropriate configuration, tactical alert messages can be sent to specific groups of user, or to all users on scene. Additionally, AES encryption is available to prevent inappropriate interception of tactical alerts.

Because the on-scene system is connected by RXP to the wide-area network, pagers also continue to send and receive normal personal and group messages from the wide area system. However, the pager can be configured with unique alert tones to allow personnel to recognize incoming tactical messages, and the on-scene SPARKGAP can even temporarily configure local devices so that they only alert the user when tactical messages are received.

Modern wide-area paging networks utilize the 900 MHz band of radio spectrum. Some of these channels are dedicated to the NPCS Radio Service (FCC Part 24) and others are found in Business and Industrial Radio Service (FCC Part 90) making them available to a wide range of system operators. The pager 16 uses frequencies in either or both of these channel segments based on programming within the paging device itself.

When a major public safety event occurs, it is normal for the involved agencies to establish a command post at or near the scene of the event. Many times this is a motor home-style vehicle equipped to resemble a control room with banks of computers, radios and a meeting area used for staff briefings.

22

As a critical part of this command post, a SPARKGAP™ server 12' can be installed to control the ReFLEX™ paging devices 16 carried to the scene by various responders. Once this system 10' (FIG. 4) is activated, pagers 16 that are pre-programmed with the on-scene channels would lock onto the network at the scene and check in. A display of all registered paging devices could be used to monitor the presence of personnel as they arrive.

If it was necessary to call a general evacuation of the scene, this message would be sent via the server 12' and each device 16 would acknowledge receipt and reading of the message. Paging allows the message to be sent to multiple users at the same time. The site command personnel would have an instant view of those who did not respond to the alert and could take immediate alternative action to get the message to them.

In this way, paging is analogous to an electronic equivalent of a lifeline attached to each person at the scene. Notifying them to evacuate by sending an alert message would be like pulling on that line and getting a tug as a response. The structure of a paging network provides the highest efficiency when it comes to alerting multiple users to an important message. And more importantly, the system 10 or 10' of the present invention gives the incident commander a confirmed indication that the message was received and read by the personnel to whom it was sent.

It will be appreciated by those skilled in the art that the present invention can be embodied in other specific forms without departing from the spirit or essential characteristics thereof. The presently disclosed embodiments are therefore considered in all respects to be illustrative and not restricted. The scope of the invention is indicated by the appended claims rather than the foregoing description and all changes that come within the meaning and range and equivalence thereof are intended to be embraced therein.

What is claimed is:

1. A method of alerting a group of recipients over a wireless network and providing acknowledged group messaging, each recipient comprising at least one mobile device capable of transmitting and receiving data, the method comprising the steps of:

storing data relating to recipients, groups and group members, in a memory device, the data comprising a recipient identifier for each of a plurality of recipients, one or more group identifiers corresponding to each of respective groups of recipients, the groups each comprising selected ones of the plurality of recipients, and group membership data comprising the recipient identifiers of the selected recipients corresponding to each of the group identifiers;

providing the mobile device corresponding to each of the plurality of recipients with at least a subset of the data stored in the memory device, the subset of the data being stored in the mobile device and comprising its corresponding recipient identifier and the group identifier of each group to which that recipient belongs as a group member;

wirelessly transmitting a group message to the mobile device corresponding to each recipient in a selected group of recipients, each of the mobile devices being configured to receive the broadcast group message and send a response when the group message is determined to be for a group to which that recipient belongs as a group member;

monitoring for responses to the group message from the group members; storing acknowledgement data in the memory device for each of the group members, the

23

acknowledgement data comprising a listing of each of the group members and an indication of response for each of the group members, the indication of response comprising at least one of an indication of no response when that group member has not yet responded to the group message, and an indication of response when a response sent by the mobile device of that group member has been received;

determining a type of message to send to at least one recipient based on the stored acknowledgement data; and

wirelessly transmitting the message to the at least one recipient.

2. A method as claimed in claim 1, wherein the group message is sent using at least one of paging communications, cellular communications, two-way radio communications, wireless local-area network employing IEEE 802.11 standard for "Wi Fi", wireless metropolitan-area network employing IEEE 802.16 standard for "WiMAX", wireless area network employing IEEE 802 standard communications, wireless broadband network, and wireless network.

3. A method as claimed in claim 1, wherein the responses are sent using at least one of paging communications, cellular communications, two-way radio communications, wireless local-area network employing IEEE 802.11 standard for "Wi Fi", wireless metropolitan-area network employing IEEE 802.16 standard for "WiMAX", wireless area network employing IEEE 802 standard communications, wireless broadband network, and wireless network.

4. A method as claimed in claim 1, wherein the message transmitted to the at least one recipient is sent using at least one of paging communications, cellular communications, two-way radio communications, wireless local-area network employing IEEE 802.11 standard for "Wi Fi", wireless metropolitan-area network employing IEEE 802.16 standard for "WiMAX", wireless area network employing IEEE 802 standard communications, wireless broadband network, and wireless network.

5. A method as claimed in claim 1, wherein the message transmitted to the at least one recipient is a personal message sent to a selected one or more of the recipients.

6. A method as claimed in claim 1, wherein the group message has a message identifier and the responses comprise the message identifier to facilitate associating responses to corresponding group message.

7. A method as claimed in claim 1, wherein the response comprises at least one of message received indicator, message read indicator, a reply selected from among multiple choice options, and an alphanumeric text reply entered by the recipient via the mobile device.

8. A method as claimed in claim 1, further comprising: updating at least one of the recipient identifier, the group identifier and the group membership data stored in the memory device whenever a recipient, group or group member is added or deleted; and updating data stored in a mobile device based on the data stored in the memory device.

9. A method as claimed in claim 1, wherein the transmitting of the group message is performed via a dispatch center, and the monitoring is performed via a network device.

10. A deterministic group messaging system providing acknowledged group messaging comprising:

a memory device configured to store
a recipient identifier for each of a plurality of recipients,
a group identifier corresponding to each of respective groups of recipients, the groups each comprising selected ones of the plurality of recipients, and

24

group membership data comprising the recipient identifiers of the selected recipient corresponding to each of the group identifiers,

wherein at least one mobile device corresponding to each of the plurality of recipients is provided with at least a subset of the data stored in the memory device, the subset of data being stored in the mobile device and comprising its corresponding recipient identifier and the group identifier of each group to which that recipient belongs as a group member; and

a control module comprising at least one processing device that is configured to access the memory device and is programmed to

wirelessly transmit a group message to the mobile device corresponding to each recipient in a selected group of recipients, each of the mobile devices being configured to receive the group message and send a response when the group message is determined to be for a group to which that recipient belongs as a group member,

monitor for responses to the group message, store acknowledgement data in the memory device for each of the group members, the acknowledgement data comprising a listing of each of the group members and an indication of response for each of the group members, the indication of response comprising at least one of an indication of no response when that group member has not yet responded to the group message, and an indication of response when a response sent by the recipient device of that group member has been received,

determine a type of message to send to at least one recipient based on the stored acknowledgement data, and

wirelessly transmit the message to the at least one recipient.

11. A system as claimed in claim 10, wherein the group message is sent using at least one of paging communications, cellular communications, two-way radio communications, wireless local-area network employing IEEE 802.11 standard for "Wi Fi", wireless metropolitan-area network employing IEEE 802.16 standard for "WiMAX", wireless area network employing IEEE 802 standard communications, wireless broadband network, and a wireless network.

12. A system as claimed in claim 10, wherein the responses are sent using at least one of paging communications, cellular communications, two-way radio communications, wireless local-area network employing IEEE 802.11 standard for "Wi Fi", wireless metropolitan-area network employing IEEE 802.16 standard for "WiMAX", wireless area network employing IEEE 802 standard communications, wireless broadband network, and wireless network.

13. A system as claimed in claim 10, wherein the message transmitted to the at least one recipient is sent using at least one of paging communications, cellular communications, two-way radio communications, wireless local-area network employing IEEE 802.11 standard for "Wi Fi", wireless metropolitan-area network employing IEEE 802.16 standard for "WiMAX", wireless area network employing IEEE 802 standard communications, wireless broadband network, and wireless network.

14. A system as claimed in claim 10, wherein the message transmitted to the at least one recipient is a personal message sent to a selected one or more of the recipients.

15. A system as claimed in claim 10, wherein the group message has a message identifier and the responses comprise

US 9,014,659 B2

25

26

the message identifier to facilitate associating responses to corresponding group message.

16. A system as claimed in claim **10**, wherein the control module is further configured to update at least one of the recipient identifier, the group identifier and the group membership data stored in the memory device whenever a recipient, group or group member is added or deleted, and update data stored in a mobile device based on the data stored in the memory device.

17. A system as claimed in claim **16**, wherein the control module is configured to update data stored in a mobile device with the data stored in the memory device using wireless communication to the recipient devices.

18. A method as claimed in claim **10**, wherein the at least one processing device comprises a processing device at a dispatch center to transmit the group message, and a processing device at a network device to monitor the responses.

* * * * *