

JUDGE SCROFIELD

UNITED STATES DISTRICT COURT  
SOUTHERN DISTRICT OF NEW YORK

CHICKIE OTT

19CV8552

Write the full name of each plaintiff.

CV  
(Include case number if one has been assigned)

-against-

VERIZON INC.

COMPLAINT

Do you want a jury trial?  
 Yes  No

Write the full name of each defendant. If you need more space, please write "see attached" in the space above and attach an additional sheet of paper with the full list of names. The names listed above must be identical to those contained in Section II.

NOTICE

The public can access electronic court files. For privacy and security reasons, papers filed with the court should therefore *not* contain: an individual's full social security number or full birth date; the full name of a person known to be a minor; or a complete financial account number. A filing may include *only*: the last four digits of a social security number; the year of an individual's birth; a minor's initials; and the last four digits of a financial account number. See Federal Rule of Civil Procedure 5.2.

**I. BASIS FOR JURISDICTION**

Federal courts are courts of limited jurisdiction (limited power). Generally, only two types of cases can be heard in federal court: cases involving a federal question and cases involving diversity of citizenship of the parties. Under 28 U.S.C. § 1331, a case arising under the United States Constitution or federal laws or treaties is a federal question case. Under 28 U.S.C. § 1332, a case in which a citizen of one State sues a citizen of another State or nation, and the amount in controversy is more than \$75,000, is a diversity case. In a diversity case, no defendant may be a citizen of the same State as any plaintiff.

What is the basis for federal-court jurisdiction in your case?

**Federal Question**

**Diversity of Citizenship**

**A. If you checked Federal Question**

Which of your federal constitutional or federal statutory rights have been violated?

PATENT INFRINGEMENT  
\_\_\_\_\_  
\_\_\_\_\_  
\_\_\_\_\_

**B. If you checked Diversity of Citizenship**

**1. Citizenship of the parties**

Of what State is each party a citizen?

The plaintiff, \_\_\_\_\_, is a citizen of the State of  
(Plaintiff's name)

\_\_\_\_\_  
(State in which the person resides and intends to remain.)

or, if not lawfully admitted for permanent residence in the United States, a citizen or subject of the foreign state of

\_\_\_\_\_  
If more than one plaintiff is named in the complaint, attach additional pages providing information for each additional plaintiff.

If the defendant is an individual:

The defendant, \_\_\_\_\_, is a citizen of the State of \_\_\_\_\_  
(Defendant's name)

or, if not lawfully admitted for permanent residence in the United States, a citizen or subject of the foreign state of \_\_\_\_\_

If the defendant is a corporation:

The defendant, \_\_\_\_\_, is incorporated under the laws of the State of \_\_\_\_\_

and has its principal place of business in the State of \_\_\_\_\_

or is incorporated under the laws of (foreign state) \_\_\_\_\_

and has its principal place of business in \_\_\_\_\_

If more than one defendant is named in the complaint, attach additional pages providing information for each additional defendant.

**II. PARTIES**

**A. Plaintiff Information**

Provide the following information for each plaintiff named in the complaint. Attach additional pages if needed.

CHICKS211E		OTTAH
First Name	Middle Initial	Last Name
648	DOROTHIA	LOVIE
Street Address		
Emory	N.Y.	11003
County, City	State	Zip Code
718 581 4538	eddyottah@yahoo.com	
Telephone Number	Email Address (if available)	

**B. Defendant Information**

To the best of your ability, provide addresses where each defendant may be served. If the correct information is not provided, it could delay or prevent service of the complaint on the defendant. Make sure that the defendants listed below are the same as those listed in the caption. Attach additional pages if needed.

Defendant 1: VARIZONE ILL.  
 First Name Last Name

Corporate  
 Current Job Title (or other identifying information)

1095 6<sup>th</sup> AVE. NY N.Y. 10036  
 Current Work Address (or other address where defendant may be served)

County, City State Zip Code

Defendant 2:

\_\_\_\_\_  
 First Name Last Name

\_\_\_\_\_  
 Current Job Title (or other identifying information)

\_\_\_\_\_  
 Current Work Address (or other address where defendant may be served)

\_\_\_\_\_  
 County, City State Zip Code

Defendant 3:

\_\_\_\_\_  
 First Name Last Name

\_\_\_\_\_  
 Current Job Title (or other identifying information)

\_\_\_\_\_  
 Current Work Address (or other address where defendant may be served)

\_\_\_\_\_  
 County, City State Zip Code

Defendant 4:

First Name

Last Name

Current Job Title (or other identifying information)

Current Work Address (or other address where defendant may be served)

County, City

State

Zip Code

III. STATEMENT OF CLAIM

I OBSERVED VANDALISM USING, IMAGING  
Place(s) of occurrence: A COMPUTER (BOOK) HOLDER IN TRUCK VEHICLE  
A PICTURE EVIDENCE IS ATTACHED

Date(s) of occurrence: 09/27/11

FACTS:

State here briefly the FACTS that support your case. Describe what happened, how you were harmed, and what each defendant personally did or failed to do that harmed you. Attach additional pages if needed.

SEE TRS ATTACH COPY

**INJURIES:**

If you were injured as a result of these actions, describe your injuries and what medical treatment, if any, you required and received.

SRB TO ATTACH COPY

**IV. RELIEF**

State briefly what money damages or other relief you want the court to order.

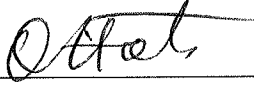
SEE TO ATTACH COPY

**V. PLAINTIFF'S CERTIFICATION AND WARNINGS**

By signing below, I certify to the best of my knowledge, information, and belief that: (1) the complaint is not being presented for an improper purpose (such as to harass, cause unnecessary delay, or needlessly increase the cost of litigation); (2) the claims are supported by existing law or by a nonfrivolous argument to change existing law; (3) the factual contentions have evidentiary support or, if specifically so identified, will likely have evidentiary support after a reasonable opportunity for further investigation or discovery; and (4) the complaint otherwise complies with the requirements of Federal Rule of Civil Procedure 11.

I agree to notify the Clerk's Office in writing of any changes to my mailing address. I understand that my failure to keep a current address on file with the Clerk's Office may result in the dismissal of my case.

Each Plaintiff must sign and date the complaint. Attach additional pages if necessary. If seeking to proceed without prepayment of fees, each plaintiff must also submit an IFP application.

09/13/19			
Dated		Plaintiff's Signature	
CHILEZIE		OTTAH	
First Name	Middle Initial	Last Name	
648	DORO TARA	LOUIE	
Street Address			
Emani		N.Y.	11003
County, City		State	Zip Code
718 581 4539			
Telephone Number		Email Address (if available)	

I have read the Pro Se (Nonprisoner) Consent to Receive Documents Electronically:

Yes    No

If you do consent to receive documents electronically, submit the completed form with your complaint. If you do not consent, please do not attach the form.

# CERTIFIED MAIL® RECEIPT

Domestic Mail Only

For delivery information, visit our website at [www.usps.com](http://www.usps.com)

NEW YORK NY 10036

Certified Mail Fee \$3.45

- Extra Services & Fees (check box, add fee as appropriate)
- Return Receipt (hardcopy) \$0.00
  - Return Receipt (electronic) \$0.00
  - Certified Mail Restricted Delivery \$0.00
  - Adult Signature Required \$0.00
  - Adult Signature Restricted Delivery \$0.00

Postage \$0.50

Total Postage and Fees \$3.95  
VR04204B

Sent To

Street and Apt. No., or PO Box No.

1095 6th Ave.

City, State, ZIP+4®

N.Y. N.Y. 10036



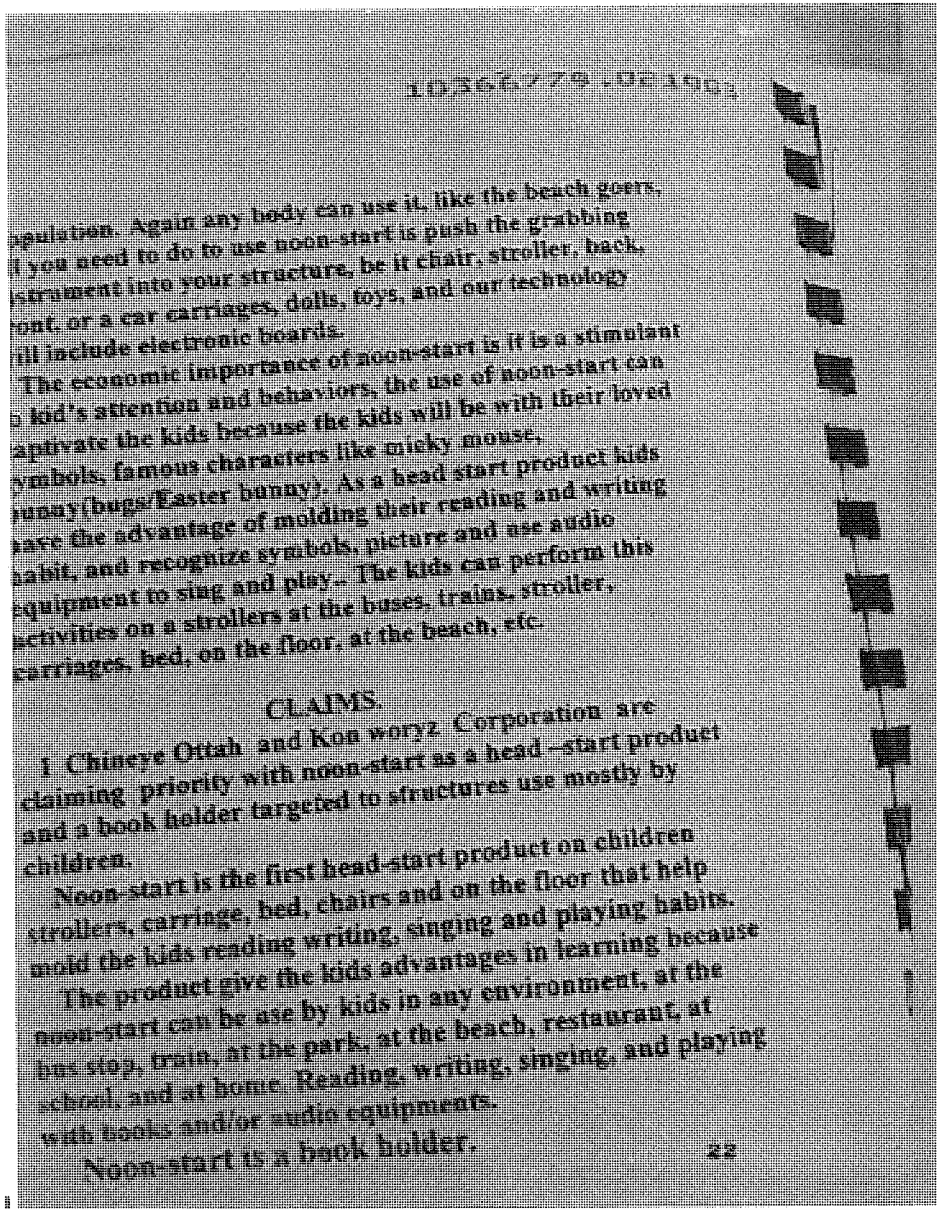
7017 3380 0000 09EE 2101



**getfios.com**

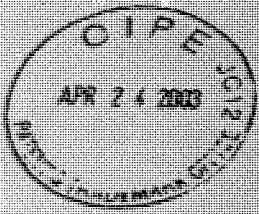


PAGE 2



I swear in the laws of United States of America, this is a true CLAIM from the original copy of US Patent 10/366, 779. It is shown herein as disclosed, it is fair, merit, correctly and legally incorporated into US 840 and encompassed into US 840 Patent claim. See US Patent 840, Page 6, paragraph 1. See prosecution history in the specification, paragraphs 0034-0039.

10366779.042403



PAGE 2

carriage, bed, chairs  
and on the floor that  
help mold the kids  
reading, writing,  
singing and playing  
habits.

The product give the  
kids advantages in  
learning because noon-  
start can be use by kids  
in any environment, at

mobile vehicles

the bus stop, train, at  
the park, at the beach,

Page 2

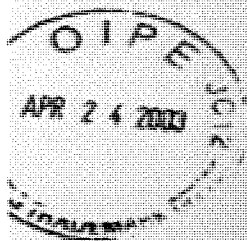
restaurant, at school,  
and at home. Reading,  
writing, singing, and  
playing with books

U and/or audio "  
→ equipments.

Claim of  
TECHNOLOGY  
and EQUIPMENT

Noon start is a  
book-holder.

10366779.042402



PAGE 2

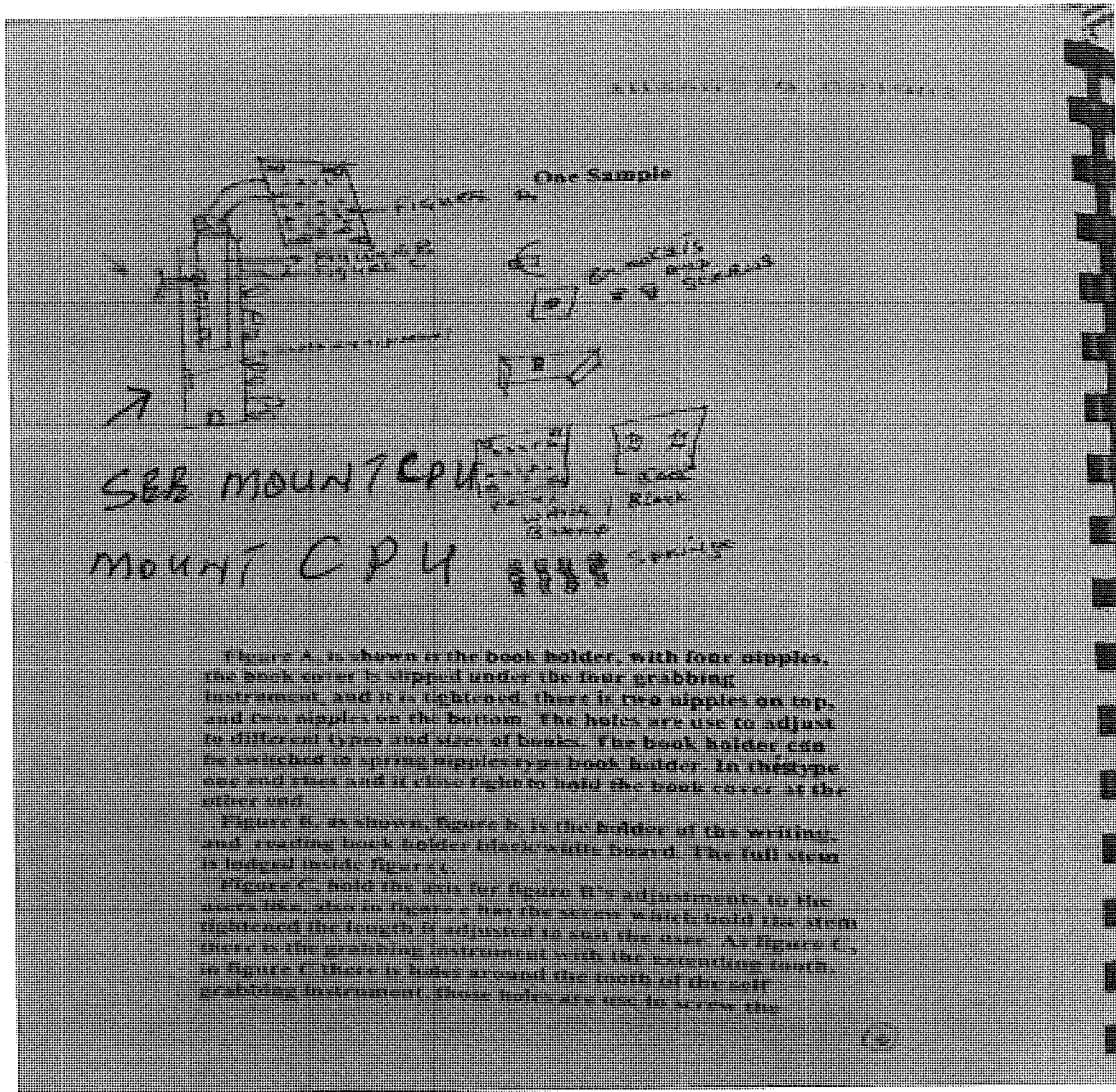
**CLAIMS.**

**I Chineye Ottah and Chikezie Ottah are claiming priority with noon-start as a head-start product and a book holder targeted to structures use mostly by children.**

**Noon-start is the first head-start product on children strollers,**

Claim Priority →  
5, WITH BOOK & AUDIO VIDEO EQUIPMENT

PAGE 3



SURFACE FRONT ADAPTED FOR SUPPORTING A BOOK, HEREIN A CAMERSA. THE COURT WANT ME TO ADDRESS THAT." Drawings and pictures can anticipate claims if they clearly show the structure which they are claimed. In re Mraz, 28 F.2d 1069, 173 USPQ25 (ccpa 1972" , see Jockmus V. Leviton, 28 F.2d 812(2<sup>nd</sup> Cir.1928. the model have been established, the method with elements, screw and camera are thesame

PAGE 2

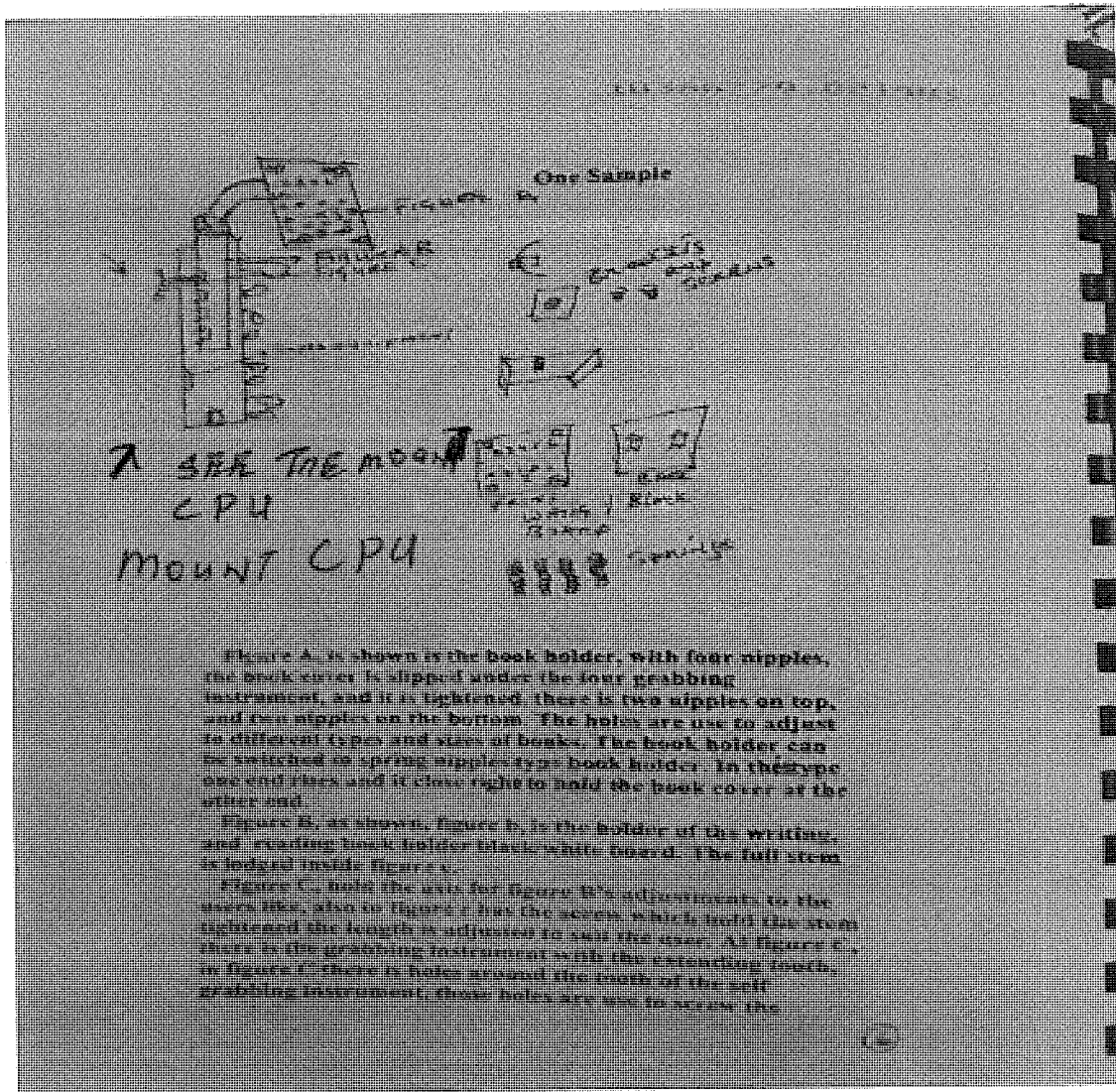


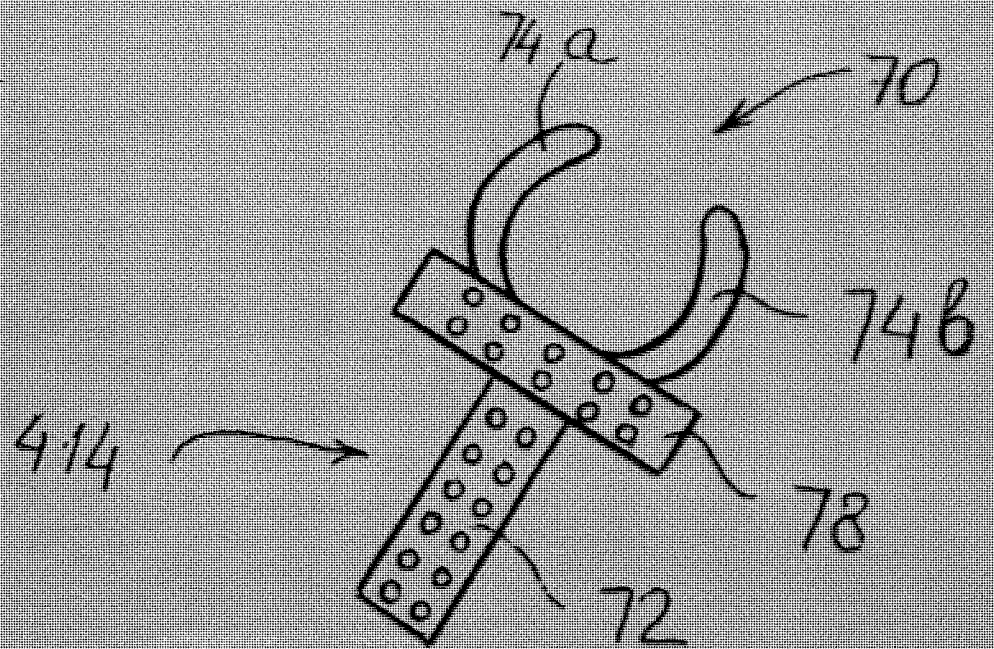
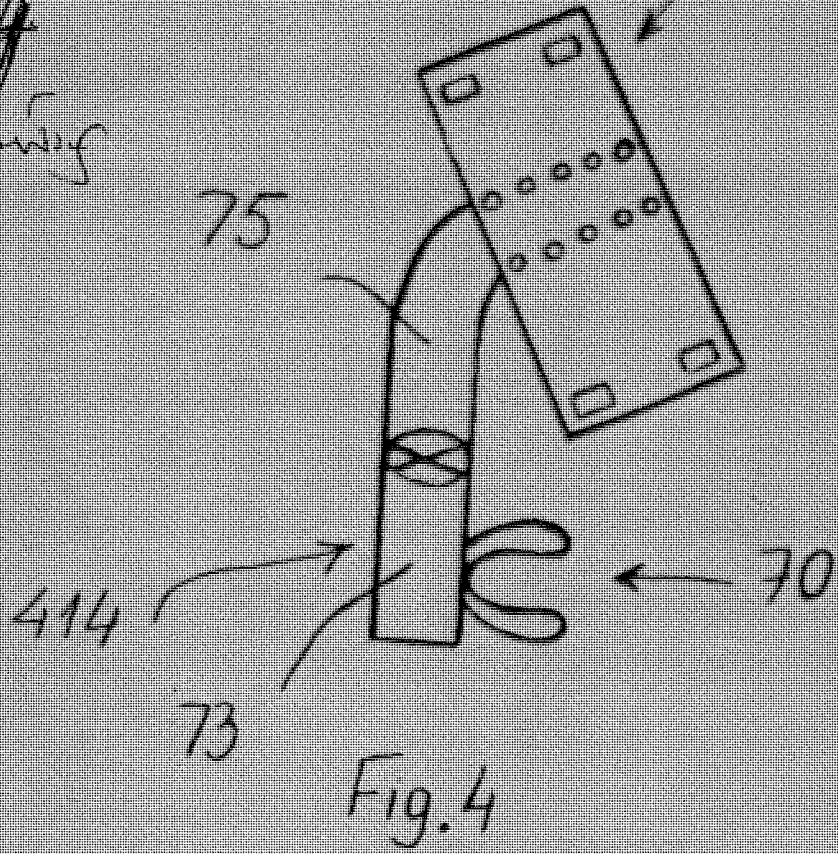
Figure A, as shown, is the book holder, with four nipples. The book cover is slipped under the four grabbing instrument, and it is tightened, there is two nipples on top, and two nipples on the bottom. The holes are use to adjust to different types and sizes of books. The book holder can be switched to spring nipples type book holder. In the type one end rises and it close right to hold the book cover at the other end.

Figure B, as shown, figure B, is the holder of the writing, and reading book holder black/white board. The full stem is lodged inside figure A.

Figure C, note the axis for figure B's adjustments, to the users like, also to figure C has the screws which hold the stem tightened the length is adjusted to suit the user. At figure C, there is the grabbing instrument with the extending tooth, in figure D, there is holes around the mouth of the self grabbing instrument, these holes are use to screw the

SURFACE FRONT ADAPTED FOR SUPPORTING A BOOK, HEREIN A CAMERSA. THE COURT WANT ME TO ADDRESS THAT." Drawings and pictures can anticipate claims if they clearly show the structure which they are claimed. In re Mraz, 28 F.2d 1069, 173 USPQ25 (ccpa 1972" , see Jockmus V. Leviton, 28 F.2d 812(2<sup>nd</sup> Cir.1928. the model have been established, the method with elements, screw and camera are thesame

PAGE 4  
CLAIMED DRAWING



~~FIG. 5~~



PAGE ~~9~~ (1 OF 2 PAGES)

U.S. Patent

Dec. 26, 2006

Sheet 3 of 4

US 7,152,840 B2

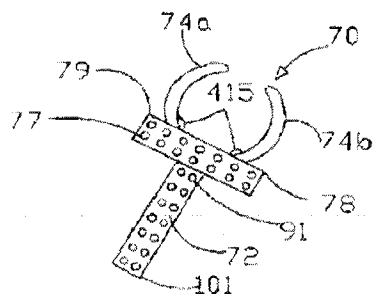


Fig. 5

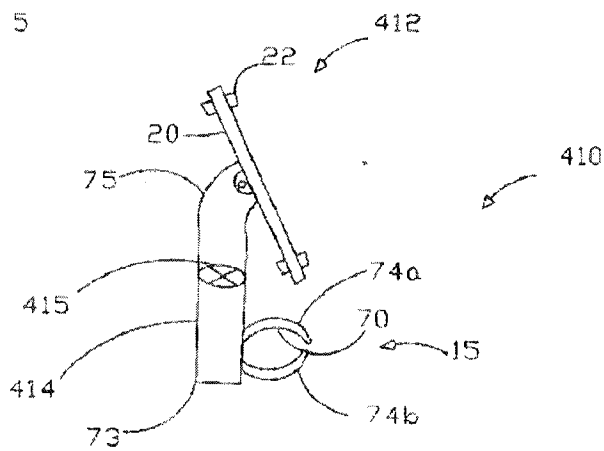


Fig. 4

UNITED STATES DISTRICT COURT

500 Pear street NY, NY.

CHIKEZIE OTTAH

V

VERIZONE INC

**Background**

The defendant have been informed of this infringement since 2011, and the latest remind sent to the defendant was 02/26/2018 asking the defendant to seek licensing agreement with us, please see exhibit 1, page 1. To result into taking the defendant to court is rather a difficult one, but I have exhausted all avenues to reach the defendant.

The defendant facility is located in Coney Island NY, I accidentally came across the defendant, Verizone. inc vehicle, vehicle plate No. 47347 MG, I saw a book holder was mounted inside the vehicle without licensing. My product is a book or technology holder, the technology or book holder in a mobile vehicle environments. Now the full facts, the claims, and USPTO granted legal claims. See exhibit 1, page 1

**CLAIMED ELEMENTS OF US 840;**

1. A book support platform, the book support platform comprising a front surface, a rear surface and a plurality of clamps, the front surface adapted for supporting a book, the plurality of clamps disposed on the front surface to engage and retain the book to the book support platform, the rear surface separated from the front surface:

2. A clasp comprising a clip head, a clip body, a pair of resilient arms, the clip arms adjustably mounted on the clip head and attach to the clip body, and (see exhibit 1, page 2, we also claimed priority)

3. An arm comprising a first end and a second end and a telescoping arrangement, the clasp on the first end, the second end pivotally attached to the book support platform, the telescoping arrangement interconnecting the first end to the second end, the clasp spaced from the book support platform, wherein the book holder is removably attached and adjusted to a reading position by the telescoping arrangement axially adjusting the space relation between the book support platform and the clasp and the pivotal connection on the book support platform pivotally adjusting the front surface with respect to the arm.

4. Audio equipment, include planar panel, TV, monitor, CAMERA, computer, lap top, cell phone, hard ware and soft ware, audio video.

5. book, E-book, blue tooth, and hard ware and soft ware

6. A book or audio video equipment or drawing surfaces removable attach to a holder on a mobile vehicle or mobile vehicle structures, there on for the occupants of the vehicle. ( See exhibit 1, page 2)

The last 3 elements was incorporated (37 C F R 1.57) from an original claims disclosed on 2/19/2003 page 2, also disclosed again on 4/24/2004, pages 11-13, the publication was in US Patent application number 10/366/779. See the disclosure in prosecution history, Publication number 10/366/779, Fig.8, page 36/38, claimed embodiment paragraph 3, column 25, line 5, dated 07/25/05, it is a further description of another design of the invention book or technology mention in support of the original claims. Please Your Hon. See Fig.8, paragraph 1, page 5, line 7 to 8, US Patent 840, more designs and tools mount of book and technology continued in support of the original claims in a mobile vehicle. As stated in claims 4 and 5, claims 4 and 5 is incorporated into the claims, 37 CFR 1.57, 35 USC 154. See US 840 page 6, paragraph 1, line 1 to 11. According to (Supreme Court of US guide) US Appeals court guide lines they are substantially the same.

#### US PATENT 840 MOUNT

Please see, the publication in US Patent 10/366/779, page 6, dated 02/19/03, the drawing is showing a mounted technologies (include Fig.1. 16 general

planar panel) and the drawing also illustrate drilling hard ware screws, bolts, connectors or brackets, ( this illustration is incorporated into the claim, see US Patent 840, page 6, paragraph 1, line 4-11, 37 CFR 1.57 . See Fig.4, paragraph 1, line 14-15, US 840. Also see, page 6, paragraph 3, claimed element 2, and it states ." A clasp comprising a clip head, a clip body, a pair of resilient arms, the clip arms adjustably mounted on the clip head and attach to the clip body", this goes to establish the Supreme court guide line in substantially the same, the drawing is illustrating a mounted technology, the specification establish in many ways object or parts can be mounted with hard wares , the claim section have claimed many hard ware, and claimed technology and its equipments are substantially the same ( or equivalent ). Your Hon. it is legally and factually correct US Patent 840 can mount, a picture is what a thousand words, see exhibit 1.

Page 5. (REFERENCE OBSERVING OF THE DRAWING PAGE 2, PARAGRAPH 9, LINE 1 - 3 ) IT IS A PANEL THE BOOK HOLES COULD BE REMOVABLY MOUNTED BY MEANS OF CLIP BODY OR CONNECTORS  
REMOVABLE ATTACH ( Clip Body Alternative Arm)

See the preferable claimed embodiments for the design, publication number 10/366/779, dated Jul.25, 2005, page 9 of 38, Fig. 4, column 0020 and page 12 of 38, Fig. 4, and Fig. 5, column 0033 and column 0034 (a brief and detailed description of the invention) . also see the publication number

10/366/779 , dated April 5 2004, claim sheet 3 of 12 showing the drawings, this is incorporated into the claim, please see brief description of the invention, Fig.4, page 2, Paragraph 14, US Patent 840, it states” it is a side perspective view of the book holder of FIG. 1, illustrating an alternative clip arrangement” like clip body, an alternative arm . See page 6, paragraph 1, line 4 to 11, “modification”. US Patent 840, (37 CFR 1.57). See exhibit 1,

They are same is true in specification of US Patent 840, see Fig. 4, and Fig. 5. Please see the illustrated drawings, Fig. 4, and Fig.5 on sheet 3 of 4, US Patent 840. Please Your Hon. see the accused product in exhibit 1.

**Computer modified platform**

**Slid able connector ( this part allow pivotal adjustment between platform and upper end of 1<sup>st</sup> arm)**

**Upper end , 1<sup>st</sup> arm**

**The 1<sup>st</sup> lower arm end, rotationally or slidably attached into upper end 2<sup>nd</sup> arm.**

**TELESCOPIC**

**The sliding or rotational movement amount to the axially movement of the two arms in relation to the platform and the attached base (clasp is**

removed). See exhibit 1, page 8, see claimed clip body thread screw.

The lower part of the arm, the modified design remove the clasps and the base (clip body) is attached, with a thread screw drill the computer or book holder lower end of the arm into the base of the mobile vehicle. “preferable said clip means includes a clip body having a set of mounting positions for mounting a clip arm, and a screw threaded into the said body for selectively fixing the position of said clip arm along said clip body” this is a fact form the claimed embodiment, see reference embodiment above , this fact is clearly stated in the specification of US Patent 840 and the same clip body (include screw thread) is claimed again in US Patent 840 Your Hom. This is a true design of US Patent 840, and a true copy of the defendant product.

RELY ON WIERMA US PATENT No. 4, 201, 013,

Wierma discussed a book holder for use in a bed, the wierma book holder is clamped to a bed head board, but US patent 840 is very different in scope, from wiema US 013 patent. I respectfully plead with the court to remove DE NOVO standard review because base on the above claims alone the two patent do not have the same scope, in the past the court system have amended or remove De DOVO standard where the patent are to be

the same. the court rendered it opinion base on the DE NOVO Standard, then on the Appeal court which I have petitioned for review now, Appeal from USCA Fed. Circuit, case number 17-1842, the case was decided De Novo standard. In their opinion Hon. Judges, Newman, Hughes, and Stoll noted that the application of DE NOVO standard review is not rigid, in a minute, the Judges seen to believe in Hon. Justice Breyer, Justice Thomas and Justice Alito, who wrote that de novo standard can be reversed and or amended. See Teva Pharmaceutical USA inc. V Sandoz Inc. please Your Hon. I plead that for fairness and justice that you amend or remove de novo standard.

#### PLAUSIBLE CLAIM FOR RELIEF

See above, claims of US patent 840, page 1, paragraph 1 to 6, pages 2 to 3 and see the facts built up from claimed embodiments to the product, see page 6, paragraph 1, line 4 to finish. In a simple and coherent facts and legally correct claims, US Patent 7, 152, 840, illustrate the platform or a configured and adaptable platform, the platform adaptable to mount book or technology, in this case a lap top computer, from the back surface, the upper end, of the upper arm is attach to the rear surface of the platform, the front surface of the platform is attach to the computer with a clip, Your Hon we demand \$50 million damages.



clamp, or key, or others. See exhibit 1, page 9 and page 3. See the claimed drawing (alternative designed base and platform below or the equivalent)

2. hardwares, and software,

Hard ware like clasps, base, connectors, brackets, screw thread, screw grip, bolt and many more, all this hard ware are called clip body.

Software, simply state all soft ware are them self a tool, USB, mouse, USB Ports, memory CPU, power, conducts, semi conductors, wires or cables, serial ports etc.

3. An upper end arm , the product and US patent have an upper end arm or the equivalent. ( the upper arm have connectors or others equivalent tools that allow pivotal positioning of the platform computer to the user)

4. Lower end arm, the product in question and US Patent 840 have a lower end arm, the lower arm end is attached to the upper arm end by a connectors or slide, or rotate into the lower into the lower end of the upper arm or other equivalent into the upper end of the lower<sup>arm</sup>, the connector allows telescopic arrangements, continue on the lower arm;

5. Base, the base is modified from the clip body, the lower end of the lower arm is mounted on the base at a predetermine location using the screw

thread drill lab top holder hard onto the floor of the mobile vehicle.

As a pro se, I strongly, correctly presented the infringement case against the accused product from ~~National Grid~~ <sup>Varizone Inc.</sup> the court have jurisdiction off.

I plead that the court give us the relief of infringement base on the out line claims, which is plausible.

AURGMENT; there is an infringement of US Patent 840 by the defendant product, a claim is infringe if each limitation in the claim is found in an accused product, or method either literally or under the doctrine of equivalents, Vehicular techs Corp V. Titan Wheel Int'l Inc. , 141 F 3d 1084, 1089 Fed. Cir. 1989. The designed parts are legally claim, ( 37 CFR 1.57), from document published during prosecution , the same ~~description~~ <sup>DESCRIPTION</sup> is in the specification of US Patent 840, the same elements and description is found in the claim, and the element is found on the accused product. It is an infringement. The design have been consentience and substantially the same

Sign 

Date 9/13/19



US007152840B2

(12) **United States Patent**  
**Ottah et al.**

(10) Patent No.: **US 7,152,840 B2**  
(45) Date of Patent: **Dec. 26, 2006**

(54) **BOOK HOLDER**

(76) Inventors: **Chikezie Ottah**, 1035 Clarkson Ave., Apt 5a, Brooklyn, NY (US) 11212; **Chineye Ottah**, 4<sup>th</sup> Ave #6, TransEklu, GRA, Enugu State (NG); **Keneth Ottah**, 4<sup>th</sup> Ave #6, TransEklu, GRA, Enugu State (NG)

(\*) Notice: Subject to any disclaimer, the term of this patent is extended or adjusted under 35 U.S.C. 154(b) by 0 days.

(21) Appl. No.: 10/366,779

(22) Filed: Apr 24, 2003

(65) **Prior Publication Data**  
US 2004/0214154 A1 Oct. 28, 2004

(51) Int. Cl. **A47B 5/04** (2006.01)

(52) U.S. Cl. 248/444.1

(58) **Field of Classification Search** 434/179, 434/308, 309, 317, 322, 365, 428, 430, 432; 248/441.1, 444, 445, 448, 449, 450, 451, 248/454, 458

See application file for complete search history.

(56) **References Cited**

**U.S. PATENT DOCUMENTS**

1,377,230 A \* 5/1921 Taylor ..... 248/454  
2,439,950 A \* 4/1948 Rogers ..... 248/447  
2,627,694 A \* 2/1953 Stacker ..... 248/447  
3,351,312 A \* 11/1967 Ballas ..... 248/448  
3,408,032 A \* 10/1968 Francis ..... 248/450  
3,497,882 A \* 3/1970 Weeks ..... 482/148

4,021,013 A \* 5/1977 Wiersma ..... 248/453  
4,431,156 A \* 2/1984 Mena ..... 248/445  
4,553,728 A \* 11/1985 Corsello ..... 248/452  
4,591,124 A \* 5/1986 Hellenbrand et al. .... 248/447.2  
4,790,506 A \* 12/1988 Malinowski et al. .... 248/441.1  
4,867,407 A \* 9/1989 Becker ..... 248/444.1  
5,054,736 A \* 10/1991 Champoux ..... 248/444  
5,059,149 A \* 10/1991 Stone ..... 446/73  
5,460,102 A \* 10/1995 Pasmaick ..... 108/43  
5,595,489 A \* 1/1997 Kwon ..... 434/319  
5,615,856 A \* 4/1997 Simington ..... 248/452  
5,709,365 A \* 1/1998 Howard ..... 248/454  
5,755,423 A \* 5/1998 Michela ..... 248/459  
5,855,329 A \* 1/1999 Pagano ..... 248/451  
5,884,888 A \* 3/1999 Grimes et al. .... 248/441.1  
6,045,179 A \* 4/2000 Harrison ..... 297/188.2  
6,064,855 A \* 5/2000 Ho ..... 434/317  
6,202,973 B1 \* 3/2001 Navarin et al. .... 248/444

\* cited by examiner

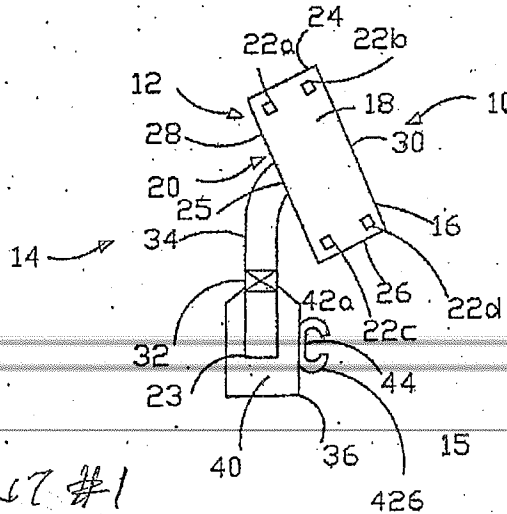
Primary Examiner—Kurt Fernstrom

(74) Attorney, Agent, or Firm—James D. Palmatier, Applied Patent Services

(57) **ABSTRACT**

A book holder removably attachable to a vehicle or structure such as a stroller, walker, wheelchair or car seat for mobile applications. The book holder for holding a book or drawing surface in a usable position thereon for by the occupant of the vehicle. The book holder comprising an adjustable clasp on the vehicle, an arm extending to a book platform, the arm providing rotational pivotal and axial adjustment to hold the platform in spaced relation to the clasp. A plurality of spring biased clamps on the platform to secure the book to the book holder.

1 Claim, 4 Drawing Sheets



ATTACH Document #1

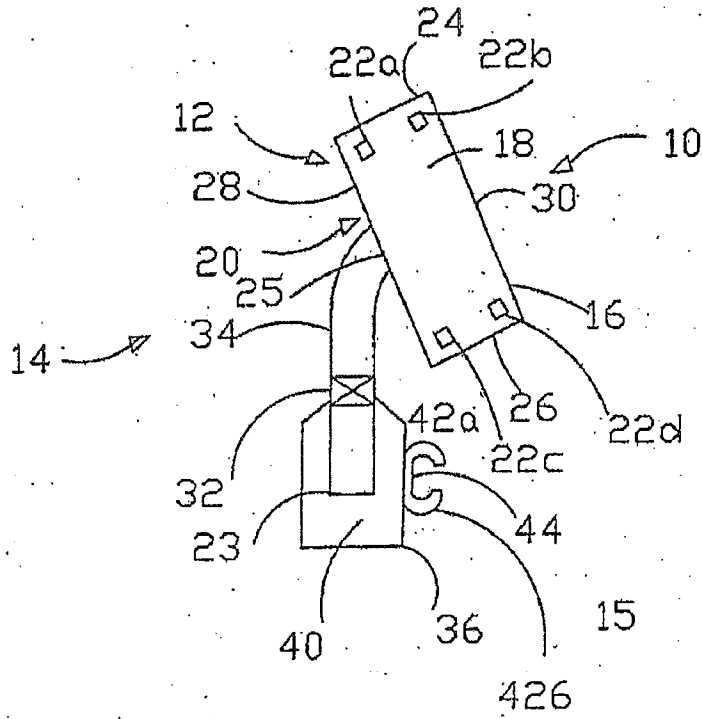


Fig. 1

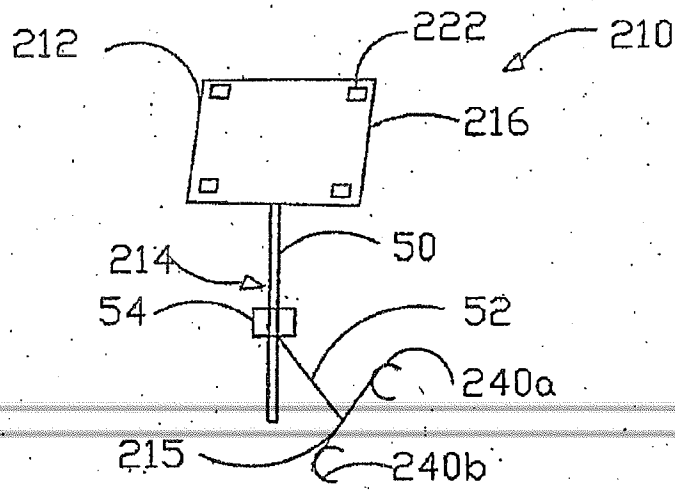


Fig. 2

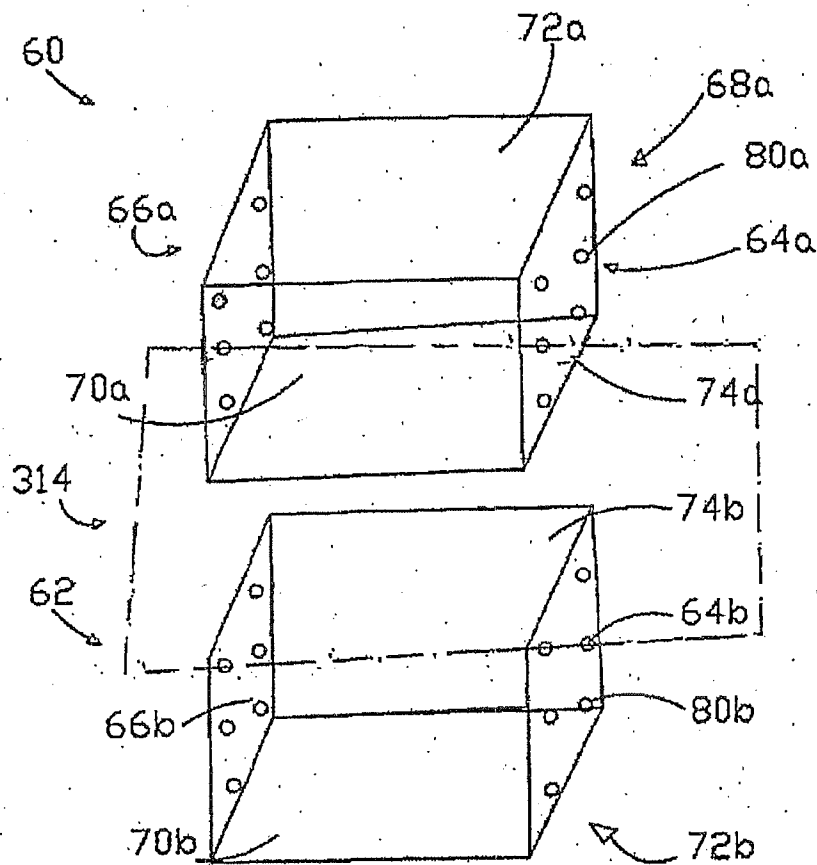


Fig. 3

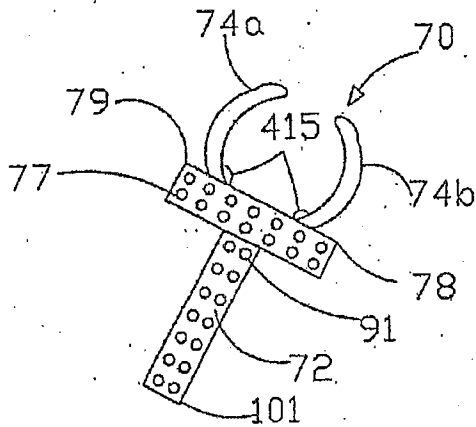


Fig. 5

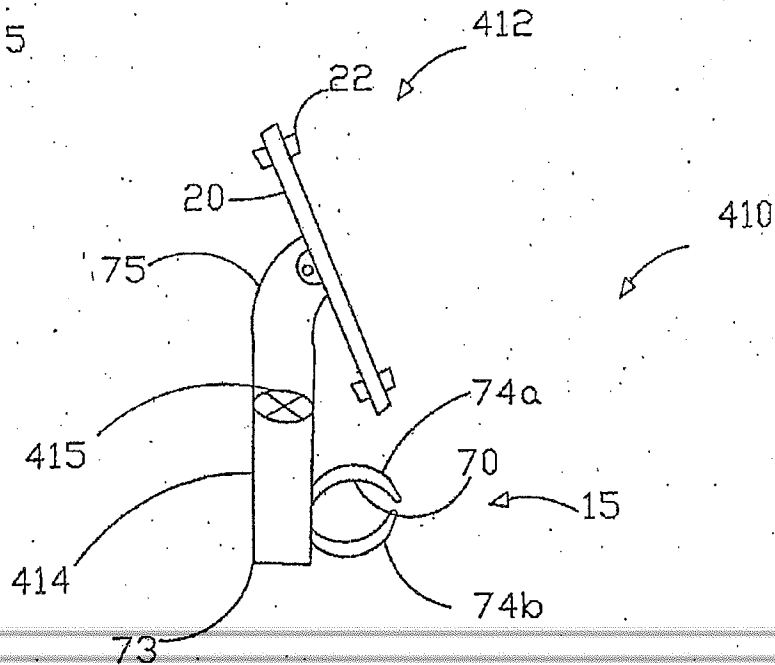


Fig. 4

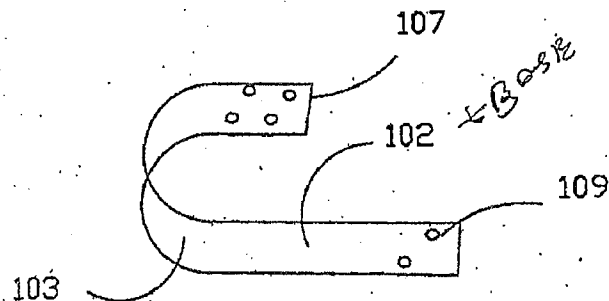


Fig. 7

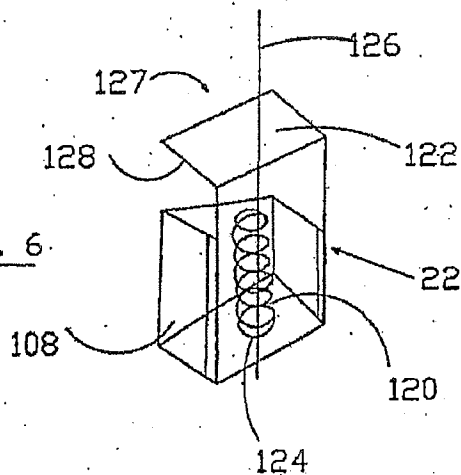


Fig. 6

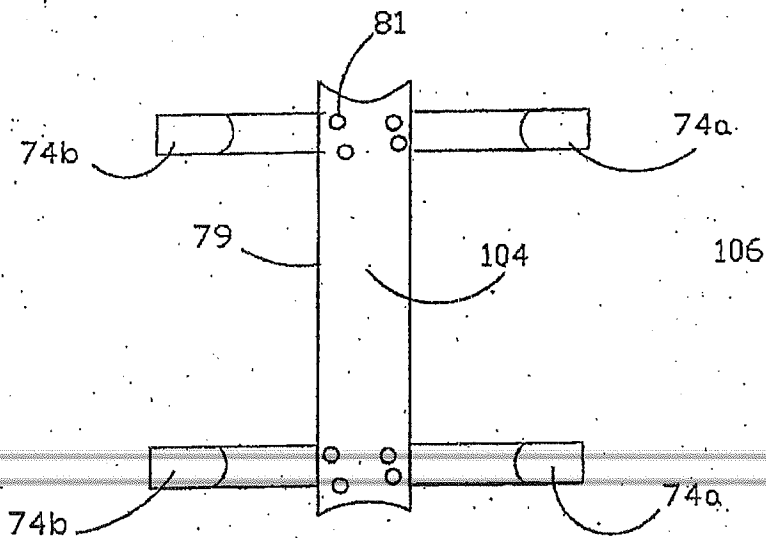


Fig. 8

Case 1:10-cv-07296-CM

US 7,152,840.B2

1

## BOOK HOLDER

## BACKGROUND OF THE INVENTION

## 1. Field of the Invention

The present invention relates generally to a removable book holder assembly for use by a person in a protective or mobile structure such as a car seat, wheelchair, walker, or stroller. The Book holder having an adjustable, releasable clipping means and a support arm configured for axial, rotational and pivotal adjustment of the book supporting surface of the book holder to hold a book in a readable position in front of the user.

## 2. Description of the Related Art

The prior art of book holders comprises a variety of devices for supporting a book on a platform in a position for viewing or reading. A conventional book holder includes a supporting structure for supporting the book support on a table. The platform is supported by a table or other such flat structure as seen in the Michela U.S. Pat. No. 5,755,423 for a FOLDING PORTABLE SUPPORT STAND, wherein a device is disclosed comprising hinged covers folding into a support structure for holding a book in the open position on a flat horizontal surface.

The prior art also discloses structures built around the person to hold a book in useful relation such as the ADJUSTABLE BOOK HOLDER in U.S. Pat. No. 6,202,973 to Navarin et al. In the '973 patent a structure is disclosed for holding a book in a readable position on a structure attachable to the reader's torso. The Weeks U.S. Pat. No. 3,497,882 for SUPPORT MECHANISM FOR SUPPORTING VARIOUS DEVICES TO BE EMPLOYED IN COOPERATION WITH A HOSPITAL BED likewise discloses a support structure disposed over the bed and a book holder slidably mounted on the support structure for holding the book in reading position while the reader is lying in bed.

The Wiersma U.S. Pat. No. 4,201,013 for a BOOK HOLDING DEVICE discloses a detachable device for use on a bed to suspend a book holder from over the reader's head. The Wiersma device is clamped to a headboard of a bed using C-clamps.

The book holders disclosed in the prior art suffer from a number of disadvantages. In particular, such book holders include do not provide an adequate solution for young children or mobility limited adults. These people spend a significant amount of their time outdoors (e.g., parks, beaches, playground, theme parks, etc) and conventional book holders are primarily designed for indoor use. The book holders in the prior art lack the ease of application to a mobile vehicle such as a wheelchair or stroller to allow the reader to have mobility to explore their environment in a stationary sitting or reclining position while reading a book supported on the mobile vehicle. As a result, the learning benefits are significantly reduced.

The prior art does not accommodate easy and quick attaching the book support onto a structure for mobile use. Thus there is a need for an improved Book Holder that is quickly and easily clipped to a mobile vehicle such as a wheelchair or stroller for holding the book in a reading position in spaced relation to the clip.

## SUMMARY OF THE INVENTION

It is an object of the present invention to provide a book holder that can be easily and removably attached to and removed from a bar or portion of the mobile vehicle without tools.

2

It is an object of the present invention to provide an adjustable clasp for attaching the book holder to the mobile vehicle to easily and quickly attach or detach the book holder.

It is further object of the present invention to provide an arm between the clasp and the book support platform to hold the book in spaced relation from the clip.

It is another object of the present invention to provide a pivotal attachment between the clasp and the support platform to hold the book on the support platform at a selected angle with respect to the reader for ease of viewing.

It is another object of the present invention to provide a telescoping arm between the clasp and the book support platform to axially adjust the position of the support platform with respect to the clasp to position the platform in a position for ease of viewing by the reader.

It is another object of the present invention to provide a book holder having an elongate arm with a rotational adjustment to rotate the position of the support platform with respect to the clasp to a position for ease of viewing by the reader.

It is another object of the present invention to provide a clasp comprising a clip having an adjustable, resilient arm for removably attaching to a mounting structure on the mobile vehicle.

It is another object of the present invention to provide a locking means on the book holder to retain the rotational, pivotal and axial position of the support platform with respect to the clasp.

It is another object of the present invention to provide a support platform adaptable for use as a writing board.

It is another object of the present invention to provide a connector means for removably securing a book to the book holder in a reading position.

## BRIEF DESCRIPTION OF THE DRAWINGS

FIG. 1 is a perspective view of a book holder showing a first embodiment of the present invention;

FIG. 2 is a schematic view of a book holder according to a second embodiment of the present invention;

FIG. 3 is an exploded view of a book holder illustrating the square telescoping arm;

FIG. 4 is a side perspective view of the book holder of FIG. 1 illustrating an alternative clip arrangement;

FIG. 5 is a perspective view an adjustable clip;

FIG. 6 is a perspective view of a book clamp.

FIG. 7 is a perspective view of a clip arm.

FIG. 8 is a elevation view of a plurality of clip arms from

FIG. 7 on the clasp for releasable attachment of the book holder to a mobile vehicle.

## DETAILED DESCRIPTION OF THE INVENTION

Referring to FIG. 1 there is illustrated a book holder assembly 10 according to the first embodiment of present invention. The book holder 10 comprises a book platform 12 and an adjustable arm 14 and a clasp 15. The book platform 12 includes a generally planar panel 16 having a front 18 and a rear surface 20. The front surface 18 is configured to hold a book or suitable for use as a writing/drawing board (eg a white-board, a blackboard, an electronic board). The rear surface 20 of the book platform 12 is attached to the adjustable support arm 14 at angle suitable for reading. The book platform 12 can be integrally formed with the support arm 14 such that the support arm 14 forms a portion of the



book support protrudes from the rear surface 20 of the panel 16. Preferably, though the supporting arm 14 and the book platform 12 are provided as separate items to be assembled by the user.

Mounted to the front surface 18 of panel 16 are two pairs of spring biased book clamps 22 for securing a book (not shown) to the book holder 10. The first pair of spring biased book clamps 22a, 22b is located near the top edge 24. The second pair of spring biased book clamps 22c, 22d is located near the bottom edge 26.

Continuing to refer to FIG. 1 the panel 16 may be made of plastic and the book clamps 22 made of steel covered by plastic. However, other materials such as wood, metal, etc., and combination thereof may be used in the manufacturing of the book holder assembly 10.

The arm 14 comprises a first end 23 and second end 25. The clasp 15 is on the first end 23. The second end 25 is spaced from the first end 23. The second end 25 is adjustably attached to the book platform 12. The arm 14 includes a telescoping arrangement 32 in which an upper support portion 34 of the support arm 14 slides within a lower support portion 36 and is held at a selected position by a locking member 55 (FIG. 2). The lower support portion 36 of the support arm 14 is attached to the clasp 15. The clasp 15 comprises one or more clips 40 for removably attaching the book holder 10 to the mobile vehicle (not shown).

The clips 40 are adjustable in shape and size to fit the shape and size of the supporting frame member on the mobile vehicle (not shown). The clips 40 comprise a pair of resilient C-shaped clip arms 42 adjustably attached to the clip 40. The first clip arm 42a is spaced from the second clip arm 42b in order to tightly retain the supporting frame member of the mobile vehicle (not shown) therebetween. To secure the book holder 10, the user forces the clip arms 42a and 42b apart to allow the frame member to slip between the clip arms 42a, 42b. The clip arms 42a, 42b then snap resiliently together to hold the book holder 10 to the frame member (not shown) of the mobile vehicle (not shown).

Referring to FIG. 2, the book holder 210 comprises a book support platform 212, a generally planar panel 216, a support arm 214 and a dual clasp 215. The support arm 214 comprises a support member 50 extending from the middle section of the panel 216, an elongate arm 52 and an adjustable angle mount 54. The angle mount 54 connects the support member 50 to the elongate arm 52 to hold the panel 216 in spaced relation to the clasp 215. The angle mount 54 comprises locking member 55 to hold the panel 216 and clasp 215 in the user selected position. The angle mount 54 allows the panel 216 to be adjusted both axially and rotationally with respect to the clasp 215. The book support 212 may be pivotally mounted (FIG. 4) to the support member 50 to allow the panel 216 to be pivoted with respect to the support member 50.

Continuing to refer to FIG. 2, the dual clasp 215 comprises a clip bar 238 and a pair of clips 240 attached to the clip bar 238. The clips 240 are spaced from each other to provide a secure attachment to the mobile vehicle (not shown). As a result, the book holder 210 of FIG. 2 is adjustable for height and rotation and pivotal angle with respect to the clasp 215.

Referring now to FIG. 3 an alternative support arm 314 comprises concentrically mounted, square tube members 60, 62. The open box-shaped male member 60 is adapted to attach to a book support platform (12, FIG. 1) on one end and slidably insert into member 62 with the other end. The male member 60 is adapted for separable, concentric inter-connection with the female member 62 to form a telescoping

arrangement for axial adjustment of the spaced relational distance between the book support 312 and the female member 62. The male member 60 comprises a front portion 64a, a back portion 66a, a pair of side portions 68a and 70a, a lower portion 72a, and a top 74a. The side portions 68a and 70a of the male member 60 have holes 80a formed in a pattern therein. The top 74a is adapted to attach to the book support (12, FIG. 1). The female member 62 comprises a front portion 66b, a back portion 66b, a pair of side portions 68b and 70b, a lower portion 72b, and an open top 74b. The side portions 64b and 66b of the male member 62 have holes 80b formed therein for concentric alignment with the holes 80a in the male member 60. The lower portion 72b is adapted to attach to the clasp 15. The male member 60 fits slidably into the female member 62 such that at least one hole 80a in the side wall 64a of male member 60 is concentrically aligned with a hole 80b in the adjacent side wall 64b of the female member 62 at a predetermined position to axially space the clasp 15 from the book support (12, FIG. 1). The user then fixes the male member 60 to the female member 62 by connector means (not shown).

FIG. 4 illustrates a book holder 410 comprising a book support 412 and a support arm 414. The support arm 414 comprises a clasp 15, a lower section 73 and an upper section 75. The clasp 15 comprises an adjustable clip 70 mounted on the lower section 73. The adjustable clip 70 is rotatable with respect to the arm 414 to removably attach the book holder 410 to a vertical or horizontal object (eg, a pole) (not shown) on the mobile vehicle. The arm connector 415 rotatably and slidably attaches the lower section 73 of the supporting arm 414 to the upper section 75. The upper section 75 has pivotal connector 420 (FIG. 4) on the book support 412. The clip 70 has adjustable clip arms 74a, 74b to allow different sizes of objects to be attached to the book holder 410. The position of the clip arms 74a, 74b along the clip body 78 can be selectively fixed by a screw 415.

Referring to FIG. 5, the clasp 15 includes a clip body 101 and a pair of clips arms 74a, 74b extending from the clip body 101. The clip 70 comprises a clip head 79 having a plurality of holes 77 fastener. The clip arms 74a, 74b are mounted on the clip head 79 in spaced relation to securely and removably attach the book holder 410 (FIG. 4) to the mobile vehicle (not shown). The body 101 of the clip 70 may have a plurality of holes 91 formed therein in spaced relation to each other for adjustable connection of the clip 70 to the arm 414 (FIG. 4). Each clip arm is attached to the clip body in one of several selectable positions along said clip body. Preferably, the clip 70 includes a clip body 101 on the arm 414, a clip head 79 on the clip body 101 and a plurality of clip arms 74a, 74b removably attached to the clip head 79. A screw 415 or other fastener is removably attached to the clip head 79 for selectively fixing the position of said clip arm along said clip body. The clip means may alternatively be a spring clip or include at least one resilient clip arm.

Referring to FIG. 6 the head 79 is shown with two sets of clip arms 74a, 74b. Each clip arm 74a and 74b is attached by fastener 81 which may be removable such as a screw. The arms 74 are thereby adjustably spaced from each other to adapt to resiliently clasp onto a mounting portion of the mobile vehicle (not shown).

Referring to FIG. 7 a clip arm 74 is shown comprising a flex section 103, a base 102 and a tip 107. The base 102 has one or more holes 109 formed therein for aligning with a hole on the clip head 79 to accommodate attaching the clip arm 74a to the clip head 79 by screw, rivet or other mechanical fastener 81. The clip arms 74a, 74b are attached to the clip head 79 in a C relation (FIG. 6) to form adjustable

JUL-25-2005 11:00P FROM:

TO: 17038729306

P: 12/38

extended through the concentrically aligned holes 80a, 80b to hold the male member 60 in axial position with respect to the female member 62.

Please replace paragraphs [0026-0027] describing FIG. 4 in the Detailed Description of the Invention with the following rewritten paragraphs:

[0033] FIGS. 4 illustrates a book holder 410 comprising a book support 412 and a support arm 414. The support arm 414 comprises a clasp 15, a lower section 73 and an upper section 75. The clasp 15 comprises an adjustable clip 70 mounted on the lower section 73. The adjustable clip 70 is rotatable with respect to the arm 414 to removably attach the book holder 410 to a vertical or horizontal object (eg, a pole) (not shown) on the mobile vehicle. The arm connector 415 rotateably and slidably attaches the lower section 73 of the supporting arm 414 to the upper section 75. The upper section 75 has pivotal connector 420 (FIG. 4) on the book support 412. The clip 70 has adjustable clip arms 74a, 74b to allow different sizes of objects to be attached to the book holder 410. The position of the clip arms 74a, 74b along the clip body 78 can be selectively fixed by a screw 415.

CLAIM ID  
 Rem BOD INVENT

Please add the following paragraphs to the Detailed Description of the Invention:

[0034] Continuing to refer to FIG. 5, the clip 70 may have a plurality of holes 77 on the head 79 for attachment to the removable and adjustable clip arm 74a, 74b. The clip arms 74a, 74b are mounted on the clip head 79 in spaced relation to accommodate a secure, removable attachment to the mobile vehicle (not shown). In addition, the body 101 of the clip 70 may have a plurality of holes formed therein in spaced relation to each other for adjustable connection of the clip 70 to the arm 414. The clip means 15 includes a clip body and a pair of clips arms extending from said clip body. Each clip arm is attached to the clip body in one of several selectable positions along said clip body. Preferably said clip means includes a clip body having a set of mounting positions for mounting a clip arm, and a screw threaded into said clip body for selectively fixing the position of said clip arm along said clip body. The clip means may alternatively be a spring clip or include at least one resilient clip arm.

Please add the following new paragraph after amended paragraph [0034]:

[0034] Referring to FIG. 5, the clasp 15 includes a clip body 101 and a pair of clips arms 74a, 74b extending from the clip body 101. The clip 70 comprises a clip head 79 having a plurality of holes 77 formed therein for attachment to the removable and adjustable clip arm 74a, 74b by screws 415 or other fastener. The clip arms 74a, 74b are mounted on the

Page 7 of 14; Appl. No. 10/366,779; Amdt. dated Jan. 15, 2004;  
 Reply to Office action of January 24, 2005

JAN-15-2006 08:59P FROM:PALMATIER 630-285-9352

TO:15712738300

P:12/17

[0032] Referring now to FIG. 3 an alternative support arm 314 comprises concentrically mounted, square tube members 60, 62. The open box-shaped male member 60 is adapted to attach to a book support platform (12, FIG.1) on one end and slidably insert into member 62 with the other end. The male member 60 is adapted for separable, concentric interconnection with the female member 62 to form a telescoping arrangement for axial adjustment of the spaced relational distance between the book support 312 and the female member 62. The male member 60 comprises a front portion 64a, a back portion 66a, a pair of side portions 68a and 70a, a lower portion 72a, and a top 74a. The side portions 68a and 70a of the male member 60 have holes 80a formed in a pattern therein. The top 74a is adapted to attach to the book support (12, FIG. 1). The female member 62 comprises a front portion 66b, a back portion 66b, a pair of side portions 68b and 70b, a lower portion 72b, and an open top 74b. The side portions 64b and 66b of the male member 62 have holes 80b formed therein for concentric alignment with the holes 80a in the male member 60. The lower portion 72b is adapted to attach to the clasp 15. The male member 60 fits slidably into the female member 62 such that at least one hole 80a in the side wall 64a of male member 60 is concentrically aligned with a hole 80b in the adjacent side wall 64b of the female member 62 at a predetermined position to axially space the clasp 15 from the book support (12, FIG. 1). The user then fixes the male member 60 to the female member 62 by connector means (not shown).

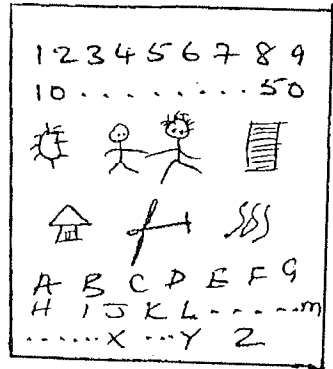
[0033] FIGS. 4 illustrates a book holder 410 comprising a book support 412 and a support arm 414. The support arm 414 comprises a clasp 15, a lower section 73 and an upper section 75. The clasp 15 comprises an adjustable clip 70 mounted on the lower section 73. The adjustable clip 70 is rotatable with respect to the arm 414 to removably attach the book holder 410 to a vertical or horizontal object (eg, a pole) (not shown) on the mobile vehicle. The arm connector 415 rotateably and slidably attaches the lower section 73 of the supporting arm 414 to the upper section 75. the upper section 75 has pivotal connector 420 (FIG. 4) on the book support 412. The clip 70 has adjustable clip arms 74a, 74b to allow different sizes of objects to be attached to the book holder 410. The position of the clip arms 74a, 74b along the clip body 78 can be selectively fixed by a screw 415.

[0034] Referring to FIG. 5, the clasp 15 includes a clip body 101 and a pair of clips arms 74a, 74b extending from the clip body 101. The clip 70 comprises a clip head 79 having a plurality of holes 77

Figure C, is the self grabbing instruments with tooth on it, they are design to mount on difficult surfaces, like tablet arms

Figure D, is the board, the board is simply attach to the book holder, when it is mounted, the board is slipped inside figure B, and the spring containing figure B is left loose to slam onto it and hold it tight.

FIGURE D



WRITING  
 BOARD  
 READING  
 BOARD  
 WHITE BOARD  
 BLACK BOARD  
 ELECTRONIC BOARD  
 LAP TOP COMPUTER  
 SEE FIG. I.