

**UNITED STATES DISTRICT COURT
FOR THE EASTERN DISTRICT OF WISCONSIN**

WIESBLATT LICENSING LLC,

Plaintiff,

v.

**SMART EMBEDDED
COMPUTING, INC.,**

Defendant.

Case No. 2:22-cv-1130

Jury Trial Demanded

ORIGINAL COMPLAINT FOR PATENT INFRINGEMENT

Wiesblatt Licensing LLC (“Plaintiff”) hereby files this Original Complaint for Patent Infringement against SMART Embedded Computing, Inc. (“SMART” or “Defendant”), and alleges, upon information and belief, as follows:

THE PARTIES

1. Wiesblatt Licensing LLC is a limited liability company organized and existing under the laws of the State of Wisconsin with its principal place of business at 6001 West Parmer Lane, Suite 370-1165, Austin, Texas 78727.
2. Defendant SMART Embedded Computing, Inc. is a corporation organized and existing under the laws of the State of Wisconsin with a place of business at 39870 Eureka Drive, Newark, California 94560. Defendant may be served through its registered agent, C T CORPORATION SYSTEM, located at 301 S. Bedford Street, Suite 1, Madison, Wisconsin 53703.

JURISDICTION AND VENUE

3. This Court has subject matter jurisdiction over this case under 28 U.S.C. §§ 1331 and 1338.
4. This Court has personal jurisdiction over Defendant. Defendant has continuous and systematic business contacts with the State of Wisconsin. Defendant transacts business within this District and elsewhere in the State of Wisconsin. Further, this Court has personal jurisdiction over Defendant based on its commission of one or more acts of infringement of Wiesblatt's Patents in this District and elsewhere in the State of Wisconsin.
5. Defendant directly conducts business extensively throughout the State of Wisconsin, by distributing, making, using, offering for sale, selling, and advertising its products and services in the State of Wisconsin and in this District. Defendant has purposefully and voluntarily made its business services, including the infringing systems and services, available to residents of this District and into the stream of commerce with the intention and expectation that they will be purchased and/or used by consumers in this District.
6. Defendant maintains physical brick-and-mortar business locations in the State of Wisconsin and within this District, retains employees specifically in this District for the purpose of servicing customers in this District, and generates substantial revenues from its business activities in this District.
7. Venue is proper in this District as to Defendant pursuant to at least 28 U.S.C. §§ 1391(c)(2) and 1400(b). As noted above, Defendant Sony Group, LLC maintains a regular and established business presence in this District. Venue for Defendant Sony Group Corporation is also proper in this judicial district pursuant to 28 U.S.C. §§ 1391(b), 1391(c) and 1400(b) because, among other things, it is subject to personal jurisdiction in this judicial district, has regularly conducted business in this judicial district, certain of the acts complained of herein

occurred in this judicial district, and it not resident in the United States and may be sued in any judicial district.

PATENTS-IN-SUIT

8. Plaintiff is the sole and exclusive owner, by assignment, of U.S. Patent 8,396,112 (the “112 Patent”), titled “Circuitry and Method For Transferring Data, and Circuitry and Method Utilizing Clock Pulses” (hereinafter collectively referred to as “the Wiesblatt Patents”).
9. By written instruments duly filed with the United States Patent and Trademark Office, Wiesblatt is assigned all rights, title, and interest in the Wiesblatt Patents. As such, Plaintiff Wiesblatt Licensing LLC has sole and exclusive standing to assert the Wiesblatt Patents and to bring these causes of action.
10. The Wiesblatt Patents are valid, enforceable, and were duly issued in full compliance with Title 35 of the United States Code.
11. Kesatoshi Takeuchi is the sole named inventor for the Wiesblatt Patents, originally assigned to international industry power, Seiko Epson Corporation.
12. Kesatoshi Takeuchi is the named inventor on 674 U.S. Patents that were also originally assigned to international industry giant, Seiko Epson Corporation.
13. Indeed, the Wiesblatt Patents have been cited in patents issued to well-known industry leaders, including Honeywell International Inc., which led to the issuance of its own patent titled “Quarter Cycle Waveform Detector.”
14. The Wiesblatt Patents each include numerous claims defining distinct inventions. No single claim is representative of any other.
15. The priority date of each of the Wiesblatt Patents is at least as early as November 28, 2006. As of the priority date, the inventions as claimed were novel, non-obvious, unconventional,

and non-routine. Indeed, the Wiesblatt Patents overcame a number of specific technological problems in the industry, and provided specific technological solutions.

16. The claims of the Wiesblatt Patents are patent eligible under 35 U.S.C. § 101, 102, 103, and 112, as reflected by the fact that three different Patent Examiners all agreed and allowed the Wiesblatt Patents over extensive prior art as disclosed and of record during the prosecution of the Wiesblatt Patents. *See Stone Basket Innov. v. Cook Medical*, 892 F.3d 1175, 1179 (Fed. Cir. 2018) (“when prior art is listed on the face of a patent, the examiner is presumed to have considered it”) (citing *Shire LLC v. Amneal Pharm., LLC*, 802 F.3d 1301, 1307 (Fed. Cir. 2015)); *Exmark Mfg. v. Briggs & Stratton*, 879 F.3d 1332, 1342 (Fed. Cir. 2018).
17. After giving full proper credit to the prior art and having conducted a thorough search for all relevant art and having fully considered the most relevant art known at the time, the United States Patent Examiners allowed all of the claims of the Wiesblatt Patents to issue. In so doing, it is presumed that Examiners used their knowledge of the art when examining the claims. *See K/S Himpp v. Hear-Wear Techs., LLC*, 751 F.3d 1362, 1369 (Fed. Cir. 2014). It is further presumed that Patent Examiners had experience in the field of the invention, and that the Patent Examiners properly acted in accordance with a person of ordinary skill. *In re Sang Su Lee*, 277 F.3d 1338, 1345 (Fed. Cir. 2002).
18. The claims of the Wiesblatt Patents are novel and non-obvious, including over all non-cited art that is merely cumulative with the referenced and cited prior art. *See* 37 C.F.R. § 1.56(b) (information is material to patentability when it is not cumulative to information already of record in the application); *see also AbbVie Deutschland GmbH v. Janssen Biotech*, 759 F.3d 1285, 1304 (Fed. Cir. 2014); *In re DBC*, 545 F.3d 1373, 1382 (Fed. Cir. 2008). Likewise, the claims of the Wiesblatt Patents are novel and non-obvious, including over all non-cited

contemporaneous state of the art systems and methods, all of which would have been known to a person of ordinary skill in the art, and which were therefore presumptively also known and considered by the Examiners. *See, e.g., St. Clair I.P. Consultants v. Canon, Inc.*, 2011 WL 66166 at *6 (Fed. Cir. 2011); *In re Sang Su Lee*, 277 F.3d 1338, 1345 (Fed. Cir. 2002); *In re Koninklijke Philips Patent Litigation*, 2020 WL 7392868 at *19 (N.D. Cal. 2020); *Standard Oil v. American Cyanamid*, 774 F.2d 448, 454 (Fed. Cir. 1985) (persons of ordinary skill are presumed to be aware of all pertinent prior art).

THE ACCUSED INSTRUMENTALITIES

19. Upon information and belief, Defendant makes, sells, advertises, offers for sale, uses, or otherwise provides a circuitry for transmitting data between a host and a memory (e.g., LPDDR5 RAM) covered by the Wiesblatt Patents, including the Smart Wireless Computing Inforce 68A1 Development Kit, as represented below, including all augmentations to these platforms or descriptions of platforms. Collectively, all the foregoing is referred to herein as the “Accused instrumentalities.”



See https://www.penguinsolutions.com/edge/wp-content/uploads/2022/07/SYS68A1_Hardware_Reference_Manual_003910_Rev_A.pdf.

ORIGINAL COMPLAINT FOR PATENT INFRINGEMENT

3.4 FEATURES

- 50mm × 35mm Form factor for IFC68A1 SOM
- 130mm x 100mm Form factor for ACC-1C20 Carrier
- LPDDR5 Memory
- UFS booting
- Micro SD Card Slot
- Power options: 12V DC or 3.8V Battery
- Display: USB Type C Display Port, dual 4 lane MIPI-DSI with touch
- Camera: 3× 4 lane MIPI-CSI
- USB: 1× USB 3.0 Type A (Host), 1× USB Type C (DP, Debug & OTG)
- AUDIO: Combo headset jack
- Dual-stream dual-band Wi-Fi/BT PCB Antenna
- Debug interfaces: UART 3.3V, USB Type C (ADB)
- 40-pin expansion header

See https://www.penguin-solutions.com/edge/wp-content/uploads/2022/07/SYS68A1_Hardware_Reference_Manual_003910_Rev_A.pdf

ARLINGTON, Va., USA – FEBRUARY 19, 2019 – JEDEC Solid State Technology Association, the global leader in standards development for the microelectronics industry, today announced the publication of JESD209-5, Low Power Double Data Rate 5 (LPDDR5). LPDDR5 will eventually operate at an I/O rate of 6400 MT/s, 50% higher than that of the first version of LPDDR4, which will significantly boost memory speed and efficiency for a variety of applications including mobile computing devices such as smartphones, tablets, and ultra-thin notebooks. In addition, LPDDR5 offers new features designed for mission critical applications such as automotive. Developed by JEDEC's JC-42.6 Subcommittee for Low Power Memories, LPDDR5 is available for download from the [JEDEC website](#).

With the doubling of memory throughput over the previous version of the standard (LPDDR5 is being published with a data rate of 6400 MT/s, compared to 3200 MT/s for LPDDR4 at its publication in 2014), LPDDR5 promises to have an enormous impact on the performance and capabilities of the next generation of portable electronic devices. To achieve this performance improvement, LPDDR5 architecture was redesigned; moving to 16Banks programmable architecture and multi-clocking architecture.

See <https://www.jedec.org/news/pressreleases/jedec-updates-standard-low-power-memory-devices-lpddr5>.

LPDDR5 electrical system representation is as shown in the following diagram.

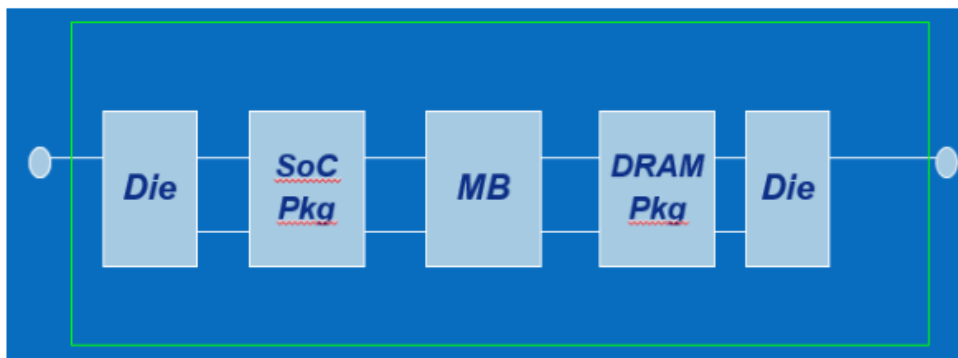


Figure 1 Block Diagram for SoC and LPDDR

The figure shows the SoC LPDDR5 die, pkg and then Motherboard (MB). This particular implementation shows BGA down version for the LPDDR5. The LPDDR5 package is shown to be connected to the motherboard.

See <https://docplayer.net/158110952-Electrical-integrity-for-lpddr5-memory-technology.html>

COUNT I
Infringement of U.S. Patent No. 8,396,112

20. Plaintiff incorporates the above paragraphs by reference.
21. Defendant has been on actual notice of the '112 Patent at least as early as the date it received service of the Original Complaint in this litigation.
22. The damages period begins at least as early as six years prior to the date of service of the Original Complaint in this litigation.
23. Defendant manufactures, sells, offers for sale, owns, directs, and/or controls the operation of the Accused Instrumentalities and generates substantial financial revenues and benefits therefrom.
24. Defendant has directly infringed and continues to directly infringe the claims of the '112 Patent. As exemplary, Claim 1 is by making, using, importing, selling, and/or offering for sale the Accused Instrumentalities. Defendant directly makes and sells the infringing Accused Instrumentalities at least because it is solely responsible for putting the infringing systems into service by directing or controlling the systems as a whole and by obtaining the benefits therefrom. More specifically, and on information and belief, with respect to the Accused Instrumentalities, Defendant:

- provides a circuitry for transmitting data between a host and a memory (e.g., LPDDR5 RAM);
- (ii) provides a variable power supply voltage generator (e.g., PMIC) for generating a variable power supply voltage (e.g., VDDQ and/or VDD2 from min to max voltage);
- (iii) provides a transmitting circuit (e.g., circuit for the transmitter) operative at the variable power supply voltage (e.g., variable voltages of VDDQ and VDD2) for generating a multi-value analog signal (e.g., multiple analog waveforms generated by

the variable supply voltages) and transmitting the multi-value analog signal to other circuits (e.g., circuits of the receiver);

- (iv) provides a receiving circuit (e.g., circuit for the receiver) operative at the variable power supply voltage for receiving the multi-value analog signal (e.g., multiple analog waveforms) and performing A/D conversion to re-generate a multi-value digital signal, where the receiver utilizes DFE which performs A/D conversion to generate digital signals.; and
- (v) provides a threshold voltage generator for generating threshold voltages (e.g., V_{refDQ}) used for the A/D conversion (e.g., A/D conversion of the DFE system) and supplying the threshold voltages (e.g., V_{refDQ}) to the receiving circuit (e.g., the receiver), the threshold voltages (e.g., V_{refDQ}) being generated from the variable power supply voltage (e.g., V_{DDQ}) or from a signal having a voltage value proportional to the variable power supply voltage (e.g., V_{refDQ} is usually $\frac{1}{2}$ of V_{DDQ}), where A circuit onboard each DRAM generates V_{refDQ} from V_{DDQ} . The objective is to have V_{refDQ} vary with V_{DDQ} . The threshold voltage V_{refDQ} is derived from V_{DDQ} such that it is generated from the variable power supply voltage V_{DDQ} , and where the threshold voltage V_{refDQ} is used by the DFE system of the receiver indicating that the threshold voltage V_{refDQ} is used for the A/D conversion illustrated above;

25. Further on information and belief, Defendant directly uses the infringing Accused Instrumentalities at least because it assembled the combined infringing elements and makes them collectively available in the United States, including via its Internet domain web pages and/or software applications, as well as via its internal systems and interfaces. Further, and

on information and belief, Defendant has directly infringed by using the infringing Accused Instrumentalities as part of its ongoing and regular testing and/or internal legal compliance activities. Such testing and/or legal compliance necessarily requires Defendant to make and use the Accused Instrumentalities in an infringing manner. Still further, Defendant is a direct infringer by virtue of its branding and marketing activities, which collectively comprise the sale and offering for sale of the infringing Accused Instrumentalities.

26. As Figure 1 shows above, Defendant is making, using, and offering for sale the Accused Instrumentalities.
27. Additionally, upon information and belief, Defendant owns, directs, and/or controls the infringing method operation of the Accused Instrumentalities.
28. On information and belief, the infringement of the Wiesblatt Patents by Defendant will now be willful through the filing and service of this Complaint.
29. In addition or in the alternative, Defendant now has knowledge and continues these actions and it indirectly infringes by way of inducing direct infringement by others and/or contributing to the infringement by others of the '112 Patent in the State of Wisconsin, in this judicial district, and elsewhere in the United States, by, among other things, making, using, importing, offering for sale, and/or selling, without license or authority, infringing services for use in systems that fall within the scope of the claims of the '112 Patent. This includes without limitation, one or more of the Accused Instrumentalities by making, using, importing offering for sale, and/or selling such services, Defendant injured Wiesblatt and is thus liable to Wiesblatt for infringement of the '112 Patent under 35 U.S.C. § 271.
30. Now with knowledge of the Wiesblatt Patents, Defendant induces infringement under Title 35 U.S.C. § 271(b). Defendant will have performed actions that induced infringing acts that

Defendant knew or should have known would induce actual infringements. *See Manville Sales Corp. v. Paramount Sys., Inc.*, 917 F.2d 544, 553 (Fed.Cir.1990), quoted in *DSU Med. Corp. v. JMS Co.*, 471 F.3d 1293, 1306 (Fed.Cir.2006) (*en banc* in relevant part). “[A] finding of inducement requires a threshold finding of direct infringement—either a finding of specific instances of direct infringement or a finding that the accused products necessarily infringe.” *Ricoh*, 550 F.3d at 1341 (citing *ACCO Brands, Inc. v. ABA Locks Manufacturer Co.*, 501 F.3d 1307, 1313, (Fed. Cir. 2007)).

31. Plaintiff will rely on direct and/or circumstantial evidence to prove the intent element. *See Fuji Photo Film Co. v. Jazz Photo Corp.*, 394 F.3d 1368, 1377 (Fed. Cir. 2005) (“A patentee may prove intent through circumstantial evidence.”); *Water Techs. Corp. v. Calco, Ltd.*, 850 F.2d 660, 668 (Fed. Cir. 1988) (“While proof of intent is necessary, direct evidence is not required; rather, circumstantial evidence may suffice.”).
32. Defendant has taken active steps to induce infringement, such as advertising an infringing use, which supports a finding of an intention for the accused product to be used in an infringing manner. *See Metro-Goldwyn-Mayer Studios Inc. v. Grokster, Ltd.*, 545 U.S. 913, 932, 125 S. Ct. 2764, 162 L. Ed. 2d 781 (2005) (explaining that the contributory infringement doctrine “was devised to identify instances in which it may be presumed from distribution of an article in commerce that the distributor intended the article to be used to infringe another’s patent, and so may justly be held liable for that infringement”).
33. In addition, on information and belief, and based in part upon the clear infringement by the Accused Instrumentalities, Defendant has a practice of not performing a review of the patent rights of others first for clearance or to assess infringement thereof prior to launching

products and services. As such, Defendant has been willfully blind to the patent rights of Plaintiff.

34. The foregoing infringement on the part of Defendant has caused past and ongoing injury to Plaintiff. The specific dollar amount of damages adequate to compensate for the infringement shall be determined at trial but is in no event less than a reasonable royalty from the date of first infringement to the expiration of the Wiesblatt Patents.
35. Each of Defendant's aforesaid activities have been without authority and/or license from Plaintiff.

PRAYER FOR RELIEF

WHEREFORE, Wiesblatt Licensing LLC respectfully requests the Court enter judgment against Defendant as follows:

1. Declaring that Defendant has infringed each of the Wiesblatt Patents;
2. Awarding Wiesblatt Licensing LLC its damages suffered because of Defendant's infringement of the Wiesblatt Patents;
3. Enter a judgment awarding treble damages pursuant to 35 U.S.C. §284 for Defendant's willful infringement of one or more of the Wiesblatt Patents;
4. Awarding Wiesblatt Licensing LLC its costs, reasonable attorneys' fees, expenses, and interest; and
5. Granting Wiesblatt Licensing LLC such further relief as the Court finds appropriate.

JURY DEMAND

Wiesblatt Licensing LLC demands trial by jury, under Fed. R. Civ. P. 38.

Respectfully Submitted

/s/ Randall Garteiser

M. Scott Fuller

Texas Bar No. 24036607

sfuller@ghiplaw.com

Randall Garteiser

Texas Bar No. 24038912

rgarteiser@ghiplaw.com

Christopher A. Honea

Texas Bar No. 24059967

chonea@ghiplaw.com

René A. Vazquez

Virginia Bar No. 41988

rvazquez@ghiplaw.com

GARTEISER HONEA, PLLC

119 W. Ferguson Street

Tyler, Texas 75702

Telephone: (903) 705-7420

Facsimile: (903) 405-3999

**ATTORNEYS FOR PLAINTIFF
WIESBLATT LICENSING LLC**