

1 Bruce B. Brunda (SBN 108,898)
2 Stephen Z. Vegh (SBN 174,713)
3 STETINA BRUNDA GARRED & BRUCKER
4 75 Enterprise, Suite 250
5 Aliso Viejo, CA 92656
6 Email: litigate@stetinalaw.com
7 Tel: (949) 855-1246
8 Fax: (949) 855-6371

9 Attorneys for Plaintiff
10 SPRITE INDUSTRIES, INC.

FILED
2007 DEC 16 PM 12:10
CLERK, U.S. DISTRICT COURT
CENTRAL DIST. OF CALIF.
RIVERSIDE

11 IN THE UNITED STATES DISTRICT COURT
12 FOR THE CENTRAL DISTRICT OF CALIFORNIA

ED CV 07 - 1612 SGL

13 SPRITE INDUSTRIES, INC., a California
14 corporation; and DAVID K. FARLEY, an
15 individual,

16 Plaintiffs

17 vs.

18 CULLIGAN INTERNATIONAL
19 COMPANY, a Delaware corporation; and
20 DOES 1 through 10, inclusive,

21 Defendants

Case No.

(JCRx)

**COMPLAINT FOR PATENT
INFRINGEMENT**

DEMAND FOR JURY TRIAL

22 Plaintiff, Sprite Industries, Inc., alleges as follows:

23 **PARTIES**

24
25 1. Plaintiff, Sprite Industries, Inc. (hereinafter "Sprite") is a corporation
26 organized and existing under the laws of the State of California, and having a
27 principal place of business at 1827 Capital Street, Corona, California 92880.

28 2. Plaintiff, David K. Farley (hereinafter "Farley") is a resident of the state

STETINA BRUNDA GARRED & BRUCKER
75 ENTERPRISE, SUITE 250
ALISO VIEJO, CALIFORNIA 92656
PHONE: (949) 855-1246; FACSIMILE: (949) 855-6371

(P)
fee
paid
5/20

STETINA BRUNDA GARRED & BRUCKER
75 ENTERPRISE, SUITE 250
ALISO VIEJO, CALIFORNIA 92656
PHONE: (949) 855-1246; FACSIMILE: (949) 855-6371

1 of California, and is owner of U.S. Patent No. 6,325,903 (“Sprite” and “Farley” are
2 hereinafter collectively referred to as “Plaintiffs”).

3 3. Upon information and belief, Defendant Culligan International Company
4 (hereinafter “Culligan”) is a corporation organized and existing under the laws of the
5 State of Delaware, and having a principal place of business at 1 Culligan Pkwy,
6 Northbrook, Illinois 60062.

7 4. The true names and capacities of the Defendants named herein as DOES
8 1 through 10, whether individual, corporate, associate, or otherwise, are unknown to
9 Sprite, who therefore sues said Defendants by said fictitious names. Sprite is
10 informed and believes, and thereon alleges, that each of the Defendants designated
11 herein as DOE is legally responsible for the events and happenings hereinafter
12 alleged and legally caused injury and damages proximately thereby to Sprite as herein
13 alleged. Sprite will seek leave to amend the Complaint when the true names and
14 capacities of said DOE Defendants have been ascertained. Culligan and Does 1
15 through 10 are hereinafter collectively referred to as “Defendants.”

16 **JURISDICTION AND VENUE**

17 5. This action arises under the patent laws of the United States of America
18 (35 U.S.C. §§1 *et seq.*), and is for patent infringement and jurisdiction over this
19 action is founded upon 28 U.S.C. §§1331 and 1338. Venue is proper under 28 U.S.C.
20 §1391(b), this claim having arisen in this district. Defendants sold infringing
21 products in this district and directed sales and marketing efforts toward this district.

22 **BACKGROUND OF THE CONTROVERSY**

23 6. Farley is the owner of United States Patent No. 6,325,930 (the ‘930
24 Patent). A copy of such patent is attached hereto as **Exhibit 1**. Sprite is the exclusive
25 licensee of the ‘930 patent.

26 7. Plaintiffs have been and continue to be actively engaged in the
27 manufacture and sale of high quality shower filtration devices.

28 8. Plaintiffs are informed and believe, and thereupon alleges that the

STETINA BRUNDA GARRED & BRUCKER
75 ENTERPRISE, SUITE 250
ALISO VIEJO, CALIFORNIA 92656
PHONE: (949) 855-1246; FACSIMILE: (949) 855-6371

1 Defendants are selling shower filtration devices which are infringing one or more
2 claims of the patent. A webpage printout of Defendants' product is attached hereto as
3 **Exhibit 2.**

4 9. Plaintiffs are informed and believe, and thereupon allege that the
5 Defendants' sale of their shower filtration devices has resulted in lost sales, has
6 reduced the business and profits of Plaintiffs, to Plaintiffs' damage in an amount not
7 yet fully determined.

8 10. The exact amount of profits realized by Defendants as a result of all of
9 their infringing activities, are presently known to Plaintiffs, as are the exact amount
10 of damages suffered by Plaintiffs as a result of said activities. These profits and
11 damages cannot be accurately ascertained without an accounting. Further,
12 Defendants' actions are irreparably injuring Plaintiffs and will continue unless and
13 until enjoined by this Court.

14 **FIRST CLAIM FOR RELIEF**

15 11. The allegations of paragraphs 1 through 10 are repeated and realleged as
16 though fully set forth herein.

17 12. Farley is the owner of all right, title and interest in and to the '930
18 Patent. The '930 patent was duly and lawfully issued on December 4, 2001 and is
19 presently valid and in full effect.

20 13. Upon information and belief, Defendants have been and are infringing
21 the '930 Patent within this district and elsewhere in the United States by selling
22 and/or offering for sale products that infringe one or more of the claims of the '930
23 Patent.

24 14. Upon information and belief, Defendants are contributorily infringing
25 the '930 Patent within this district and elsewhere in the United States by selling,
26 distributing or offering for sale in the United States shower filtration devices for use
27 in practicing the invention set forth in the '930 Patent, that they know to be especially
28 made or especially adapted for use in infringement of the invention embodied in the

STETINA BRUNDA GARRED & BRUCKER
75 ENTERPRISE, SUITE 250
ALISO VIEJO, CALIFORNIA 92656
PHONE: (949) 855-1246; FACSIMILE: (949) 855-6371

1 '930 Patent. Upon information and belief, these products have no substantial non-
2 infringing use in commerce.

3 15. Upon information and belief, Defendants are inducing infringement of
4 the '930 Patent within this district and elsewhere in the United States by instructing in
5 the use of products that infringe one or more of the claims of the '930 Patent.

6 16. Upon information and belief, by the acts of patent infringement herein
7 complained of, the Defendants have made substantial profits to which they are not
8 equitably entitled.

9 17. By reason of the aforementioned acts of the Defendants, Plaintiffs have
10 suffered great detriment in a sum which cannot be ascertained at this time.

11 18. Upon information and belief, Defendants continue to infringe Plaintiffs'
12 '930 Patent, and will continue to infringe Plaintiffs' '930 Patent to Plaintiffs'
13 irreparable harm, unless enjoined by this Court.

14 19. Any continuing of infringement of the '930 Patent by Defendants after
15 receiving notice of the '930 Patent have been willful, entitling Plaintiffs to enhanced
16 damages and attorneys' fees.

17 **PRAYER FOR RELIEF**

18 WHEREFORE, Plaintiffs pray as follows:

19 1. A judgment that Defendants have infringed, contributorily infringed,
20 and/or induced infringement of the '930 Patent;

21 2. A judgment that Defendants' infringement of the '930 Patent has been
22 willful;

23 3. A preliminary and permanent injunction, pursuant to 35 U.S.C. §283,
24 enjoining Defendants, and all persons in active concert or participation with them,
25 from any further acts of infringement, contributory infringement or inducement of
26 infringement of the '930 Patent;

27 4. An order, pursuant to 35 U.S.C. §284, awarding Plaintiffs damages
28 adequate to compensate Plaintiffs for Defendants' infringement of the '930 Patent, in

1 an amount to be determined at trial, but in no event less than a reasonable royalty;

2 5. An order, pursuant to 35 U.S.C. §284, trebling all damages awarded to
3 Plaintiffs based on Defendants' willful infringement of the '930 Patent;

4 6. An order awarding Plaintiffs their attorneys' fees in this action; and

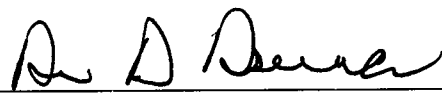
5 7. That Plaintiffs have such other and further relief as the circumstances of
6 this case may require and as this Court may deem just and proper.

7
8
9
10
11
12
13
14
15
16
17
18
19
20
21
22
23
24
25
26
27
28

Dated: December 5, 2007

STETINA BRUNDA GARRED & BRUCKER

STETINA BRUNDA GARRED & BRUCKER
75 ENTERPRISE, SUITE 250
ALISO VIEJO, CALIFORNIA 92656
PHONE: (949) 855-1246; FACSIMILE: (949) 855-6371

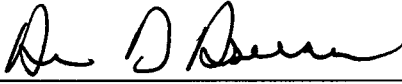
By: 
Bruce B. Brunda
Attorneys for Plaintiffs
DAVID K. FARLEY and SPRITE
INDUSTRIES, INC.

DEMAND FOR JURY TRIAL

Plaintiffs, David K. Farley and Sprite Industries, Inc., hereby demand a jury trial in this action.

Dated: December 5, 2007

STETINA BRUNDA GARRED & BRUCKER

By: 

Bruce B. Brunda
Attorneys for Plaintiffs DAVID K. FARLEY
and SPRITE INDUSTRIES, INC.

STETINA BRUNDA GARRED & BRUCKER
75 ENTERPRISE, SUITE 250
ALISO VIEJO, CALIFORNIA 92656
PHONE: (949) 855-1246; FACSIMILE: (949) 855-6371

T:\Client Documents\Sprit\013L\Complaint.doc

1
2
3
4
5
6
7
8
9
10
11
12
13
14
15
16
17
18
19
20
21
22
23
24
25
26
27
28



US006325930B2

(12) **United States Patent**
Farley

(10) **Patent No.:** US 6,325,930 B2
(45) **Date of Patent:** *Dec. 4, 2001

(54) **FILTERED SHOWERHEAD**

(76) **Inventor:** David K. Farley, 1827 Capital St.,
Corona, CA (US) 91720

5,152,464	*	10/1992	Farley	239/553.3
5,503,742	*	4/1996	Farley	210/238
5,545,314	*	8/1996	Parise et al.	210/282
5,549,822	*	8/1996	Ferguson	210/449
6,214,224	*	4/2001	Farley	210/282

(*) **Notice:** Subject to any disclaimer, the term of this patent is extended or adjusted under 35 U.S.C. 154(b) by 0 days.

* cited by examiner

This patent is subject to a terminal disclaimer.

Primary Examiner—Ivars Cintins
(74) *Attorney, Agent, or Firm*—James G. O'Neill

(57) **ABSTRACT**

A showerhead having a water filter element held therein. The water filter element is easily changeable by unscrewing two halves of a body forming the showerhead. The body halves are easily gripped and turned, so as to be opened or closed, and the showerhead preferably includes a massage-type head at the lower end thereof, which may be rotated to vary the streams of water exiting the showerhead. The water filter element cooperates with internal components of the halves of the body to direct the flow of water through the filter element, and then out of the massage head. The showerhead may be easily and quickly adapted to be held on any shower arm, and to replace any existing showerhead without taking up as much room as currently existing filter elements used with available showerheads.

(21) **Appl. No.:** 09/754,047

(22) **Filed:** Jan. 3, 2001

Related U.S. Application Data

(63) Continuation of application No. 09/340,514, filed on Jun. 28, 1999, now Pat. No. 6,214,224.

(51) **Int. Cl.⁷** B01D 27/02

(52) **U.S. Cl.** 210/282; 210/449

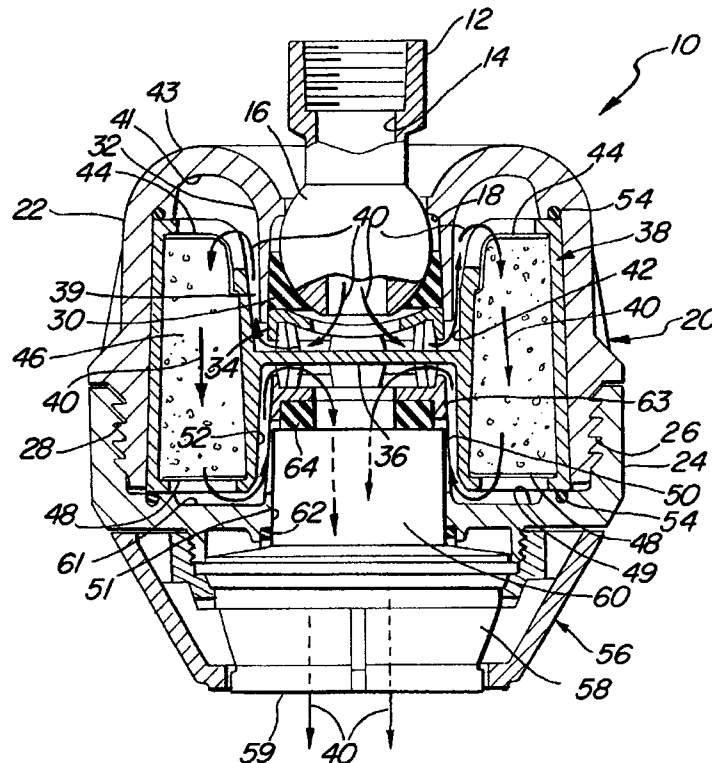
(58) **Field of Search** 210/282, 287, 210/449; 239/553.3, 553.5

(56) **References Cited**

U.S. PATENT DOCUMENTS

4,275,908 * 6/1981 Elkins et al. 285/55

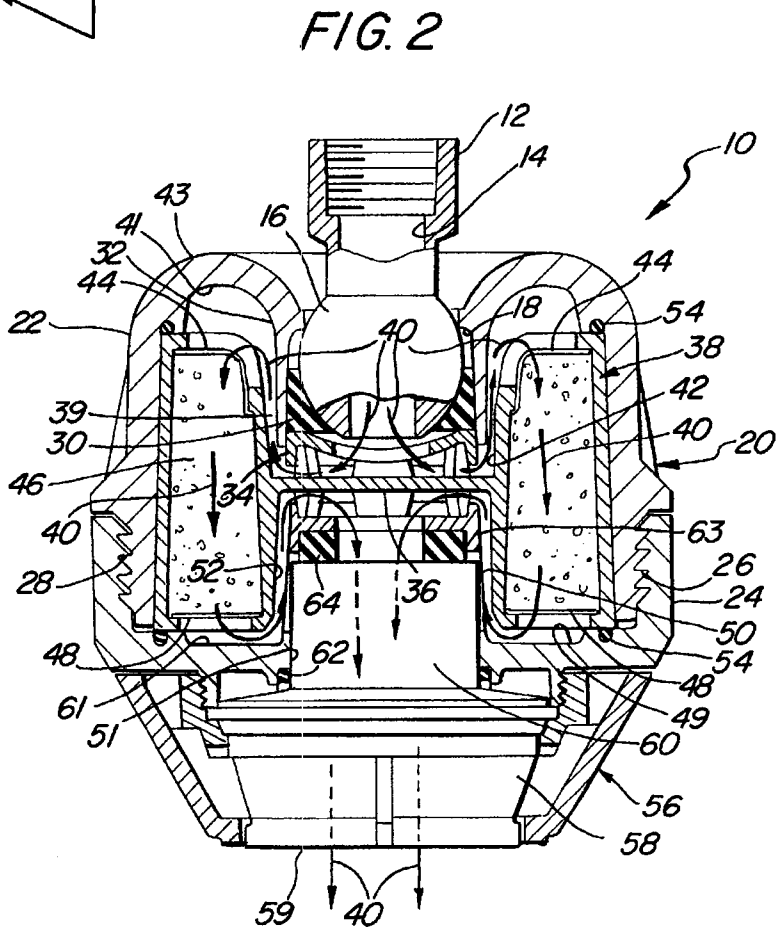
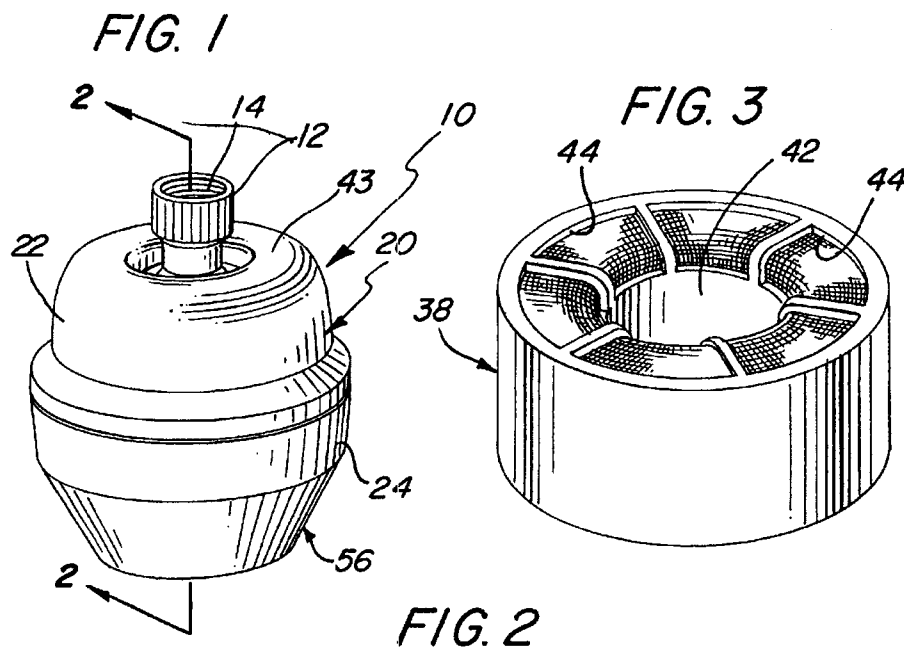
4 Claims, 1 Drawing Sheet



U.S. Patent

Dec. 4, 2001

US 6,325,930 B2



1

FILTERED SHOWERHEAD

This is a continuation of application Ser. No. 09/340,514, filed Jun. 28, 1999, now U.S. Pat. No. 6,214,224.

BACKGROUND OF THE INVENTION

1. Field of the Invention

This invention relates generally to showerheads, and, more particularly, to an improved, compact showerhead, having a water filter therein.

2. Description of Related Art

Shower filters for use in conjunction with showerheads are known. These filters may be inserted into a water line, between the showerhead and the shower arm. However, because of the size of the filter and the added showerhead, this moves or offsets the showerhead so that it extends further into a shower area and, in some cases, interfering with a person taking a shower. Because of problems with a size and the installation of such known shower filters, as well as the high cost of manufacturing, there exists the need in the art for a less-cumbersome, easy-to-install and move, low-cost combination showerhead and water filter device, that is also compact, and takes up a minimum of space.

Known shower filter assemblies are set forth in U.S. Pat. No. 5,503,742 to Farley, U.S. Pat. No. 5,300,224 to Farley, and U.S. Pat. No. 5,152,464 to Farley. While the foregoing prior art devices provide improved filtration of hot water passing through them, they require that a separate showerhead be attached to an outlet of the filters, thereby extending the size of the joined showerhead and shower filter.

SUMMARY OF THE INVENTION

Accordingly, it is a general object of the present invention to provide an improved shower head assembly. It is a particular object of the present invention to provide a combination shower filter and showerhead. It is a still more particular object of the present invention to provide a compact showerhead and water filter combination that take up a minimum amount of space. It is a further object of the present invention to provide a compact combined showerhead and water filter that may be easily attached to an existing shower arm, and take up substantially no more space than known showerheads having no filter therein.

The showerhead of the present invention, with its replaceable filter, is compact and may be provided with a message-type spray head, to eliminate the bothersome extension of known shower filters, added before existing showerheads. The showerhead of the present invention provides a more-efficient and economical incorporation of a water filter in a showerhead having a single ergonomically designed body.

In accordance with one aspect of the present invention, there is provided a combination showerhead and water filter assembly having a compact design, which utilizes the internal water filter to direct water entering the showerhead to pass through filter media held in the water filter. In this manner, chlorine and other unwanted materials in the water are filtered out in the showerhead. The combination showerhead and water filter are held in a single body or housing that is made as small as possible, to take up a minimum amount of space. Additionally the single body is easily disassembled to replace or remove the water filter held therein, and provides a compact showerhead and water filter assembly that may be used in substantially any shower, without extending to far into the shower area.

BRIEF DESCRIPTION OF THE DRAWINGS

The objects and features of the present invention, which are believed to be novel, are set forth with particularity in the

2

appended claims. The present invention, both as to its organization and manner of operation, together with further objects and advantages, may best be understood by reference to the following description, taken in connection with the accompanying drawings, wherein like reference numerals are used throughout the several views, and, in which:

FIG. 1 is a perspective view of a preferred embodiment of the combination showerhead and water filter assembly of the present invention;

FIG. 2 is an enlarged cross sectional view taken along line 2—2 of FIG. 1, looking in the direction of the arrows; and

FIG. 3 is a perspective view of the replaceable water filter of the present invention.

DESCRIPTION OF THE PREFERRED EMBODIMENTS

The following description is provided to enable any person skilled in the art to make and use the invention and sets forth the best modes contemplated by the inventor of carrying out his invention. Various modifications, however, will remain readily apparent to those skilled in the art, since the generic principles of the present invention have been defined herein specifically to provide for an improved combination showerhead and water filter assembly, generally indicated by the numeral 10.

Turning now to the drawings, FIGS. 1 and 2, there shown is a preferred embodiment of the compact showerhead and water filter assembly 10 of the present invention. The combined showerhead and water filter is held in a body 20, which may be fixed to the end of a shower arm or water pipe, not shown, by means of a threaded inlet end 12 having an inlet passage 14. The inlet passage 14 is preferably formed integrally with a rotatable element 16, such as a ball joint or swivel ball that allows the unit 10 to be moved. The ball joint or swivel ball 16 is rotatably held in a recessed opening 18 formed in a top surface of a top or upper half 22 of the body 20. The body 20 includes a mating bottom or lower half 24, which is secured to the top half 22 by internal and external threads 26, 28 formed on mating end portions of the top and bottom halves 22, 24. The ball joint 16 is held in the recessed opening 18 by means of an annular sealing element 30 and a first baffle element 34.

Although the top and bottom halves 22, 24 of body 20 may be formed in any desired shape, they are preferably hollow and include cylindrical mating portions which are held together, as shown in FIGS. 1 and 2. The recessed opening 18 is formed in an inwardly extending annular housing portion 32 formed in a top surface 43 of the top half 22. The annular sealing element 30 is captured in a lower end of this annular housing portion 32 to prevent leakage past the ball joint 16. Additionally, the baffle element 34, such as an annular element having at least one opening therein is held within a lower end of the annular housing 32 and acts to hold the annular sealing element 30 against the ball joint 16. The baffle element 34 cooperates with extending portions of a central dividing member or wall 36 of a filter element 38 captured within an internal chamber formed between the two halves 22, 24 to form a first baffle means to deflect the water entering from inlet passage 14. The filter element 38 included an annular body portion that cooperates with the baffle means to direct the flow of water entering inlet 14 in the direction of arrows 40. After entering inlet 14, water is deflected off the baffle means including the element 34 and a top surface of central dividing member or wall 36. The water then flows into an annular passage 39 formed between an inner surface or wall of annular housing 32 and

US 6,325,930 B2

3

an upper inner wall 42 formed on the top portion of the annular body of filter element 38, above the dividing member 14. The water is then deflected by curved inner walls 41 of the top surface 43 into a plurality of inlet openings 44 formed in the top of the annular housing of filter 38. The openings 44 include a screen or wire mesh therein to hold a filter media 46 in the annular housing. This filter media is preferably a chlorine removing media, such as Chlorgon™, manufactured by Sprite Industries of Corona California and is described in U.S. Pat. No. 5,914,043, issued Jun. 22, 1999. Water passes through the filter media 46 and out a plurality of exit openings 48 formed in a lower part of the annular housing of filter element 38. Exit openings 48 also having a wire mesh or screen held therein to keep the filter media 46 within the annular housing.

The filter element 38 is securely held in the internal chamber formed by the mating halves 22, 24, when they are screwed together by the internal and external threads 26, 28 on the outer ends of each of the halves. Sealing elements 54, such as O-ring seals, are held in annular grooves formed in annular supporting portions or walls formed within each of the top and bottom halves, and cooperate with flat ends of the annular housing to seal the filter element 38 within the internal chamber of housing 20.

The lower half 24 of body 20 includes a bottom or lower wall 49 having a central opening 51 formed therein. A valve end of the showerhead 10 preferably includes an adjustable means 56, commonly referred to as a "massage head" at a lower or outer end of the bottom or lower half 24, below the wall 49. This massage head is movable to provide various spray patterns, varying between a fine spray and a massaging or pulsating spray from a plurality of openings, not shown, in an outer end 59 of an internal portion 58, in a manner well known to those skilled in the art. The internal portion 58 is included in massage head 56, and includes a cylindrical upper portion 60, which is sealed in the opening 51 by a sealing element 62, such as an O-ring. A further sealing ring 64 is held by a further or second baffle element 63 against an inner end of the upper cylindrical portion 60. The second baffle element 63 cooperates with extending portions of a bottom surface of the central dividing member or wall 36 to provide a baffle means, which directs the water flow back to the centerline of the showerhead, before exiting through outer end 59.

The lower wall 49 includes an annular groove 61 formed therein, and water exiting openings 48 will be deflected by this annular groove 61 into an annular passage 50 formed between a lower internal wall 52 of the annular housing of the filter element 38, below the central dividing plate or wall 36, and an outer surface or wall of the cylindrical element 60. After flowing through the annular passage 50, the water is then turned back to the centerline of the showerhead by the baffle means 36, 63. The water then flows through the annular sealing element 64, and out through an internal passage formed through upper cylindrical portion 60 and the internal portion 58 of massage head 56.

When the top and bottom halves 22, 24 are assembled, as by being screwed together, the filter element 38 is held within the internal chamber formed therein and cooperates with the internal chamber to direct water flow through filter media held therein. The filter element 38 may be easily changed by unscrewing the top and bottom halves, removing

4

the filter, and refilling the filter with new filter media, or replacing the entire filter. The filter media held within the filter 38 may be any desired filter media, but is preferably Chlorgon™, as described above, which removes chlorine and other unwanted materials from hot shower water.

All of the elements of showerhead filter assembly of the present invention may be fabricated in any desired manner, using any acceptable material, such as by molding plastic materials to form the various elements. Each of the elements is sized and dimensioned so that it is of minimum size, but is still capable of being secured to other elements and to a shower arm, as by means of the threaded end 12, so as to accommodate a water filter of sufficient size to filter out unwanted contaminants from hot shower water, without taking up more space than available showerheads having no filters therein.

Accordingly, as will be apparent to those skilled in the art, the assembly of the present invention provides considerable advantages in ease and flexibility of manufacture of showerheads and water filters. Additionally, the showerhead and water filter combination of the present invention is easy to use and install, and takes up substantially less space than known showerheads and separately attached shower filters. The top and bottom halves of the showerhead assembly are easily taken apart, for installation and removal of the filter element contained therein.

Those skilled in the art will appreciate that various adaptations and modifications of the just-described preferred embodiments can be configured without departing from the scope and spirit of the invention. Therefore, it is to be understood that, within the scope of the appended claims, the invention may be practiced other than as specifically described herein.

What is claimed is:

1. A showerhead comprising:

- a single body containing a pivotable inlet, a shower filter and a shower spray outlet;
- the single body comprised of a top hollow mating half having the pivotable inlet therein and a bottom hollow mating half having the shower spray outlet therein;
- the top hollow mating half and the bottom hollow mating half being held together by matching threads formed at mating ends thereof to form a hollow internal chamber; and
- a water filter assembly having a plurality of inlet openings and a plurality of exit openings and a filter media held therein; the water filter assembly being secured in the hollow internal chamber.

2. The showerhead of claim 1, further including means in the internal chamber for directing flow of water from the pivotable inlet through the water filter and out of the shower spray outlet.

3. A showerhead comprising:

- a single body containing a pivotable inlet, a shower filter and a shower spray outlet;
- the single body comprised of a top hollow mating half having a recessed annular housing portion having the pivotable inlet held therein, and a bottom hollow mating half having the shower spray outlet therein;
- the top hollow mating half and the bottom hollow mating half being held together by matching threads formed at mating ends thereof and forming an internal chamber;

US 6,325,930 B2

5

a water filter assembly having a plurality of inlet openings and a plurality of exit openings with a filter media held therein; the water filter assembly being secured in the internal chamber; and
at least one baffle held in the internal chamber for directing flow of water from the pivotable inlet through the water filter assembly. 5
4. A showerhead comprising:
a single body containing a pivotable inlet, a shower filter and a shower spray outlet; 10
the single body being substantially cylindrical and having a top hollow mating half with an annular housing portion having the pivotable inlet held therein and a bottom hollow mating half having a massage head held therein; 15
the top hollow mating half and the bottom hollow mating half having end portions formed thereon, which end portions are screwed together so as to form an internal chamber;

6

a water filter assembly held in the internal chamber;
the water filter assembly having an inner chamber with filter media held therein and a plurality of inlet openings and a plurality of exit openings connecting to the inner chamber;
a first baffle element held in the internal chamber, on an upstream side of the water filter assembly;
a second baffle element held in the internal chamber on a downstream side of the water filter assembly;
the first baffle element and second baffle element cooperating with the top hollow mating half and the bottom hollow mating half to direct flow of water from the pivotable inlet into the plurality of inlet openings through the filter media in the water filter assembly, out the plurality of exit openings and through the massage head.

* * * * *

amazon.com

Bruce's
Amazon.com

Kitchen &
Dining

See all 41
Product Categories

Your Account |



Cart |

Your Lists |

Help |



Browse Brands & Products | Bestsellers | Cookware | Small Appliances | Tableware | Cook's Tools | Outlet

Search Home & Garden

GO

Gift Certificates

GO

Web Search

GO

Prime

You qualify for a FREE trial of Amazon Prime

This item is not eligible for Amazon Prime, but over a million other items are. Try Amazon Prime for FREE today.



See larger image

Share your own customer images

Culligan Wall-Mounted Filtered Showerhead with Massage

Other products by CULLIGAN

★★★★★ (1 customer review)

Price: \$29.99

Availability: In Stock. Ships from and sold by Target. Gift-wrap available.

6 used & new available from \$29.99

Price: \$29.99

In Stock

Ships from and sold by Target

Quantity: 1

Add to Shopping Cart

or

Sign in to turn on 1-Click ordering.

More Buying Choices

J&R Music and Computer World

Price: \$29.99

In Stock

Add to Cart

Noble Direct

Price: \$30.81

In Stock

Add to Cart

BIC Superstore

Price: \$30.98

In Stock

Add to Cart

6 used & new from \$29.99

Get it for less! Order it used

Have one to sell? Sell yours here

Add to Wish List

Add to Shopping List

Add to Wedding Registry

Add to Baby Registry

Tell a friend

Related Searches: home improvement, shower heads, hardware

Better Together

Buy this item with Culligan Showerhead Filter Replacement Culligan today!



+



Total List Price: \$46.98
Buy Together Today: \$41.65

Buy both now!

Product Features

- Reduces chlorine & scale for softer, cleaner skin and hair
- Reduces sulfur odor
- Showerhead offers 5 spray settings for added comfort
- Chrome finish
- Anti-clog rubber spray nozzle

Product Details

Product Dimensions: 1.6 pounds

Shipping Weight: 1.5 pounds (View shipping rates and policies)

Shipping: Currently, item can be shipped only within the U.S. and to APO/FPO addresses. For APO/FPO

Bruce B. Brunda (108,898)
Stetina Brunda Garred & Brucker
75 Enterprise, Suite 250
Aliso Viejo, CA 92656
(949) 855-1246
litigate@stetinalaw.com

FOR OFFICE USE ONLY

**UNITED STATES DISTRICT COURT
CENTRAL DISTRICT OF CALIFORNIA**

SPRITE INDUSTRIES, INC., a California
corporation; and DAVID K. FARLEY, an individual
PLAINTIFF(S)

v.

CULLIGAN INTERNATIONAL COMPANY, a
Delaware corporation; and DOES 1 through 10,
inclusive

DEFENDANT(S).

CASE NUMBER

CV 07 - 1612

SGL (JCRX)

SUMMONS

TO: THE ABOVE-NAMED DEFENDANT(S):

YOU ARE HEREBY SUMMONED and you are to file with this court and serve upon plaintiff's attorney
Bruce B. Brunda, whose address is:

Stetina Brunda Garred & Brucker
75 Enterprise, Suite 250
Aliso Viejo, CA 92656
(949) 855-1246

FOR OFFICE USE ONLY

an answer to the complaint _____ amended complaint counterclaim cross-claim
which is herewith served upon you within 20 days after service of this Summons upon you, exclusive
of the day of service. If you fail to do so, judgement by default will be taken against you for the relief
demanded in the complaint.

SHERRI R. CARTER
Clerk, U.S. District Court

FOR OFFICE USE ONLY

Dated: DEC - 6 2007

By: _____

L. MURRAY
Deputy Clerk
(Seal of the Court)

ORIGINAL

**UNITED STATES DISTRICT COURT, CENTRAL DISTRICT OF CALIFORNIA
CIVIL COVER SHEET**

<p>I (a) PLAINTIFFS (Check box if you are representing yourself <input type="checkbox"/>) SPRITE INDUSTRIES, INC., a California corporation; and DAVID K. FARLEY, an individual</p>	<p>DEFENDANTS CULLIGAN INTERNATIONAL COMPANY, a Delaware corporation; and DOES 1 through 10, inclusive</p>
<p>(b) County of Residence of First Listed Plaintiff (Except in U.S. Plaintiff Cases): Riverside</p>	<p>County of Residence of First Listed Defendant (In U.S. Plaintiff Cases Only):</p>
<p>(c) Attorneys (Firm Name, Address and Telephone Number. If you are representing yourself, provide same.) Bruce B. Brunda Stetina Brunda Garred & Brucker 75 Enterprise, Suite 250 Aliso Viejo, CA 92656 (949) 855-1246 litigate@stetinalaw.com</p>	<p>Attorneys (If Known)</p>

<p>II. BASIS OF JURISDICTION (Place an X in one box only.)</p> <p><input type="checkbox"/> 1 U.S. Government Plaintiff <input checked="" type="checkbox"/> 3 Federal Question (U.S. Government Not a Party)</p> <p><input type="checkbox"/> 2 U.S. Government Defendant <input type="checkbox"/> 4 Diversity (Indicate Citizenship of Parties in Item III)</p>	<p>III. CITIZENSHIP OF PRINCIPAL PARTIES - For Diversity Cases Only (Place an X in one box for plaintiff and one for defendant.)</p> <table style="width: 100%;"> <tr> <td style="width: 30%;">Citizen of This State</td> <td style="width: 10%;">PTF <input type="checkbox"/> 1</td> <td style="width: 10%;">DEF <input type="checkbox"/> 1</td> <td style="width: 40%;">Incorporated or Principal Place of Business in this State</td> <td style="width: 10%;">PTF <input type="checkbox"/> 4</td> <td style="width: 10%;">DEF <input type="checkbox"/> 4</td> </tr> <tr> <td>Citizen of Another State</td> <td><input type="checkbox"/> 2</td> <td><input type="checkbox"/> 2</td> <td>Incorporated and Principal Place of Business in Another State</td> <td><input type="checkbox"/> 5</td> <td><input type="checkbox"/> 5</td> </tr> <tr> <td>Citizen or Subject of a Foreign Country</td> <td><input type="checkbox"/> 3</td> <td><input type="checkbox"/> 3</td> <td>Foreign Nation</td> <td><input type="checkbox"/> 6</td> <td><input type="checkbox"/> 6</td> </tr> </table>	Citizen of This State	PTF <input type="checkbox"/> 1	DEF <input type="checkbox"/> 1	Incorporated or Principal Place of Business in this State	PTF <input type="checkbox"/> 4	DEF <input type="checkbox"/> 4	Citizen of Another State	<input type="checkbox"/> 2	<input type="checkbox"/> 2	Incorporated and Principal Place of Business in Another State	<input type="checkbox"/> 5	<input type="checkbox"/> 5	Citizen or Subject of a Foreign Country	<input type="checkbox"/> 3	<input type="checkbox"/> 3	Foreign Nation	<input type="checkbox"/> 6	<input type="checkbox"/> 6
Citizen of This State	PTF <input type="checkbox"/> 1	DEF <input type="checkbox"/> 1	Incorporated or Principal Place of Business in this State	PTF <input type="checkbox"/> 4	DEF <input type="checkbox"/> 4														
Citizen of Another State	<input type="checkbox"/> 2	<input type="checkbox"/> 2	Incorporated and Principal Place of Business in Another State	<input type="checkbox"/> 5	<input type="checkbox"/> 5														
Citizen or Subject of a Foreign Country	<input type="checkbox"/> 3	<input type="checkbox"/> 3	Foreign Nation	<input type="checkbox"/> 6	<input type="checkbox"/> 6														

IV. ORIGIN (Place an X in one box only.)

1 Original Proceeding 2 Removed from State Court 3 Remanded from Appellate Court 4 Reinstated or Reopened 5 Transferred from another district (specify): 6 Multi-District Litigation 7 Appeal to District Judge from Magistrate Judge

V. REQUESTED IN COMPLAINT: JURY DEMAND: Yes No (Check 'Yes' only if demanded in complaint.)

CLASS ACTION under F.R.C.P. 23: Yes No **MONEY DEMANDED IN COMPLAINT:** \$ Proof at Trial

VI. CAUSE OF ACTION (Cite the U.S. Civil Statute under which you are filing and write a brief statement of cause. Do not cite jurisdictional statutes unless diversity.)

Patent Infringement - 35 USC §§1 et seq.

VII. NATURE OF SUIT (Place an X in one box only.)

<p>OTHER STATUTES</p> <p><input type="checkbox"/> 400 State Reapportionment</p> <p><input type="checkbox"/> 410 Antitrust</p> <p><input type="checkbox"/> 430 Banks and Banking</p> <p><input type="checkbox"/> 450 Commerce/ICC Rates/etc.</p> <p><input type="checkbox"/> 460 Deportation</p> <p><input type="checkbox"/> 470 Racketeer Influenced and Corrupt Organizations</p> <p><input type="checkbox"/> 480 Consumer Credit</p> <p><input type="checkbox"/> 490 Cable/Sat TV</p> <p><input type="checkbox"/> 810 Selective Service</p> <p><input type="checkbox"/> 850 Securities/Commodities /Exchange</p> <p><input type="checkbox"/> 875 Customer Challenge 12 USC 3410</p> <p><input type="checkbox"/> 890 Other Statutory Actions</p> <p><input type="checkbox"/> 891 Agricultural Act</p> <p><input type="checkbox"/> 892 Economic Stabilization Act</p> <p><input type="checkbox"/> 893 Environmental Matters</p> <p><input type="checkbox"/> 894 Energy Allocation Act</p> <p><input type="checkbox"/> 895 Freedom of Info. Act</p> <p><input type="checkbox"/> 900 Appeal of Fee Determination Under Equal Access to Justice</p> <p><input type="checkbox"/> 950 Constitutionality of State Statutes</p>	<p>CONTRACT</p> <p><input type="checkbox"/> 110 Insurance</p> <p><input type="checkbox"/> 120 Marine</p> <p><input type="checkbox"/> 130 Miller Act</p> <p><input type="checkbox"/> 140 Negotiable Instrument</p> <p><input type="checkbox"/> 150 Recovery of Overpayment & Enforcement of Judgment</p> <p><input type="checkbox"/> 151 Medicare Act</p> <p><input type="checkbox"/> 152 Recovery of Defaulted Student Loan (Excl. Veterans)</p> <p><input type="checkbox"/> 153 Recovery of Overpayment of Veteran's Benefits</p> <p><input type="checkbox"/> 160 Stockholders' Suits</p> <p><input type="checkbox"/> 190 Other Contract</p> <p><input type="checkbox"/> 195 Contract Product Liability</p> <p><input type="checkbox"/> 196 Franchise</p> <p>REAL PROPERTY</p> <p><input type="checkbox"/> 210 Land Condemnation</p> <p><input type="checkbox"/> 220 Foreclosure</p> <p><input type="checkbox"/> 230 Rent Lease & Ejectment</p> <p><input type="checkbox"/> 240 Torts to Land</p> <p><input type="checkbox"/> 245 Tort Product Liability</p> <p><input type="checkbox"/> 290 All Other Real Property</p>	<p>TORTS</p> <p>PERSONAL INJURY</p> <p><input type="checkbox"/> 310 Airplane</p> <p><input type="checkbox"/> 315 Airplane Product Liability</p> <p><input type="checkbox"/> 320 Assault, Libel & Slander</p> <p><input type="checkbox"/> 330 Fed. Employers' Liability</p> <p><input type="checkbox"/> 340 Marine</p> <p><input type="checkbox"/> 345 Marine Product Liability</p> <p><input type="checkbox"/> 350 Motor Vehicle</p> <p><input type="checkbox"/> 355 Motor Vehicle Product Liability</p> <p><input type="checkbox"/> 360 Other Personal Injury</p> <p><input type="checkbox"/> 362 Personal Injury-Med Malpractice</p> <p><input type="checkbox"/> 365 Personal Injury-Product Liability</p> <p><input type="checkbox"/> 368 Asbestos Personal Injury Product Liability</p>	<p>TORTS</p> <p>PERSONAL PROPERTY</p> <p><input type="checkbox"/> 370 Other Fraud</p> <p><input type="checkbox"/> 371 Truth in Lending</p> <p><input type="checkbox"/> 380 Other Personal Property Damage</p> <p><input type="checkbox"/> 385 Property Damage Product Liability</p> <p>BANKRUPTCY</p> <p><input type="checkbox"/> 422 Appeal 28 USC 158</p> <p><input type="checkbox"/> 423 Withdrawal 28 USC 157</p> <p>CIVIL RIGHTS</p> <p><input type="checkbox"/> 441 Voting</p> <p><input type="checkbox"/> 442 Employment</p> <p><input type="checkbox"/> 443 Housing/Accommodations</p> <p><input type="checkbox"/> 444 Welfare</p> <p><input type="checkbox"/> 445 American with Disabilities - Employment</p> <p><input type="checkbox"/> 446 American with Disabilities - Other</p> <p><input type="checkbox"/> 440 Other Civil Rights</p>	<p>PRISONER PETITIONS</p> <p><input type="checkbox"/> 510 Motions to Vacate Sentence Habeas Corpus</p> <p><input type="checkbox"/> 530 General</p> <p><input type="checkbox"/> 535 Death Penalty</p> <p><input type="checkbox"/> 540 Mandamus/Other</p> <p><input type="checkbox"/> 550 Civil Rights</p> <p><input type="checkbox"/> 555 Prison Condition</p> <p>FORFEITURE / PENALTY</p> <p><input type="checkbox"/> 610 Agriculture</p> <p><input type="checkbox"/> 620 Other Food & Drug</p> <p><input type="checkbox"/> 625 Drug Related Seizure of Property 21 USC 881</p> <p><input type="checkbox"/> 630 Liquor Laws</p> <p><input type="checkbox"/> 640 R.R. & Truck</p> <p><input type="checkbox"/> 650 Airline Regs</p> <p><input type="checkbox"/> 660 Occupational Safety /Health</p> <p><input type="checkbox"/> 690 Other</p>	<p>LABOR</p> <p><input type="checkbox"/> 710 Fair Labor Standards Act</p> <p><input type="checkbox"/> 720 Labor/Mgmt. Relations</p> <p><input type="checkbox"/> 730 Labor/Mgmt. Reporting & Disclosure Act</p> <p><input type="checkbox"/> 740 Railway Labor Act</p> <p><input type="checkbox"/> 790 Other Labor Litigation</p> <p><input type="checkbox"/> 791 Empl. Ret. Inc. Security Act</p> <p>PROPERTY RIGHTS</p> <p><input type="checkbox"/> 820 Copyrights</p> <p><input checked="" type="checkbox"/> 830 Patent</p> <p><input type="checkbox"/> 840 Trademark</p> <p>SOCIAL SECURITY</p> <p><input type="checkbox"/> 861 HIA (1395ff)</p> <p><input type="checkbox"/> 862 Black Lung (923)</p> <p><input type="checkbox"/> 863 DIWC/DIWW (405(g))</p> <p><input type="checkbox"/> 864 SSID Title XVI</p> <p><input type="checkbox"/> 865 RSI (405(g))</p> <p>FEDERAL TAX SUITS</p> <p><input type="checkbox"/> 870 Taxes (U.S. Plaintiff or Defendant)</p> <p><input type="checkbox"/> 871 IRS-Third Party 26 USC 7609</p>
---	---	---	--	---	---

VIII(a). IDENTICAL CASES: Has this action been previously filed and dismissed, remanded or closed? No Yes

If yes, list case number(s): **ED CV 07 - 1618**

FOR OFFICE USE ONLY: Case Number: _____

DEC - 6 2007

UNITED STATES DISTRICT COURT, CENTRAL DISTRICT OF CALIFORNIA
CIVIL COVER SHEET

AFTER COMPLETING THE FRONT SIDE OF FORM CV-71, COMPLETE THE INFORMATION REQUESTED BELOW.

VIII(b). RELATED CASES: Have any cases been previously filed that are related to the present case? No Yes

If yes, list case number(s): _____

Civil cases are deemed related if a previously filed case and the present case:

- (Check all boxes that apply) A. Arise from the same or closely related transactions, happenings, or events; or
 B. Call for determination of the same or substantially related or similar questions of law and fact; or
 C. For other reasons would entail substantial duplication of labor if heard by different judges; or
 D. Involve the same patent, trademark or copyright, and one of the factors identified above in a, b or c also is present.

IX. VENUE: List the California County, or State if other than California, in which EACH named plaintiff resides (Use an additional sheet if necessary)

Check here if the U.S. government, its agencies or employees is a named plaintiff.

Sprite Industries, Inc. - Riverside County

David K. Farley - Riverside County

List the California County, or State if other than California, in which EACH named defendant resides. (Use an additional sheet if necessary).

Check here if the U.S. government, its agencies or employees is a named defendant.

Culligan International Company - Illinois

List the California County, or State if other than California, in which EACH claim arose. (Use an additional sheet if necessary)

Note: In land condemnation cases, use the location of the tract of land involved.

Riverside County and throughout the United States

X. SIGNATURE OF ATTORNEY (OR PRO PER):

D. D. Deura

Date

12/5/07

Notice to Counsel/Parties: The CV-71 (JS-44) Civil Cover Sheet and the information contained herein neither replace nor supplement the filing and service of pleadings or other papers as required by law. This form, approved by the Judicial Conference of the United States in September 1974, is required pursuant to Local Rule 3-1 is not filed but is used by the Clerk of the Court for the purpose of statistics, venue and initiating the civil docket sheet. (For more detailed instructions, see separate instructions sheet.)

Key to Statistical codes relating to Social Security Cases:

Nature of Suit Code	Abbreviation	Substantive Statement of Cause of Action
861	HIA	All claims for health insurance benefits (Medicare) under Title 18, Part A, of the Social Security Act, as amended. Also, include claims by hospitals, skilled nursing facilities, etc., for certification as providers of services under the program. (42 U.S.C. 1935FF(b))
862	BL	All claims for "Black Lung" benefits under Title 4, Part B, of the Federal Coal Mine Health and Safety Act of 1969. (30 U.S.C. 923)
863	DIWC	All claims filed by insured workers for disability insurance benefits under Title 2 of the Social Security Act, as amended; plus all claims filed for child's insurance benefits based on disability. (42 U.S.C. 405(g))
863	DIWW	All claims filed for widows or widowers insurance benefits based on disability under Title 2 of the Social Security Act, as amended. (42 U.S.C. 405(g))
864	SSID	All claims for supplemental security income payments based upon disability filed under Title 16 of the Social Security Act, as amended.
865	RSI	All claims for retirement (old age) and survivors benefits under Title 2 of the Social Security Act, as amended. (42 U.S.C. (g))