

ORIGINAL

RECEIVED
OFFICE OF THE CLERK
U.S. DISTRICT COURT
LAS VEGAS, NEVADA
2004 OCT -5 A 9:03
WZ SECURITY

1 J. Colby Williams (NV Bar No. 5549)
2 CAMPBELL & WILLIAMS
3 700 South Seventh Street
4 Las Vegas, Nevada 89101
5 Telephone: (702) 382-5222
6 Facsimile: (702) 382-0540
7
8 Eric R. Lamison
9 KIRKLAND & ELLIS LLP
10 333 Bush Street, 26th Floor
11 San Francisco, California 94104
12 Telephone: (415) 439-1400
13 Facsimile: (415) 439-1500
14
15 Barry F. Irwin
16 KIRKLAND & ELLIS LLP
17 200 East Randolph Drive
18 Chicago, Illinois 60601
19 Telephone: (312) 861-2000
20 Facsimile: (312) 861-2200
21
22 Attorneys for Plaintiff
23 SHUFFLE MASTER, INC.

UNITED STATES DISTRICT COURT

DISTRICT

CV-S-04-1373-JCM-LRL

SHUFFLE MASTER, INC.,
A Minnesota Corporation

Plaintiff,

v.

VENDINGDATA CORPORATION,
A Nevada Corporation

Defendant.

**PLAINTIFF SHUFFLE MASTER, INC.'S
COMPLAINT FOR PATENT
INFRINGEMENT**

DEMAND FOR JURY TRIAL

24
25
26
27
28

1

1 Plaintiff Shuffle Master, Inc. ("Shuffle Master"), by its attorneys, for its complaint against
2 VendingData Corporation ("VendingData") demands a jury trial and alleges as follows:

3 **JURISDICTION AND VENUE**

4 1. This is an action for patent infringement arising under the patent laws of the United
5 States, 35 U.S.C. § 1 *et seq.*, with respect to VendingData's PokerOne shuffler.

6 2. Plaintiff Shuffle Master, Inc. is a corporation organized under the laws of the State of
7 Minnesota, having a principal place of business at 1106 Palms Airport Drive, Las Vegas, Nevada
8 89119.

9 3. Upon information and belief, defendant VendingData is a corporation organized
10 under the laws of the State of Nevada, having a principal place of business at 6830 Spencer Street,
11 Las Vegas, Nevada 89119.

12 4. This Court has subject matter jurisdiction over Shuffle Master's Complaint for patent
13 infringement in accordance with 28 U.S.C. §§ 1331 and 1338(a).

14 5. VendingData has sufficient contacts with this District to subject it to the personal
15 jurisdiction of the Court for this Complaint.

16 6. Further, VendingData has used or offered for sale within this district, and/or imported
17 into this district, the PokerOne shuffler, providing this Court with specific jurisdiction over this
18 Complaint.

19 7. Venue in this District is proper under 28 U.S.C. §§ 1391 and 1400(b) because
20 VendingData is a corporation subject to personal jurisdiction in this District. In addition, venue is
21 proper because VendingData has a regular and established place of business within this district and it
22 has used or offered for sale within this district, and/or imported into this district, the PokerOne
23 shuffler.

24 **COUNT I**

25 **Infringement of U.S. Patent No. 6,655,684**

26 8. Shuffle Master repeats and realleges the allegations in paragraphs 1-7 as if fully set
27 forth herein.
28

1 selling within the United States, or importing into the United States, the infringing PokerOne
2 shuffler or from otherwise infringing, directly or indirectly, the '684 patent through actions relating
3 to the PokerOne shuffler, in accordance with 35 U.S.C. § 283;

4 C. For an accounting of damages by virtue of VendingData's infringement of the '684
5 patent;

6 D. For an award of damages compensating Shuffle Master for VendingData's
7 infringement of the '684 patent, in accordance with 35 U.S.C. § 284;

8 E. That VendingData's infringement be adjudged as willful, and for an award of treble
9 damages for VendingData's willful infringement pursuant to 35 U.S.C. § 284;

10 E. For an assessment of pre-judgment and post-judgment interest and costs against
11 VendingData, together with an award of such interests and costs, in accordance with 35 U.S.C. §
12 284;

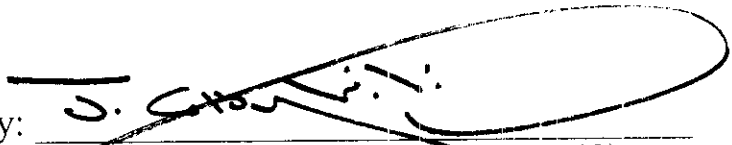
13 F. That the case be adjudged exceptional and for an award to Shuffle Master of its
14 reasonable costs and attorneys' fees in accordance with 35 U.S.C. § 285; and

15 G. That Shuffle Master shall have such other and further relief as this Court shall deem
16 appropriate.

17 **DEMAND FOR JURY TRIAL**

18 In accordance with Rule 38 of the Federal Rules of Civil Procedure, Shuffle Master demands
19 a jury trial of all issues triable to a jury in this action.
20
21
22
23
24
25
26
27
28

1 Dated: October 5th, 2004

2
3 By: 

4 J. Colby Williams (NV Bar No. 5549)
5 CAMPBELL & WILLIAMS
6 700 South Seventh Street
7 Las Vegas, Nevada 89101
8 Telephone: (702) 382-5222
9 Facsimile: (702) 382-0540

10 Eric R. Lamison
11 KIRKLAND & ELLIS LLP
12 333 Bush Street, 26th Floor
13 San Francisco, California 94104
14 Telephone: (415) 439-1400
15 Facsimile: (415) 439-1500

16 Barry F. Irwin
17 KIRKLAND & ELLIS LLP
18 200 East Randolph Drive
19 Chicago, Illinois 60601
20 Telephone: (312) 861-2000
21 Facsimile: (312) 861-2200

22 Attorneys for Plaintiff
23 SHUFFLE MASTER, INC.
24
25
26
27
28



US006655684B2

(12) **United States Patent**
Grauzer et al.

(10) **Patent No.:** US 6,655,684 B2
(45) **Date of Patent:** *Dec. 2, 2003

(54) **DEVICE AND METHOD FOR FORMING AND DELIVERING HANDS FROM RANDOMLY ARRANGED DECKS OF PLAYING CARDS**

(75) **Inventors:** Attila Grauzer, Las Vegas, NV (US); Feraidoon Bourbour, Minneapolis, MN (US); Troy D. Nelson, Big Lake, MN (US); Robert J. Rynda, Las Vegas, NV (US); Paul K. Scheper, Eden Prairie, MN (US); James Bernard Stasson, Chanhassen, MN (US); Ronald R. Swanson, Watertown, MN (US)

(73) **Assignee:** Shuffle Master, Inc., Eden Prairie, MN (US)

(*) **Notice:** Subject to any disclaimer, the term of this patent is extended or adjusted under 35 U.S.C. 154(b) by 128 days.

This patent is subject to a terminal disclaimer.

(21) **Appl. No.:** 09/912,879

(22) **Filed:** Jul. 25, 2001

(65) **Prior Publication Data**

US 2003/0042673 A1 Mar. 6, 2003

Related U.S. Application Data

(63) Continuation-in-part of application No. 09/688,597, filed on Oct. 16, 2000, now Pat. No. 6,588,750, which is a continuation-in-part of application No. 09/060,627, filed on Apr. 15, 1998, now Pat. No. 6,149,154.

(51) **Int. Cl.⁷** A63F 1/12

(52) **U.S. Cl.** 273/149 R; 273/149 P

(58) **Field of Search** 273/149 R, 149 P; 463/22

(56) **References Cited**

U.S. PATENT DOCUMENTS

793,489 A 6/1905 Williams
2,001,220 A 5/1935 Smith

(List continued on next page.)

FOREIGN PATENT DOCUMENTS

WO 9840136 9/1998

OTHER PUBLICATIONS

Encyclopedia of Games by John Scarne, 1973, "Super Contract Bridge", p. 153.

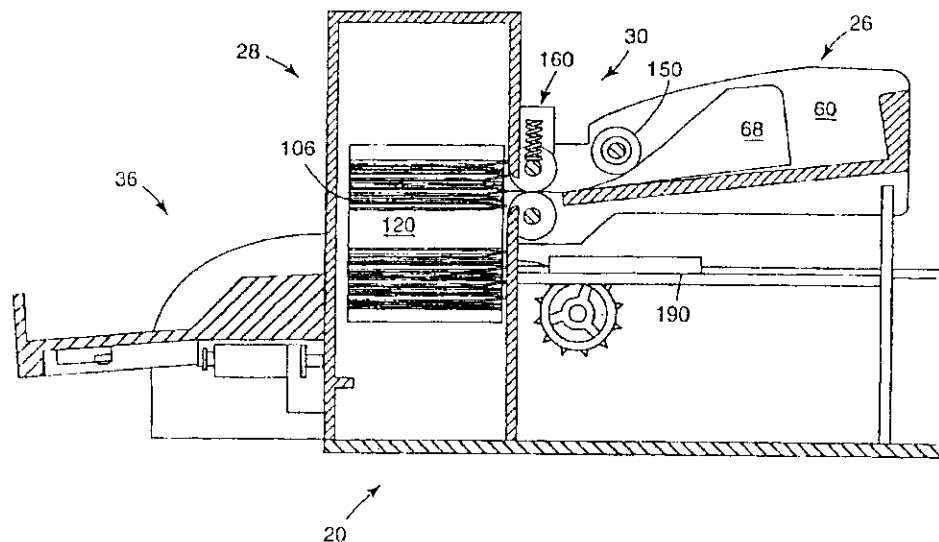
Primary Examiner—Benjamin H. Layno

(74) *Attorney, Agent, or Firm*—Mark A. Litman & Assoc. P.A.

(57) **ABSTRACT**

The present invention provides an apparatus and method for moving playing cards from a first group of cards into plural hands of cards, wherein each of the hands contains a random arrangement of cards. The apparatus comprises a card receiver for receiving the first group of cards, a single stack of card-receiving compartments generally adjacent to the card receiver, the stack generally vertically movable, an elevator for moving the stack, a card-moving mechanism between the card receiver and the stack, and a microprocessor that controls the card-moving mechanism and the elevator so that an individual card is moved into an identified compartment. The number of compartments receiving cards and the number of cards moved to each compartment may be selected. An apparatus for feeding cards, comprising a surface for supporting a stack of cards, a feed roller with a frictional outer surface, a drive mechanism for causing rotation of the feed roller, a pair of speed-up rollers to advance the cards out of the feed roller, and a clutch mechanism for disengaging the feed roller from the drive mechanism as the card comes into contact with the speed up rollers.

43 Claims, 18 Drawing Sheets



US 6,655,684 B2

Page 2

U.S. PATENT DOCUMENTS

			4,832,342 A	5/1989	Plevyak et al.	
			4,900,009 A	2/1990	Kitahara et al.	
			4,969,648 A	11/1990	Hollinger et al.	
			5,000,453 A	3/1991	Stevens et al.	
			5,121,921 A	6/1992	Friedman et al.	
			5,240,140 A	8/1993	Huen	
			5,275,411 A	1/1994	Breeding	
			5,288,081 A	2/1994	Breeding	
			5,303,921 A	4/1994	Breeding	
			5,356,145 A	10/1994	Verschoor	
			5,382,024 A	1/1995	Blaha	
			5,382,025 A	1/1995	Sklansky et al.	
			5,390,910 A	2/1995	Mandel et al.	
			5,431,399 A	7/1995	Kelley	
			5,437,462 A	8/1995	Breeding	
			5,584,483 A	12/1996	Sines et al.	
			5,676,372 A	10/1997	Sines et al.	
			5,683,085 A	11/1997	Johnson	
			5,690,324 A	11/1997	Otomo et al.	
			5,695,189 A	12/1997	Breeding et al.	
			5,718,427 A	2/1998	Cranford et al.	273/149
			5,989,122 A	11/1999	Roblejo	
			6,068,258 A	5/2000	Breeding et al.	
			6,149,154 A *	11/2000	Grauzer et al.	273/149 R
2,001,918 A	5/1935	Nevius				
2,016,030 A	10/1935	Woodruff et al.				
2,043,343 A	6/1936	Warner				
2,778,644 A	1/1957	Stephenson				
2,937,739 A	5/1960	Levy				
2,950,005 A	8/1960	MacDonald				
3,312,473 A	4/1967	Friedman				
3,590,670 A	9/1972	Cassady et al.				
3,897,954 A	8/1975	Erickson et al.				
4,232,861 A	11/1980	Maul				
4,361,393 A	11/1982	Noto				
4,368,972 A	1/1983	Naramore				
4,385,827 A	5/1983	Naramore				
4,497,488 A	2/1985	Plevyak et al.				
4,513,969 A	4/1985	Samsel, Jr.				
4,515,367 A	5/1985	Howard				
4,566,782 A	1/1986	Britt et al.				
4,586,712 A	5/1986	Lorber et al.				
4,659,082 A	4/1987	Greenberg				
4,667,959 A	5/1987	Pfeiffer et al.				
4,741,524 A	5/1988	Bromage				
4,750,743 A	6/1988	Nicoletti				
4,770,421 A	9/1988	Hoffman				
4,807,884 A	2/1989	Breeding				
4,822,050 A	4/1989	Normand et al.				

* cited by examiner

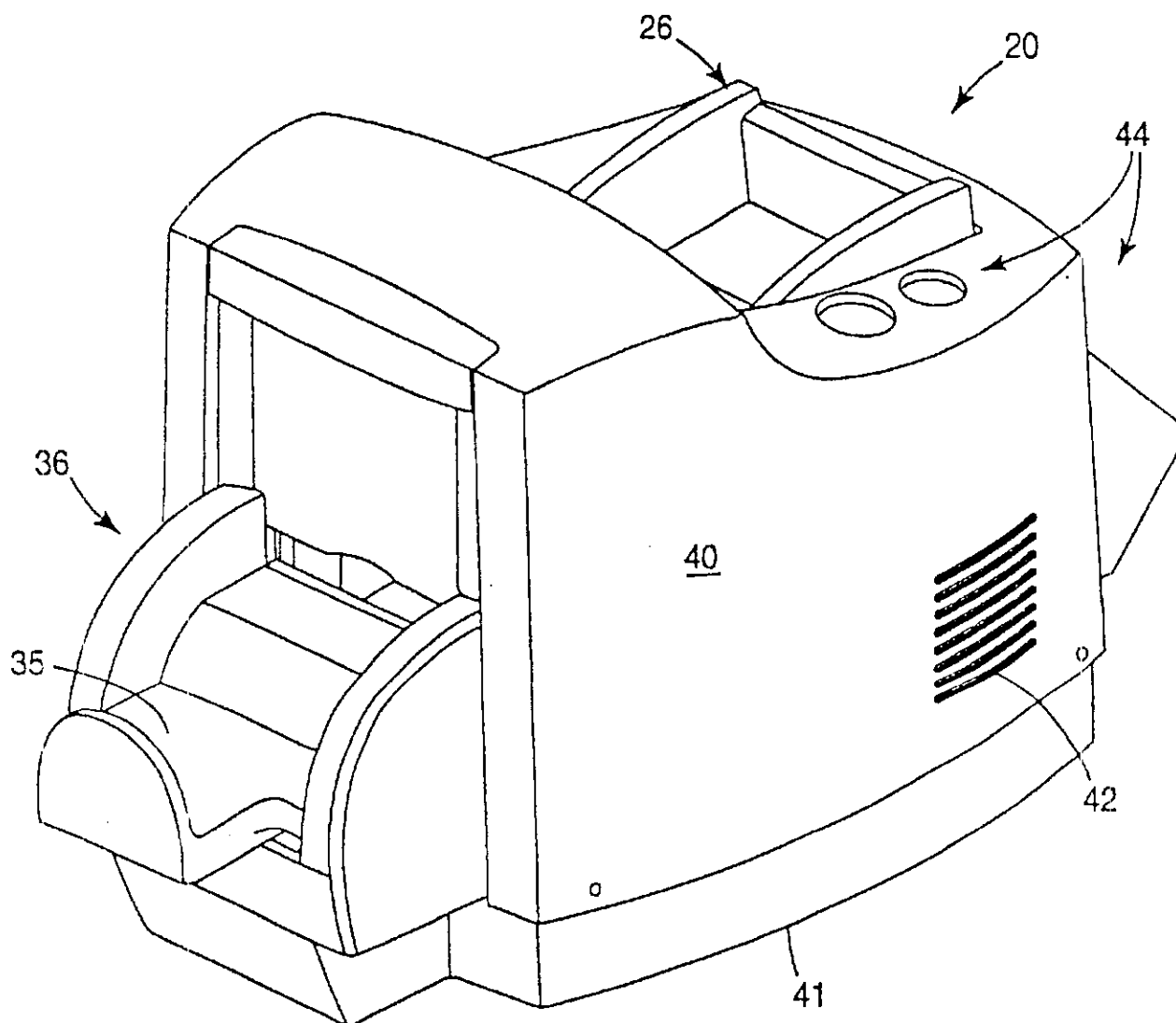
U.S. Patent

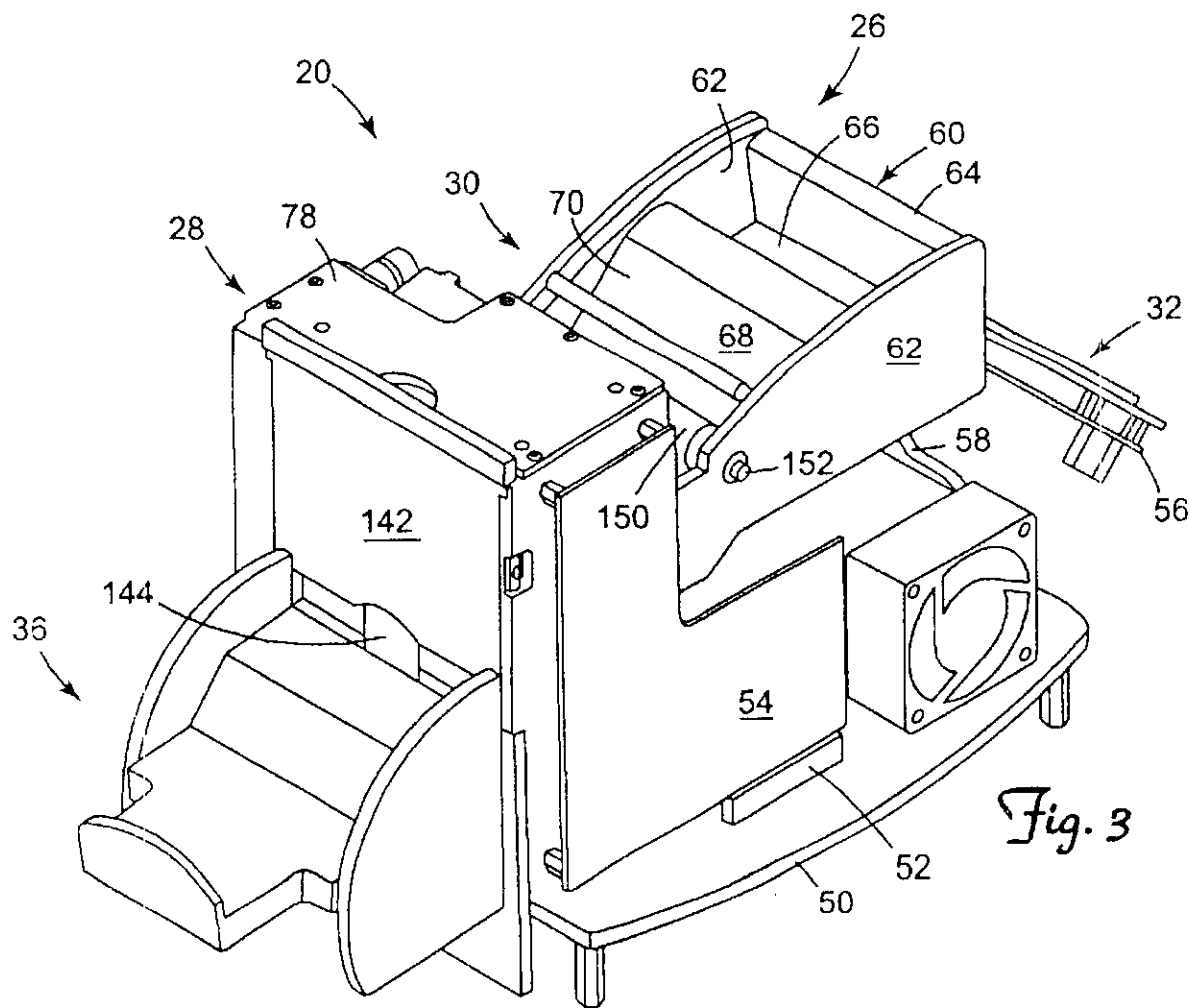
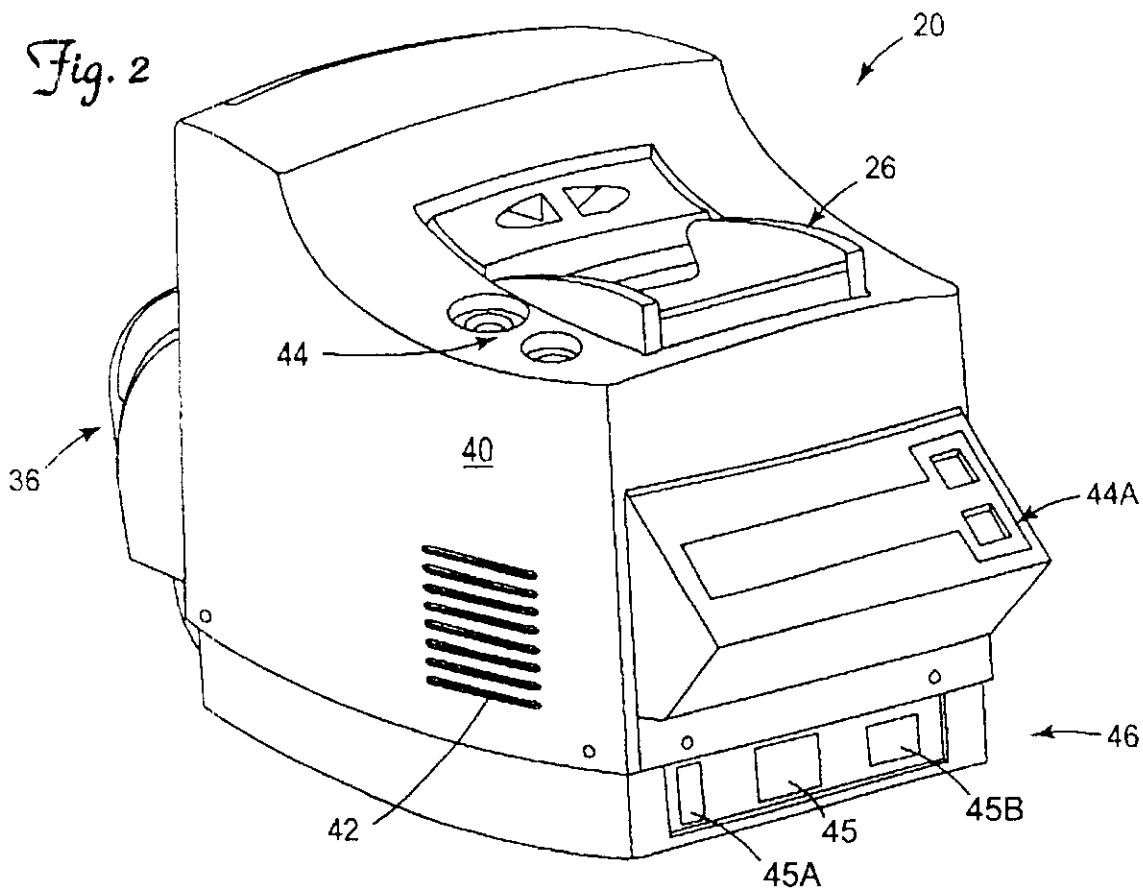
Dec. 2, 2003

Sheet 1 of 18

US 6,655,684 B2

Fig. 1





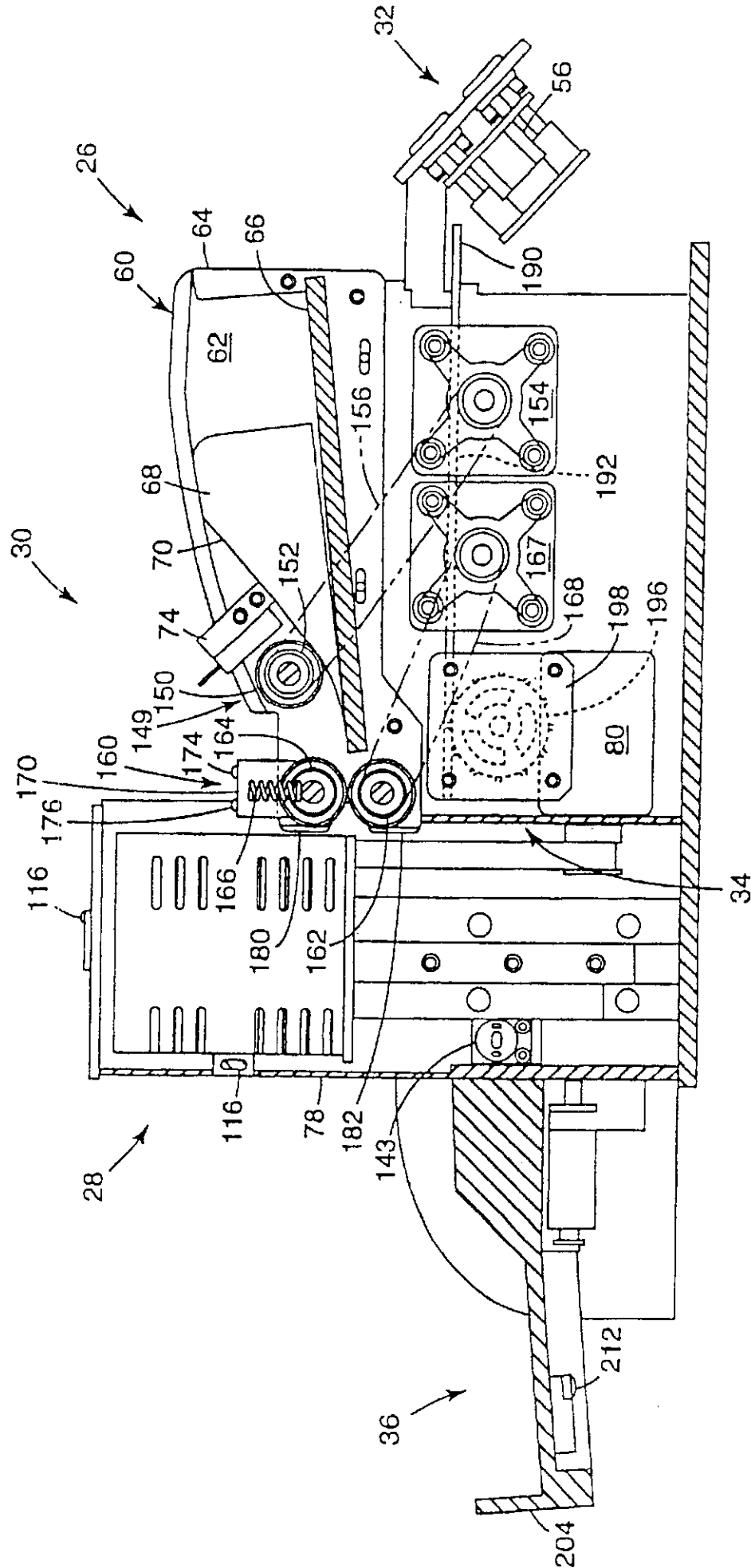


Fig. 4

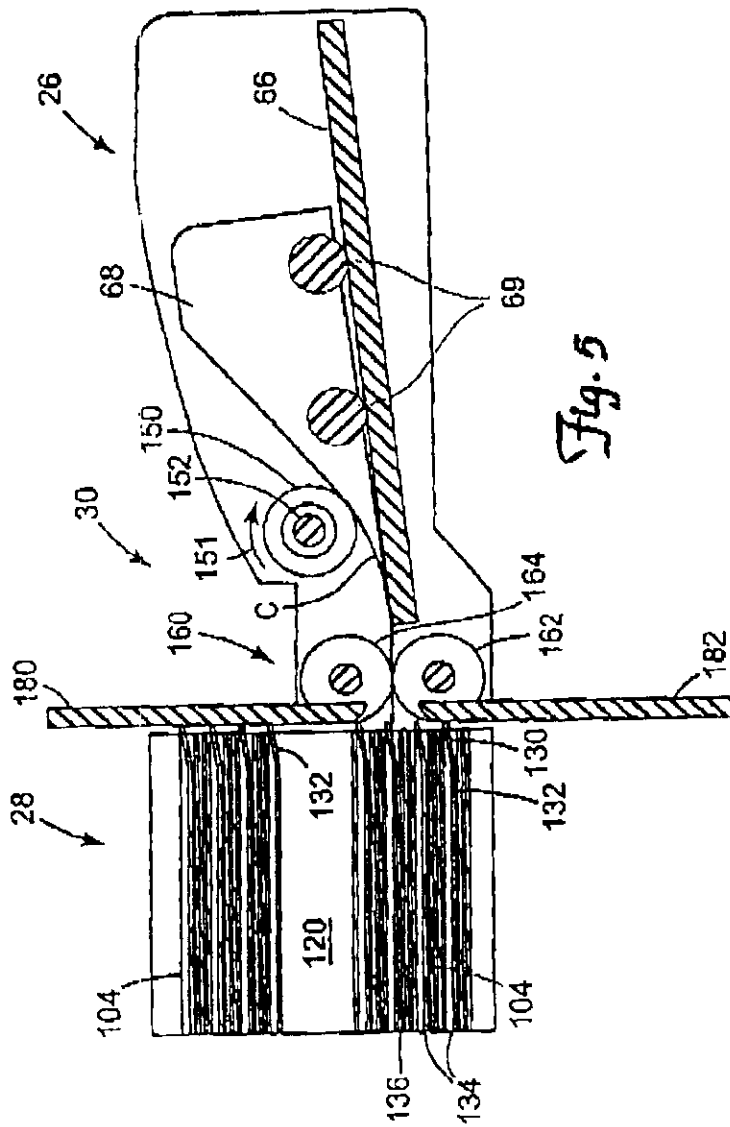


Fig. 5

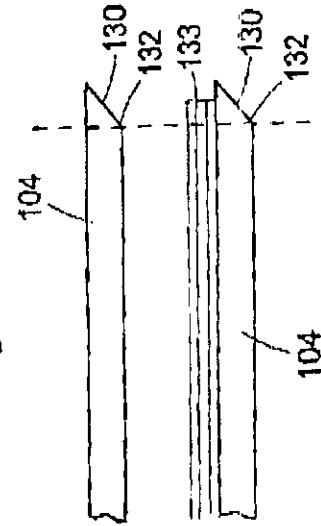


Fig. 5B

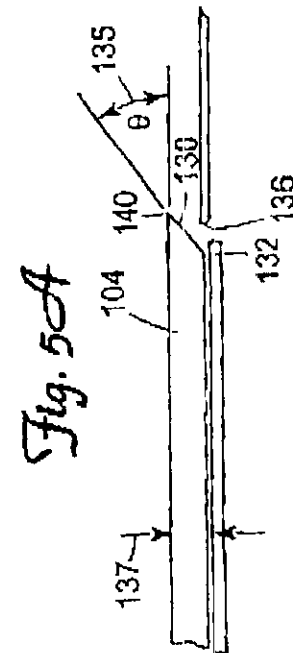


Fig. 5A

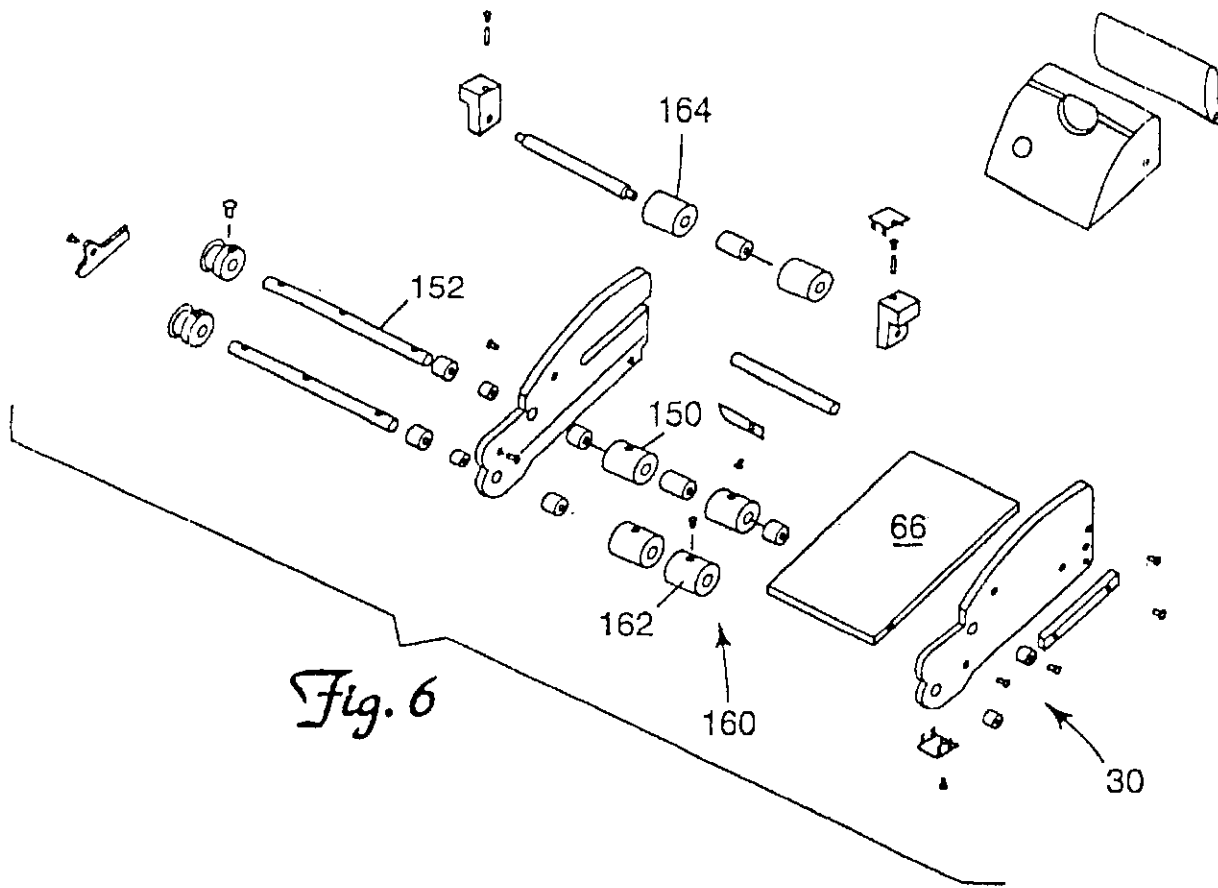
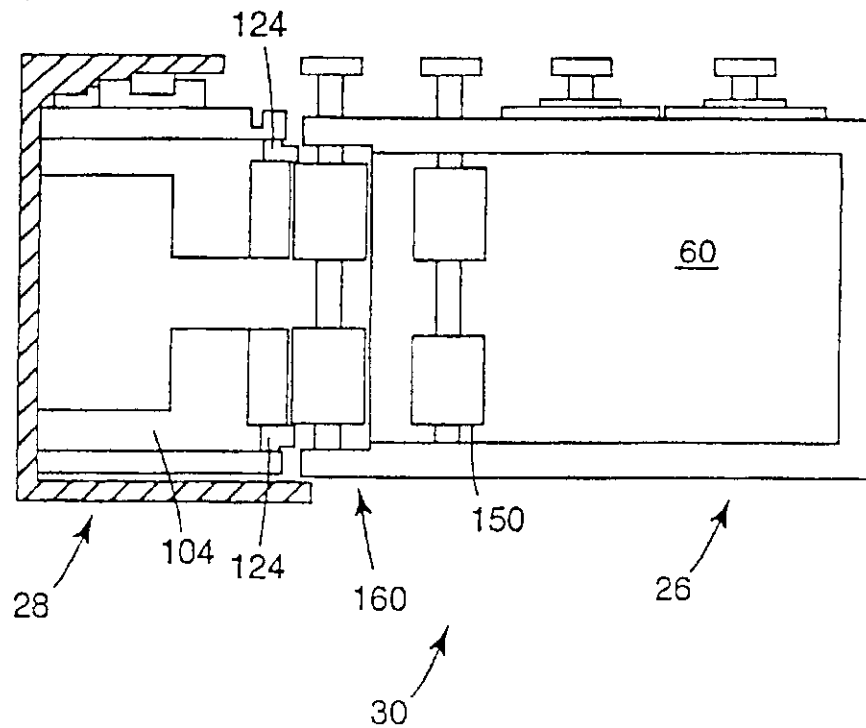
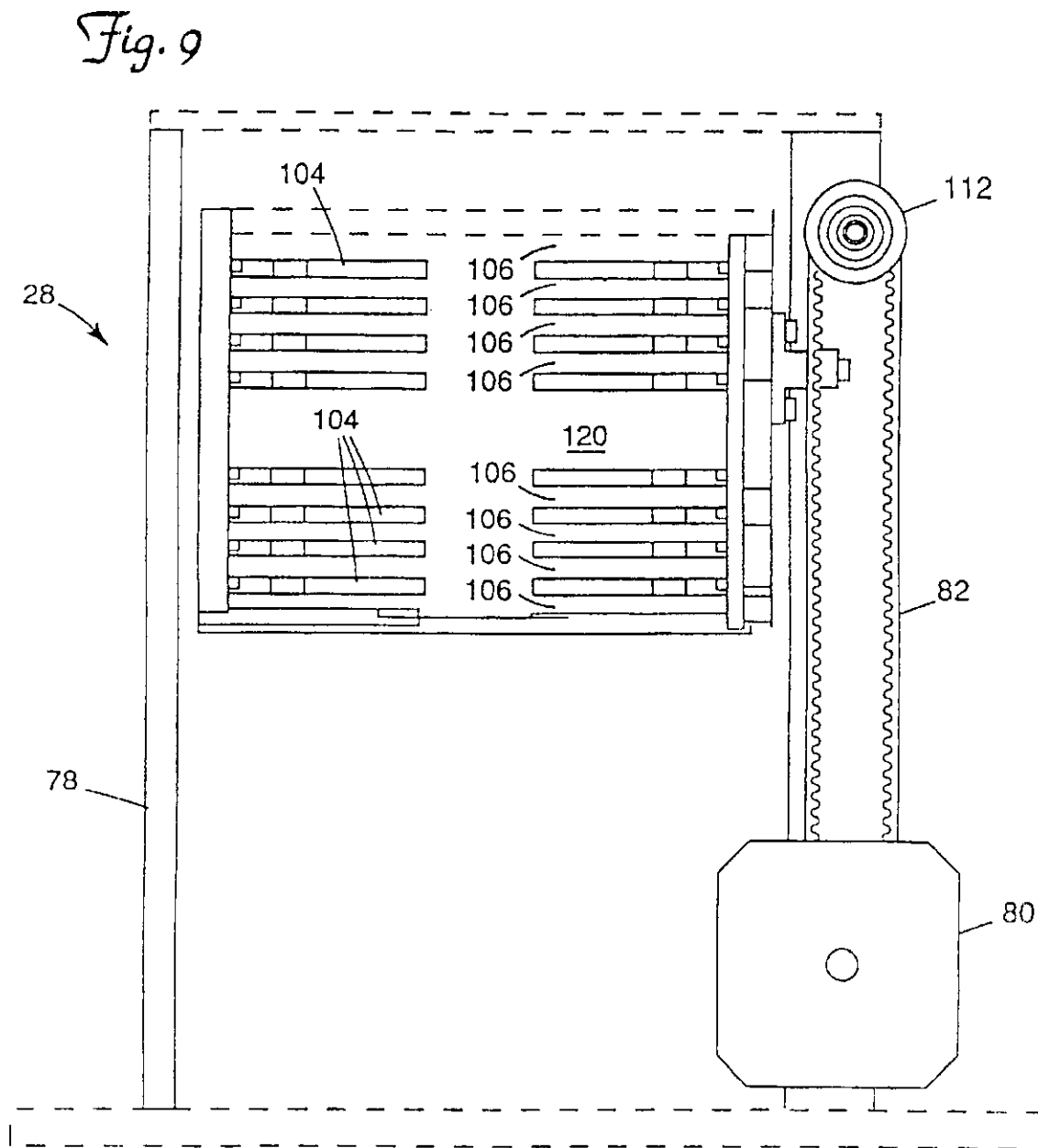
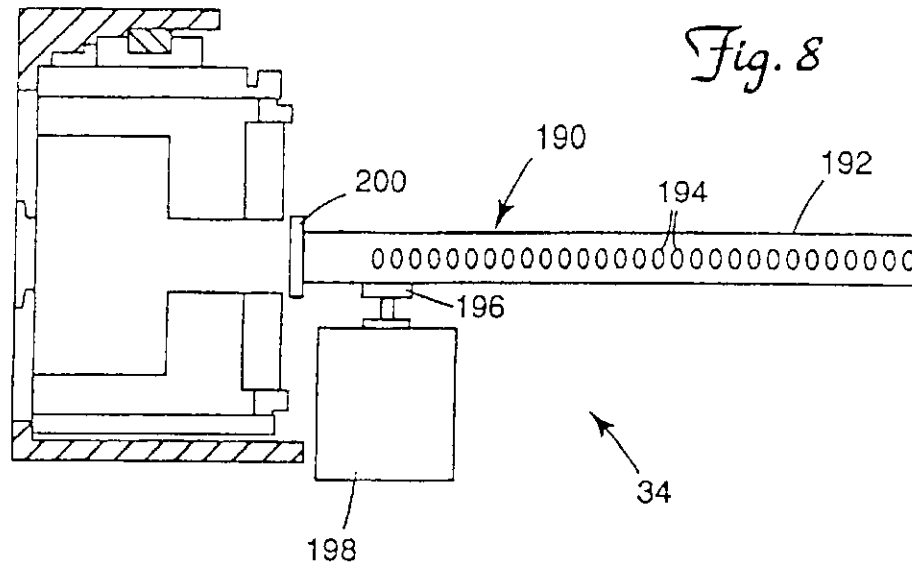


Fig. 7





U.S. Patent

Dec. 2, 2003

Sheet 7 of 18

US 6,655,684 B2

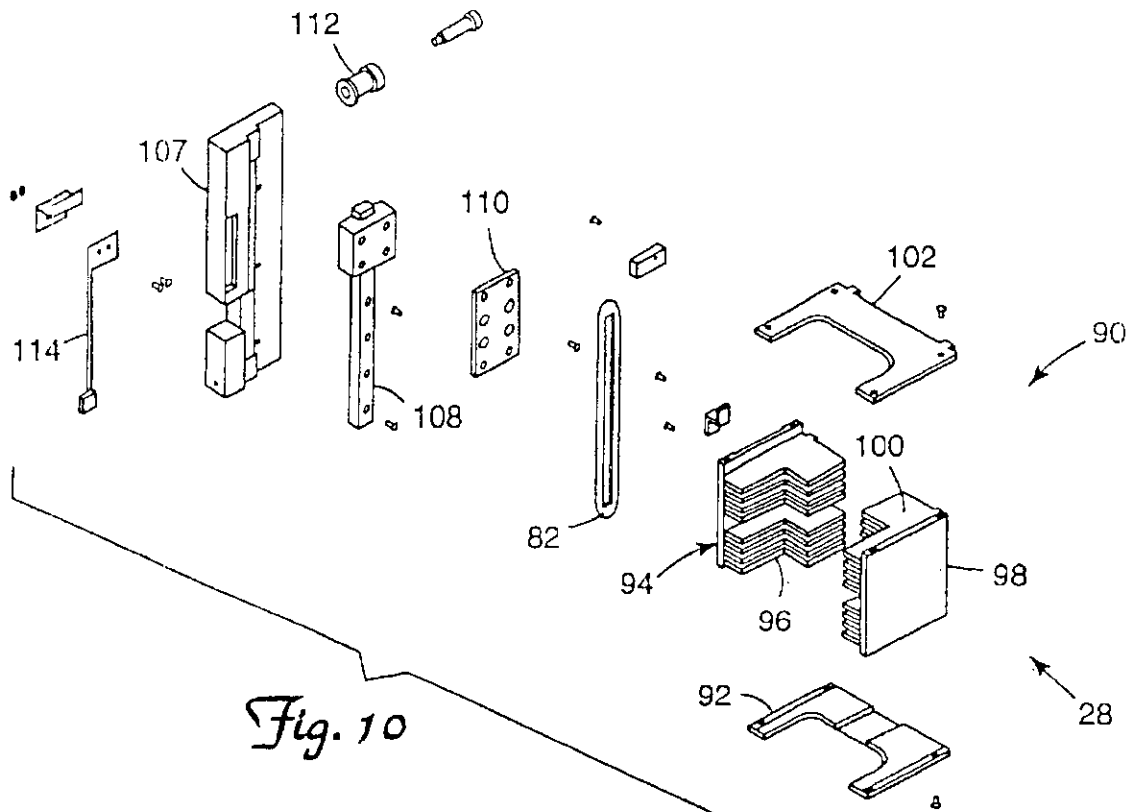


Fig. 10

Fig. 12

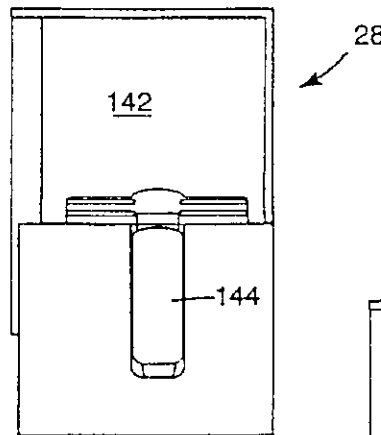


Fig. 11

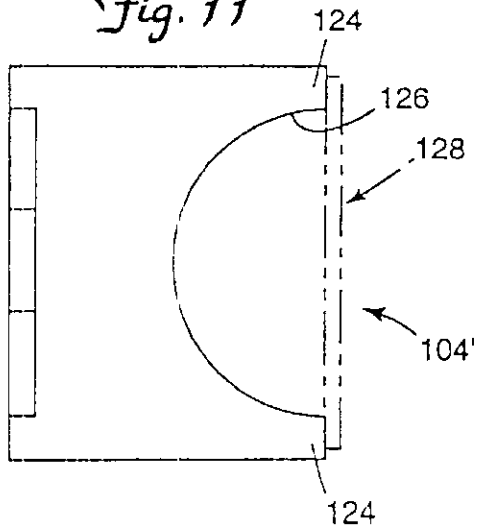
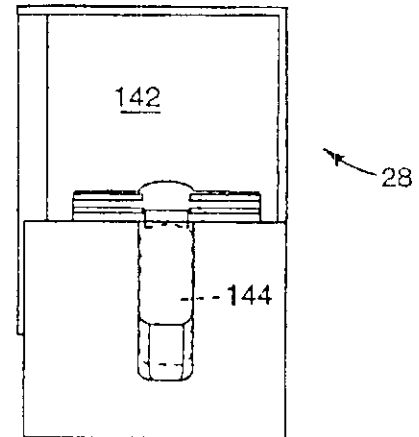


Fig. 13



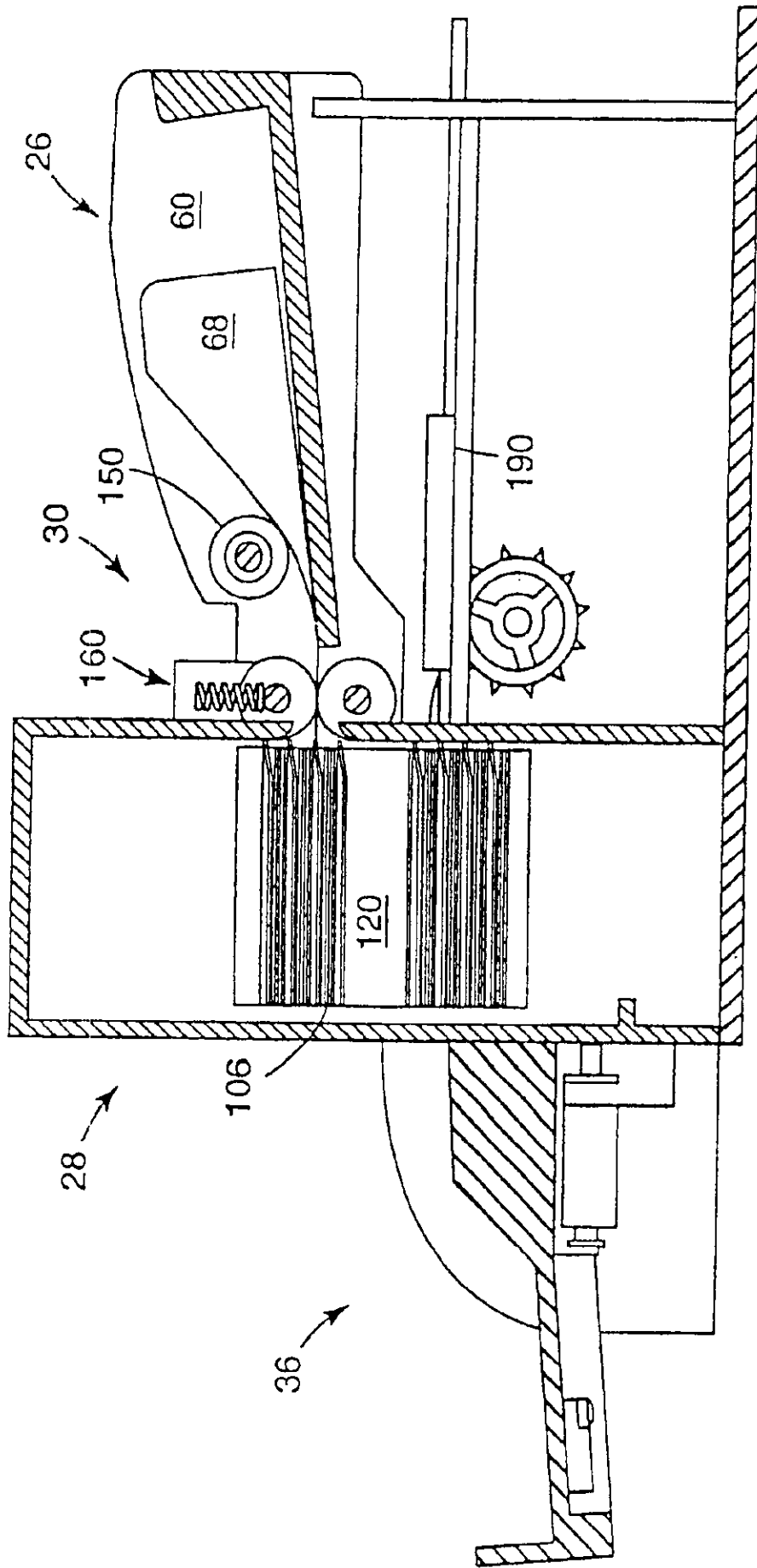


Fig. 14

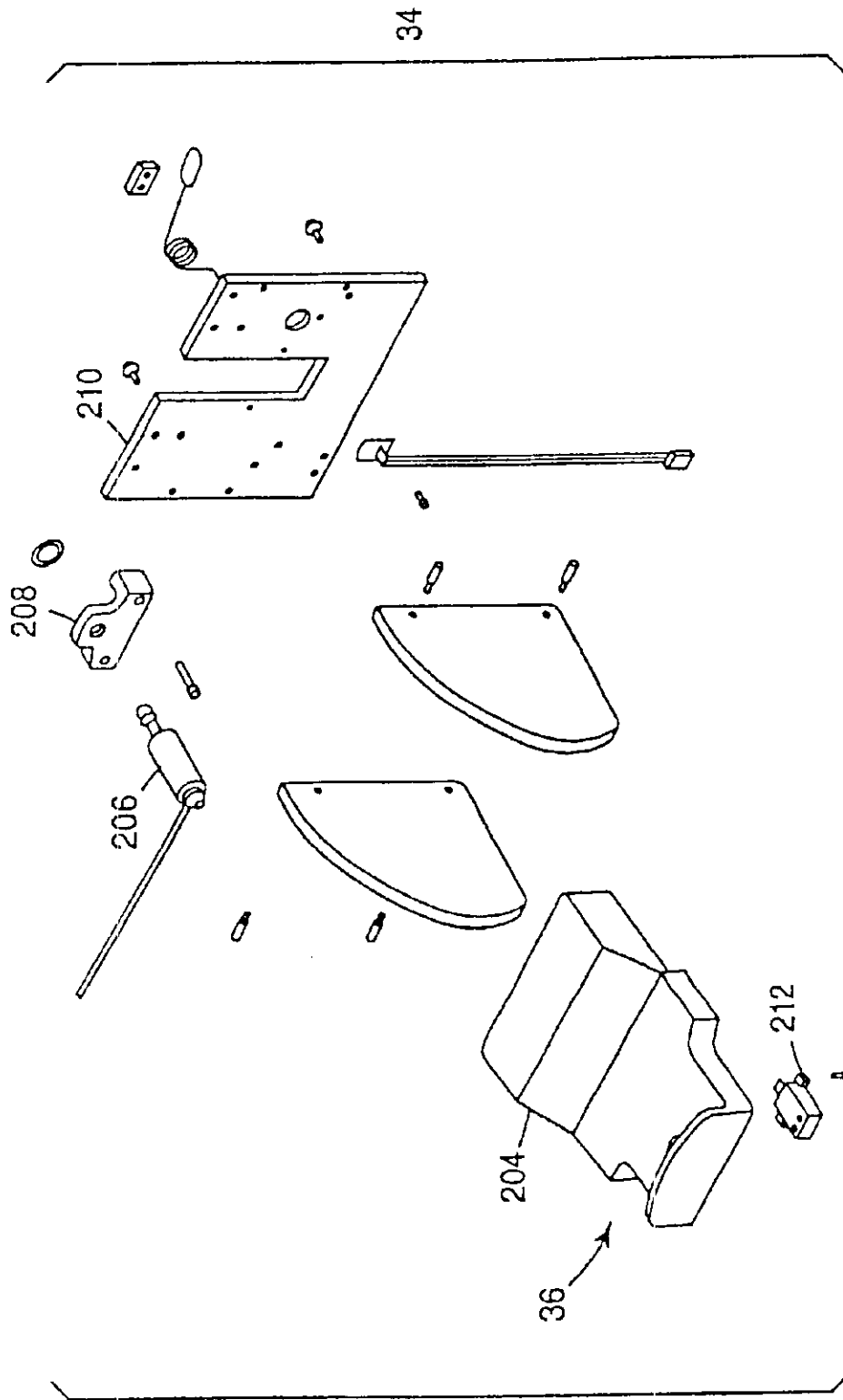


Fig. 15

Fig. 16

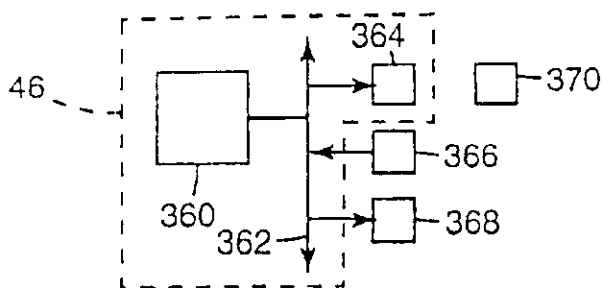


Fig. 17

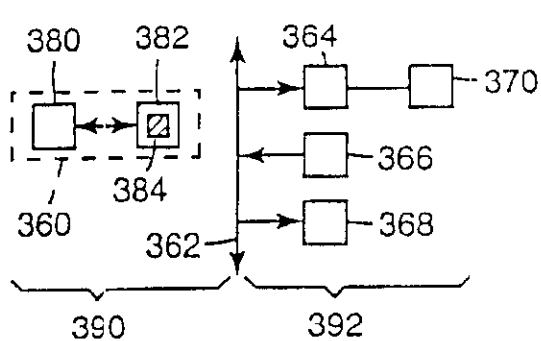


Fig. 18

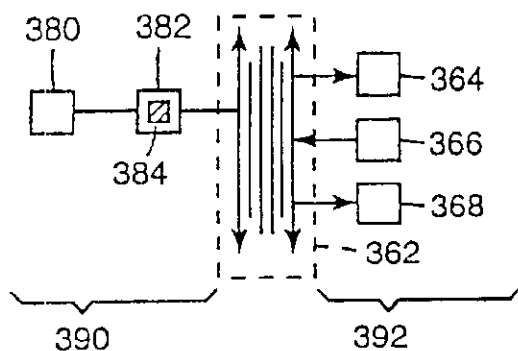
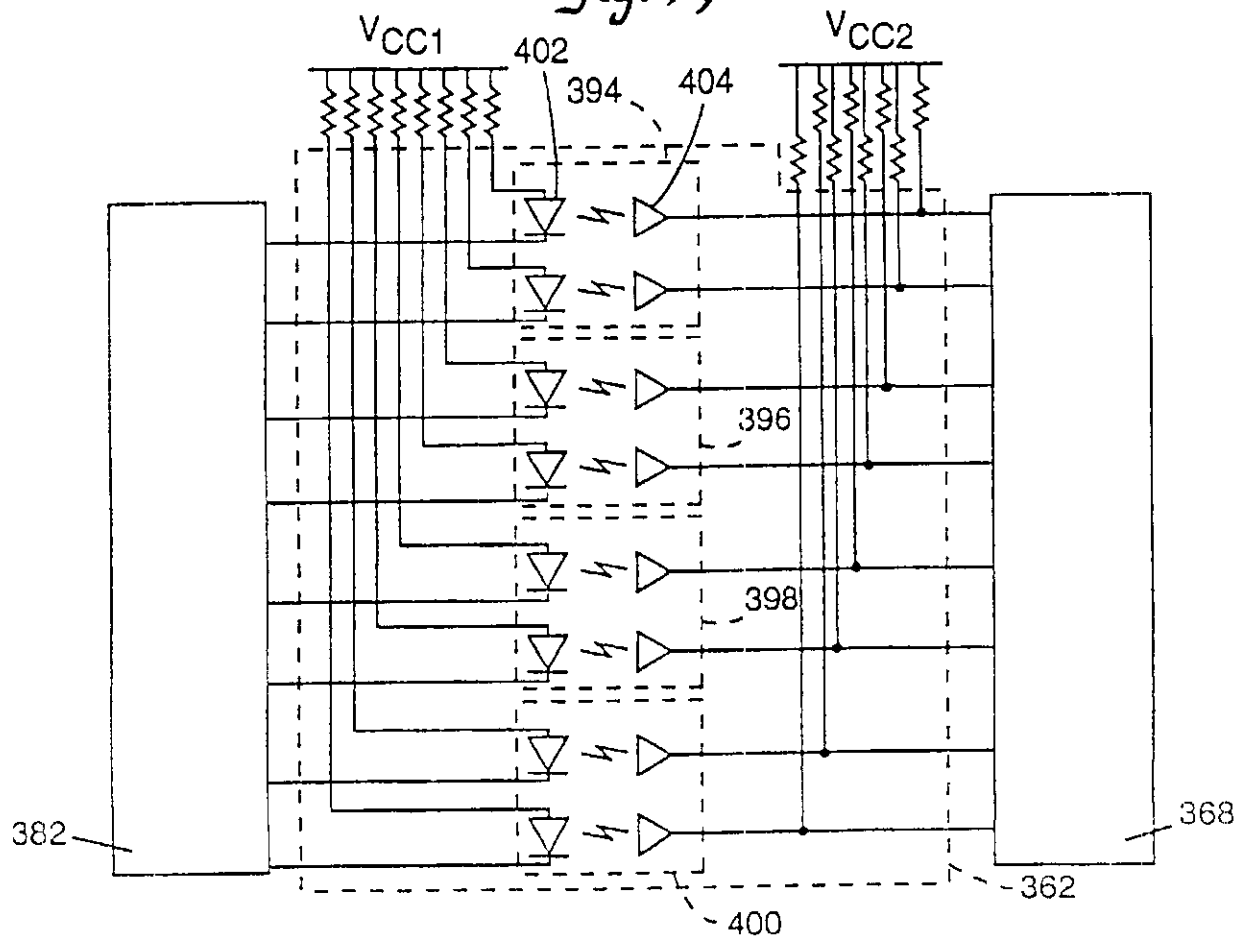


Fig. 19



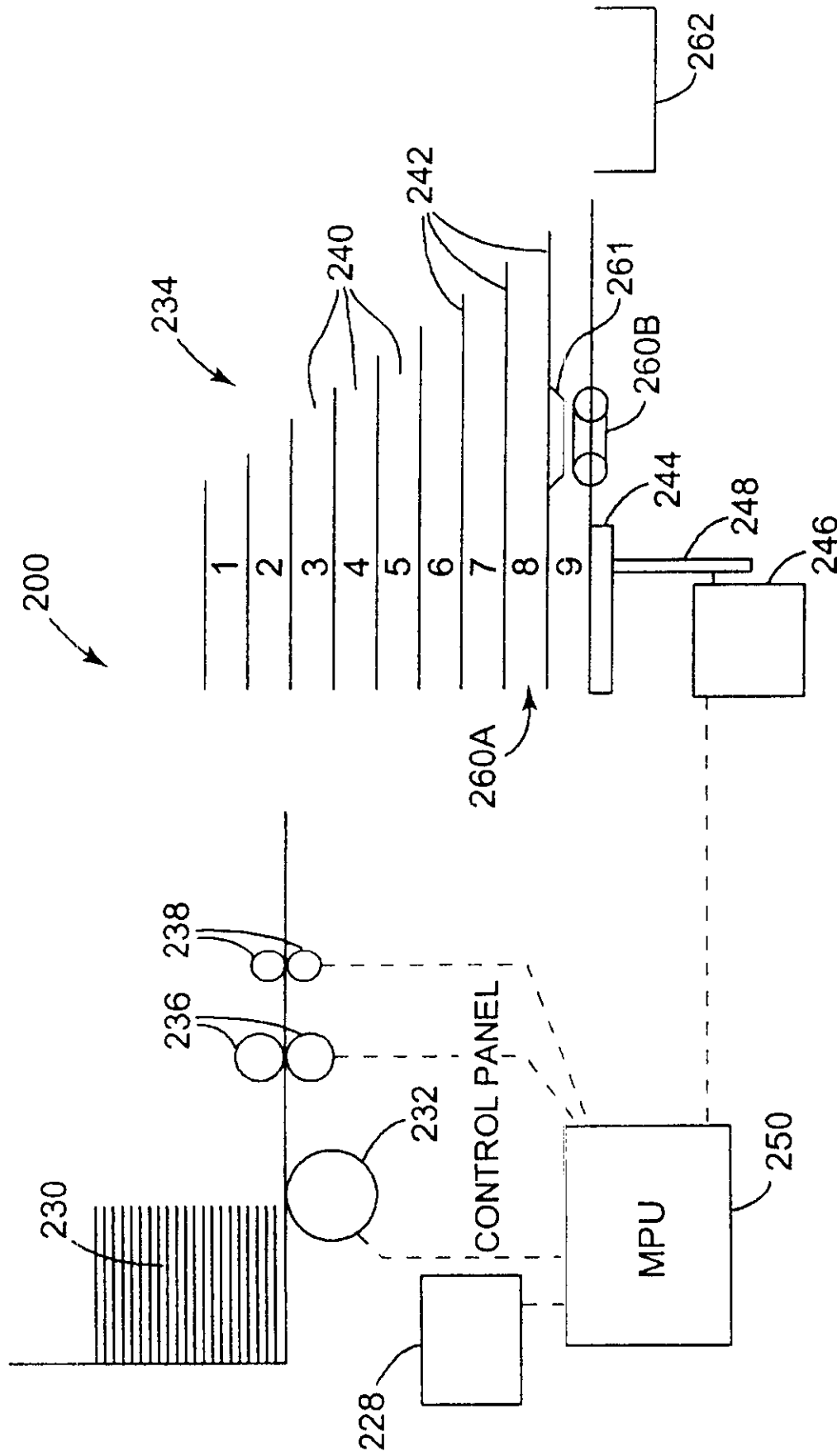


Fig. 20

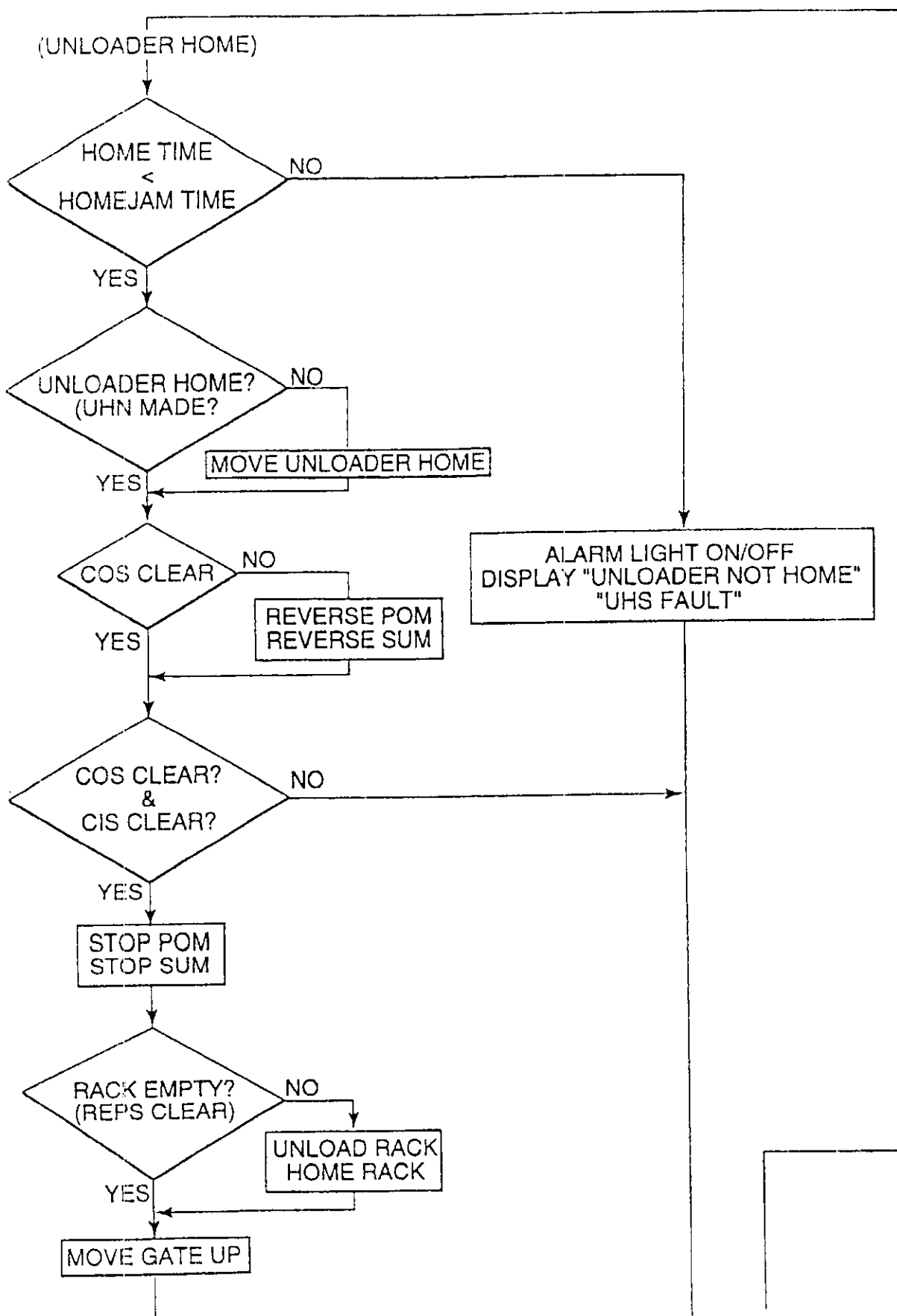


Fig. 21a

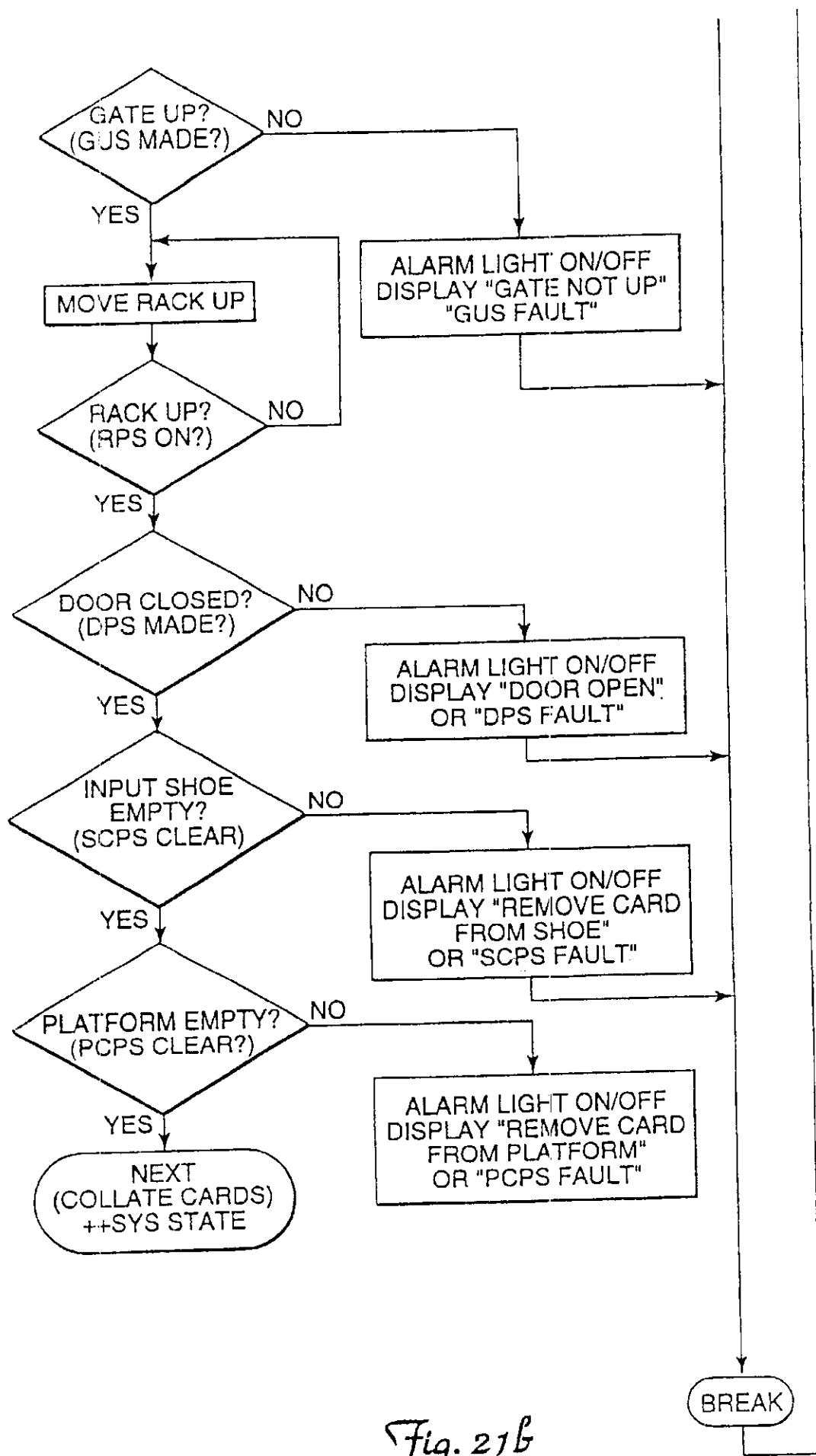


Fig. 21b

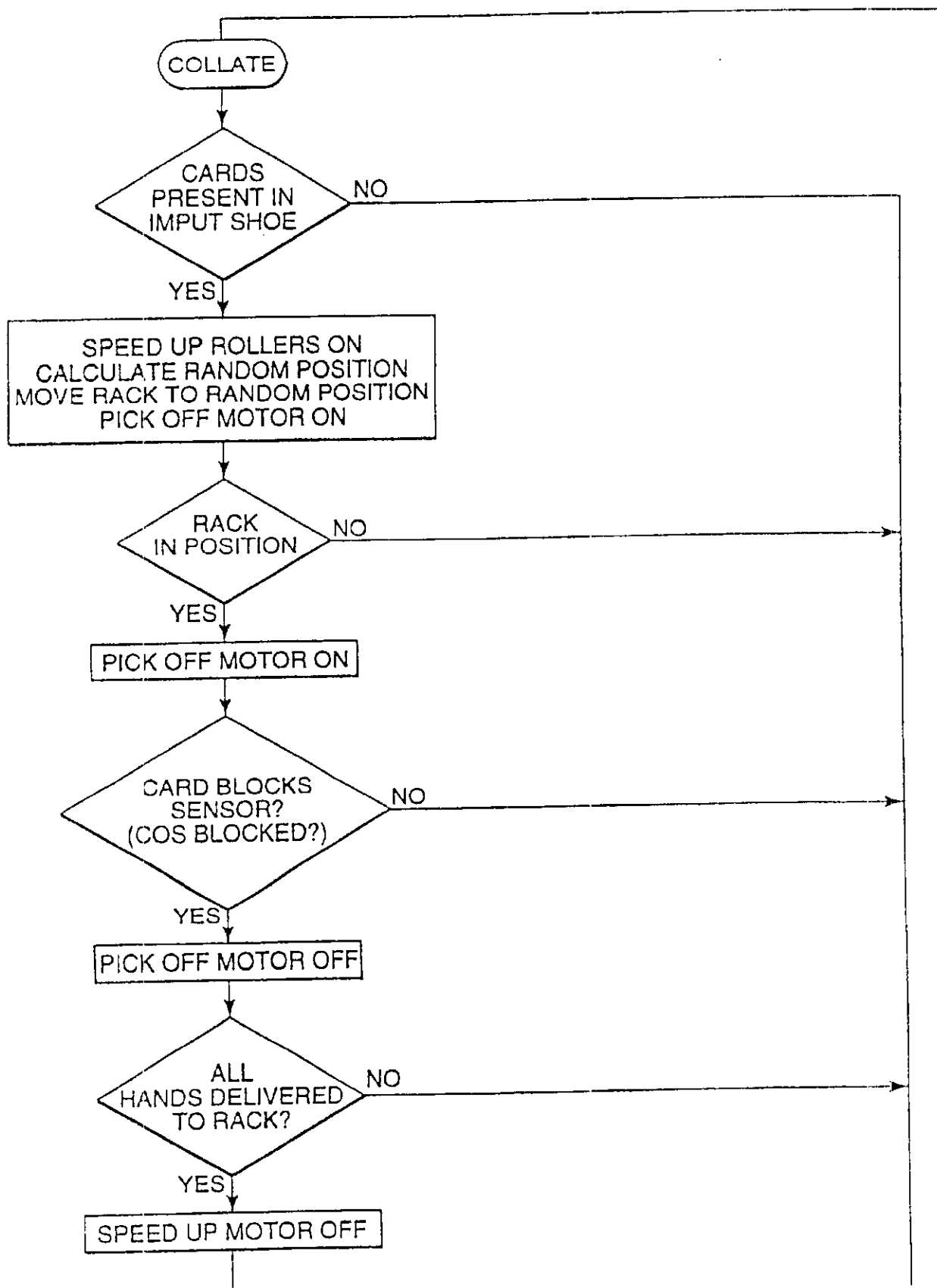
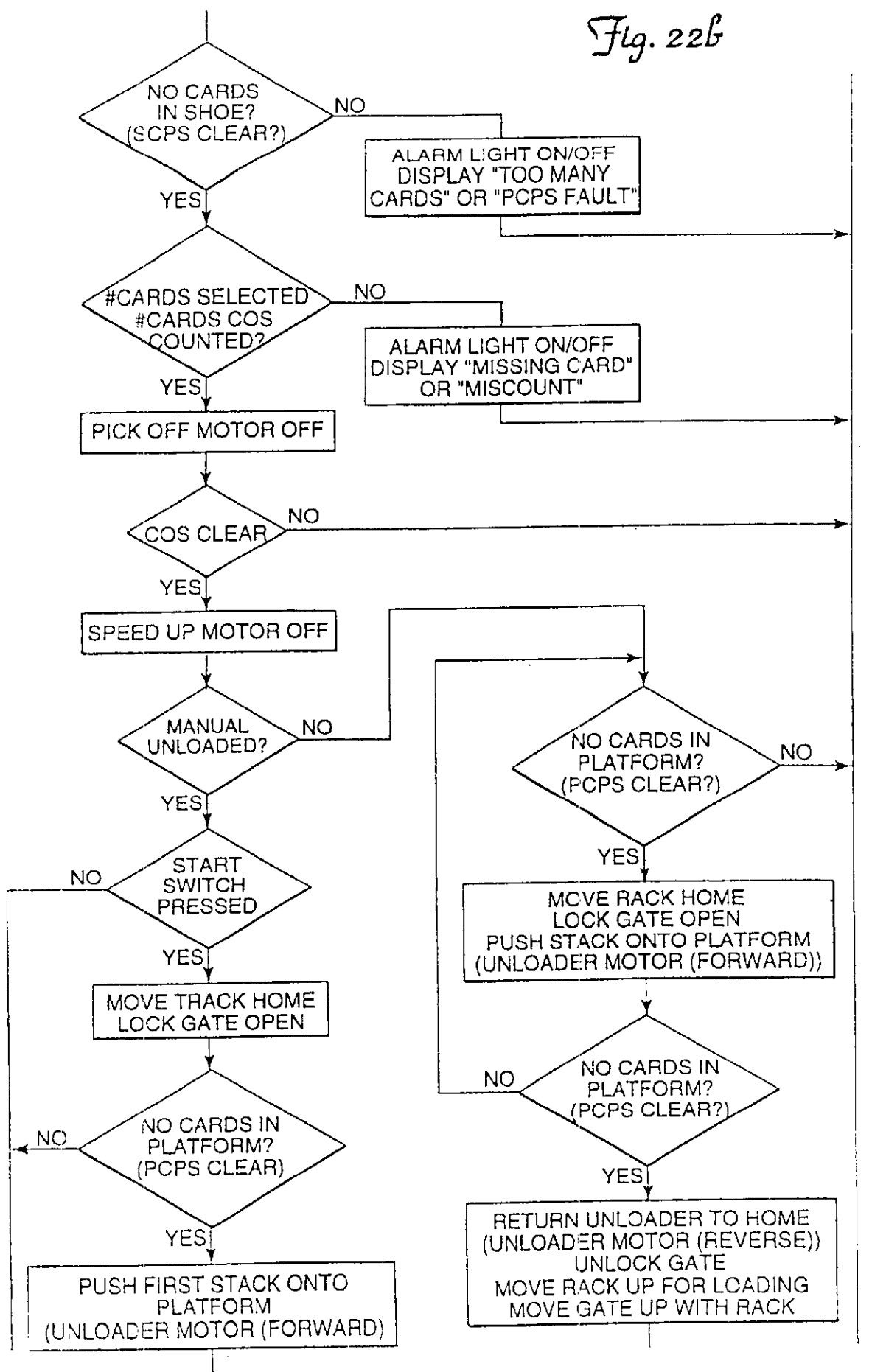


Fig. 22a

Fig. 22b



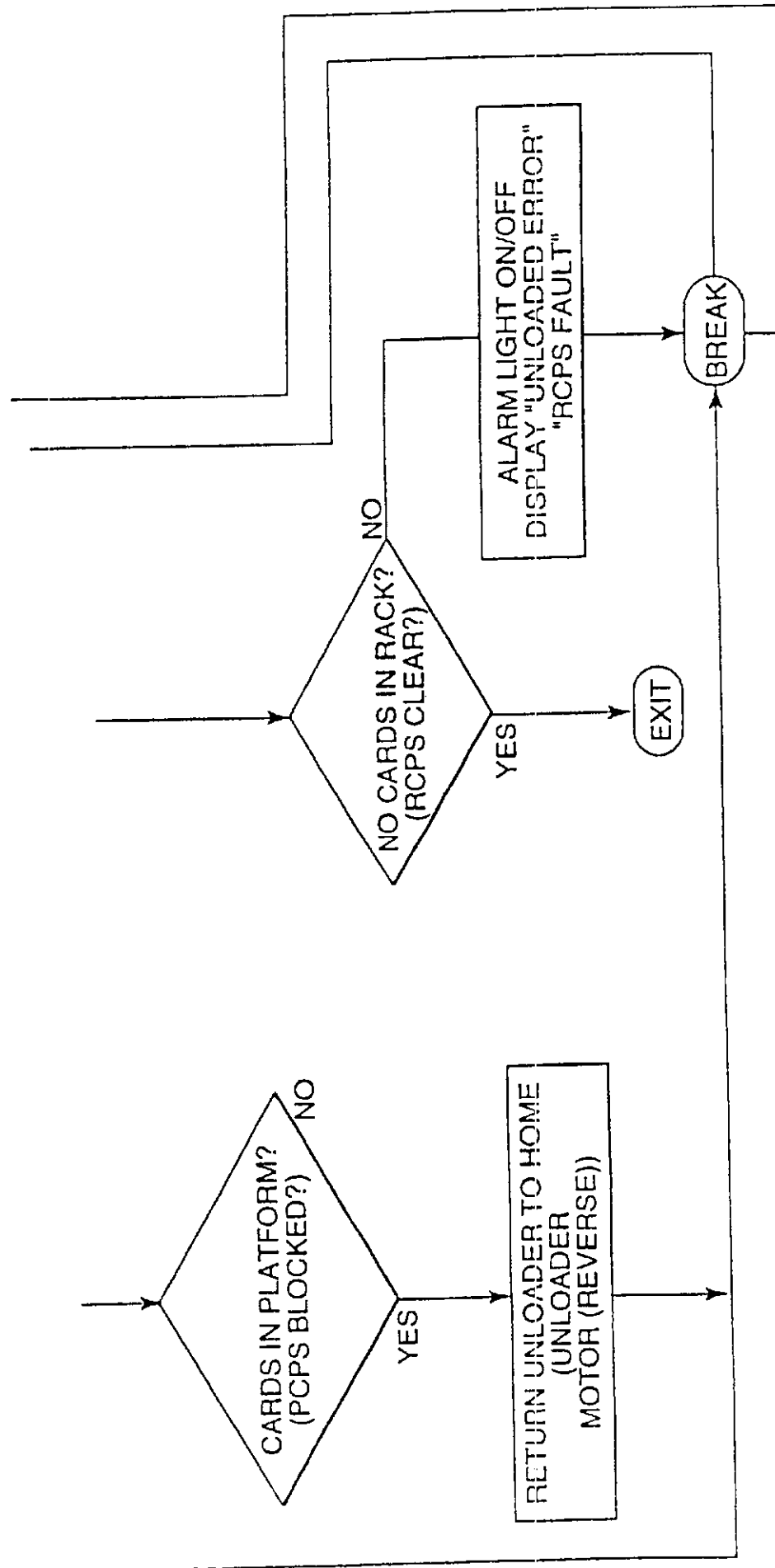
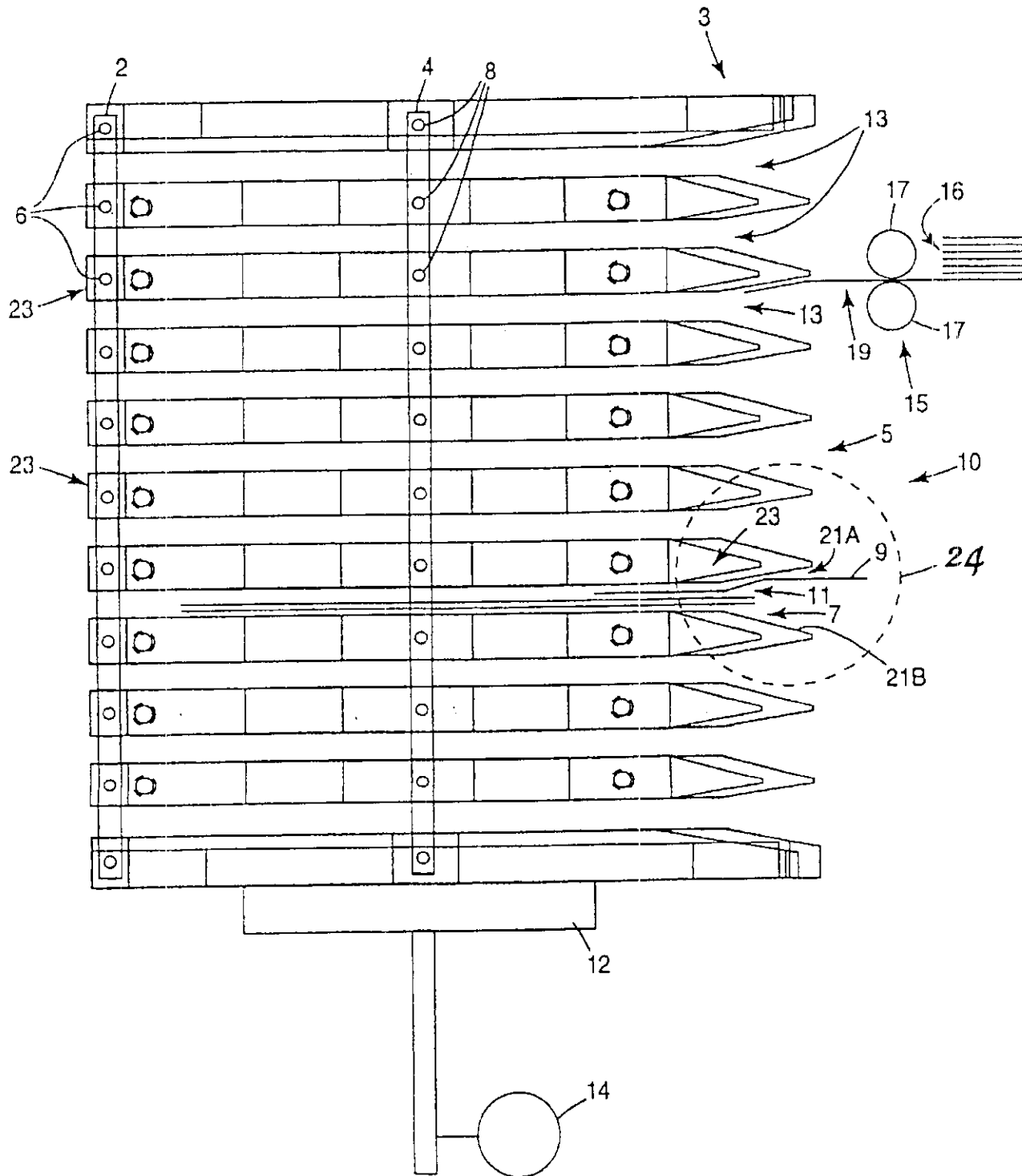


Fig. 22c

Fig. 23



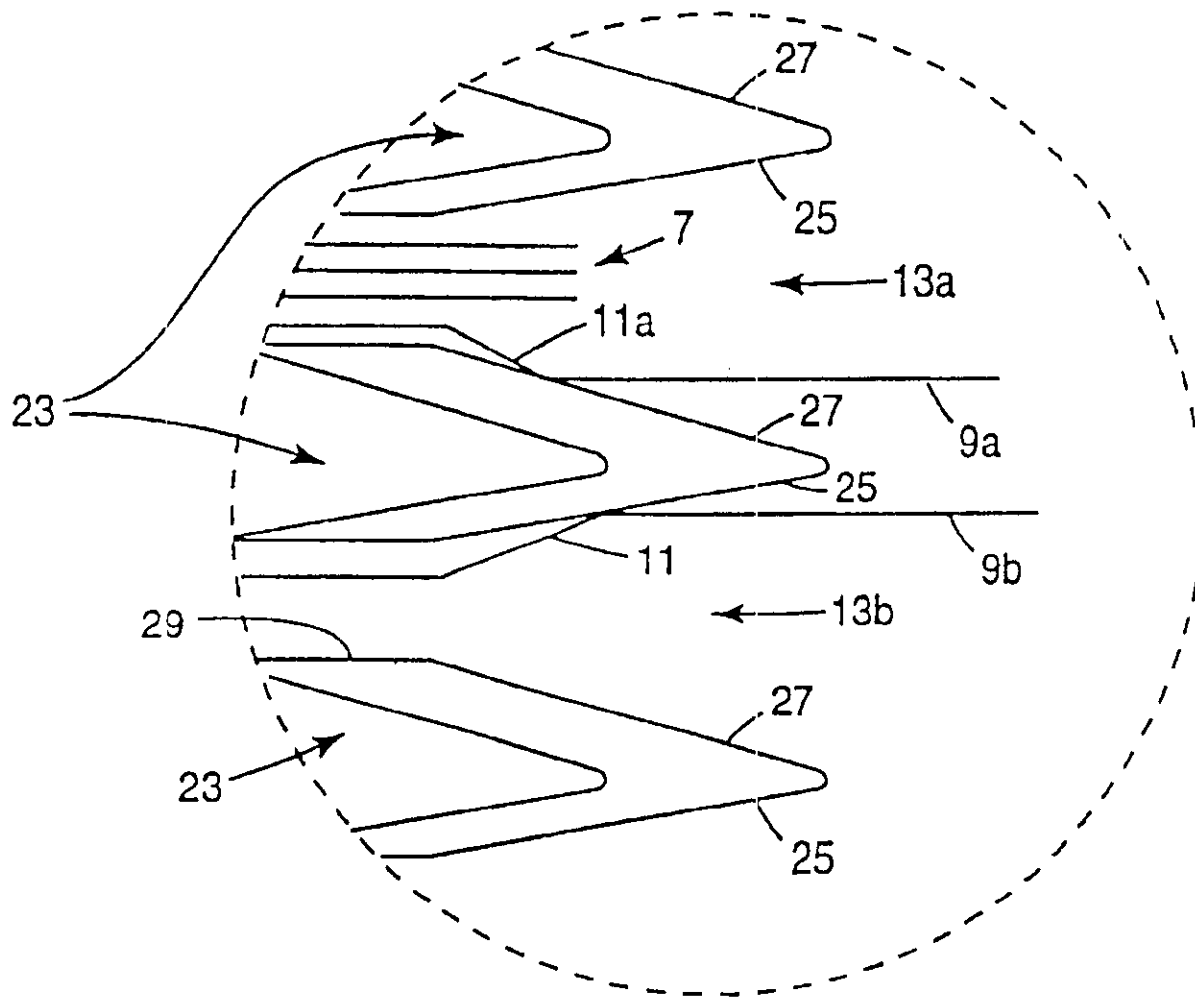


Fig. 24

US 6,655,684 B2

1

**DEVICE AND METHOD FOR FORMING
AND DELIVERING HANDS FROM
RANDOMLY ARRANGED DECKS OF
PLAYING CARDS**

RELATED APPLICATIONS

This Application is a continuation-in-part of a U.S. patent application Ser. No. 09/688,597, filed on Oct. 16, 2000, titled "DEVICE AND METHOD FOR FORMING HANDS OF RANDOMLY ARRANGED CARDS," now U.S. Pat. No. 6,588,750 which is in turn a continuation-in-part of U.S. patent application Ser. No. 09/060,627, filed on Apr. 15, 1998, titled "DEVICE AND METHOD FOR FORMING HANDS OF RANDOMLY ARRANGED CARDS," now U.S. Pat. No. 6,149,154.

BACKGROUND OF THE INVENTION

1. Field of the Invention

The present invention relates to devices for handling cards, including cards known as "playing cards". In particular, the invention relates to an electromechanical machine for organizing or arranging playing cards into a plurality of hands, wherein each hand is formed as a selected number of randomly arranged cards. The invention also relates to a mechanism for feeding cards into a shuffling apparatus and also to a method of delivering individual hands from the apparatus to individual players or individual player positions.

2. Background of the Art

Wagering games based on the outcome of randomly generated or selected symbols are well known. Such games are widely played in gaming establishments such as casinos and the wagering games include card games wherein the symbols comprise familiar, common playing cards. Card games such as twenty-one or blackjack, poker and variations of poker and the like are excellent card games for use in casinos. Desirable attributes of casino card games are that the games are exciting, they can be learned and understood easily by players, and they move or are played rapidly to a wager-resolving outcome.

From the perspective of players, the time the dealer must spend in shuffling diminishes the excitement of the game. From the perspective of casinos, shuffling time reduces the number of hands placed, reduces the number of wagers placed and resolved in a given amount of time, thereby reducing revenue. Casinos would like to increase the amount of revenue generated by a game without changing games, particularly a popular game, without making obvious changes in the play of the game that affect the hold of the casino, and without increasing the minimum size of wagers. One approach to speeding play is directed specifically to the fact that playing time is decreased by shuffling and dealing events. This approach has led to the development of electromechanical or mechanical card shuffling devices. Such devices increase the speed of shuffling and dealing, thereby increasing playing time. Such devices also add to the excitement of a game by reducing the time the dealer or house has to spend in preparing to play the game.

U.S. Pat. No. 4,513,969 (Samsel, Jr.) and U.S. Pat. No. 4,515,367 (Howard) disclose automatic card shufflers. The Samsel, Jr. patent discloses a card shuffler having a housing with two wells for receiving stacks of cards. A first extractor selects, removes and intermixes the bottommost card from each stack and delivers the intermixed cards to a storage compartment. A second extractor sequentially removes the

2

bottommost card from the storage compartment and delivers it to a typical shoe from which the dealer may take it for presentation to the players. The Howard patent discloses a card mixer for randomly interleaving cards including a carriage supported ejector for ejecting a group of cards (approximately two playing decks in number) which may then be removed manually from the shuffler or dropped automatically into a chute for delivery to a typical dealing shoe.

U.S. Pat. No. 4,586,712 (Lorber et al.) discloses an automatic shuffling apparatus designed to intermix multiple decks of cards under the programmed control of a computer. The Lorber et al. apparatus is a carousel-type shuffler having a container, a storage device for storing shuffled playing cards, a removing device and an inserting device for intermixing the playing cards in the container, a dealing shoe and supplying means for supplying the shuffled playing cards from the storage device to the dealing shoe.

U.S. Pat. No. 5,000,453 (Stevens et al.) discloses an apparatus for automatically shuffling cards. The Stevens et al. machine includes three contiguous magazines with an elevatable platform in the center magazine only. Unshuffled cards are placed in the center magazine and the spitting rollers at the top of the magazine spit the cards randomly to the left and right magazines in a simultaneous cutting and shuffling step. The cards are moved back into the center magazine by direct lateral movement of each shuffled stack, placing one stack on top of the other to stack all cards in a shuffled stack in the center magazine. The order of the cards in each stack does not change in moving from the right and left magazines into the center magazine.

U.S. Pat. No. 3,897,954 (Erickson et al.) discloses the concept of delivering cards one at a time, into one of a number vertically stacked card-shuffling compartments. The Erickson patent also discloses using a logic circuit to determine the sequence for determining the delivery location of a card, and that a card shuffler can be used to deal stacks of shuffled cards to a player. U.S. Pat. No. 5,240,140 (Huen) discloses a card dispenser which dispenses or deals cards in four discrete directions onto a playing surface, and U.S. Pat. No. 793,489 (Williams), U.S. Pat. No. 2,001,918 (Nevius), U.S. Pat. No. 2,043,343 (Warner) and U.S. Pat. No. 3,312,473 (Friedman et al.) disclose various card holders some of which include recesses (e.g., Friedman et al.) to facilitate removal of cards. U.S. Pat. No. 2,950,005 (MacDonald) and U.S. Pat. No. 3,690,670 (Cassady et al.) disclose card-sorting devices that require specially marked cards, clearly undesirable for gaming and casino play.

U.S. Pat. No. 4,770,421 (Hoffman) discloses a card-shuffling device including a card loading station with a conveyor belt. The belt moves the lowermost card in a stack onto a distribution elevator whereby a stack of cards is accumulated on the distribution elevator.

Adjacent to the elevator is a vertical stack of mixing pockets. A microprocessor preprogrammed with a finite number of distribution schedules sends a sequence of signals to the elevator corresponding to heights called out in the schedule. Each distribution schedule comprises a preselected distribution sequence that is fixed as opposed to random. Single cards are moved into the respective pocket at that height. The distribution schedule is either randomly selected or schedules are executed in sequence. When the microprocessor completes the execution of a single distribution cycle, the cards are removed a stack at a time and loaded into a second elevator. The second elevator delivers cards to an output reservoir. Thus, the Hoffman patent

US 6,655,684 B2

3

requires a two-step shuffle, i.e., a program is required to select the order in which stacks are loaded and moved onto the second elevator and delivers a shuffled deck or decks. The Hoffman patent does not disclose randomly selecting a location within the vertical stack for delivering each card. Nor does the patent disclose a single stage process that randomly delivers hands of shuffled cards with a degree of randomness satisfactory to casinos and players. Further, there is no disclosure in the Hoffman patent about how to deliver a preselected number of cards to a preselected number of hands ready for use by players or participants in a game. Another card handling apparatus with an elevator is disclosed in U.S. Pat. No. 5,683,085 (Johnson et al.). U.S. Pat. No. 4,750,743 (Nicoletti) discloses a playing card dispenser including an inclined surface and a card pusher for urging cards down the inclined surface.

Other known card shuffling devices are disclosed in U.S. Pat. No. 2,778,644 (Stephenson), U.S. Pat. No. 4,497,488 (Plevyak et al.), U.S. Pat. Nos. 4,807,884 and 5,275,411 (both Breeding) and U.S. Pat. No. 5,695,189 (Breeding et al.). The Breeding patents disclose machines for automatically shuffling a single deck of cards including a deck-receiving zone, a carriage section for separating a deck into two deck portions, a sloped mechanism positioned between adjacent corners of the deck portions, and an apparatus for snapping the cards over the sloped mechanism to interleave the cards.

The Breeding single deck shufflers used in connection with LET IT RIDE® Stud Poker are programmed to first shuffle a deck of cards, and then sequentially deliver hands of a preselected number of cards for each player. LET IT RIDE® stud poker is the subject of U.S. Pat. Nos. 5,288,081 and 5,437,462 (Breeding), which are herein incorporated by reference. The Breeding single deck shuffler delivers three cards from the shuffled deck in sequence to a receiving rack. The dealer removes the first hand from the rack. Then, the next hand is automatically delivered. The dealer inputs the number of players, and the shuffler deals out that many hands plus a dealer hand. The Breeding single deck shufflers are capable of shuffling a single deck and delivering seven player hands plus a dealer hand in approximately 60 seconds. The Breeding shuffler is a complex electromechanical device that requires tuning and adjustment during installation. The shufflers also require periodic adjustment. The Breeding et al. device, as exemplified in U.S. Pat. Nos. 6,068,258; 5,695,189; and 5,303,921 are directed to shuffling machines for shuffling multiple decks of cards with three magazines wherein unshuffled cards are cut then shuffled.

Although the devices disclosed in the preceding patents, particularly the Breeding machines, provide improvements in card shuffling devices, none discloses or suggests a device and method for providing a plurality of hands of cards, wherein the hands are ready for play and wherein each comprises a randomly selected arrangement of cards, without first randomly shuffling the entire deck. A device and method which provides a plurality of ready-to-play hands of a selected number of randomly arranged cards at a greater speed than known devices without shuffling the entire deck or decks would speed and facilitate the casino play of card games.

U.S. Pat. No. 6,149,154 describes an apparatus for moving playing cards from a first group of cards into plural groups, each of said plural groups containing a random arrangement of cards, said apparatus comprising: a card receiver for receiving the first group of unshuffled cards; a single stack of card-receiving compartments generally adja-

4

cent to the card receiver, said stack generally adjacent to and movable with respect to the first group of cards; and a drive mechanism that moves the stack by means of translation relative to the first group of unshuffled cards; a card-moving mechanism between the card receiver and the stack; and a processing unit that controls the card-moving mechanism and the drive mechanism so that a selected quantity of cards is moved into a selected number of compartments.

SUMMARY OF THE INVENTION

The present invention provides an electromechanical card handling apparatus and method for creating or generating a plurality of hands of cards from a group of unshuffled cards wherein each hand contains a predetermined number of randomly selected or arranged cards. The apparatus and, thus, the card handling method or process, is controlled by a programmable microprocessor and may be monitored by a plurality of sensors and limit switches.

While the card handling apparatus and method of the present invention is well suited for use in the gaming environment, particularly in casinos, the apparatus and method may find use in homes, card clubs, or for handling or sorting sheet material generally.

In one embodiment, an apparatus moves playing cards from a first group of unshuffled cards into shuffled hands of cards, wherein at least one and usually all of the hands contains a random arrangement or random selection of a preselected number of cards. In one embodiment, the total number of cards in all of the hands is less than the total number of cards in the first group of unshuffled cards (e.g., one or more decks of playing cards). In another embodiment, all of the cards in the first group of unshuffled cards are distributed into hands.

The apparatus comprises a card receiver for receiving the first group of cards, a stack of card receiving compartments (e.g., a generally vertical stack of horizontally disposed card-receiving compartments or carousel of rotating stacks) generally adjacent to the card receiver (the vertical stack generally is vertically movable and a carousel is generally rotatable), an elevator for raising and lowering the vertical stack or a drive to rotate the carousel, a card-moving mechanism between the card receiver and the card receiving compartments for moving cards, one at a time, from the card receiver to a selected card-receiving compartment, and a microprocessor that controls the card-moving mechanism and the elevator or drive mechanism so that each card in the group of unshuffled cards is placed randomly into one of the card-receiving compartments. Sensors may monitor and may trigger at least certain operations of the apparatus, including activities of the microprocessor, card moving mechanisms, security monitoring, and the elevator or carousel.

The controlling microprocessor, including software, randomly selects or identifies which slot or card-receiving compartment will receive each card in the group before card-handling operations begin. For example, a card designated as card 1 may be directed to a slot 5 (numbered here by numeric position within an array of slots), a card designated as card 2 may be directed to slot 7, a card designated as card 3 may be directed to slot 3, etc. Each slot or compartment may therefore be identified and treated to receive individual hands of defined numbers of randomly selected cards or the slots may be later directed to deliver individual cards into a separate hand forming slot or tray. In the first example, a hand of cards is removed as a group from an individual slot. In the second example, each card defining

US 6,655,684 B2

5

a hand is removed from more than one compartment (where one or more cards are removed from a slot), and the individual cards are combined in a hand-receiving tray to form a randomized hand of cards.

Another feature of the present invention is that it provides a programmable card handling machine with a display and appropriate inputs for adjusting the machine to any of a number of games wherein the inputs include one or more of a number of cards per hand or the name of the game selector, a number of hands delivered selector and a trouble-shooting input. Residual cards after all designated hands are dealt may be stored within the machine, delivered to an output tray that is part of the machine, or delivered for collection out of the machine, usually after all hands have been dealt and/or delivered. Additionally, there may be an elevator speed or carousel drive speed adjustment and position sensor to accommodate or monitor the position of the elevator or carousel as cards wear or become bowed or warped. These features also provide for interchangeability of the apparatus, meaning the same apparatus can be used for many different games and in different locations, thereby reducing the number of back-up machines or units required at a casino. The display may include a game mode or selected game display, and use a cycle rate and/or hand count monitor and display for determining or monitoring the usage of the machine.

Another feature of the present invention is that it provides an electromechanical playing card handling apparatus for more rapidly generating multiple random hands of playing cards as compared to known devices. The preferred device may complete a cycle in approximately 30 seconds, which is double the speed (half the time) of the Breeding single deck shuffler disclosed in U.S. Pat. No. 4,807,884, which has itself achieved significant commercial success. Although some of the groups of playing cards (including player and dealer hands and discarded or unused cards) arranged by the apparatus in accordance with the method of the present invention may contain the same number of cards, the cards within any one group or hand are randomly selected and placed therein. Other features of the invention include a reduction of set up time, increased reliability, lower maintenance and repair costs, and a reduction or elimination of problems such as card counting, possible dealer manipulation and card tracking. These features increase the integrity of a game and enhance casino security.

Yet another feature of the card handling apparatus of the present invention is that it converts at least a single deck of unshuffled cards into a plurality of hands ready for use in playing a game. The hands converted from the at least a single deck of cards are substantially completely randomly ordered, i.e., the cards comprising each hand are randomly placed into that hand. To accomplish this random distribution, a preferred embodiment of the apparatus includes a number of vertically stacked, horizontally disposed card-receiving compartments one above another or a carousel arrangement of adjacent radially disposed stacks into which cards are inserted, one at a time, until an entire group of cards is distributed. In this preferred embodiment, each card-receiving compartment is filled (that is, filled to the assigned number of cards for a hand, with the residue of cards being fed into the discard compartment or compartments, or discharged from the apparatus at a card discharge port, for example), regardless of the number of players participating in a particular game.

For example, when the card handling apparatus is being used for a seven-player game, at least seven player compartments, a dealer compartment and at least one compartment for cards not used in forming the random hands to

6

be used in the seven-player game are filled. After the last card from the unshuffled group is delivered into these various compartments, the hands are ready to be removed from the compartments and put into play, either manually, automatically, or with a combined automatic feed and hand removal. For example, the cards in the compartments may be so disposed as they are removable by hand by a dealer (a completely manual delivery from the compartment), hands are discharged into a readily accessible region (e.g., tray or support) for manual removal (a combination of mechanical/automatic delivery and manual delivery), or hands are discharged and delivered to a specific player/dealer/discharge position (completely automatic delivery).

The device can also be readily adapted for games that deal a hand or hands only to the dealer, such as David Sklansky's Hold 'Em Challenge™ poker game, described in U.S. Pat. No. 5,382,025.

One type of device of the present invention may include jammed card detection and recovery features, and may include recovery procedures operated and controlled by the microprocessor.

Generally, the operation of the card handling apparatus of the present invention will form at least a fixed number of hands of cards corresponding to the maximum number of players at a table, optionally plus a dealer hand (if there is a dealer playing in the game), and usually a discard pile. For a typical casino table having seven player stations, the device of the present invention would preferably have at least or exactly nine compartments (if there are seven players and a dealer) or at least or exactly eight compartments (if there are seven players and no dealer playing in the game) that are actually utilized in the operation of the apparatus in dealing a game, wherein each of seven player compartments contains the same number of cards. Depending upon the nature of the game, the compartments for the dealer hand may have the same or different number of cards as the player compartments, and the discard compartment may contain the same or different number of cards as the player compartments and/or the dealer compartment, if there is a dealer compartment. However, it is most common for the discard compartment to contain a different number of cards than the player and/or dealer compartments and examples of the apparatus having this capability enables play of a variety of games with a varying number of players and/or a dealer. In another example of the invention, more than nine compartments are provided and more than one compartment can optionally be used to collect discards. Providing extra compartments also increases the possible uses of the machine. For example, a casino might want to use the shuffler for an 8-player over-sized table.

Most preferably, the device is programmed to deliver a fixed number of hands, or deliver hands until the dealer (whether playing in the game or operating as a house dealer) presses an input button. The dealer input tells the microprocessor that the last hand has been delivered (to the players or to the players and dealer), and then the remaining cards in the compartments (excess player compartments and/or discard compartment and/or excess card compartment) will be unloaded into an output or discard compartment or card collection compartment outside the shuffler (e.g., where players' hands are placed after termination or completion of play with their hands in an individual game). The discard, excess or unused card hand (i.e., the cards placed in the discard compartment or slot) may contain more cards than player or dealer hand compartments and, thus, the discard compartment may be larger than the other compartments. In a preferred embodiment, the discard compartment is located

US 6,655,684 B2

7

in the middle of the generally vertically arranged stack of compartments. In another example of the invention, the discard compartment or compartments are of the same size as the card receiving compartments. The specific compartment(s) used to receive discards or cards can also change from shuffle to shuffle.

Another feature of the invention is that the apparatus of the present invention may provide for the initial top feeding or top loading of an unshuffled group of cards, thereby facilitating use by the dealer. The hand receiving portion of the machine may also facilitate use by the dealer, by having cards displayed or provided so that a dealer is able to conveniently remove a randomized hand from the upper portion of the machine or from a tray, support or platform extending from the machine to expose the cards to a vertical or nearly vertical access (within 0 to 30 or 50 degrees of horizontal, for example) by the dealer's hand.

An additional feature of the card handling apparatus of the present invention is that it facilitates and significantly speeds the play of casino wagering games, particularly those games calling for a certain, fixed number of cards per hand (e.g., Caribbean Stud® poker, Let It Ride® poker, Pai Gow Poker, Tres Card™ poker, Three Card Poker®, Hold 'Em Challenge™ poker, stud poker games, wild card poker games, match card games and the like), making the games more exciting and less tedious for players, and more profitable for casinos. The device of the present invention is believed to deliver random hands at an increased speed compared to other shufflers, such as approximately twice the speed of known devices.

In use, the apparatus of the present invention is operated to process playing cards from an initial, unshuffled or used group of cards into a plurality of hands, each hand containing the same number of randomly arranged cards. If the rules of the game require delivery of hands of unequal numbers of cards, the device of the present invention could be programmed to distribute the cards according to any preferred card count. It should be understood that the term 'unshuffled' is a relative term. A deck is unshuffled a) when it is being recycled after play and b) after previous mechanical or manual shuffling before a previous play of a game, as well as c) when a new deck is inserted into the machine with or without ever having been previously shuffled either manually or mechanically. The first step of this process is affected by the dealer placing the initial group of cards into a card receiver of the apparatus. The apparatus is started and, under the control of the integral microprocessor, assigns each card in the initial group to a compartment (randomly selecting compartments separately for each card), based on the selected number of hands, and a selected number of cards per hand. Each hand is contained in a separate compartment of the apparatus, and each is delivered (upon the dealer's demand or automatically) by the apparatus from that compartment to a hand receiver, hand support or hand platform, either manually or automatically, for the dealer to distribute it to a player. The number of hands created by the apparatus within each cycle is preferably selected to correspond to the maximum number of hands required to participate in a game (accounting for player hands, dealer hands, or house hands), and the number or quantity of cards per hand is programmable according to the game being played.

The machine can also be programmed to form a number of hands corresponding to the number of players at the table. The dealer could be required to input the number of players at the table. The dealer would be required to input the number of players at the table, at least as often as the number of players change. The keypad input sends a signal to the

8

microprocessor and then the microprocessor in turn controls the components to produce only the desired number of hands. Alternatively, bet sensors are used to sense the number of players present. The game controller communicates the number of bets placed to the shuffler, and a corresponding number of hands are formed.

Each time a new group of unshuffled cards, hand shuffled cards, used cards or a new deck(s) of cards is loaded into the card receiver and the apparatus is activated, the operation of the apparatus involving that group of cards, i.e., the forming of that group of cards into hands of random cards, comprises a new cycle. Each cycle is unique and is effected by the microprocessor, which microprocessor is programmed with software to include random number generating capability. The software assigns a card number to the each card and then randomly selects or correlates a compartment to each card number. Under the control of the microprocessor, the elevator or carousel aligns the selected compartment with the card feed mechanism in order to receive the next card. The software then directs each numbered card to the selected slots by operating the elevator or carousel drive to position that slot to receive a card.

The present invention also describes an alternative and optional unique method and component of the system for aligning the feed of cards into respective compartments and for forming decks of randomly arranged cards. The separators between compartments may have an edge facing the direction from which cards are fed, that edge having two acute angled surfaces (away from parallelism with the plane of the separator) so that cards may be deflected in either direction (above/below, left/right, top/bottom) with respect to the plane of the separator. When there are already one or more cards within a compartment, such deflection by the edge of the separator may insert cards above or below the card(s) in the compartment. The component that directs, moves, and/or inserts cards into the compartments may be controllably oriented to direct a leading edge of each card towards the randomly selected edge of a separator so that the card is inserted in the randomly selected compartment and in the proper orientation (above/below, left/right, top/bottom) with respect to a separator, the compartments, and card(s) in the compartments.

The apparatus of the present invention is compact, easy to set up and program and, once programmed, can be maintained effectively and efficiently by minimally trained personnel who cannot affect the randomness of the card delivery. This means that the machines are more reliable in the field. Service costs are reduced, as are assembly costs and set up costs. The preferred device also has fewer parts, which should provide greater reliability than known devices.

Another optional feature of the present invention is to have all compartments of equal size and fed into a final deck-forming compartment so that the handling of the cards effects a shuffling of the deck, without creating actual hands for play by players and/or the dealer. The equipment is substantially similar, with the compartments that were previously designated as hands or discards, having the cards contained therein subsequently stacked to form a shuffled deck(s). Another feature of the present invention is a mechanism that feeds cards into the compartments with a high rate of accuracy and that minimizes or eliminates wear on the cards, extending the useful life of the cards. The mechanism comprises a feed roller that remains in contact with the moving card (and possibly the subsequently exposed, underlying card) as cards are moved towards the second card-moving system (e.g., a pair of speed-up rollers), but advantageously disengages from the contact roller drive

US 6,655,684 B2

9

mechanism when a leading edge of the moving card contacts or is grasped and moved forward by the second card-moving system.

Other features and advantages of the present invention will become more fully apparent and understood with reference to the following specification and to the appended drawings and claims.

BRIEF DESCRIPTION OF THE DRAWINGS

FIG. 1 is a front perspective view depicting the apparatus of the present invention as it might be disposed ready for use in a casino on a gaming table.

FIG. 2 is a rear perspective view depicting the apparatus of the present invention.

FIG. 3 is a front perspective view of the card handling apparatus of the present invention with the exterior shroud removed.

FIG. 4 is a side elevation view of the present invention with the shroud and other portions of the apparatus removed to show internal components.

FIG. 5 is a side elevation view, largely representational, of the transport mechanism of the apparatus of the present invention.

FIG. 5A is a detailed cross-sectional view of a shelf of one example of the invention.

FIG. 5B is a cross-sectional view of a shelf with cards fully inserted.

FIG. 6 is an exploded assembly view of the transport mechanism.

FIG. 7 is a top plan view, partially in section, of the transport mechanism.

FIG. 8 is a top plan view of the pusher assembly of the present invention.

FIG. 9 is a front elevation view of a first rack and elevator assembly of the present invention.

FIG. 10 is an exploded view of the rack and elevator assembly.

FIG. 11 depicts an alternative embodiment of the shelves or partitions for forming the stack of compartments of the present invention.

FIG. 12 depicts the card stop in an open position.

FIG. 13 depicts the card stop in a closed position.

FIG. 14 is a simplified side elevational view, largely representational, of the first card handler of the present invention.

FIG. 15 is an exploded view of the hand receiving assembly of the apparatus of the present invention.

FIG. 16 is a schematic diagram of an electrical control system for one embodiment of the present invention.

FIG. 17 is a schematic diagram of the electrical control system.

FIG. 18 is a schematic diagram of an electrical control system with an optically isolated bus.

FIG. 19 is a detailed schematic diagram of a portion of the control system illustrated in FIG. 18.

FIG. 20 schematically depicts an alternative embodiment of the apparatus of the present invention.

FIG. 21 is a flow diagram, comprising two parts, parts 21a and 21b, depicting a homing sequence.

FIG. 22 is a flow diagram, comprising three parts, parts 22a, 22b and 22c, depicting a sequence of operation of the present invention.

10

FIG. 23 shows a side cutaway view of a rack comprising a series of compartments with separators having two acute surfaces on an edge of the separators facing a source of cards to be inserted into the compartments.

FIG. 24 shows an explosion image of three adjacent acute surface edges of separators in the rack of separators.

DETAILED DESCRIPTION OF THE INVENTION

This detailed description is intended to be read and understood in conjunction with appended Appendices A, B and C, which are incorporated herein by reference. Appendix A provides an identification key correlating the description and abbreviation of certain non-limiting examples of motors, switches and photo eyes or sensors with reference character identifications of the same components in the Figures, and gives the manufacturers, addresses and model designations of certain components (motors, limit switches and sensors). Appendix B outlines steps in a homing sequence, part of one embodiment of the sequence of operations as outlined in Appendix C. With regard to mechanisms for fastening, mounting, attaching or connecting the components of the present invention to form the apparatus as a whole, unless specifically described as otherwise, such mechanisms are intended to encompass conventional fasteners such as machine screws, rivets, nuts and bolts, toggles, pins and the like. Other fastening or attachment mechanisms appropriate for connecting components include adhesives, welding and soldering, the latter particularly with regard to the electrical system of the apparatus.

All components of the electrical system and wiring harness of the present invention may be conventional, commercially available components unless otherwise indicated, including electrical components and circuitry, wires, fuses, soldered connections, chips, boards, microprocessors, computers, and control system components. The software may be developed simply by hired programming without undue experimentation, the software merely directing physical performance without unique software functionality.

Generally, unless specifically otherwise disclosed or taught, the materials for making the various components of the present invention are selected from appropriate materials such as metal, metallic alloys, ceramics, plastics, fiberglass, composites and the like.

In the following description, the Appendices and the claims, any references to the terms right and left, top and bottom, upper and lower and horizontal and vertical are to be read and understood with their conventional meanings and with reference to viewing the apparatus from whatever convenient perspective is available to the viewer, but generally from the front as shown in perspective in FIG. 1.

One method according to the present invention relates to a card delivery assembly or subcomponent that comprises a preliminary card-moving element that temporarily disengages or stops its delivery action or card control action upon sensing or as a result of a card coming into contact with a second card moving or card delivery element, component or subcomponent, or in response to an increase in linear speed of the card. That is, a first card-moving component moves individual cards from a first location (e.g., the card-receiving stack) towards a second card-moving element or subcomponent (e.g., a set of speed up rollers) and the second card-moving element places the cards in a compartment after the card delivery assembly is brought into alignment with a selected component. When the second card-moving element, component or subcomponent intercepts an inci-

US 6,655,684 B2

11

vidual card or begins to grasp, guide or move an individual card, the first card-moving element, component or subcomponent must disengage its card-moving action to prevent that card-moving action from either jamming the apparatus, excessively directing or controlling an individual card, or moving too many cards (e.g., more than one card) at the same time.

A general method of the invention provides for randomly mixing cards comprising:

- a) providing at least one deck of playing cards;
- b) removing cards one-at-a-time from the at least one deck of cards;
- c) randomly inserting each card removed one-at-a-time into one of a number of distinct storage areas, each storage area defining a distinct subset of cards; and
- d) at least one of the storage areas receives at least two randomly inserted cards one-at-a-time to form a random, distinct subset of at least two cards.

Cards in random, distinct subsets may be removed from at least one of the distinct storage areas.

The cards removed from at least one of the distinct storage areas may define a subset of cards that is delivered to a player as a hand. One set of the cards removed from at least one of the distinct storage areas may also define a subset of cards that is delivered to a dealer as a hand. Distinct subsets of cards may be removed from at least one distinct storage area and be delivered into a receiving area. Each distinct subset of cards may be removed from the storage area and delivered to a position on a gaming table that is distinct from a position where another removed subset is delivered. All removed subsets may be delivered to the storage area without removal of previous subsets being removed from the receiving area. At least one received subset may become a hand of cards for use in a game of cards. The subsets may be delivered, one-at-a-time to a subset delivery position or station (e.g., delivery tray, delivery support, delivery container or delivery platform). The hands are delivered from the subset compartments either by moving cards from the subset compartment one-at-a-time, multiple cards at-a-time, or complete subsets at a single time. Moving single cards at a time can be accomplished with pick-off rollers, for example. The movement of a complete subset of cards can be accomplished by pushing the group out of the compartment with a pushing mechanism, as described below in the section entitled "Second Card Moving Mechanism."

Referring to the Figures, particularly FIGS. 1, 3 and 4, the card handling apparatus 20 of the present invention includes a card receiver 26 for receiving a group of cards, a single stack of card-receiving compartments 28 (see FIGS. 3 and 4) generally adjacent to the card receiver 26, a card moving or transporting mechanism 30 between and linking the card receiver 26 and the compartments 28, and a processing unit, indicated generally at 32, that controls the apparatus 20. The apparatus 20 includes a second card mover 34 (see FIG. 4) for emptying the compartments 28 into a second receiver 36.

Referring now to FIG. 1, the card handling apparatus 20 includes a removable, substantially continuous exterior housing, casing or shroud 40. The exterior design features of the device of the present invention are disclosed in U.S. Design Pat. No. D414,527. The shroud or casing 40 may be provided with appropriate vents 42 for cooling, if needed. The card receiver or initial loading region, indicated generally at 26, is at the top, rear of the apparatus 20, and a deck, card or hand receiving platform 36 is at the front of the apparatus 20. The platform 36 has a surface 35 for supporting a deck, card or hand. The surface 35 allows ready access

12

by a dealer or player to the deck, card or hand handled, shuffled or discharged by the apparatus 20. Surface 35, in one example of the present invention, lies at an angle with respect to the base 41 of the apparatus 20. That angle is preferably approximately 5 degrees with respect to the horizontal, but may also conveniently be at an angle of from 0 to up to ± 60 degrees with respect to the base 41, to provide convenience and ergonomic considerations to the dealer. Controls and/or display features 44 are generally located toward the rear or dealer-facing end of the machine 20. FIG. 2 provides a perspective view of the rear of the apparatus 20 and more clearly shows the display 44A and control inputs 44, including a power input module 45/switch 45A and a communication port.

FIG. 3 depicts the apparatus 20 with the shroud 40 removed, as it might be for servicing or programming, whereby the internal components may be visualized. The apparatus is shown as including a generally horizontal frame floor 50 and internal frame supports for mounting and supporting operational components, such as upright 52. A control (input and display) module 56 is cantilevered at the rear of the apparatus 20, and is operably connected to the operational portions of the apparatus 20 by suitable wiring 58. The inputs and display portion 44, 44A of the module 56 are fitted to corresponding openings in the shroud 40, with associated circuitry and programming inputs located securely within the shroud 40 when it is in place as shown in FIGS. 1 and 2.

Card Receiver

The card-loading region 26 includes a card receiving well 60. The well 60 is defined by upright, generally parallel card guiding sidewalls 62 (although one or both walls may be sloped inwardly to guide the cards into position within the well) and a rear wall 64. The card-loading region includes a floor surface 66 which, in one example of the present invention, is preferably pitched or angled downwardly toward the front of the apparatus 20. Preferably, the floor surface is pitched from the horizontal at an angle ranging from approximately 5 to 20 degrees, with a pitch of about 7 degrees being preferred. A removable, generally rectangular weight or block 68 is generally freely movably received in the well 60 for free forward and rearward movement along the floor surface 66. Under the influence of gravity, the block 68 will tend to move toward the forward end of the well 60. The block 68 has an angled, card-contacting front face 70 for contacting the face (i.e., the bottom of the bottommost card) of the last card in a group of cards placed into the well, and urges cards (i.e., the top card of a group of cards) forward into contact with the card transporting mechanism 30. The card-contacting face 70 of the block 68 is at an angle complimentary to the floor surface 66 of the well 60, for example, an angle of between approximately 10 and 80 degrees, and this angle and the weight of the block keep the cards urged forwardly against the transport mechanism 30. In one embodiment, card-contacting face 70 is rough and has a high coefficient of friction. The selected angle of the floor 66 and the weight of the block 68 allow for the free floating rearward movement of the cards and the block 68 to compensate for the forces generated as the transport mechanism 30 contacts the front card to move it. In another embodiment, a spring is provided to maintain tension against block 68. As shown in FIG. 4, the well 60 includes a card present sensor 74 to sense the presence or absence of cards in the well 60. Preferably, the block 68 is mounted on a set of rollers 69 (FIG. 5) which allows the block to glide more easily along floor surface 66 and/or the floor surface 66 and floor contacting bottom of the block 68 may be formed of or coated with suitable low friction materials.

US 6,655,684 B2

13

Card Receiving Compartments

A first preferred assembly or stack of card receiving compartments **28** is depicted in FIGS. **9** and **10**, and for purposes of this disclosure this stack of card receiving compartments is also referred to as a rack assembly or rack. The rack assembly **28** is housed in an elevator and rack assembly housing **78** generally adjacent to the well **60**, but horizontally spaced therefrom (see FIG. **4**). An elevator motor **80** is provided to position the rack assembly **28** vertically under control of a microprocessor, which microprocessor is generally part of the module **32**. The motor **80** is linked to the rack assembly **28** by a timing belt **82**. Referring now to FIG. **10**, the rack assembly **28** includes a bottom plate **92**, a left hand rack **94** carrying a plurality of half shelves **96**, a right hand rack **98** including a plurality of half shelves **100** and a top plate **102**. Together the right and left hand racks **94**, **98** and their respective half shelves **96**, **100** form the individual plate-like shelf pieces **104** for forming the top and bottom walls of individual compartments **106**. Not shown are carousel or partial carousel or fan arrangements of card or hand receiving compartments. A carousel arrangement of card receiving stacks or compartments, as known in the art, is a circular arrangement of compartments, with the compartments arranged in about 350-360 degrees, with from five to 52 or more compartments in the carousel. A partial carousel or fan arrangement would be a segment of a carousel (e.g., 30 degrees of a circle, 45 degrees, 60 degrees, 75 degrees, 90 degrees, 110 degrees, 120 degrees, 145 degrees, 180 degrees or more or less, with compartments distributed within the segment. This arrangement has an advantage over the carousel of enabling lower space or lower volumes for the card receiving compartments as a semicircle takes up less space than a complete carousel. Rather than rotating 360 degrees (or having a ± 180 degree alternating movement capability), the partial carousel or fan arrangement may not need to rotate 360 degrees, and may alternatively rotate \pm one half the total angular distribution of the partial carousel or fan. For example, if the partial carousel covers only sixty degrees of a circular carousel, the partial carousel needs to have a rotational capability of only about ± 30 degrees from the center of the partial carousel to enable access to all compartments. In other words, it could be capable of rotating in two directions, reducing the distance in which the carousel must travel to distribute cards.

Preferably, a vertical rack assembly **28** or the carousel or partial carousel assembly (not shown) has nine compartments **106**. Seven of the nine compartments **106** are for forming player hands, one compartment **106** forms dealer hands and the last compartment **106** is for accepting unused or discard cards. It should be understood that the device the present invention is not limited to rack assembly with seven compartments **106**. For example, although it is possible to achieve a random distribution of cards delivered to eight compartments with a fifty-two card deck or group of cards, if the number of cards per initial unshuffled group is greater than 52, more compartments than nine may be provided to achieve sufficient randomness in eight formed hands. Also, additional compartments may be provided to form hands for a gaming table having more than seven player positions. For example, some card rooms and casinos offer stud poker games to up to twelve people at a single table. The apparatus **20** may then have thirteen or more compartments, as traditional poker does not permit the house to play, with one or more compartments dedicated to collect unused cards. In one example of the invention, thirteen compartments are provided, and all compartments not used to form hands

14

receive discard cards. For example, in a game in which seven players compete with a dealer, eight compartments are used to form hands and the five remaining compartments accept discards.

In each example of the present invention, at least one stack of unused cards is formed which may not be sufficiently randomized for use in a card game. These unused cards should be combined if necessary, with the cards used in game play and returned to the card receiver for distribution in the next cycle.

The rack assembly **28** is operably mounted to the apparatus **20** by a left side rack plate **107** and a linear guide **108**. The rack assembly **28** is attached to the guide **108** by means of a guide plate **110**. The belt **82** is driven by the motor **80** and engages a pulley **112** for driving the rack assembly **28** up and down. A hall effect switch assembly **114** is provided to sense the location of the rack assembly **28**. The rack assembly **28** may include a card present sensor **116** mounted to an underside of plate **78** (see FIG. **4**) and which is electrically linked to the microprocessor.

FIG. **9** depicts a rack assembly **28** having nine individual compartments **106** including a comparatively larger central compartment **120** for receiving discard or unused cards. A larger discard rack is shown in this example because in a typical casino game, either three or five cards are delivered to seven players and optionally a dealer, leaving from 12 to 28 discards. In other examples of the invention, multiple discard racks of the same configuration and size as hand-forming compartments are provided instead of a larger discard rack. FIG. **7** provides a top plan view of one of the shelf members **104** and shows that each includes a pair of rear tabs **124**. The tabs **124** align a leading edge of the card with the opening of the compartment so that the cards are moved from the transporting mechanism **30** into the rack assembly **28** without jamming.

FIG. **11** depicts an alternative embodiment of plate-like shelf members **104** comprising a single-piece plate member **104'**. An appropriate number of the single-piece plates, corresponding to the desired number of compartments **106** are connected between the sidewalls of the rack assembly **28**. The plate **104'** depicted in FIG. **11** includes a curved or arcuate edge portion **126** on the rear edge **128** for removing cards or clearing jammed cards, and also includes the two bilateral tabs **124**, also a feature of the shelf members **104** of the rack assembly **28** depicted in FIG. **7**. The tabs **124** act as card guides and permit the plate-like shelf members **104** forming the compartments **106** to be positioned effectively as closely as possible to the card transporting mechanism **30** to ensure that cards are delivered into the selected compartment **106** (or **120**) even though they may be warped or bowed.

Referring back to FIG. **5**, an advantage of the plates **104** (and/or the half plates **96**, **100**) forming the compartments **106** is depicted. Each plate **104** includes a beveled or angled underside rearmost surface **130** in the space between the shelves or plates **104**, i.e., in each compartment **106**, **120**. The distance between the forward edge **132** of the bevel and the forward edge **134** of a shelf **104** preferably is less than the width of a typical card. As shown in FIG. **5A**, the leading edge **136** of a card being driven into a compartment **106**, **120** hits the beveled surface **130** and is driven onto the top of the stack of cards supported by next shelf member **104**. As shown in FIG. **5B**, when the cards are fully inserted, a trailing edge **133** of each card is positioned between edge **132** and edge **135**. To facilitate forming a bevel **130** at a suitable angle **135** and of a suitable size, a preferred thickness **137** for the plate-like shelf members is approximately

US 6,655,684 B2

15

$\frac{3}{32}$ of an inch, but this thickness and/or the bevel angle can be changed or varied to accommodate different sizes and thicknesses of cards, such as poker and bridge cards. Preferably, the bevel angle 135 is between 10 degrees and 45 degrees, and most preferably between approximately 15 degrees and 20 degrees. Whatever bevel angle and thickness is selected, it is preferred that cards should come to rest with their trailing edge 133 rearward of the forward edge 132 of the bevel 130 (see FIG. 5).

Referring now to the FIGS. 12 and 13, the front portion of the rack assembly 28 includes a solenoid or motor operated gate 144 and a door (card stop) 142 for controlling the unloading of the cards into the second receiver 36. Although a separate, vertically movable gate 144 and card door stop 142 are depicted, the function, stopping the forward movement of the cards, could be accomplished either by a lateral moving gate or card stop alone (not shown) or by other means. In FIG. 12, the gate 144 is shown in its raised position and FIG. 13 depicts it in its lowered open position. The position of the gate 144 and stop 142 is related by the microprocessor to the rack assembly 28 position.

Card Moving Mechanism

Referring now to FIGS. 4, 5 and 6, a preferred card transporting or moving mechanism 30 is positioned between the card receiving well 60 and the compartments 106, 120 of the rack assembly 28 and includes a card pickup roller assembly 149. The card pick-up roller assembly 149 includes a pick-up roller 150 and is located generally at the forward portion of the well 60. The pick-up roller 150 is supported by a bearing mounted axle 152 extending generally transversely across the well 60 whereby the card contacting surface of the roller 150 is in close proximity to the forward portion of the floor surface 66. The roller 150 is driven by a pick up motor 154 operably coupled to the axle 152 by a suitable continuous connector 156 such as a belt or chain. In operation, the front card in the well 60 is urged against the roller 150 by block 68 so that when the roller 150 is activated, the frictional surface draws the front card downwardly and forwardly.

The internal operation and inter-component operation of the pick-up roller can provide important performance characteristics to the operation of the apparatus. As previously mentioned, one method according to the present invention relates to a card delivery subcomponent that comprises a preliminary card-moving element that temporarily disengages or stops its delivery action or card control action upon sensing, upon acceleration of the card by a second card moving mechanism or as a result of card contact with a second card moving or card delivery component or subcomponent. That is, a first card-moving component moves individual cards from a first location (e.g., the card-receiving stack) towards a second location (e.g., towards a hand receiving compartment) and a second card-moving component receives or intercepts the individual cards. When the second card-moving component intercepts an individual card or begins to guide or move an individual card, the first card-moving component must disengage its card-moving action to prevent that card-moving action from either jamming the apparatus, causing drag and excessive wear on the card, excessively directing or controlling an individual card, or moving too many cards (e.g., more than one card) at the same time. These methods are effected by the operation of the pick-up roller 150 and its operating relationship with other card motivating or receiving components (such as rollers 162 and 164).

For example, a dynamic clutch, slip clutch mechanism or release gearing may be provided within the pick-up roller

16

150. Alternatively a sensor, gearing control, clutch control or pick-up roller motor drive control may be provided to control the rotational speed, rotational drive or torque, or frictional engagement of the pick-up roller 150. These systems operate to reduce or essentially eliminate any adverse or significant drag forces that would be maintained on an individual card (C) in contact with pick-up roller 150 at the time when other card motivating components or subcomponents begin to engage the individual card (e.g., rollers 162 and 164). There are a number of significant and potential problems that can be engendered by multiple motivation forces on a single card and continuous motivating forces from the pick-up roller 150. If the pick-up roller stopped rotating without disengaging from the drive mechanism, the speed-up rollers 162 and 164 would need to apply a sufficient force on the card to overcome a drag caused by the stationary pick-up roller 150. The drag forces cause the cards to wear prematurely. If the pick-up roller 150 were to continuously provide torque or moving forces against surfaces of individual cards, the speed of rotation of that pick-up roller must be substantially identical to the speed of moving forces provided by any subsequent card moving components or subcomponents. If that were not the case, stress would be placed on the card or the surface of the card to deteriorate the card, abrade the card, compress the card, damage printing or surface finishes on the cards (even to a point of providing security problems with accidental card marking), and jam the apparatus. By a timely disengaging of forces provided by the pick-up roller against a card or card surface, this type of damage is reduced or eliminated.

Additional problems from a configuration that attempts to provide continuous application of a driving force by the pick-up roller against cards is the inability of a pick-up roller to distinguish between one card and an underlying card or groups of cards. If driving forces are maintained by the pick-up roller against card surfaces, once card C passes out of control or contact with the pick-up roller 150, the next card is immediately contacted and moved, with little or no spacing between cards. In fact, after card C has immediately left contact with pick-up roller 150, because of its tendency to be positioned inwardly along card C and away from the edge of card C when firmly within the stack of cards (not shown) advanced by block 68, the pickup roller 150 immediately is pressed into engagement with the next card (not shown) underlying card C. This next underlying card may therefore be advanced along the same path as card C, even while card C still overlays the underlying card. This would therefore offer the distinct likelihood of at least two cards being transferred into the second card-moving components (e.g., rollers 162 and 164) at the same time, those two cards being card C and the next underlying card. These cards would also be offset, and not identically positioned. This could easily lead to multiple cards being inserted into individual compartments or cards jamming the apparatus as the elevator or carousel moves to another position to accept different cards. The sensors can also read multiple cards being fed as a single card, causing an error message, and leading to misdeals. The apparatus preferably counts the cards being arranged, and verifies that the correct number of cards are present in the deck. When multiple cards pass the sensors at the same time, the machine will produce an error message indicating that one or more cards is missing. Misdeals slow the play of the game, and reduce casino revenue.

The practice of the present invention of disengaging the moving force of the pick-up roller when other individual card moving elements are engaging individual cards can be

US 6,655,684 B2

17

a very important function in the performance and operation of the card delivering apparatus of this invention. This disengaging function may operate in a number of ways as described herein, with the main objective being the reduction or elimination of forward-moving forces or drag forces on the individual card once a second individual card moving element, component or subcomponent has begun to engage the individual card or will immediately engage the individual card. For example, the pick-up roller may be automatically disengaged after a specific number of revolutions or distance of revolutions of the roller (sensed by the controller or computer, and identifying the assumption that such degree of movement has impliedly engaged a second card moving system), a sensor that detects a specific position of the individual card indicating that the individual card has or is imminently about to engage a second card moving component, a timing system that allows the pick-up roller to operate for only a defined amount of time that is assumed to move the individual card into contact with the second card moving component, a tension detecting system on the pick-up roller that indicates either a pressure/tension increase (e.g., from a slowed movement of the individual card because of contact with a second card moving component) or a tension decrease (e.g., from an increased forward force or movement of the individual card as it is engaged by a more rapidly turning set of rollers 162 and 164), or any other sensed information (such as acceleration of the card) that would indicate that the individual card, especially while still engaged by the pick-up roller, has been addressed or treated or engaged or directed or moved by a second card-moving component or subcomponent.

The disengagement may be effected in a number of different ways. It is reasonably assumed that all pick-up rollers have a drive mechanism that rotates the pick-up roller, such as an axle engaging drive or a roller engaging drive. These drives may be belts, contact rollers, gears, friction contact drives, magnetic drives, pneumatic drives, piston drives or the like. In one example of the invention, a dynamic clutch mechanism may be used that allows the drive mechanism to disengage from the roller or allows the roller to freely rotate at the same speed as the engaging drive element, the pick-up roller 150 will rotate freely or with reduced tension against the forward movement of the individual card, and the card can be freely moved by the second card-moving component. The use of a dynamic clutch advantageously keeps the card in motion compressed against the stack of cards being distributed, providing more control and virtually eliminating the misfeeding of cards into the second card moving components. This "positive control" enables the cards to be fed at faster speeds and with more accuracy than with other known card feed mechanisms. Clutch systems may be used to remove the engaging action of the drive mechanism against the pick-up roller 150. Gears may disengage, pneumatic or magnetic pressure/forces may be diminished, friction may be reduced or removed, or any other disengagement procedure may be used. A preferred mechanism is the use of a speed release clutch, also known in the art as a speed drop clutch, a drag clutch, a free-rolling clutch or a draft clutch. This type of clutch is used particularly in gear driven roller systems where, upon the occurrence of increased tension (or increased resistance) against the material being driven by a roller, a clutch automatically disengages the roller drive mechanism, allowing the roller to freely revolve so that the external roller surface actually increases its speed of rotation as the article (in this case, the playing card) is sped up by the action of the second card-moving component. At the same time, the pick-up

18

roller 150 remains in contact with the card, causing a more reliable and positive feeding action into the second card moving components. The clutch may also be designed to release if there is increased resistance, so that the pick-up roller turns more slowly if the second card-moving element moves the individual card more slowly than does the pick-up roller.

In one example of the invention, cards are moved in response to the microprocessor calling for the next card. The rate at which each card is fed is not necessarily or usually constant. Activation of the pick-up roller 150 is therefore intermittent. Although it is typical to rotate the axis 152 upon which pick-up roller 150 is mounted at one angular speed, the timing of the feeding of each individual card to each compartment may vary. Since a random number generator determines the location of insertion of each card into individual compartments, the time between initiation of each rotation of the pick-up roller and the insertion of each card into a compartment may vary. It is possible to impose a uniform time interval of initiation (e.g. equal to the maximum time interval possible between inserting a card into the uppermost compartment and then the lowermost compartment) of the movement of the rotation of the pick-up roller but the shuffling time would increase. Similarly, when the compartments are in a carousel-type arrangement, the operation of pick-up roller 150 is also intermittent—that is, not operating at a constant timed interval.

Referring now to FIGS. 4 and 5, the preferred card moving mechanism 30 also includes a pinch roller card accelerator or speed-up system 160 located adjacent to the front of the well 60 between the well 60 and the rack assembly 28 and forwardly of the pick-up roller 150. The speed-up system 160 comprises a pair of axle supported, closely adjacent speed-up rollers, one above the other, including a lower roller 162 and an upper roller 164. The upper idling roller 164 is urged toward the lower roller 162 by a spring assembly 166. Alternatively, it may be weighted or drawn toward the lower roller by a resilient member (not shown). The lower roller 162 is driven by a speed-up motor 167 operably linked to the lower driven roller 162 by a suitable connector 168 such as a belt or a chain. The mounting bracket 170 for the speed-up rollers also supports a rearward card-in sensor 174 and a forward card-out sensor 176. When the individual card C is engaged by these rollers 162 and 164 that are rotating with a linear surface speed that exceeds the linear surface speed of the pick-up roller 150, the forward tension on the pick-up roller 150 exerted by card C is one characteristic that can be sensed by the controller to release the clutch (not shown) that releases the pick-up roller 150 and allows the pick-up roller 150 to rotate freely. In the event that a dynamic clutch is utilized, the increase in speed of the motivated card caused by the surface speed of rollers 162 and 164 relative to the surface speed of the motivated card effected by the pick-up roller 150 when axle 152 is being driven causes disengagement of the clutch.

FIG. 5 is a largely representational view depicting the relationship between the card receiving well 60 and the card transporting mechanism 30, and also shows a card □C□ being picked up by the pick-up roller 150 moving in rotational direction 151 and being moved into the pinch roller system 160 for acceleration into a compartment 104 of the rack assembly 28.

In a preferred embodiment, the pick-up roller 150 is not continuously driven, but rather indexes in response to instructions from the microprocessor and includes a one-way clutch mechanism. After initially picking up a card and advancing it into the pinch roller system 160, the motor 154

US 6,655,684 B2

19

operably coupled to the pick-up roller **150** stops driving the roller, and the roller **150** free-wheels as the card is accelerated through the pinch roller system **160**. The speed-up pinch roller system **160** is preferably continuous in operation once a hand-forming cycle starts and, when a card is sensed by the adjacent card out sensor **176**, the pick-up roller **150** stops and free-wheels while the card is accelerated through the pinch roller system **160**. When the trailing edge of the card is sensed by the card out sensor **176**, the rack assembly **28** moves to the next position for the next card and the pick-up roller **150** is re-activated.

Additional components and details of the transport mechanism **30** are depicted in FIG. 6, an exploded assembly view thereof. In FIG. 6 the inclined floor surface **66** of the well **60** is visible, as are the axle mounted pickup and pinch roller system **150**, **160**, respectively, and their relative positions

Referring to FIGS. 4 and 5, the transport assembly **30** includes a pair of generally rigid stopping plates including an upper stop plate and a lower stop plate, **180**, **182**, respectively. The plates **180**, **182** are positioned between the rack assembly **28** and the speed-up system **160** immediately forward of and above and below the pinch rollers **162**, **164**. The stop plates **180**, **182** stop the cards from rebounding or bouncing rearwardly, back toward the pinch rollers, as they are driven against and contact the gate **144** and/or the stop **142** at the front of the rack assembly **28**.

Processing Control Unit

FIG. 16 is a block diagram depicting an electrical control system that may be used in one embodiment of the present invention. The control system includes a controller **360**, a bus **362**, and a motor controller **364**. Also represented in FIG. 16 are inputs **366**, outputs **368**, and a motor system **370**. The controller **360** sends signals to both the motor controller **364** and the outputs **368** while monitoring the inputs **366**. The motor controller **364** interprets signals received over the bus **362** from the controller **360**. The motor system **370** is driven by the motor controller **364** in response to the commands from the controller **360**. The controller **360** controls the state of the outputs **368** and the state of the motor controller **364** by sending appropriate signals over the bus **362**.

In a preferred embodiment of the present invention, the motor system **370** comprises motors that are used for operating components of the card handling apparatus **20**. Motors operate the pick-up roller, the pinch, speed-up rollers, the pusher and the elevator. The gate and stop may be operated by a motor, as well. In such an embodiment, the motor controller **364** would normally comprise one or two controllers and driver devices for each of the motors used. However, other configurations are possible.

The outputs **368** include, for example, alarm, start, and reset indicators and inputs and may also include signals that can be used to drive a display device (e.g., a LED display—not shown). Such a display device can be used to implement a timer, a card counter, or a cycle counter. Generally, an appropriate display device can be configured and used to display any information worthy of display. The inputs **366** are information from the limit switches and sensors described above. The controller **360** receives the inputs **366** over the bus **362**.

Although the controller **360** can be any digital controller or microprocessor-based system, in a preferred embodiment, the controller **360** comprises a processing unit **380** and a peripheral device **382** as shown in FIG. 17. The processing unit **380** in a preferred embodiment may be an 8-bit single-chip microcomputer such as an 80C52 manufactured by the

20

Intel Corporation of Santa Clara, Calif. The peripheral device **382** may be a field programmable micro controller peripheral device that includes programmable logic devices, EPROMs, and input-output ports. As shown in FIG. 17, peripheral device **382** serves as an interface between the processing unit **380** and the bus **362**.

The series of instructions are stored in the controller **360** as shown in FIG. 17 as program logic **384**. In a preferred embodiment, the program logic **384** is RAM or ROM hardware in the peripheral device **382**. (Since the processing unit **380** may have some memory capacity, it is possible that some or all of the instructions may be stored in the processing unit **380**.) As one skilled in the art will recognize, various implementations of the program logic **384** are possible. The program logic **384** could be either hardware, software, or a combination of both. Hardware implementations might involve hardwired code or instructions stored in a ROM or RAM device. Software implementations would involve instructions stored on a magnetic, optical, or other media that can be accessed by the processing unit **380**. Under certain conditions, it is possible that a significant amount of electrostatic charge may build up in the card handler **20**. Significant electrostatic discharge could affect the operation of the handler **20**. It is preferable to isolate some of the circuitry of the control system from the rest of the machine. In a preferred embodiment of the present invention, a number of optically-coupled isolators are used to act as a barrier to electrostatic discharge.

As shown in FIG. 18, a first group of circuitry **390** can be electrically isolated from a second group of circuitry **392** by using optically-coupled logic gates that have light-emitting diodes to optically (rather than electrically) transmit a digital signal, and photo detectors to receive the optically transmitted data. An illustration of electrical isolation through the use of optically-coupled logic gates is shown in FIG. 19, which shows a portion of FIG. 18 in greater detail. Four Hewlett-Packard HCPL-2630 optocouplers (labeled **394**, **396**, **398** and **400**) are used to provide an 8-bit isolated data path to the output devices **368**. Each bit of data is represented by both an LED **402** and a photo detector **404**. The LEDs emit light when energized and the photo detectors detect the presence or absence of the light. Data may thus be transmitted without an electrical connection.

Second Card Moving Mechanism

Referring to FIGS. 4 and 8, the apparatus **20** includes a second card moving mechanism **34** comprising, by way of example only, a reciprocating card compartment unloading pusher **190**. The pusher **190** includes a substantially rigid pusher arm **192** in the form of a rack having a plurality of linearly arranged apertures **194** along its length. The arm **192** operably engages the teeth of a pinion gear **196** driven by an unloading motor **198**, which is in turn controlled by the microprocessor **360**. At its leading or card contacting end, the pusher arm **192** includes a blunt, enlarged card-contacting end portion **200**. The end portion **200** is greater in height than the space between the shelf members **104** forming the compartments **106** to make sure that all the cards (i.e., the hand) contained in a selected compartment are contacted and pushed out as it is operated, even when the cards are bowed or warped. The second card moving mechanism **34** is operated intermittently (upon demand or automatically) to empty full compartments **106** at or near the end of a cycle.

Second Card/Hand Receiver

When actuated, the second card moving mechanism **190** empties a compartment **106**, **120** by pushing the group of cards therein into a card receiving platform **36**. The card

US 6,655,684 B2

21

receiving platform 36 is shown in FIGS. 1, 4, 14 and 16, among others. In this way, a complete hand is pushed out, with usually one hand at a time fed to the card receiving platform 36 (or more properly, card retrieving platform). The hands are then, usually, manually retrieved by a dealer and placed at player positions. In one example of the invention, the card receiving platform 36 has a card present sensor. As a hand of cards is removed, the sensor senses the absence of cards and sends a signal to the microprocessor. The microprocessor in turn instructs the device to deliver another hand of cards.

Referring to FIG. 15, the second card or hand receiving platform 36 includes a shoe plate 204 and a solenoid assembly 206, including a solenoid plate 208, carried by a rear plate 210, which is also the front plate of the rack assembly 28. In an alternate embodiment, a motor drives the gate. The shoe plate 204 also carries an optical sensing switch 212 for sensing the presence or absence of a hand of cards and for triggering the microprocessor to drop the gate 144 and actuate the pusher 190 of the second transport assembly 34 to unload another hand of cards from a compartment 106, 120 when the hand receiver 36 is empty. In a first preferred embodiment, all hands are unloaded sequentially. In another embodiment, the dealer delivers cards to each player, and the dealer hand is delivered last, then he or she presses a button that instructs any remaining hands and the discard pile to unload. According to a third preferred embodiment, the microprocessor is programmed to randomly select and unload all player hands, then the dealer hand, and last the discard pile or piles.

FIG. 14 is a largely representational view depicting the apparatus 20 and the relationship of its components including the card receiver 26 for receiving a group of cards for being formed into hands, including the well 60 and block 68, the rack assembly 28 and its single stack of card-receiving compartments 106, 120, the card moving or transporting mechanism 30 between and linking the card receiver 26 and the rack assembly 28, the second card mover 190 for emptying the compartments 106, 120, and the second receiver 36 for receiving hands of cards.

Alternative Embodiments

FIG. 20 represents an alternative embodiment of the present invention wherein the card handler 200 includes an initial staging area 230 for receiving a vertically stacked deck or group of unshuffled cards. Preferably beneath the stack is a card extractor 232 that picks up a single card and moves it toward a grouping device 234. The picked up card moves through a card separator 236, which is provided in case more than one card is picked up, and then through a card accelerator 238. The grouping device 234 includes a plurality of compartments 240 defined, in part, by a plurality of generally horizontally disposed, parallel shelf members 242. In one embodiment there are two more compartments than player positions at the table at which the device is being used. In one preferred embodiment the grouping device 234 includes nine compartments (labeled 1-9), seven of which correspond to the player positions, one that corresponds to the dealer's position and the last for discards. The grouping device is supported by a generally vertically movable elevator 244, the height of which is controlled by a stepper motor 246, linked by means of a belt drive 248 to the elevator 244. A microprocessor 250 randomly selects the location of the stepper motor and instructs the stepper motor to move the elevator 244 to that position. The microprocessor 250 is programmed to deliver a predetermined number of cards to each compartment 240. After the predetermined number of cards is delivered to a compartment 240, no additional cards will be delivered to that compartment.

22

Each time a group of unshuffled cards are handled by this embodiment of the present invention, the order in which the cards are delivered to the compartments 240 is different due to the use of a random number generator to determine which compartment receives each card in the group. Making hands of cards in this particular fashion serves to randomize the cards to an extent sufficient to eliminate the need to shuffle the entire deck prior to forming hands.

A feature of the embodiment of the present invention depicted in FIG. 20 is a card pusher or rake 260A. The rake 260A may be either an arm with a head which pushes horizontally from the trailing edge of a card or group of cards, or a roller and belt arrangement 260B which propels a card or group of cards by providing frictional contact between one or more rollers and a lower surface of a card or the bottom-most card. In one other example of the invention, a spring device 261 holds the cards against the roller 260A causing one card at a time to be removed into tray 262. The purpose of the rake 260A is to move the cards toward an open end of the elevator. In this embodiment of the invention, the compartments are staggered so that if the card rake 260A only pushes the dealt cards a portion of the way out the dealer can still lift out each hand of cards and deliver the hand to a player. The rake 260A can also be set to push a hand of cards completely out of a compartment whereby the cards fall onto a platform 262. The hand delivered to platform 262 may be then removed and handed to the player. A sensor may be provided adjacent to the platform 262 whereby an empty platform is sensed so that the rake 260A pushes or propels another hand of cards onto the platform 262.

In another embodiment the microprocessor 250 is programmed so that the card rake 260A moves the cards to a point accessible to the dealer and then, upon optional activation of a dealer control input, pushes the cards out of the compartment 240 onto the receiver 262.

In a preferred embodiment of the device depicted in FIG. 20, although the microprocessor 250 can be programmed to deliver a different number of cards to the dealer compartment than to the player compartments, it is contemplated that the microprocessor will cause the apparatus to deliver the same number of cards to each compartment. The dealer, however, may discard cards until he or she arrives at the desired number of dealer cards for the particular game being played. For example, for the poker game known as the LET IT RIDE® game, the players and dealer initially receive a three-card hand. The dealer then discards or 'burns' one of his cards and plays with the remaining two cards.

With continued reference to FIG. 20, nine card compartments or slots are depicted. The card extractor/separator combination delivers a selected number of player cards into each of the compartments labeled 1-7. Preferably, the same number of dealer's cards may be delivered into compartment 8. Alternatively, the microprocessor 250 can be programmed so that slot 8 will receive more than or fewer than the same number of cards as the players' compartments 1-7. In the embodiment depicted in FIG. 20, card-receiving compartment 9, which may or may not be larger than the others, receives all extra cards from a deck. Preferably, the MPU instructs the device 200 to form only the maximum number of player hands plus a dealer hand. The number of cards delivered to each position may depend upon the game and the number of cards required.

Operation/Use

With reference to FIGS. 21 and 22, and Appendix C, which depict an operational program flow of the method and apparatus of the present invention, in use, cards are loaded

US 6,655,684 B2

23

into the well 60 by sliding or moving the block 68 generally rearwardly. The group of cards to be formed into hands is placed into the well 60 generally sideways, with the plane of the cards generally vertical, on one of the long side edges of the cards. The block 68 is released or replaced to urge the cards into an angular position generally corresponding to the angle of the angled card contacting face of the block 68, and into contact with the pick-up roller 150.

According to the present invention, the group of cards to be formed into hands is one or more decks of standard playing cards. Depending upon the game, the group of cards can contain one or more wild cards, can be a standard deck with one or more cards removed, can comprise a special deck such as a Canasta or Spanish 21® deck, for example, can include more than one deck, or can be a partial deck not previously recognized by those skilled in the art as a special deck. The present invention contemplates utilizing any group of cards suitable for playing a card game. For example, one use of the device of the present invention is to form hands for a card game that requires the use of a standard deck of cards with all cards having a face value of 2-5 removed.

The card handling device of the present invention is well-suited for card games that deliver a fixed number of cards to each player. For example, the LET IT RIDE® stud poker game requires that the dealer deliver three cards to each player, and three cards to the dealer. For this application, the microprocessor is set so that only three card hands are formed.

When the power is turned on, the apparatus 20 homes (see FIG. 21 and Appendix B). The start input is actuated and the process cycle begins. As the cards are picked-up, i.e., after the separation of a card from the remainder of the group of cards in the well 60 is started, a card is accelerated by the speed-up system 160 and spit or moved past the plates 180, 182 into a selected compartment 106, 120. Substantially simultaneously, movement of subsequent cards is underway. The rack assembly 28 position relative to the position of the transport mechanism 30 is monitored, selected and timed by the microprocessor whereby a selected number of cards is delivered randomly to selected compartments until the selected number of compartments 106 each contain a randomized hand of a selected number of cards. The remainder of the cards are delivered to the discard compartment 120, either before, during or after delivering the card forming hands. Because the order in which the cards are delivered is completely random, the device may or may not deliver all cards in the initial group of cards to all compartments before the first player hand is pushed out of its compartment.

Before or when all the cards have been delivered to the compartments, upon demand or automatically, the pusher 190 unloads one randomly selected hand at a time from a compartment 106 into the second card receiving platform 36. The pusher 190 may be triggered by the dealer or by the hand present sensor 212 associated with the second receiver 36. When the last hand is picked up and delivered to players and/or dealer, the larger discard compartment 120 automatically unloads. It should be appreciated that each cycle or operational sequence of the machine 20 goes through an entire group or deck of cards placed in the well 60 each time, even if only two players, i.e., two hands, are used.

FIG. 23 also shows a clearly optional method of controlling the entry of cards into the rack 3 of card-receiving compartments 13. A card delivery system 15 is shown wherein two nip rollers 17 accept individual cards 19 from a stack of cards 16 and direct the individual cards 19 into a single card-receiving compartment 13. As shown in a lower

24

portion of FIG. 23, a single card 9 is directed into one of the card-receiving compartments so that the individual card 9 strikes one of the acute angle surfaces 21 of the separator 23. The single card 9 is shown with a double bend 11 caused by the forces from the single card 9 striking the acute angle surface 21 and then the top 11 of cards 7 already positioned within the card-receiving compartment. The card delivery system 15 and/or the rack 3 may move vertically (and/or angularly, as explained later) to position individual cards (e.g., 9) at a desired elevation and/or angle in front of individual card-receiving compartments 13. The specific distance or angle that the card delivery system 15 and/or rack 3 moves are controlled (when acute angle surfaces 21 of the separators 23 are available) to position the individual card 9 so that it deflects against a specific acute angle surface 21.

An alternative method of assisting in the guidance of an individual card 9 against an acute angle surface 21 is the system shown that is enabled by bars 2 and 4. The bars 2 and 4 operate so that as they move relative to each other, the separators 23 may swivel around pins 6 causing the separators 23 to shift, changing the effective angle of the deflecting acute angle surfaces 21 with respect to individual cards 9. This is not as preferred as the mechanism by which the rack and/or the card delivery system 15 move relative vertically to each other.

FIG. 24 shows a blown-up view of a set of three separators 23. These separators are shown with acute angles (less than 90° with respect to horizontal or the plane of the separator 23 top surfaces 29) on both sides of the separators. An upward deflecting surface 27 and downward deflecting surface 25 is shown on each separator 23. In one section of FIG. 24, a single card 9a is shown impacting an upward deflecting surface 27, deflecting (and bending) individual card 9a in a two way bend 11a, the second section of the bend caused by the impact/weight of the cards 7 already within the compartment 13a. In a separate area of FIG. 24, a second individual card 9b is shown in compartment 13b, striking downward deflecting acute angle surface 25, with a double bend 11b caused by deflection off the surface 25 and then deflection off the approximately horizontal support surface 29 (or if cards are present, the upper surface of the top card) of the separator 23. The surface 29 does not have to be horizontal, but is shown in this manner for convenience. The card delivery system (not shown) moves relative to the separators (by moving the card delivery system and/or the rack (not shown in entirety) to position individual cards (e.g., 9a and 9b) with respect to the appropriate surfaces (e.g., 25 and 27).

The capability of addressing or positioning cards into compartments at either the top or bottom of the compartment (and consequently at the top or bottom of other cards within the compartment) enables an effective doubling of potential positions where each card may be inserted into compartments. This offers the designer of the device options on providing available alternative insert positions without adding additional card-receiving compartments or additional height to the stack. More options available for placement of cards in the compartments further provides randomness to the system without increasing the overall size of the device or increasing the number of compartments.

In this embodiment of the invention, the original rack has been replaced with rack 3 consisting of ten equally sized compartments. Cards are delivered in a random fashion to each rack. If the random number generator selects a compartment that is full, another rack is randomly selected.

In this embodiment, each stack of cards is randomly removed and stacked in tray 36, forming a randomly

US 6,655,684 B2

25

arranged deck of cards. Although ten compartments is a preferred number of compartments for shuffling a fifty-two card deck, other numbers of compartments can be used to accomplish random or near random shuffling. If more than one deck is shuffled at a time, more compartments could be added, if needed.

Although a description of preferred embodiments has been presented, various changes including those mentioned above could be made without deviating from the spirit of the present invention. It is desired, therefore, that reference be made to the appended claims rather than to the foregoing description to indicate the scope of the invention.

APPENDIX A

Item	Name	Description	
<u>Switches and Sensors (Inputs)</u>			
212	SCPS	Shoe Card Present Sensor	Omron * EE-SPY 302
115	RCPS	Rack Card Present Sensor	Optek * OP598A OP506A
	RHS	Rack Home Switch	Microswitch * SS14A
	RPS	Rack Position Sensor	Omron * EE-SPZ401Y.01
	UHS	Unloader Home Switch	Microswitch * SS14A
	DPS	Door Present Switch	Microswitch * SS14A
	PCPS	Platform Card Present Sensor	Omron * EE-SPY401
170	CIS	Card In Sensor	Optek * OP506A
175	COS	Card Out Sensor	Optek * OP598A
	CUS	Gate Up Switch	Microswitch * SS14A
44	CDS	Gate Up Switch	Microswitch SS14-A
	SS	Start Switch	EAO * 84-8512.5640 84-1101.0 84-7111.500
<u>Motors, Solenoid and Switches (Outputs)</u>			
154	POM	Pick-off Motor	Superior * M041-47103
165	SUM	Speed-up Motor	Superior * M041-47103
80	RM	Rack Motor	Oriental * C7009 - 9012K
198	UM	Unloader Motor	Superior * M041-47103
	FM	Fan Motor	Mechatronics * F9025L24B
143	CS	Gate Solenoid	Shindengen * F10308H w/return spring
	GM	Gate Motor	NMB 14PM-MZ-02
	SSV	Scroll Switch - Vertical	EAO * 18 - 187.035 18 - 982.8 18 - 920.1
	SSH	Scroll Switch - Horizontal	EAO * 18 - 187.035 18 - 982.8 18 - 920.1
	AL	Alarm Light	Dialight * 557 - 1505 - 203

Display Noritake * CU20025ECPB - UI
 Power Supply Shindengen * ZB241R8
 Linear Guide THK * RSR12ZMUU + 145 M
 Comat Port Digi * HR021 - ND
 Power Switch Digi * SW 323 - ND
 Power Entry Bergquist * LT - 101 - 3P

APPENDIX B

<u>Homing/Power-up</u>	
i. Unloader Home	UHS Made
Return unloader to home position. If it times out (jams), turn the alarm light on/off. Display "UNLOADER NOT HOME" "UHS FAULT".	
ii. Door Present	DPS Made
Check door present switch (DPS). If it's not made, display "Door Open", "DPS Fault" and turn the alarm light on/off.	
iii. Card Out Sensor (COS) Clear	COS Made
If card out sensor is blocked: A. Check if Rack Card Present Sensor (RCPS) is blocked. If it is, drive card back (reverse both Pick-off Motor (POM) and Speed-up Motor (SUM)) until COS is clear. Keep the card in the pinch. Align rack and load card into one of the shelves. Then go through the rack empty sequence (3 below). B. If Rack Card Present Sensor (RCPS) is clear, drive card back towards the input shoe.	

26

APPENDIX B-continued

Turn both the Speed Up Motor (SUM) and the Pick Off Motor on (reverse) until Card Out Sensor is clear plus time delay to drive the card out of the pinch.	
iv. Gate Up	GUS Made
Move rack up until the rack position sensor sees the top rack (RPS on). Gate up switch should be made (GUS). If not, display "GATE NOT UP", "GUS FAULT" and turn the alarm light on/off.	
v. Rack Empty and Home	RCPS Made
Check Rack Card Present Sensor (RCPS). If blocked, see emptying the racks. Return rack home when done.	
INTERLOCK: Do not move rack if card out sensor is blocked (see 2 to clear) or when door is not present.	
Emptying the racks: Go through the card unload sequence. Move rack down to home position. Energize solenoid. Move rack through the unload positions and unload all the cards.	
vi. Input Shoe Empty	SCPS Clear
If Shoe/Card Present Sensor (SCPS) is blocked, display "remove card from shoe" or "SCPS fault" and turn the alarm light on/off.	
vii. Platform Empty	PCPS Clear
If Platform Card Present Sensor (PCPS) is blocked, display "remove card from platform" or "PCPS Fault" and turn alarm light on/off.	
viii. Card In Sensor (CIS) Clear.	CIS Made
If Card In Sensor (CIS) is blocked, display "remove card from shoe" or "CIS fault" and turn the alarm light on/off.	

Start Position

Unloader Home	UHS Made
Rack Home	RHS Made
Rack Empty	RCPS Made
Door In Place	DPS Made
Card In Sensor Clear	CIS Made
Card Out Sensor Clear	COS Made
Gate Up	GUS Made
Platform Empty	PCPS Clear
Input Shoe Empty	SCPS Clear
Start Button Light On	

APPENDIX C

Recovery Routine

Problem:	Card Jam - COS blocked too long.
Recovery:	1. Stop rack movement. 2. Reverse both pick-off and speed-up motors until "COS" is unblocked. Stop motors. 3. If "COS" is unblocked, move rack home and back to the rack where the cards should be inserted. 4. Try again with a lower insertion point (higher rack) and slower insertion speed. If card goes in, continue insertion. 5. If "COS" is unblocked, move rack up to the top position and display "Card Jam" and turn alarm light on/off. 6. If "COS" is not unblocked after 2 or 4, display "card jam" and turn . . . (do not move rack to up position).
Problem:	Unloader jams on the way out.
Recovery:	Move unloader back home. Reposition rack with a small offset up or down and try again, lower speed if necessary. If unloader jams, keep repeating at the preset location, set a new value based on the offset that works (auto adjust).

What is claimed is:

1. An apparatus for handling cards comprising:
 - a card loading area for receiving a group of cards to be arranged into a plurality of randomized sets of cards;
 - a shuffling chamber having a plurality of card-receiving compartments, wherein each compartment is able to

US 6,655,684 B2

27

- receive more than one card within an opening of the card-receiving compartment,
- a card moving system comprising two sequential single card moving components positioned for moving at least one card at a time from the card loading area into a card-receiving compartment,
- the two sequential card single card moving components comprising a first single card moving component that moves at least a single card from the card loading area towards a second card moving component and the second card moving component receiving the individual card from the first card moving component, and a microprocessor for controlling card movement; wherein the first single card moving component reduces moving forces against the single card when the second card moving component applies moving forces against the single card.
2. The apparatus of claim 1 wherein the card moving mechanism moves only one card at a time into a card-receiving compartment.
3. The apparatus of claim 2 wherein each card-receiving compartment receives cards comprising a set of cards selected from the group consisting of players' hands, dealer's hands, discards, and excess cards.
4. The apparatus of claim 1 wherein a separator is located between each adjacent card-receiving compartment, and there is an edge of the separator that a card moved into card-receiving compartments contacts before that card is fully inserted into a card-receiving compartment.
5. The apparatus of claim 1 wherein the shuffling chamber having a plurality of card-receiving compartments is moveable in a vertical direction with respect to the two sequential single card moving components.
6. The apparatus of claim 4 wherein the separator has two card contacting surfaces, an upward deflecting surface and a downward deflecting surface.
7. The apparatus of claim 1 wherein the card moving mechanism is stationary with respect to a moveable shuffling chamber comprising a plurality of card-receiving compartments.
8. The apparatus of claim 1 wherein both the card moving mechanism and the plurality of card-receiving compartments are movable.
9. The apparatus of claim 1 wherein the shuffling chamber comprises a configuration selected from the group: a carousel, a vertical mixing stack and a fan shape.
10. The apparatus of claim 1, wherein the first single card moving component comprises a feed roller mounted for rotation on a rotational shaft.
11. The apparatus of claim 10, wherein the rotational shaft is driven by a drive mechanism.
12. The apparatus of claim 11, wherein the feed roller speed is controlled by at least one apparatus selected from the group consisting of: a drive motor, a dynamic clutch mechanism, a slip clutch, release gearing, clutch controller, drive speed controller and a sensor.
13. The apparatus of claim 10, and further comprising a clutch mechanism for disengaging the feed roller from the drive mechanism.
14. The apparatus of claim 12, wherein the clutch mechanism is capable of releasing when a card contacting the feed roller experiences linear acceleration.
15. The apparatus of claim 1, wherein each card-receiving compartment is of the same size.
16. The apparatus of claim 1, wherein not all of the card-receiving compartments are of the same size.
17. The apparatus of claim 1, wherein the second card moving component comprises a pair of speed up rollers, each speed up roller mounted for rotation on a rotational shaft.

28

18. The apparatus of claim 17, wherein at least one rotational shaft is driven by a motor.
19. The apparatus of claim 17, wherein at least one roller is an idler roller.
20. A method for delivering hands of randomly mixed cards from an apparatus comprising:
- providing at least one deck of playing cards;
 - forming at least one set of cards within the apparatus from the at least one deck of playing cards;
 - delivering to a delivery tray from the at least one set of cards within the apparatus a first individual set of randomly mixed playing cards for a game;
 - delivering the first individual set of randomly mixed playing cards from the delivery tray of the apparatus, with all cards in the first individual set delivered at the same time, and then providing a second individual set of randomly mixed playing cards into the delivery tray.
21. The method of claim 20 wherein individual sets of randomly mixed playing cards are delivered to the delivery tray and there is a single delivery tray in the apparatus.
22. The method of claim 21 wherein after at least one individual set of randomly mixed playing cards is manually removed from the delivery tray, another individual set of randomly mixed playing cards is delivered from the apparatus to the delivery tray.
23. The method of claim 21 wherein the total number of cards in sets of randomly mixed playing cards are hands delivered from the apparatus, and the hands comprise a total number of cards that are less than the total of the at least one deck of cards.
24. The method of claim 21 wherein at least one, but less than all individual sets of randomly mixed playing cards are a subset of cards that is delivered to a dealer as a hand.
25. The method of claim 21 wherein each set of randomly mixed playing cards delivered from the apparatus to the tray is then delivered to a position on a gaming table that is distinct from a position where another set of randomly mixed playing cards is delivered.
26. The method of claim 20 wherein all sets of randomly mixed playing cards are delivered to a storage area within the apparatus without removal of previous sets of randomly mixed playing cards from the storage area.
27. A mechanism for feeding cards individually into a card shuffling or hand forming apparatus, comprising:
- a surface for supporting a stack of cards;
 - a feed roller with a frictional outer surface, mounted to a rotational shaft and positioned to feed cards individually from the stack into a pair of speed up rollers;
 - a drive mechanism that rotates the feed roller;
 - a clutch mounted to the shaft for disengaging the feed roller from the drive mechanism as an individual card contacts a pair of speed up rollers; and
 - a pair of speed up rollers for advancing cards into the card shuffling or hand arranging apparatus as the cards are fed, wherein the feed roller is disengageable from the drive mechanism.
28. The mechanism of claim 27, wherein the stack of cards are supported on a first declining surface, the mechanism further comprising a slideable wedge member for sliding engagement with the declining surface and for retaining the stack against the feed roller.
29. The mechanism of claim 27, wherein the clutch is a dynamic clutch mechanism.
30. The mechanism of claim 27, wherein one of the speed-up rollers is driven by a drive mechanism.
31. The mechanism of claim 27 wherein one of the speed-up rollers is an idler roller.

US 6,655,684 B2

29

32. The mechanism of claim 27 wherein at least one of the rollers mounted to a shaft is driven by a motor that can be disengaged from the roller by automatic operation of the mechanism.

33. A method of feeding cards into a card shuffling and/or card sorting apparatus comprising:

providing a feed roller mounted for rotation about a shaft, a drive mechanism for rotating the shaft and clutch capable of disengaging the feed roller from the drive mechanism when a speed of the card accelerates and exceeds a speed of movement caused by the feed roller; and a pair of speed-up rollers;

feeding a card from a stack with the feed roller until a leading edge of the card contacts the speed-up rollers; and

when the speed of the card accelerates and exceeds the speed at which the card is fed by the feed roller, the clutch disengages from the feed roller.

34. The method of claim 33, wherein after disengagement of the feed roller, the card initially remains in contact with the roller when a leading edge of the card comes into contact with the speed-up rollers.

35. The method of claim 33, wherein the feed roller spins freely, after the card comes into contact with the speed-up rollers.

36. A method in an apparatus for delivering hands of randomly mixed cards comprising:

providing at least one deck of playing cards in the apparatus;

forming a first individual group of randomly mixed playing cards within the apparatus;

transferring the first group of randomly mixed playing cards to a single delivery tray, with all cards in the group delivered to the single delivery tray at the same time;

30

removing the group of randomized cards from the single delivery tray,

forming a second individual group of randomly mixed playing cards within the apparatus; and

transferring a second individual group of cards to the single delivery tray, with all cards in the group delivered at the same time, after the first group of randomized cards are removed.

37. The method of claim 36 wherein each formed group of cards is a hand of cards.

38. The method of claim 36 wherein forming the first individual group of randomly mixed playing cards and forming the second individual group of randomly mixed playing cards is performed prior to transferring the first individual group of randomly mixed playing cards is transferred to the single delivery tray.

39. The method of claim 37 wherein after at least one individual hand is manually removed from the delivery tray, another individual hand is automatically delivered from the apparatus to the delivery tray.

40. The method of claim 37 wherein the total number of cards in hands delivered from the apparatus comprise a total number of cards that is less than the total of the at least one deck of cards.

41. The method of claim 37 wherein at least one, but less than all individual hands is a subset of cards that is delivered to a dealer as a hand.

42. The method of claim 37 wherein each hand delivered from the apparatus to the tray is then delivered to a position on a gaming table that is distinct from a position where another hand is delivered.

43. The method of claim 36 wherein all hands are delivered to a storage area within the apparatus before removal of previous hands from the storage area.

* * * * *