

FILED COPY

1
2
3
4
5
6
7
8
9
10
11
12
13
14
15
16
17
18
19
20
21
22
23
24
25
26
27
28

John D. Klinedinst, Bar No. 86254
Gregor A. Hensrude, Bar No. 226660
Samuel B. Strohhahn, Bar No. 257697
KLNEDINST PC
777 S. Figueroa St., 47th Floor
Los Angeles, California 90017
(213) 607-2115/FAX (213) 607-2116
ghensrude@klinedinstlaw.com
sstrohhahn@klinedinstlaw.com

2009 JUL 14 AM 11:35
CLERK U.S. DISTRICT COURT
CENTRAL DIST. CALIF
LOS ANGELES

BY _____

Edward E. Casto, Jr., Esq.
Barry J. Bumgardner, Esq.
Steven W. Hartsell, Esq.
NELSON BUMGARDNER CASTO, P.C.
5601 Bridge Street, Suite 300
Fort Worth, Texas 76112
817-377-9111/FAX 817-377-3485

Attorneys for Plaintiff
GUARDIAN MEDIA TECHNOLOGIES,
LTD.

UNITED STATES DISTRICT COURT
CENTRAL DISTRICT OF CALIFORNIA

AHM
(SH)

GUARDIAN MEDIA
TECHNOLOGIES, LTD.,

Case No. CV09-5063

COMPLAINT

Plaintiff,

Date
Time:
Courtroom:
Judge:
Magistrate Judge:
Complaint Filed:
Trial Date: None set

v.

PROTON INTERNATIONAL
AMERICA, INC.,

Defendant.

Plaintiff Guardian Media Technologies, Ltd. files this Complaint against Proton International America, Inc. ("Proton" or "Defendant"), alleging as follows:

I.

THE PARTIES

1. Pursuant to the Court's directives during a hearing held on June 15, 2009, the filing date of this complaint relates back to April 20, 2009, which is the filing date of an original complaint for infringement against Defendant. This original complaint was

KLNEDINST PC
777 S. FIGUEROA ST., 47TH FLOOR
LOS ANGELES, CALIFORNIA 90017

1 dismissed without prejudice by the Court with an Order for Guardian to file this
2 subsequent complaint.

3 2. Plaintiff Guardian Media Technologies, Ltd. ("Guardian") is a Texas
4 Limited Partnership. Guardian has a mailing address at 3801 N. Capital of Texas
5 Highway, E240-303, Austin, Texas 78746.

6 3. Defendant Proton International America, Inc. ("Proton") is a corporation
7 organized and existing under the laws of the State of California with its principal place of
8 business located at 2540 Corporate Place, Suite B111, Monterey Park, California 91754.
9 Proton can be served via its registered agent for service of process: Michael Chen, 2450
10 Corporate Place, Suite B111, Monterey Park, California 91754.

11 II.

12 JURISDICTION AND VENUE

13 4. This is an action for infringement of a United States patent arising under 35
14 U.S.C. §§ 271, 281, and 284-285, among others. This Court has subject matter
15 jurisdiction of the action under Title 28 U.S.C. §1331 and §1338(a).

16 5. The Court has personal jurisdiction over Defendant, and venue is proper
17 pursuant to 28 U.S.C. §§ 1391 and 1400(b).

18 6. Defendant has substantial contacts with the forum as a result of pervasive
19 business activities conducted within the State of California and within this District,
20 including but not limited to the manufacture, sale, and/or distribution of televisions,
21 and/or computers capable of playing DVDs and/or receiving television and/or video
22 programs.

23 7. Defendant has committed acts of patent infringement, directly and/or
24 through agents and intermediaries, by shipping, distributing, importing, offering for sale,
25 and/or selling certain infringing products in California and, particularly, the Central
26 District of California.

27 8. Defendant has purposefully and voluntarily placed one or more of its
28 infringing products into the stream of commerce with the expectation that they will be

KLINEDINST PC
777 S. FIGUEROA ST., 47TH FLOOR
LOS ANGELES, CALIFORNIA 90017

1 purchased by consumers in the Central District, who in turn use the products in an
2 infringing manner in this District.

3 III.

4 PATENT INFRINGEMENT

5 9. On May 29, 1990, United States Patent No. 4,930,160 (the "160 patent")
6 was issued for "Automatic Censorship of Video Programs." A true and correct copy of
7 the '160 patent is attached hereto as Exhibit "A" and made a part hereof. On April 7,
8 2009, the United States Patent and Trademark Office issued a reexamination certificate
9 for the '160 patent. A true and correct copy of this reexamination certificate is attached
10 hereto as Exhibit "B" and is made a part hereof.

11 10. Guardian is the owner of the '160 patent ("the patent-in-suit") with all
12 substantive rights in and to the patent-in-suit, including the sole and exclusive right to
13 prosecute this action and enforce the patent-in-suit against infringers, and to collect
14 damages for all relevant times. The patent-in-suit is expired.

15 11. As it pertains to this lawsuit, the '160 patent generally relates to parental
16 control features contained in televisions and other products offered for sale by Defendant
17 that allow owners of such devices to restrict viewing of certain movies and other video
18 content based on the particular program's rating. See 47 C.F.R. 15.120.

19 12. Prior to the expiration of the patent-in-suit, Defendant directly or through
20 intermediaries, made, had made, used, imported, provided, supplied, distributed, sold,
21 and/or offered for sale televisions and other devices that infringed one or more claims of
22 the '160 patent. In addition, Defendant induced infringement and/or contributed to the
23 infringement of one or more of the claims of the '160 patent by others.

24 13. Guardian has been damaged as a result of Defendant's infringing conduct.
25 Defendant is, thus, liable to Guardian in an amount that adequately compensates it for
26 their infringements, which, by law, cannot be less than a reasonable royalty, together with
27 interest and costs as fixed by this Court under 35 U.S.C. § 284.

28 ///

KLINEDINST PC
777 S. FIGUEROA ST., 47TH FLOOR
LOS ANGELES, CALIFORNIA 90017

1 14. Upon information and belief, Defendant's infringements were deliberate
2 and with full knowledge of the '160 patent. Defendant's infringements were willful from
3 the time Defendant became aware of the '160 patent and due to the infringing nature of
4 their respective activities, Guardian is entitled to increased damages (up to three times)
5 for the period of such willful infringement pursuant to 35 U.S.C. § 284.

6 IV.

7 **JURY DEMAND**

8 15. Guardian hereby requests a trial by jury pursuant to Rule 38 of the Federal
9 Rules of Civil Procedure.

10 V.

11 **PRAYER FOR RELIEF**

12 Guardian requests that the Court find in its favor and against Defendant, and that
13 the Court grant Guardian the following relief:

14 a. Judgment that one or more claims of United States Patent No. 4,930,160
15 have been infringed, either literally and/or under the doctrine of equivalents, by
16 Defendant and/or by others to whose infringement Defendant has contributed and/or by
17 others whose infringement has been induced by Defendant;

18 b. Judgment that Defendant account for and pay to Guardian all damages to
19 and costs incurred by Guardian because of Defendant's infringing activities and other
20 conduct complained of herein;

21 c. That, to the extent Defendant had knowledge of its infringing activities,
22 Defendant's infringements be found to be willful from the time that Defendant became
23 aware of the infringing nature of their respective activities, and that the Court award
24 treble damages for the period of such willful infringement pursuant to 35 U.S.C. § 284;

25 d. That Guardian be granted pre-judgment and post-judgment interest on the
26 damages caused by Defendant's infringing activities and other conduct complained of
27 herein;

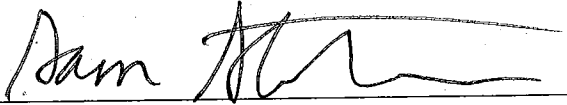
28 ///

KLINEDINST PC
777 S. FIGUEROA ST., 47TH FLOOR
LOS ANGELES, CALIFORNIA 90017

1 e. That this Court declare this an exceptional case and award Guardian its
2 reasonable attorney's fees and costs in accordance with 35 U.S.C. § 285; and

3 f. That Guardian be granted such other and further relief as the Court may
4 deem just and proper under the circumstances.
5

6 KLINEDINST PC

7
8 By: 

8 DATED: July 13, 2009

9
10 Gregor A. Hensrude
11 Samuel B. Strohbahn
12 Attorneys for Plaintiff
13 GUARDIAN MEDIA
14 TECHNOLOGIES, LTD.

11 806936v1

KLINEDINST PC
777 S. FIGUEROA ST., 47TH FLOOR
LOS ANGELES, CALIFORNIA 90017

28

Exhibit “A”

United States Patent [19]

[11] **Patent Number:** 4,930,160

Vogel

[45] **Date of Patent:** May 29, 1990

[54] **AUTOMATIC CENSORSHIP OF VIDEO PROGRAMS**

[76] **Inventor:** Peter S. Vogel, 28 Adeline Street, Faulconbridge NSW 2776, Australia

[21] **Appl. No.:** 237,176

[22] **Filed:** Aug. 29, 1988

[30] **Foreign Application Priority Data**

Sep. 2, 1987 [AU] Australia PI4107

[51] **Int. Cl.⁵** H04K 1/00

[52] **U.S. Cl.** 380/23; 358/84; 358/349; 455/2; 455/4; 380/20; 340/825.34

[58] **Field of Search** 380/3-5, 380/23, 20; 364/200, 900, DIG. 545; 358/84, 86, 139, 908, 349; 455/2, 4-6, 67-70; 340/825.31, 825.34

[56] **References Cited**

U.S. PATENT DOCUMENTS

3,859,457 1/1975 Kirk, Jr. 358/86 X
 3,919,479 11/1975 Moon et al. 358/84 X
 4,331,974 5/1982 Cogswell et al. 358/86
 4,520,404 5/1985 Von Kohorn 358/84 X

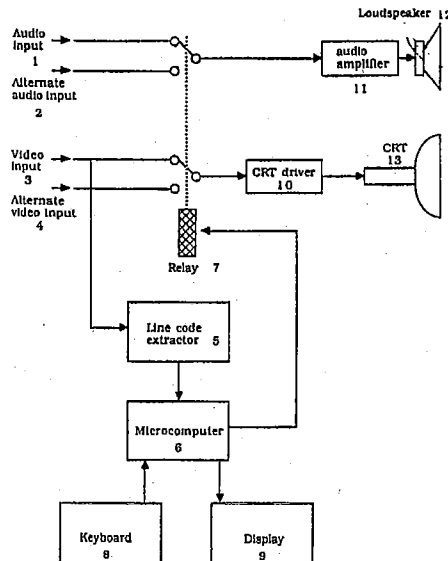
4,530,008 7/1985 McVoy 380/23
 4,605,973 8/1986 Von Kohorn 455/4 X
 4,620,229 10/1986 Amano et al. 358/349
 4,685,131 8/1987 Horne 358/86 X
 4,718,107 1/1988 Hayes 455/4
 4,750,213 6/1988 Novak 455/67
 4,814,883 3/1989 Perine et al. 358/84 X

Primary Examiner—Stephen C. Buczinski
Assistant Examiner—Bernarr Earl Gregory

[57] **ABSTRACT**

A video program is received from a broadcast or video recording and displayed for viewing. On receipt of a prescribed classification code or group of codes display is switched to an alternative source. The classification code can be encoded into the broadcast or tape being viewed, or can originate from a separate source. The alternative material displayed can be another broadcast, a local recording, a locally-generated pattern, or other material. The codes which cause the display to be switched to the alternative source can be set by the user after entering a personal identity number.

26 Claims, 5 Drawing Sheets



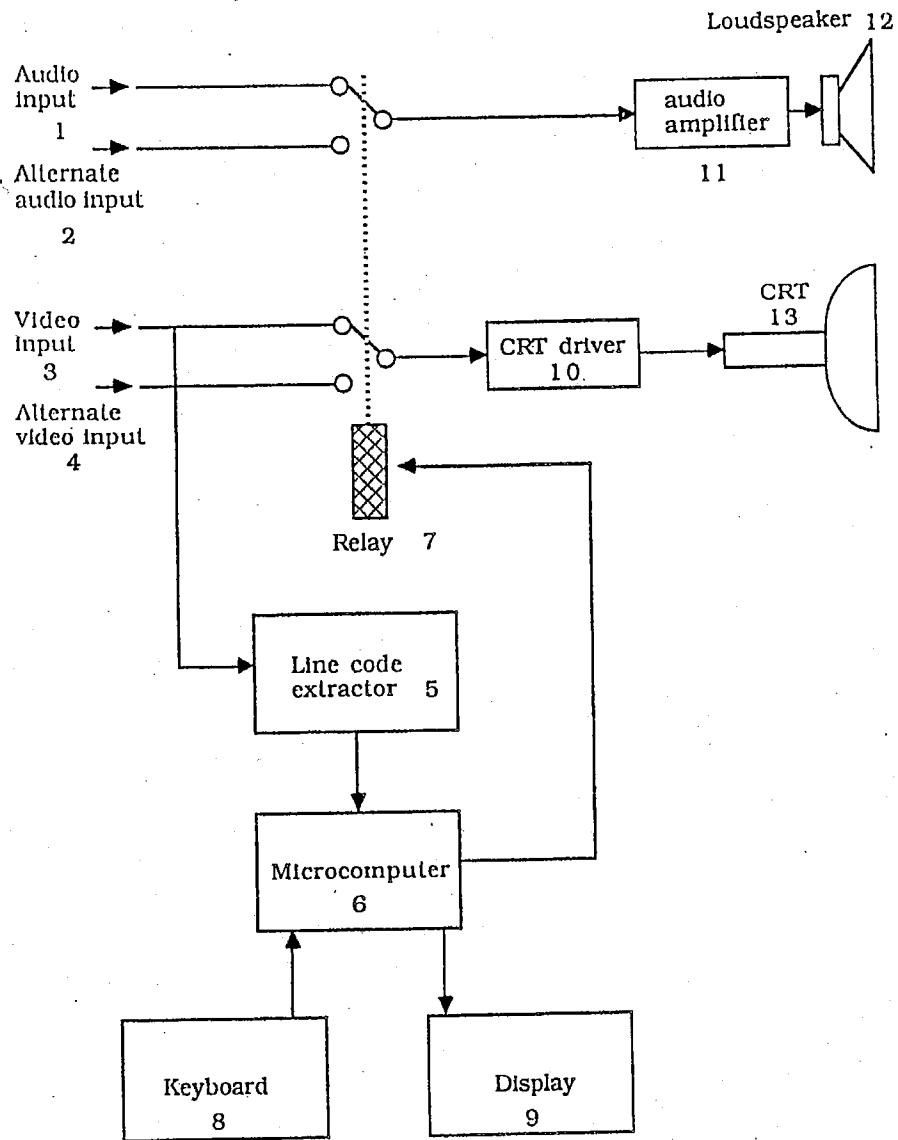


Fig. 1

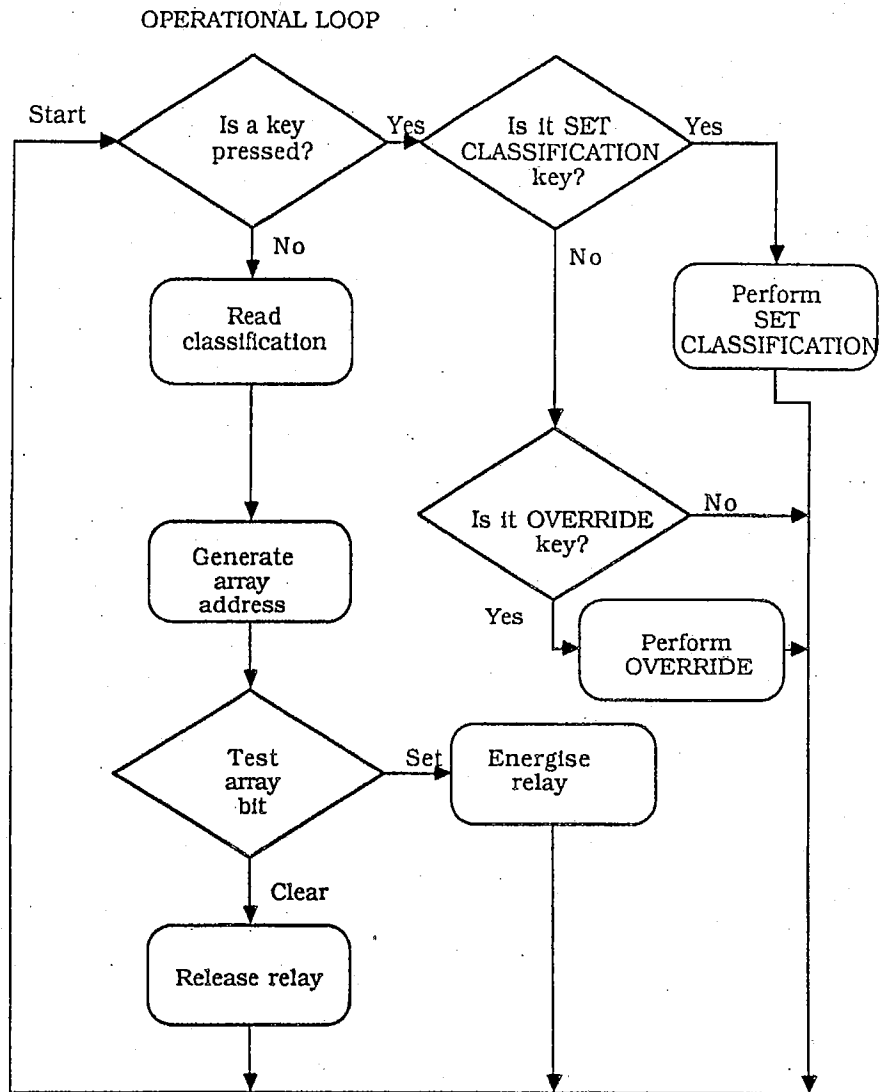


Fig. 2

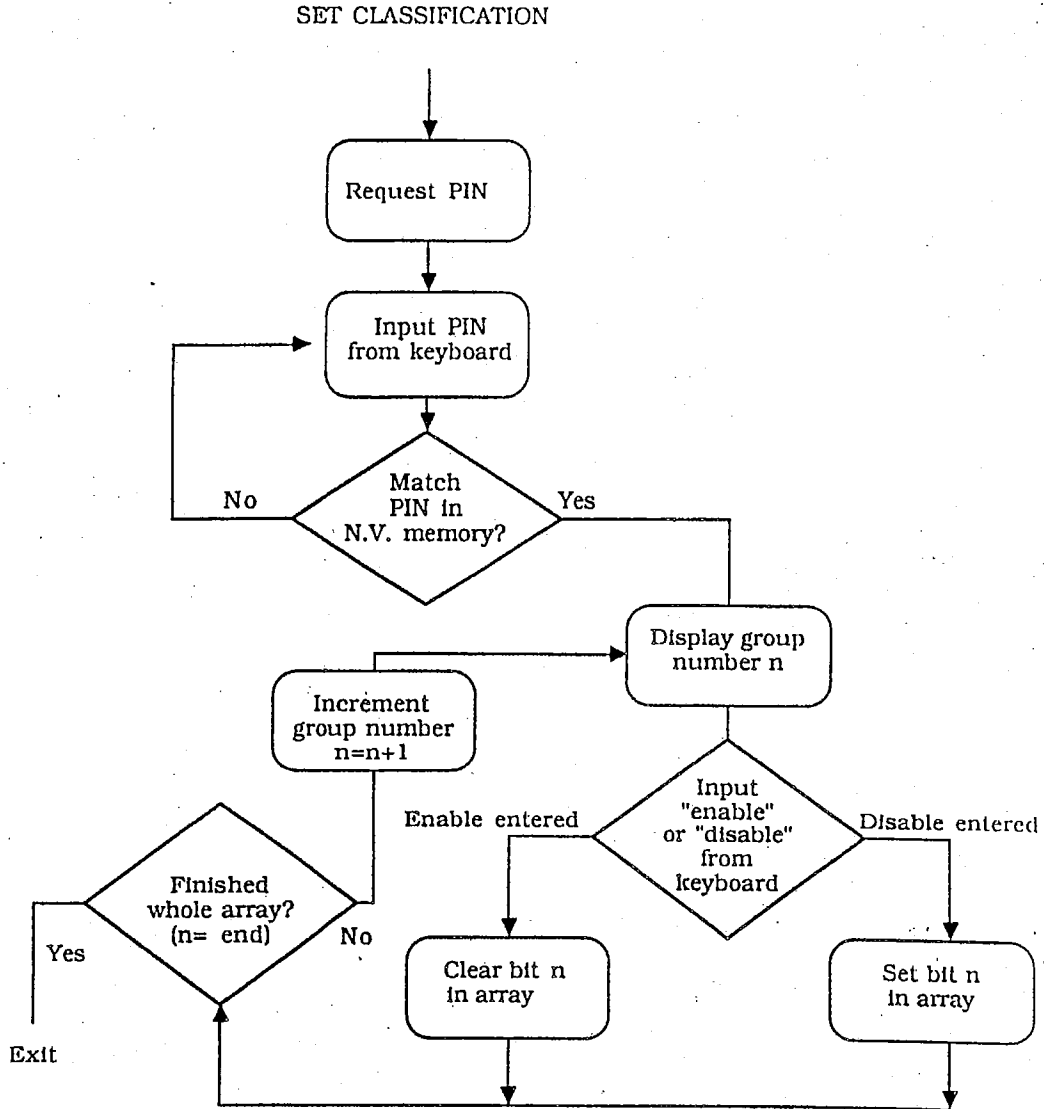


Fig. 3

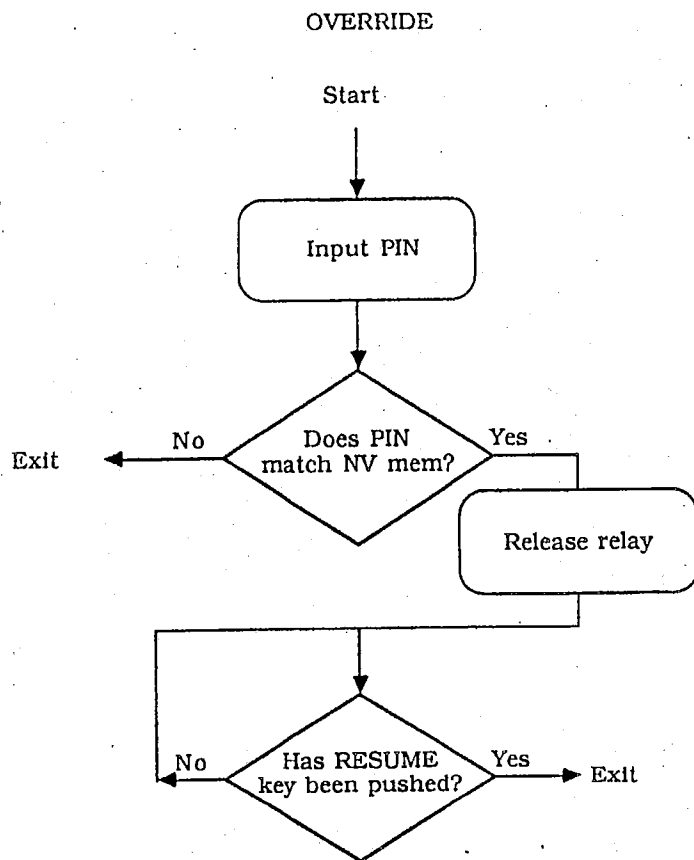


Fig. 4

U.S. Patent

May 29, 1990

Sheet 5 of 5

4,930,160

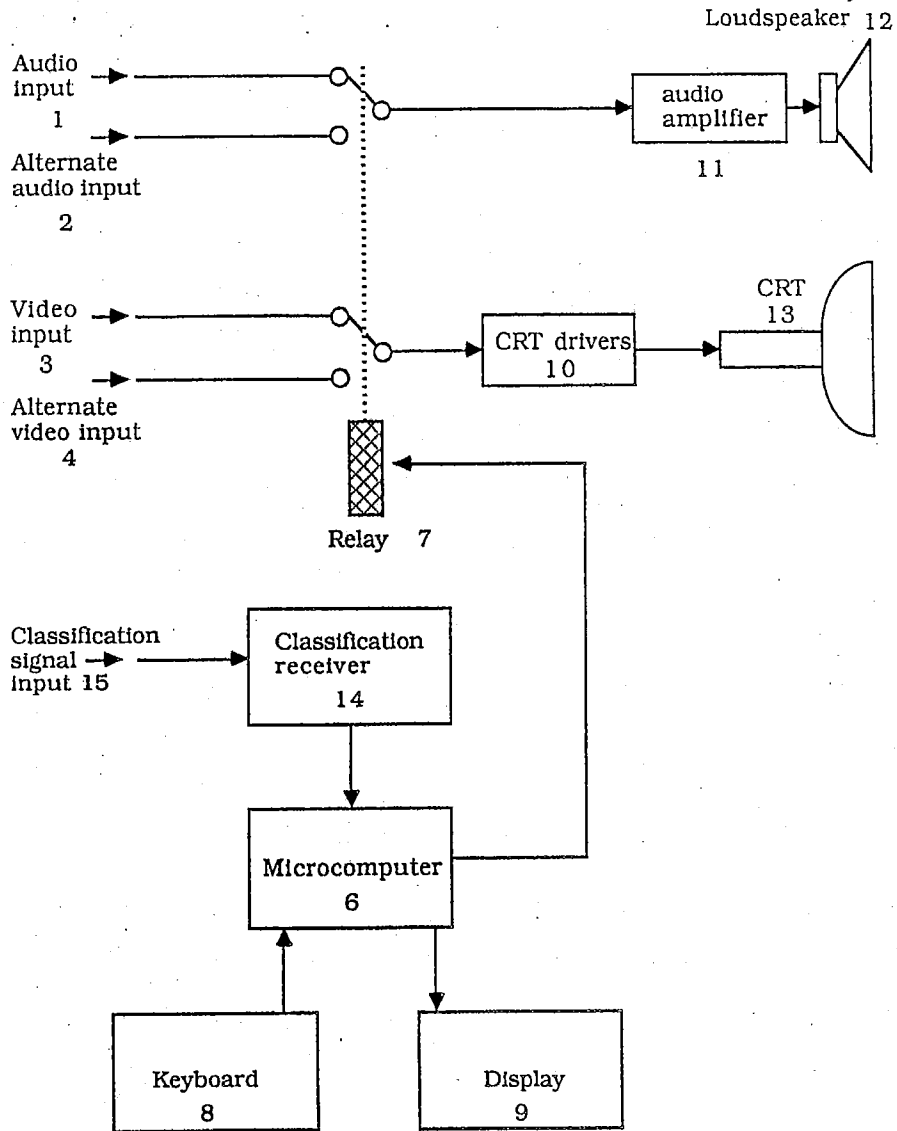


Fig. 5

AUTOMATIC CENSORSHIP OF VIDEO PROGRAMS

FIELD OF THE INVENTION

The present invention relates to methods of, and apparatus for, automatic censorship of video programs. The term video program used hereinafter refers to television programs broadcast free-to-air or by cable or by satellite, and other forms of mass distribution of video programs, including distribution by video tape or other media. The term also includes an accompanying audio signal if any.

BACKGROUND OF THE INVENTION

The need for censorship of video material is generally accepted by most societies, for the purposes of preventing the viewing of material by persons other than the target audience. Usually, such censorship takes the form of limiting access of a certain group of people, for example children, to a certain class of material, for example pornographic or violent movies. Other uses of censorship include voluntary self-censorship in cases where a recipient of a program does not wish to be exposed to certain types of program, for example scenes of great violence, advertisements which may be considered offensive, or non-program material which interrupts movies, drama or sports broadcasts.

Being the most widely accessible form of broadcasting, television is the medium with which the problem of censorship is experienced most. Traditionally, censorship of television takes the form of either preventing possibly offensive material from being broadcast in the first place, or voluntary self-censorship, that is, switching off the receiver when material which the viewer does not wish to experience is being broadcast. Another form of self-censorship, which has gained popularity since the introduction of remote controls for television sets is the phenomenon known as "zapping". Zapping involves eliminating unwanted material by muting the receiver or changing channels for the duration of the unwanted segment. While such self-censorship offers the benefit that all classes of material remain available to those who do not find them objectionable, it suffers from the inconvenience of having to anticipate the nature of broadcasts and operate the receiver appropriately. This process is tedious and error-prone, especially where the viewer wishes to suppress program material which changes rapidly in nature, for example when the viewer desires to suppress commercial messages within an otherwise unobjectionable program. Manual censorship is therefore not an entirely satisfactory solution.

It is therefore desirable to provide means whereby display of preselected classifications of program material can be automatically suppressed.

Arrangements for automatic censorship have been previously published, but suffer from a number of serious shortcomings. The main difficulty is that automatic means for discrimination of different program classifications, for example detection of television commercials, have been complex and unreliable. One technique has been to detect television commercials by the short period of black picture and silence separating them from other program material. A typical commercial-deleter of this type is described in U.S. Pat. No. 4,319,286. This system and others like it suffer from the problem that erroneous operation occurs if there is a brief period of black and silence in a broadcast at a time other than at

the beginning of a commercial break, or if there is no separation between commercials and other program material. Furthermore, such systems are unable to distinguish between resumption of desired program and further commercials at the conclusion of a commercial. Resumption of viewing or recording must therefore be controlled by some form of timing device, based on assumptions regarding the length of commercial breaks. If these assumptions are not correct, the system will fail in its function.

A much improved censorship means is described in U.S. Pat. No. 4,520,404. This system relies on a human operator to classify broadcasts, based on observation at a monitoring station. A suitably coded message is distributed from the monitoring station to the viewer's home, at which point a suitably-equipped decoder controls the television receiver or video recorder in accordance with the classification data generated by the human operator at the monitoring station. Although this invention significantly improves upon the reliability of previous methods, it nevertheless suffers significant limitations. One limitation is the difficulty of accurately predicting at the monitoring station when a change of program is going to occur, making the system somewhat error prone. Another limitation is that when the system is used under the control of one party to control the viewing of another party, for example used by parents to limit viewing by children, it is necessary to provide control means by which the class of program to be censored can be selected, and it is therefore possible for the other party to use these controls to disable the censorship, thereby defeating the function of the system. Yet another limitation is that during the period that unwanted material is being censored, the receiver is simply disabled. The viewer is therefore periodically presented with a blank screen and/or silence, which may have the undesirable effect of causing alarm when program suddenly resumes, or may be mistaken for a receiver malfunction.

The prior art methods are also deficient in that they do not provide means whereby an authorized person can selectively disable viewing of certain classifications of pre-recorded video programs.

SUMMARY OF THE INVENTION

The present invention is directed to providing novel and improved means and method of receiving video programs whereby the censorship function is provided automatically, substantially resolving the abovementioned shortcomings of the prior art as well as providing other benefits.

According to a first aspect of the present invention, there is provided a video program receiving method capable of automatically censoring video programs comprising the steps of receiving a video program, with accompanying audio if any, receiving a classification signal indicative of the content of the program being received, decoding the classification signal and, according to functions selected by the user, causing the receiver to direct to its output alternative program material for the duration of program of selected classification.

According to a second aspect of this inventive concept, apparatus for receiving and automatically censoring video program is also provided, and comprises a video program receiver, a classification signal receiver, a controller equipped to decode said received signal and

4,930,160

3

to control switching means which, according to functions selected by the user at the receiving station, cause the receiver to direct to its output alternative program material for the duration of program of selected classification.

The term "receiver" used herein is defined in the broad sense of apparatus for converting television signals (and their associated sound signals) into visual and audible signals, or apparatus for converting modulated carrier signals into video and/or audio signals suitable for display by video monitors or audition via amplifiers and loudspeakers. For example, the term receiver includes off-air domestic television sets, as well as apparatus known commonly as a "video monitor". The term "receive" is used in the broad sense of accepting signal from any signal conveyance means, for example, from an antenna, cable, optical fiber, magnetic tape, or optical disk.

Some embodiments of this invention also include an arrangement for enabling access to selection of classifications to be censored only upon entering of a security code, or personal identification number (PIN), by the user.

BRIEF DESCRIPTION OF THE DRAWINGS

Some embodiments of the present invention will now be described, by way of example only, with reference to the drawings in which:

FIG. 1 is a schematic block diagram of a first embodiment of the invention in which the program classification is encoded into the vertical interval of the video signal;

FIG. 2 is a schematic diagram of the operational loop of the program executed by the microcomputer of the first embodiment;

FIG. 3 is a schematic diagram of the software used in either embodiment for setting classifications;

FIG. 4 is a schematic diagram of the software used in either embodiment for overriding the censorship function; and

FIG. 5 is a schematic block diagram of a second embodiment of the invention in which the program classification is received by the invention from a transmission source other than the program to be censored.

DETAILED DESCRIPTION

As seen in FIG. 1 this embodiment of the invention comprises the conventional components of a television receiver or monitor, including audio amplifier 11, loudspeaker 12, CRT driver 10 and CRT 13. Under normal conditions, the sources of video and audio are selected from video input 3 and audio input 1 respectively. However when the selector means, relay 7 is energized, alternate audio input 2 and alternate video input 4 are selected instead. Both sets of audio and video inputs may derive from any source, for example a television tuner or video tape player.

The operation of this embodiment relies on the presence of a program classification code within the video signal. This can be provided in a number of well known ways which ensure that the presence of such codes do not interfere with the normal operation of television receivers. The method used in this embodiment is encoding of a digital word in the form of black and white transitions located on line 16 of the video signal. This position is chosen so as to be invisible on the CRT display. The technology for this form of signalling is well known, being commonly used for data broadcasting

4

services such as Teletext. The classification may be pre-recorded on tapes being broadcast or played locally, or inserted in a video signal prior to transmission at the broadcasting station at the time of broadcast. The means for inserting such signals is well known.

Upon arrival at video input 3 of the invention, as well as being fed to the display system, the video portion of the program is fed to line code extractor 5, which comprises means for isolating the desired line (in this embodiment line 16), extracting the digital word from that line, and presenting it as an output readable by microcomputer 6.

Microcomputer 6 is a self-contained "single chip computer" including RAM, ROM, IO ports, CPU and NV (non-volatile) memory. Of course, microcomputer 6 may also perform many other functions required by the receiver, as well as those of this invention. One of the output ports of microcomputer 6 controls relay 7. Other ports read data from keyboard 8 and send data to display 9.

Keyboard 8 is a press-button key array, which contains keys for control of all the usual television functions, as well as special keys used by this invention. The special keys include a SET CLASSIFICATION key, used for entering the classifications to be censored, an OVERRIDE key, used to disable the censorship function, and a RESUME key, used to resume censorship after OVERRIDE. The usual channel selection keys of the receiver of this embodiment serve the double purpose of allowing the user to enter a PIN (personal identification number). Similarly, the other keys can serve double functions if desired.

Display 9 is used to signal the user as required. In this embodiment it comprises an eight character liquid crystal display. In other embodiments other forms of display can be used, including single LEDs, or a video character generator which causes characters to be superimposed on the CRT display.

The censorship function of the invention is performed by the arrangement of FIG. 1 executing the program described schematically in FIG. 2.

Referring now to FIG. 2, the program starts by scanning the keyboard to test for a key depression. If no key is pressed, the classification code, arriving from line code extractor 5, is read, and an address is generated as a function of the code. A table is stored in the RAM of microcomputer 6, the address of each data bit of the table corresponding to a unique classification code, and the state of each bit so addressed indicating the classification status, namely ENABLED or DISABLED. A set bit indicates DISABLED, while a clear bit indicates ENABLED. Having generated an address from the received code, microcomputer 6 then applies this address to the table, and tests the corresponding data bit. If the bit is set, relay 7 is energized, causing the video and audio signals to be switched to the alternate sources. If the bit is clear, relay 7 is released, with the opposite effect. This procedure is repeated as a loop at high speed, so that the operation of relay 7 follows instantaneous changes in classification codes arriving at the video input of the invention.

In order to allow authorized users to select whether a given classification code is to be enabled or disabled, the program of FIG. 2 also continually scans the keyboard, testing for depression of the SET CLASSIFICATION key. If this key is pressed, the SET CLASSIFICATION routine is performed, according to FIG. 3.

4,930,160

5

Referring now to FIG. 3, when the SET CLASSIFICATION key has been pressed, microcomputer 6 first requests, via display 9, that the user enter the PIN. A number is then input, in this embodiment three digits being used for security, and compared to the PIN stored in the NV memory of microcomputer 6. If the number does not match, the request is repeated. If the number does match, the first classification group number is displayed, and the user is requested to enter enable or disable, using two designated keys of keyboard 8. If enable is entered, the first bit of the code array is cleared. If disable is entered, the bit is set. A test is then performed to see whether the last element of the array has been programmed. If it has, control is returned to the operational loop, if not, the next array element is addressed, and the input cycle repeated for the next classification code.

In this embodiment the array comprises three bits, corresponding to the classifications:

1. Advertisement (commercial product or service promotion)
2. Non-program material (includes advertisements, station identification, community service announcements, commentary during movies etc.)
3. Restricted. Programs deemed by the government censors to be unsuitable for viewing by children.

The coding scheme of this embodiment uses an eight bit word, so that up to 256 classifications can be supported. The 253 unused bits of the array are cleared, so that all classifications other than the three listed above are always enable. If desired, this range of classifications can be extended greatly, by increasing the size of the memory array.

When an authorized person, for example a parent, desires to watch a program of disabled classification, it may be inconvenient to re-define the classifications enabled. For convenience, this embodiment provides an override function, which is invoked by pressing the OVERRIDE key of keyboard 8. Depression of this key is detected by the test in the operational loop of FIG. 2, and results in the execution of the override routine of FIG. 4.

Referring to FIG. 4, on entry to the override routine, the PIN is requested from the user. If the PIN does not match the number stored in NV memory, the routine terminates. If the correct PIN has been entered, relay 7 is released, and the program continues looping until the RESUME key is pressed, with the result that no censoring action occurs until the RESUME key is pressed.

A second embodiment of the invention is shown in FIG. 5. This embodiment is similar to the first embodiment, except that classification codes are received from a source separate from the source of video program. In this case, classification receiver 14 is provided to receive classification signal input 15, which can arrive from any source, for example a radio transmitter distinct from the transmitter broadcasting the video program. This embodiment of the invention is not suited to operation with prerecorded tapes as program source. Operation of this embodiment is the same as the first embodiment, except that classification codes are read from classification receiver 14, rather than line code extractor 5, by microcomputer 6. The software executed by microcomputer 6 is also the same. The capabilities of both embodiments could easily be combined.

The foregoing describes only some embodiments of the present invention and modifications, obvious to

6

those skilled in the art, can be made without departing from the scope of the present invention.

For example, in cases where a broadcast program is being viewed, more than one channel of broadcast is available, and the classification signal is being received from a source other than the broadcast being received, it is desirable that each classification code received be identified as relating to a particular channel, so that censorship can be based on which channel is being viewed or recorded. This feature is easily added to the embodiments described, especially in cases where the keyboard and microcomputer of the invention are also used to control the channel selection functions of the television receiver.

For the purpose of implementing the invention without needing to modify the television receiver, the invention can comprise a standard television receiver in combination with a special controller which controls operation of the receiver by means of the remote control interface of the television receiver, if the receiver is equipped with remote control. That is, the censorship controller is equipped with interface means compatible with the remote control communication standard, for example an infra-red transmitter, so muting, blanking, channel-changing, or other censorship actions can be effected using unmodified receiving equipment. The channel-change function can provide the facility of displaying alternative material during periods of censorship. For example, a suitable pattern generator tuned to an unused television channel could be used to provide "electronic wallpaper" during commercial breaks. In some applications it may be desirable to implement some functions of the invention, such as PIN entry, in the remote controller, and other functions, such as the censorship function, in the receiver.

Whereas the switching means of the embodiments described herein is a relay, any form of suitable switch, such as a solidstate arrangement, can be used.

The alternative material selected during censorship periods can originate from a remote source, for example another television broadcast, or locally, for example from a video disk or tape player. The local source may also be simply a black signal generator. Furthermore, the invention is not limited to providing only one alternative program source.

Whereas one embodiment of the invention described above relies upon signals encoded into the video portion of the received program, the invention can also be effectively implemented using signals embedded into the audio portion of the program, using any of the available well-known techniques which do not interfere with normal sound reception.

What I claim is:

1. A video program reception method comprising the steps of:
 - storing in memory means a set of codes descriptive of video program classifications,
 - receiving a video signal and associated audio signal if present,
 - receiving a program classification code descriptive of said video signal,
 - accessing said memory means and comparing the contents thereof with said code, and,
 - if the result of said comparison indicates that the received program is to be displayed, causing the received video signal to be selected for display,
 - if the result of said comparison indicates that an alternative video signal is to be displayed, causing an

alternative source of video signal to be selected for display; and displaying the selected video signal on a video display means.

2. A video program reception method according to claim 1, wherein the alternative source of video signal originates from a remote transmitter.

3. A video program reception method according to claim 1, wherein the alternative source of video signal is local to the receiving station.

4. A video program reception method according to claim 1, comprising the further steps of: inputting from the user a personal identity number, comparing said number to a stored number, and if said numbers are equal, permitting the user to alter the codes stored within said memory means.

5. A video program reception method according to claim 4, wherein the alternative source of video signal originates from a source remote to the receiver.

6. A video program reception method according to claim 4, wherein the alternative source of video signal is local to the receiving station.

7. A video program reception method according to claim 6, wherein the alternative source of video signal is a local video pattern generator equipped to generate at least a black pattern.

8. A video program reception method according to claim 4, wherein the program classification code is encoded into the video component of the program.

9. A video program reception method according to claim 4, wherein the program classification code is encoded into the audio component of the program.

10. A video program reception method according to claim 4, wherein the program classification code is not encoded into the program being received but is received from a separate source.

11. A video program reception method according to claim 1, wherein the program classification code is encoded into the video component of the program.

12. A video program reception method according to claim 1, wherein the program classification code is encoded into the audio component of the program.

13. A video program reception method according to claim 1, wherein the program classification code is not encoded into the program being received but is received from a separate source.

14. A video program receiver comprising: a video signal receiver, a program classification code receiver, a program classification code memory, means for accessing said memory and comparing the contents thereof with received codes,

selector means equipped to cause a received video signal to be selected for display if the result of said comparison indicates that the received program is to be displayed and to cause an alternative source of video signal to be selected for display if the result of said comparison indicates that an alternative video signal is to be displayed, and means for displaying the selected video signal.

15. A video program receiver according to claim 14, wherein the alternative source of video signal originates from a remote transmitter.

16. A video program receiver according to claim 14, wherein the alternative source of video signal is local to the receiving station.

17. A video program receiver according to claim 14, further comprising: means for inputting from the user a personal identity number, means for comparing said number to a stored number, and control means permitting the user to alter the contents of said memory only if the compared numbers are equal.

18. A video program receiver according to claim 17, wherein the alternative source of video signal originates from a source remote to the receiver.

19. A video program receiver according to claim 17, wherein the alternative source of video signal is local to the receiving station.

20. A video program receiver according to claim 19, wherein the alternative source of video signal is a local video pattern generator equipped to generate at least a black pattern.

21. A video program receiver according to claim 17, including means for deriving the program classification code from the video component of the program.

22. A video program receiver according to claim 17, including means for deriving the program classification code from the audio component of the program.

23. A video program receiver according to claim 17, including means for receiving program classification code from a source other than the program being received.

24. A video program receiver according to claim 14, including means for deriving the program classification code from the video component of the program.

25. A video program receiver according to claim 14, including means for deriving the program classification code from the audio component of the program.

26. A video program receiver according to claim 14, including means for receiving program classification code from a source other than the program being received.

* * * * *

55

60

65

Exhibit “B”



UNITED STATES PATENT AND TRADEMARK OFFICE

UNITED STATES DEPARTMENT OF COMMERCE
 United States Patent and Trademark Office
 Address: COMMISSIONER FOR PATENTS
 P.O. Box 1450
 Alexandria, Virginia 22313-1450
 www.uspto.gov

APPLICATION NO.	FILING DATE	FIRST NAMED INVENTOR	ATTORNEY DOCKET NO.	CONFIRMATION NO.
90/007,733	09/26/2005	4930160	487132800100	2180

37086 7590 12/04/2008
 NOVAK DRUCE & QUIGG, LLP
 (NDQ REEXAMINATION GROUP)
 1000 LOUISIANA STREET
 FIFTY-THIRD FLOOR
 HOUSTON, TX 77002

EXAMINER

ART UNIT	PAPER NUMBER
----------	--------------

DATE MAILED: 12/04/2008

Please find below and/or attached an Office communication concerning this application or proceeding.



UNITED STATES PATENT AND TRADEMARK OFFICE

Commissioner for Patents
United States Patent and Trademark Office
P.O. Box 1450
Alexandria, VA 22313-1450
www.uspto.gov

DO NOT USE IN PALM PRINTER

(THIRD PARTY REQUESTER'S CORRESPONDENCE ADDRESS)

David L. Fehman
Morrison and Foerster, LLP
555 W. Fifth St. Suite 3500
Los Angeles, CA 90013

MAILED

DEC 04 2008

CENTRAL REEXAMINATION UNIT

EX PARTE REEXAMINATION COMMUNICATION TRANSMITTAL FORM

REEXAMINATION CONTROL NO. 90/007,733.

PATENT NO. 4930160.

ART UNIT 3992.

Enclosed is a copy of the latest communication from the United States Patent and Trademark Office in the above identified *ex parte* reexamination proceeding (37 CFR 1.550(f)).

Where this copy is supplied after the reply by requester, 37 CFR 1.535, or the time for filing a reply has passed, no submission on behalf of the *ex parte* reexamination requester will be acknowledged or considered (37 CFR 1.550(g)).



UNITED STATES PATENT AND TRADEMARK OFFICE

Commissioner for Patents
United States Patent and Trademark Office
P.O. Box 1450
Alexandria, VA 22313-1450
www.uspto.gov

DO NOT USE IN PALM PRINTER

(THIRD PARTY REQUESTER'S CORRESPONDENCE ADDRESS)

MORRISON & FOERSTER, LLP
555 WEST FIFTH STREET
SUITE 3500
LOS ANGELES, CA 90013-1024

MAILED

DEC 04 2008

CENTRAL REEXAMINATION UNIT

EX PARTE REEXAMINATION COMMUNICATION TRANSMITTAL FORM

REEXAMINATION CONTROL NO. 90/008,243.

PATENT NO. 4930160.

ART UNIT 3992.

Enclosed is a copy of the latest communication from the United States Patent and Trademark Office in the above identified *ex parte* reexamination proceeding (37 CFR 1.550(f)).

Where this copy is supplied after the reply by requester, 37 CFR 1.535, or the time for filing a reply has passed, no submission on behalf of the *ex parte* reexamination requester will be acknowledged or considered (37 CFR 1.550(g)).



UNITED STATES PATENT AND TRADEMARK OFFICE

UNITED STATES DEPARTMENT OF COMMERCE
 United States Patent and Trademark Office
 Address: COMMISSIONER FOR PATENTS
 P.O. Box 1450
 Alexandria, Virginia 22313-1450
 www.uspto.gov

APPLICATION NO.	FILING DATE	FIRST NAMED INVENTOR	ATTORNEY DOCKET NO.	CONFIRMATION NO.
90/008,243	01/08/2007	4930160	8086.002.RXUS00	6416

37086 7590 12/04/2008
 NOVAK DRUCE & QUIGG, LLP
 (NDQ REEXAMINATION GROUP)
 1000 LOUISIANA STREET
 FIFTY-THIRD FLOOR
 HOUSTON, TX 77002

EXAMINER

ART UNIT PAPER NUMBER

DATE MAILED: 12/04/2008

Please find below and/or attached an Office communication concerning this application or proceeding.

Notice of Intent to Issue Ex Parte Reexamination Certificate	Control No.	Patent Under Reexamination	
	90/007,733, <u>90/008,243</u>	4930160	
	Examiner	Art Unit	
	OVIDIO ESCALANTE	3992	

-- The MAILING DATE of this communication appears on the cover sheet with the correspondence address --

1. Prosecution on the merits is (or remains) closed in this *ex parte* reexamination proceeding. This proceeding is subject to reopening at the initiative of the Office or upon petition. Cf. 37 CFR 1.313(a). A Certificate will be issued in view of
 - (a) Patent owner's communication(s) filed: 25 September 2008.
 - (b) Patent owner's late response filed: _____
 - (c) Patent owner's failure to file an appropriate response to the Office action mailed: _____
 - (d) Patent owner's failure to timely file an Appeal Brief (37 CFR 41.31).
 - (e) Other: _____

Status of *Ex Parte* Reexamination:

 - (f) Change in the Specification: Yes No
 - (g) Change in the Drawing(s): Yes No
 - (h) Status of the Claim(s):
 - (1) Patent claim(s) confirmed: 3, 6, 7, 16, 19 and 20.
 - (2) Patent claim(s) amended (including dependent on amended claim(s)): _____
 - (3) Patent claim(s) cancelled: 1, 2, 4, 5, 8-15, 17, 18 and 21-26.
 - (4) Newly presented claim(s) patentable: _____
 - (5) Newly presented cancelled claims: _____
2. Note the attached statement of reasons for patentability and/or confirmation. Any comments considered necessary by patent owner regarding reasons for patentability and/or confirmation must be submitted promptly to avoid processing delays. Such submission(s) should be labeled: "Comments On Statement of Reasons for Patentability and/or Confirmation."
3. Note attached NOTICE OF REFERENCES CITED (PTO-892).
4. Note attached LIST OF REFERENCES CITED (PTO/SB/08).
5. The drawing correction request filed on _____ is: approved disapproved.
6. Acknowledgment is made of the priority claim under 35 U.S.C. § 119(a)-(d) or (f).
 - a) All b) Some* c) None of the certified copies have
 - been received.
 - not been received.
 - been filed in Application No. _____
 - been filed in reexamination Control No. _____
 - been received by the International Bureau in PCT Application No. _____

* Certified copies not received: _____
7. Note attached Examiner's Amendment.
8. Note attached Interview Summary (PTO-474).
9. Other: _____

--	--	--

cc: Requester (if third party requester)
U.S. Patent and Trademark Office
PTOL-469 (Rev.08-06)

Application/Control Number:
90/007,733; 90/008,243
Art Unit: 3992

Page 2

DETAILED ACTION

1. This action is in response to the Patent Owner's Response filed on September 25, 2008 and the personal Interview held on October 16, 2008.

Expired Patent and Status of Claims

37 CFR 1.530(j) states that "[n]o amendment may be proposed for entry in an expired patent. Moreover, no amendment, other than the cancellation of claims, will be incorporated into the patent by a certificate issued after the expiration of the patent."

The Patent Owner has complied with the issues set forth for an expired patent and thus the amendment submitted after the expiration of this instant patent is entered and the status of the claims is now as follows:

Original claims 1-2, 4-5, 8-15, 17-18 and 21-26 are canceled;

Original claims 3, 6, 7, 16, 19, 20 are pending.

Priority Determination

"local to the receiving station"

As stated in the Australian Patent Document P1-4107 at pages 12-13:

"Censorship controller 7 receives the extracted classification word, and compares it with a range of classifications previously entered by the operator using user interface 8. If the current classification matches one of those selected to be censored by the operator, censor output 9 becomes activated. Censor output 9 activates control input 10 of the video tape recorder and/or control input 11 of the television receiver, causing certain automatic censorship actions to happen. The desired actions are selected by the operator and can include the following examples : ...

Application/Control Number:
90/007,733; 90/008,243
Art Unit: 3992

Page 3

**d) Switch to alternative programme Example:
Replace advertisements with soothing images of tropical fish,
news and information items from Teletext or other source,
or alternative advertisements from another source."**

As previously argued, the Examiner notes the PI-4107 priority document makes no specific reference to whether or not the alternative program is generated or received from a "local" source.

As disclosed in PI-4107, examples of "alternative programs" can be e.g., to replace advertisements with "soothing images of tropical fish", "news and information items from Teletext" or other source or alternative advertisements from another source.

In the interview held on October 16, 2008, the Patent Owner explained that with the examples given in the Australian Patent, it is clear the "images of tropical fish" is not from "another source". That is, with the three examples, both the news and information items come from either Teletext or other source and the alternative advertisements come from another source.

The Patent Owner maintained that this clearly shows the "images of tropical fish" are not from another source and hence would come from a local source

As stated in the Patent Owner Interview Summary filed on October 29, 2008,

"...the fact that the soothing images of tropical fish were not designated as coming from another source, while the other two of the three examples were, can be seen as supporting the declarants's conclusion that to him, "it is clear the tropical fish image generation described is locally generated."

Application/Control Number:
90/007,733; 90/008,243
Art Unit: 3992

Page 4

The Examiner agrees, the cited portions of the Australian Patent appears to disclose the images of tropical fish may not from the same source as the news and information and alternative advertisements. The Examiner, however, notes that this in no way entails or clarifies that the images of tropical fish are locally sourced. The mere showing that the images of tropical fish are not from the same source as the news and information items or alternative advertisements does not bring to light whether the images of tropical fish were locally sourced. The Examiner notes that the same argument holds true for the news and information items and alternative advertisements. Both come from another source or other source, but "other source" or "another source" is not defined. The only clear source that is listed is "Teletext". The "other/another source" is not defined and shows no relationship or comparison between even being a remote source or local. The Examiner however has accepted that the news and information items and the alternative advertisements were remotely sourced based upon its use of Teletext and since it is generally known in the art that Teletext is broadcast from a remote source and advertisements are likewise remotely generated.

The Patent Owner, in their Interview Summary, acknowledged that "it is more probable and logical that the first images would be sourced locally.

The Examiner notes that this conclusion was made based on an argument the Examiner raised with the issue that it was conceivable at the time to have tropical fish images being broadcast on a specific channel. The Examiner noted that since it was technologically possible,

Application/Control Number:
90/007,733; 90/008,243
Art Unit: 3992

Page 5

then the disclosed tropical fish images can be seen by one of ordinary skill in the art as coming from a remote source.

The Examiner reiterates that just because a certain scenario is "more probable" to occur, it does not mean that the more probable scenarios occurs or is supported by the Australian priority document.

As noted by the Patent Owner in their response (filed on September 25, 2008), "the test for sufficiency of support in a parent application is whether the disclosure of the application relied upon 'reasonably conveys to the artisan that the inventor had possession at the time of the later claimed subject matter.'"

The Patent Owner acknowledges" the presence of the words "clear, and concise" in 35 U.S.C. §112 ¶ 1, but the existence of these words does not read them into the standard for written description requirement. While the statute serves as a basis, it is the Courts' interpretations that control application of the law. As evidenced by the numerous opinions of the Courts with regard to the written description requirement, the settled law in this regard does not require a clear and concise description as is being asserted by the Examiner.

35 U.S.C. 112 1st paragraph:

The specification shall contain a written description of the invention, and of the manner and process of making and using it, in such full, clear, concise, and exact terms as to enable any person skilled in the art to which it pertains, or with which it is most nearly connected, to make and use the same, and shall set forth the best mode contemplated by the inventor of carrying out his invention.

Application/Control Number:
90/007,733; 90/008,243
Art Unit: 3992

Page 6

The Examiner acknowledges *35 U.S.C. 112, first paragraph*, sets forth the minimum requirements for the quality and quantity of information that must be contained in the patent to justify the grant.

In addition, as per *MPEP 2163 [R-5]*

To satisfy the written description requirement, a patent specification must describe the claimed invention in sufficient detail that one skilled in the art can reasonably conclude that the inventor had possession of the claimed invention. See, e.g., *Moba, B.V. v. Diamond Automation, Inc.*, 325 F.3d 1306, 1319, 66 USPQ2d 1429, 1438 (Fed. Cir. 2003); *Vas-Cath, Inc. v. Mahurkar*, 935 F.2d at 1563, 19 USPQ2d at 1116.

As per *MPEP 2163 [R-5] (II)(A)(2)(b)*

To comply with the written description requirement of 35 U.S.C. 112, para. 1, or to be entitled to an earlier priority date or filing date under 35 U.S.C. 119, 120, or 365(c), **each claim limitation must be expressly, implicitly, or inherently supported in the originally filed disclosure. When an explicit limitation in a claim "is not present in the written description whose benefit is sought it must be shown that a person of ordinary skill would have understood, at the time the patent application was filed, that the description requires that limitation."** *Hyatt v. Boone*, 146 F.3d 1348, 1353, 47 USPQ2d 1128, 1131 (Fed. Cir. 1998). See also *In re Wright*, 866 F.2d 422, 425, 9 USPQ2d 1649, 1651 (Fed. Cir. 1989).

The Examiner maintains, in view of MPEP 2163 that **support may not be established by probabilities or possibilities.** The mere fact that a certain thing may result from a given set of circumstances is not sufficient.

The Patent Owner's attempted to show that a person of ordinary skill (i.e. Novak and Vogel declarations) would have concluded that the cited portions in the Australian priority document showed a "local" source of information.

Application/Control Number:
90/007,733; 90/008,243
Art Unit: 3992

Page 7

The only factual argument from the declarations is based on their opinion that since the "tropical fish images" are not from another source or other source then it would be from a local source.

However, as further noted, "other" or "another" source is not clearly defined and furthermore, the absence of description from what source the images of tropical fish comes from would not default to a non-disclosed local source. At best, it is a source that is not the same as the other two sources.

Thus, the Examiner maintains that the priority document does not support the claimed limitation of "local to the receiving station" and thus does not grant the Patent Owner's priority to the Australian application for those claims that recite "local to the receiving station".

Novak in view of Motoyama

The Patent Owner states that Motoyama teaches away from being combined with Novak because Novak will never output a high noise signal as required by Motoyama, and thus Novak will never trigger a response from Motoyama to display a locally generated alternative source of video signal.

The Patent Owner maintains that Motoyama's microprocessor requires a "detect signal" that causes the microprocessor to output its lost signal notification, but the Novak reference does not supply such a detect signal.

In the Interview Summary, the Patent Owner states with regards to figure 1 of the Novak reference, the "Alternative Program Signal 12" is shown to seemingly constantly flow into

Application/Control Number:
90/007,733; 90/008,243
Art Unit: 3992

Page 8

ensorship device 102. There is no discussion in the Novak reference of a signal sent that initiates transmission of Alternative Program Signal 12. Since this Alternative Program Signal 12 in the Novak reference appears to always be input and available to be switch to, it was agreed that the Alternative Program Signal 12 is more like a broadcast signal which would not be a local signal.

In the Interview Summary, the Patent Owner notes the fact that the Novak reference does not send a signal that could initiate transmission of its Alternative Program Signal 12 also means the Novak reference does not have a "detect signal" capable of initiating output of Motoyama's alternative source of video content (lost signal notification) from Motoyama's microprocessor.

In the Patent Owner's after final response, the Patent Owner contends Novak deals with displaying alternative programming in response to an event with an incoming program; namely the event of content restriction based on censorship. Motoyama on the other hand deals with sensing that a lost signal condition exists; effectively, there is no "current program" aspect in Motoyama. What the viewer in Motoyama is informed of is the "lost signal" condition. Therefore, Motoyama does not presuppose a "current program [that] is not being showed," but merely reacts anytime a high noise condition is detected.

Examiner's Response

Novak discloses, as shown in section 102 of FIG. 1, capability for switch (11) to output an alternate signal (12) is provided by also inputting alternate signal (12) to a source selection switch (11) which has been arranged to switch its output between the unedited program signal (1) and the alternate signal (12) as commanded.

Application/Control Number:
90/007,733; 90/008,243
Art Unit: 3992

Page 9

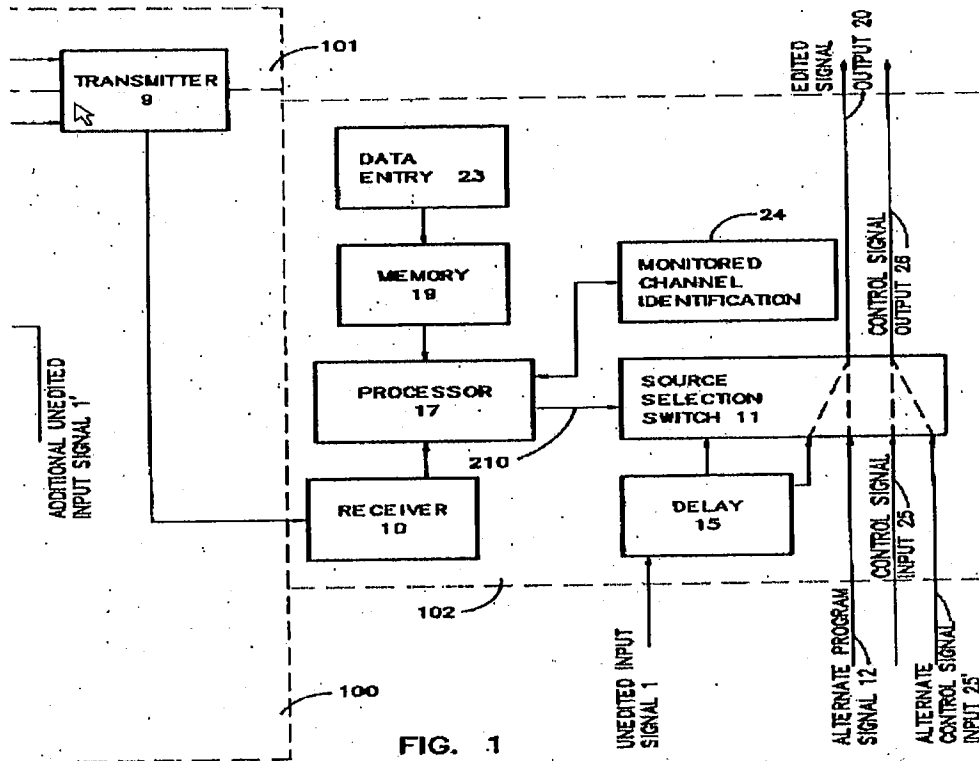


FIG. 1

As shown in the above figure, Alternate Program 12 along with Unedited Input Signal 1 is input into the Source Selection Switch 11. The Examiner agrees with the Patent Owner that the Alternative Program Signal 12 is constantly being input and available to be switch to (or at least input in the same manner as Unedited Input Signal 1 would be inputted).

The Novak patent also discloses that the alternate signal input 12 may in some embodiments comprises a zero value signal, i.e., no signal, such as when it would be desired to replace the portions to be deleted from unedited broadcast signal with no other program material.

Novak Declaration (December 03, 2007)

Application/Control Number:
90/007,733; 90/008,243
Art Unit: 3992

Page 10

The Novak Declaration discloses that his patent teaches that a result of editing the broadcast signal would be a blanked screen. The Novak declaration also acknowledges that the “censored signal” can be the absence of any signal at all.

The Novak declaration states that the '213 patent does not teach or suggest a technique that allows television manufactures to build into the television set itself control circuitry that generates a censoring signal, the content of which, when displayed during periods of censorship, was sure to not confuse users that their television was manufacturing.

Novak discloses that is patent does not disclose incorporate the circuitry of the system in a television. In addition, the patent does not disclose affirmatively displaying any signal during censorship. Instead the patent teaches an embodiment where “no signal” is sent to the display during period of censorship

The Examiner, as previously noted, disagreed with the Novak declaration since the arguments made by Novak was made on the pretext that “local” is defined as not being “within a television set”.

The Examiner notes that as defined by the Vogel Patent, “the alternative material selected during censorship periods can originate from a remote source, for example another television broadcast, or locally, for example from a video disk or tape player. The local source may also be simply a black signal generator.”

The Examiner notes that the only local source of video disclosed by Vogel includes video disk or tape players and black signal generators. The Examiner also notes that Vogel does not disclose the exact location of the black signal generator other than the fact that it is local. The

Application/Control Number:
90/007,733; 90/008,243
Art Unit: 3992

Page 11

Examiner admits that previously (at least with respect to the previous advisory action) he had erroneously included the signal generator to be "within the television set" itself.

The Examiner had previously noted on record that the instant disclosure, as originally filed, does not appear to provide support for a recitation in which the "alternative source of video signal" is recited as being located within a "television set" (see response mailed on October 1, 2007). Thus, contrary to the Patent Owner's statement (page 18 of the response filed on September 25, 2008), claims 3, 6, 7, 16, 19 and 20 should not be construed as within the television set itself. Furthermore, the Patent Owner admits that if the rejection is withdrawn this claim interpretation is unwarranted and unnecessary.

Thus, the Examiner notes that "local" remains as being defined consistent with the disclosed description in Vogel and thus "the alternative material selected during censorship periods can originate [from a remote source, for example another television broadcast, or] locally, for example from a video disk or tape player. The local source may also be simply a black signal generator."

The Examiner relied on this claim interpretation to dispute the Novak declaration since Novak's main argument was based on the fact that the receiver was not included within a television set.

The Examiner agrees that if the claim was narrowly construed to be limited to "within the television set itself" then Novak would fail to anticipate the claim. The Examiner however, did not accord the definition set by the Novak declaration in construing the claims but instead gave the defined definition and interpretation that was consistent with the Vogel Patent.

Application/Control Number:
90/007,733; 90/008,243
Art Unit: 3992

Page 12

In Motoyama, a microprocessor 30 is provided and it produces an alternative video signal in response to a detect signal of switch 22. The alternative video signal is applied from the microprocessor 30 to the video/RGB switch 36 and then through the video//RGB circuitry 38 to the cathode ray tube 40 to visually announce the lost carrier condition. Motoyama discloses the alternate signal is applied when the disable signal is present at switch 22

The Examiner agrees with the Patent Owner that the visual announcement of Motoyama is employed only in response to a noise detect signal.

The Examiner disagrees that it would not have been obvious to use a message/visual announcement system in Novak. However, in view of the arguments presented in the last Interview, the Patent Owner pointed out that with Novak the "Alternative Program Signal 12" is shown to seemingly constantly flow into censorship device 102. There is no discussion in the Novak reference of a signal sent that initiates transmission of Alternative Program Signal 12. Since this Alternative Program Signal 12 in the Novak reference appears to always be being input and available to be switch to, it was agreed that the Alternative Program Signal 12 is more like a constant signal and not one that activates or retrieved based upon a trigger.

Any proposed combination with Novak would require a message to be constantly input into the switch of Novak. In Motoyama a noise detect signal is used to trigger the output of a message. No such detect signal is disclosed by Novak. Instead the processor 17 sends an enabling signal to control the input of source selection switch 11. The alternate source is

Application/Control Number:
90/007,733; 90/008,243
Art Unit: 3992

Page 13

presumed to be in place or ready for output. There is no need to trigger the activation of an alternate source since the alternate source is already present.

Each of the embodiments disclosed by Novak is directed to either displaying an alternative program or a blank screen. The Examiner notes a blank screen is a result of no-signal being sent, that is, nothing will be output. Thus, Novak specifically discloses of not displaying an image and thus does not disclose selecting an alternative video program to be displayed. After further review of Novak it is clear that no disclosure of what this alternate signal other than the signal being a zero value signal, no signal or no other program material is discussed. Thus, there appears to be no visual image that would be displayed. While Motoyoma provides for a message generation feature, this processor is within the television set whereas the editing device of Novak is outside the television set. In addition, the Examiner notes that when properly combined, the microprocessor of Motoyama would have to be constantly fed into the source selection switch. This disclosure/embodiment is not discussed/suggested by either Novak or Motoyama.

The Examiner notes that the combination of Novak and Motoyama fails to render obvious the claimed limitations of providing a locally generated message in combination with the rest of the limitation of the claims. While, local generated messages are well known in the art, the circuitry of Novak prevents the adoption of the messages that are stored as in the system of Motoyama since the system would require a constant feeding of a message to the source selection switch. Such disclosure is neither apparent nor reasonable in view of Novak. While that type of requirement is not disclosed by the claims, it is undoubtedly required if Novak is to be combined with Motoyama for the acceptance of the message of Motoyama.

Application/Control Number:
90/007,733; 90/008,243
Art Unit: 3992

Page 14

In other words Novak does not allow for any displayable content, and its circuit design is evidence of that type of system that would prevent content from being displayed. Novak is designed for the acceptance of zero value signal or the like for the non-displaying of program signals. In combination, the Examiner also notes that the signal present in Motoyama is activated only when there high noise that is cause by no program being received. This will only notify a user of lost of program and not of any other type of detected issue.

Thus, the Examiner agrees with the Patent Owner's argument and will not maintain the rejection of Novak in view of Motoyama.

Secondary Considerations

Thomas E. Coverstone (May 27, 2008)

Discussed the licensing of the '160 Patent to more than thirty-seven companies. Mr. Coverstone stated that all modern-day television that implement V-chip technology do so by delivery a true, locally generated alternate signal (not a different channel or a message transmitted by the TV station) during program censorship.

Mr. Coverstone provides a claim chart equating the claims of the '160 patent to at least 12 infringing devices.

In the May 27, 2008 Patent Owner response, the Patent Owner contends that licenses are often used as evidence of commercial success. The evidentiary value of the licenses depends to a great extent on the nexus between the licenses and the claimed invention.

Application/Control Number:
90/007,733; 90/008,243
Art Unit: 3992

Page 15

The Examiner notes that the Patent Owner acknowledges that in *In re GPAC, Inc.*, the court found that a nexus was not established just because a long list of licenses was presented as evidence of commercial success. The Examiner notes that the provided claim charts attempt to provide the needed nexus.

The Examiner acknowledges to be given substantial weight in the determination of obviousness or nonobviousness, evidence of secondary considerations must be relevant to the subject matter as claimed, and therefore the examiner must determine whether there is a nexus between the merits of the claimed invention and the evidence of secondary considerations. *Ashland Oil, Inc. v. Delta Resins & Refractories, Inc.*, 776 F.2d 281, 305 n.42, 227 USPQ 657, 673-674 n. 42 (Fed. Cir. 1985), cert. denied, 475 U.S. 1017 (1986). The term "nexus" designates a factually and legally sufficient connection between the objective evidence of nonobviousness and the claimed invention so that the evidence is of probative value in the determination of nonobviousness. *Demaco Corp. v. F. Von Langsdorff Licensing Ltd.*, 851 F.2d 1387, 7 USPQ2d 1222 (Fed. Cir.), cert. denied, 488 U.S. 956 (1988).

The Examiner further notes that evidence pertaining to secondary considerations must be taken into account whenever present; however, it does not necessarily control the obviousness conclusion. See, e.g., *Pfizer, Inc. v. Apotex, Inc.*, 480 F.3d 1348, 1372, 82 USPQ2d 1321, 1339 (Fed. Cir. 2007) ("the record establish [ed] such a strong case of obviousness" that allegedly unexpectedly superior results were ultimately insufficient to overcome obviousness conclusion); *Leapfrog Enterprises Inc. v. Fisher-Price Inc.*, 485 F.3d 1157, 1162, 82 USPQ2d 1687, 1692

Application/Control Number:
90/007,733; 90/008,243
Art Unit: 3992

Page 16

(Fed. Cir. 2007) (“given the strength of the prima facie obviousness showing, the evidence on secondary considerations was inadequate to overcome a final conclusion” of obviousness); and *Newell Cos., Inc. v. Kenney Mfg. Co.*, 864 F.2d 757, 768, 9 USPQ2d 1417, 1426 (Fed. Cir. 1988). Office personnel should not evaluate rebuttal evidence for its “knockdown” value against the prima facie case, *Piasecki*, 745 F.2d at 1473, 223 USPQ at 788, or summarily dismiss it as not compelling or insufficient. If the evidence is deemed insufficient to rebut the prima facie case of obviousness, Office personnel should specifically set forth the facts and reasoning that justify this conclusion.

As stated in the previous Advisory Action, since the record had established a strong cause of obviousness with respect to the combination of Novak and Motoyama, the Examiner considered the Patent Owner's submissions under "secondary considerations" but will maintain the rejection in view of the above obviousness disclosure.

The Patent Owner stated that commercial success (with a strong nexus) is among the strongest of the secondary considerations and good evidence of commercial success can even overcome “strong” cases of obviousness. The Patent Owner cited *Simmons Fastener Corp v. Illinois Tool Works, Inc.*, 739 F.2d 1573 (Fed. Cir. 1984).

During the Interview, held on October 16, the Examiner dismissed the cited case since no final decision was made with respect to the "secondary considerations". The Examiner noted that the Federal Circuit case was remanded back to the District Court and the secondary consideration issues was not further discussed since the parties had settled.

Application/Control Number:
90/007,733; 90/008,243
Art Unit: 3992

Page 17

The Patent Owner now refers the Examiner to *In re Piasecki, Alco Standard Corporation v. Tennessee Valley Authority* and *Allen Archery Inc. v. Browning Manufacturing Co.*

However, as per the response regarding the combination of Motoyama and Novak as disclosed above this issue is moot and no further comments will be made. .

STATEMENT OF REASONS FOR PATENTABILITY AND/OR CONFIRMATION

The following is an examiner's statement of reasons for patentability and/or confirmation of the claims found patentable in this reexamination proceeding:

In regards to Chard 4,605,964:

In the request for reexamination filed on September 29, 2006, the Requester stated that "Chard discloses a message display control unit 48 that "includes a character generator and various control circuitry", that generates a video signal locally. The input to the display control unit 48 is not a video signal, and the display control unit 48 is therefore the "source" of the alternative video signal and is local to the receiver.

According to the Chard declaration (July 28, 2006) the content of the teletext originates from and is dictated by the video signal sent to the television set by Transmitter 37.

Previously, the Examiner stated that the teletext decoding circuitry necessarily included character generators for local generating/synthesizing the teletext messages that are displayed.

The Patent Owner contended that "displaying the selected video signal" makes clear that the recited "selected video signal" that is displayed on the video display necessarily encompasses

Application/Control Number:
90/007,733; 90/008,243
Art Unit: 3992

Page 18

the displayable aspects (i.e. content) of that video signal. The Patent Owner states when properly interpreting the claim, the displayable aspects (or content) of the alternative source of video signal are required to originate local to the received station, (emphasis added).

The Examiner notes that the Patent Owner's arguments in combination with the submitted declaration of Frederick W. Chard with respect to '964 Chard Patent that both the received program and alternative video signal (teletext) originate from the same source is persuasive and thus Chard '964 does not anticipate or render obvious the claims.

In regards to Chard '341,

In the Request for reexamination, the Requester states Chard discloses provision of a local alternative video signal such as from a VCR. Specifically Chard discloses video playback apparatus, video game-playing apparatus, or a data display service (teletext or viewdata) could be enabled whenever there is no selected transmission being output, (pages 12-13).

In the Office Action mailed on October 1, 2007, the Examiner acknowledged that Chard '341 indicates that the video signal is simply blanked and more specifically does not teach a step of displaying a "local" alternative source of video in place of the video signal that is blocked. The Examiner further acknowledged that Chard '341 suggested that an alternative configuration was possible in which an alternative video signal source, producing an alternative video signal source, was enabled whenever no selected transmission was being outputted by the system.

"Alternatively, video playback apparatus, video game-playing apparatus, or a data display service (teletext or viewdata) could be enabled whenever there is no selected transmission being output"

Application/Control Number:
90/007,733; 90/008,243
Art Unit: 3992

Page 19

The Examiner again notes herein that on pages 12 to 13, Chard '341 discloses of several alternative embodiments. On page 12, lines 22-page 13, line 3, Chard '341 discloses the activation of a video recorder coupled to the television set. The video recorder runs for the duration of a selected transmission and then stopped based on the code word. The Examiner notes that no further explanation as per this scenarios is further disclosed. The Examiner notes that this appears to be directed to recording selected transmissions and starting and stopping the recording based on code words in the transmissions.

On page 13, lines 4-12, Chard '341, as disclosed above, discloses that when time transmission of a viewdata service is being monitored, selection is effected on the basis of combination of parameters A1 and A2 and video game-playing apparatus can be controlled in the same manner as any other channel so as to be usable only at certain times.

Chard '341 finally discloses "video playback- apparatus, video game-playing apparatus, or a data display service (teletext or videodata) could be enabled whenever there is not selected transmission being output.

However, as previously acknowledged, while Chard '341 allows for a local output of video from "video playback apparatus or video game-playing apparatus" Chard '341 does not disclose that this is enabled i.e. the video playback device or video game-playing apparatus in response to determining, based on the claimed comparison step, that an alternative "local" video source is to be displayed.

Thus, Chard '341 does not disclose in response to comparing the received program classification code with the contents of the memory means, determining that a local video signal should be selected for display.

Application/Control Number:
90/007,733; 90/008,243
Art Unit: 3992

Page 20

In regards to Mori -JP 59-120782:

Mori discloses in one embodiment of a PG code signal being received. If the PG code signal satisfies the level of the PG code signal stored in the memory it reads and deciphers the scramble code and then descrambles the image signal. If the PG code level does not satisfy the level, the microcomputer does not read the scramble code and the specific channel (alternative channel) is selected so that normal image is projected on the television receiver continuously.

The Patent Owner's response, submitted July 28, 2006, states Mori calls for video censoring by way of changing television channels. For example, if a user attempts to tune a television to Channel 2 (and Channel 2 is broadcasting a program deemed unsuitable for viewing), Mori discloses a system that instead tunes the receiver to a different (more suitable) channel.

In addition the Patent Owner states Mori does not disclose the "a local alternative source of video" since Mori discloses a signal source of video signals - the transmitter that transmits a signal collectively consisting of 60 television channels.

The Examiner agrees that Mori does not disclose selecting a "local alternative source of video" to be used but instead discloses of selected a remote source (i.e. a different broadcast channel).

Thus, Mori does not disclose in response to comparing the received program classification code with the contents of the memory means, determining that a local video signal should be selected for display.

Application/Control Number:
90/007,733; 90/008,243
Art Unit: 3992

Page 21

In regards to Novak US Patent 4,750,213:

See the above discussion with respect to Novak and Motoyama.

In regards to Block US Patent 4,484,217:

Block discloses a parental control system in which both tier and category information are stored in memory and compared with received program data. (col. 9, line 60 to col. 10, line 16). The category code is compared to a category code selected by the subscriber through keyboard interface 52 and stored in memory 90. (col. 11, lines 39-44). If the codes do not correspond, a message is displayed on the controller display indicating that the subscriber is not authorized to receive the program. (col. 11, line 59 to col. 12, line 18).

The Patent Owner has argued that Block discloses a set top box and displays content that is not local. In the Patent Owner's response, filed on July 28, 2006, the Patent Owner states Blocks does not disclose a television receiver; it discloses a set-top-box (a.k.a. a "decoder") that can interface with a television. The Patent Owner contends the "wrong category" message generated by Block is not generated *local* (i.e. internal) to the receiving station as required by claims 3 and 6 of the '160 patent. The "wrong category" message in Block is not used as a censoring signal as also required by claims 3 and 6. The Patent Owner states that in the claims, the alternative signal is used to replace the primary signal during periods of censorship. In contrast, Block clearly only indicates that the "wrong category" message is displayed on Display 50, which is the display of the set-top-box, not the video screen.

The Examiner acknowledges that the Block declaration, filed on July 28, 2006, states that his '217 patent discloses that the "wrong category" message generated by the '217 patent is not a

Application/Control Number:
90/007,733; 90/008,243
Art Unit: 3992

Page 22

video signal, but is a text message displayed on a Display 50, which is the display on the set-top box, not on the television set. Mr. Block also noted that "wrong category" signal is not a signal used to censor a program.

Thus, the Examiner notes that Block does not disclose in response to comparing the received program classification code with the contents of the memory means, determining that a local video signal should be selected for display and displaying the selected video signal on a video display means.

In regards to Inagaki US Patent 4,896,354:

In the request for reexamination filed on September 29, 2006, the Requester contends Chard and Inagaki both disclose parental control systems that block a program and display a message from an alternative source - a local character generator. Inagaki describes a system in which the information for the message generated by the character generator is transmitted. The Request also contends that Inagaki also specifically discloses that the message to be displayed can instead be prepared at the receiving side, (col. 6, lines 4-44). In addition, Inagaki discloses that in the channel blocking mode, a locally stored and generated message "BLOCKED" is displayed when the television receiver is tuned to a blocked channel.

The Patent Owner argued in their response filed on December 3, 2007 that in Inagaki, the source of the alternative video signal is remote from the receiving stations. The Patent Owner notes that "Blocked By Center" message is "transmitted form the transmitted side", which clearly is not local to the receiver or alternate to the received video signal.

Application/Control Number:
90/007,733; 90/008,243
Art Unit: 3992

Page 23

The Examiner agrees with the Patent Owner that Inagaki does not disclose displaying a local alternative video based on the claimed comparison step.

Thus, the Examiner notes that Inagaki does not disclose in response to comparing the received program classification code with the contents of the memory means, determining that a local video signal should be selected for display.

In regards to Benjamin US Patent 4,768,229

Benjamin discloses a restrictive access system for parental control in which a local microprocessor control. 18 is employed to generate a video signal containing a message at the receiver based on information available at the receiver when a program is blocked based upon a comparison between a television receiver tuned to a restricted channel and a memory that contains a list of channels to be blocked.

The Examiner notes that Benjamin limits tuning to only designated channels to provide a parental control function. The Examiner further notes that the claim requires "receiving a video signal...", "receiving a program classification code descriptive of said video signal." The Examiner notes that while Benjamin outputs a message, this message is based on block channels and not based on any received video signals or program classification codes that is descriptive of the video signal. Benjamin relates to only allowing or denying access to channels and is not concerned with any program codes.

Application/Control Number:
90/007,733; 90/008,243
Art Unit: 3992

Page 24

Thus, the Examiner notes that Benjamin does not disclose "receiving a video signal...", "receiving a program classification code descriptive of said video signal" and in response to comparing the received program classification code with the contents of the memory means, determining that a local video signal should be selected for display.

In regards to Skerlos US Patent 4,633,297

Skerlos discloses a television system having a teletext decoder that is also used to generate a video signal for on-screen display message pre-stored locally in a page ROM 56 in the television receiver.

The Examiner notes that in Skerlos discloses a teletext processor with ROM for on-screen messages. While it is clear that Skerlos is not directed to censoring any program or the comparison of program codes, Skerlos discloses that it was well known in the art to store on-screen messages locally. The Examiner however, notes that Skerlos was proposed to be used with at least Chard. Chard specifically discloses that the teletext information is sourced from the broadcaster. This information is imperative to the functionality of Chard since it is the broadcaster who determines the programming codes. While local character generators for teletext are used in both Chard and Skerlos, the information that is used for the character generators were derived from a remote source. In addition, there is no suggestion that the "on-screen" messages of Skerlos would provide a local alternative source that would be usable with the censoring system of Chard since the broadcaster has to submit the teletext information.

Application/Control Number:
90/007,733; 90/008,243
Art Unit: 3992

Page 25

In regards to Campbell US Patent 4,536,791:

Campbell discloses a parental control system that includes a text/graphics generator 118 that is used both for viewing of teletext and for display of messages relating to program blocking, as shown in Fig. 12 at 326 and 334. Access codes are stored in memory and compared with transmitted codes. A message is displayed to indicate when a program is blocked. The text/graphics generator 118 is local to the television receiver (see "TO TV" at 134 in Fig. 6). Moreover, one of ordinary skill in the art would have recognized the content of the displayed messages are originated locally, because the system described is a one-way system (see col. 11, line 27 to col. 16, line 14) and the head end would not know what messages to transmit for display in response to various user selections.

The Examiner notes Campbell like Chard discloses receiving teletext data. This data is originally broadcast from a remote source. While text/character/graphics generators are local, the information the generators use are from a remote source and not from a local source. Thus, not local alternative video is displayed on the receiver means.

In regards to Elam US Patent 4,554,584:

Elam discloses an auxiliary circuit for blanking (audio and video) by digital code words transmitted as part of the video signal. The circuit detects and decodes the transmitted code and depending upon the code received, blanks either or both the audio and video signal in the receiver. Elam uses the ASCII codes used to specify the movie rating (G, PG and R) for program material and having the television receiver blank the picture and sound whenever the rating level, based upon the code received, exceeds that selected by the viewer.

Application/Control Number:
90/007,733; 90/008,243
Art Unit: 3992

Page 26

The Examiner notes that Elam discloses a “blanking interface” with the television receiver circuits which perform the video and audio blanking function. Elam notes video blanking was accomplished by simultaneously grounding the voltages from both the brightness control and the contrast control potentiometers.

The Examiner notes that Elam discloses of generating a blanking signal for subsequent audio or video blanking relays. As stated above, Elam discloses video blanking was accomplished by simultaneously grounding the voltages from both the brightness control and the contrast control potentiometers.

Thus, in view of this embodiment no “alternative source of video” is displayed since nothing is displayed, i.e. no video. The Examiner notes that the claims positively recites a video source to be selected for display.

Additionally, the Examiner notes for an alternative embodiment, the Requester acknowledges that although in Elam the received rating is also displayed even when the program is not blocked, it would certainly be obvious to provide the display only when blocking is done since that is when it is most desirable to provide information to the viewer to explain why the program cannot be viewed.

Thus, the Requester acknowledges that Elam does not provide an alternative source of video to be displayed in response to the claimed comparing step. The claims specifically require selecting an alternative local source. The circuitry of Elam blanks the screen and thus does not select or cause to be selected an alternative local video source since no video is displayed. The blanking or no displaying of video is not considered a video source since no video is positively

Application/Control Number:
90/007,733; 90/008,243
Art Unit: 3992

Page 27

displayed. The Examiner notes that while the Vogel Patent discloses of using a "black signal", the Vogel Patent discloses that the black signal as being positively generated and hence video is created using this black signal generator. While the end result of Elam may produce what appears to be a blank/black screen, there is no positive generation of a black/blank signal for output but instead the lack of any **positive generation of video for output**.

In regards to Olivo US Patent 4,888,796:

Olivo discloses a program material screening device in which a "material content signal" ("MCS") is provided to indicate the nature of a program. The MCS can take a wide variety of forms, including tones, a radio signal simulcast, or a telecast independent of transmission of the program signal.

The Olivo Patent further discloses a screening device (8A) detects the simulcast R content signal (3) and prevents the television set (7A) from replaying the movie (1A) from the broadcast signal (1). Thus, while Olivo prevents the displaying of objectionable content by the television set, Olivo does not disclose of selecting for output an alternative local video source for display during the preventing step.

Any comments considered necessary by PATENT OWNER regarding the above statement must be submitted promptly to avoid processing delays. Such submission by the patent owner should be labeled: "Comments on Statement of Reasons for Patentability and/or Confirmation" and will be placed in the reexamination file.

Application/Control Number:
90/007,733; 90/008,243
Art Unit: 3992

Page 28

Conclusion

NOTICE RE PATENT OWNER'S CORRESPONDENCE ADDRESS

Effective May 16, 2007, 37 CFR 1.33(c) has been revised to provide that:

The patent owner's correspondence address for all communications in an *ex parte* reexamination or an *inter partes* reexamination is designated as the correspondence address of the patent.

Revisions and Technical Corrections Affecting Requirements for Ex Parte and Inter Partes Reexamination, 72 FR 18892 (April 16, 2007)(Final Rule)

The correspondence address for any pending reexamination proceeding not having the same correspondence address as that of the patent is, by way of this revision to 37 CFR 1.33(c), automatically changed to that of the patent file as of the effective date.

This change is effective for any reexamination proceeding which is pending before the Office as of May 16, 2007, including the present reexamination proceeding, and to any reexamination proceeding which is filed after that date.

Parties are to take this change into account when filing papers, and direct communications accordingly.

In the event the patent owner's correspondence address listed in the papers (record) for the present proceeding is different from the correspondence address of the patent, it is strongly encouraged that the patent owner affirmatively file a Notification of Change of Correspondence Address in the reexamination proceeding and/or the patent (depending on which address patent owner desires), to conform the address of the proceeding with that of the patent and to clarify the record as to which address should be used for correspondence.

Telephone Numbers for reexamination inquiries:

Reexamination Practice	(571) 272-7703
Central Reexam Unit (CRU)	(571) 272-7705
Reexamination Facsimile Transmission No.	(571) 273-9900

2. The patent owner is reminded of the continuing responsibility under 37 CFR 1.565(a), to apprise the Office of any litigation activity, or other prior or concurrent proceeding, involving Patent No. 4,931,160 throughout the course of this reexamination proceeding. See MPEP §§ 2207, 2282 and 2286.

Application/Control Number:
90/007,733; 90/008,243
Art Unit: 3992

Page 29

3. Extensions of time under 37 CFR 1.136(a) will not be permitted in these proceedings because the provisions of 37 CFR 1.136 apply only to "an applicant" and not to parties in a reexamination proceeding. Additionally, 35 U.S.C. 305 requires that reexamination proceedings "will be conducted with special dispatch" (37 CFR 1.550(a)). Extension of time in *ex parte* reexamination proceedings are provided for in 37 CFR 1.550(c).

4. All correspondence relating to this *ex parte* reexamination proceeding should be directed:

By EFS: registered users may submit via the electronic filing system EFS-Web, at <https://sportal.uspto.gov/authenticate/authenticateuserlocalepf.html>.

By Mail to: Mail Stop *Ex Parte* Reexam
Central Reexamination Unit
Commissioner for Patents
P.O. Box 1450
Alexandria, Virginia 22313-1450

By FAX to: (571) 273-9900
Central Reexamination Unit

By hand: Customer Service Window
Attn: Central Reexamination Unit
Randolph Building, Lobby Level
401 Dulany Street
Alexandria, VA 22314

For EFS-Web transmissions, 37 CFR 1.8(a)(1)(i) (C) and (ii) states that correspondence (except for a request for reexamination and a corrected or replacement request for reexamination) will be considered timely filed if (a) it is transmitted via the Office's electronic filing system in accordance with 37 CFR 1.6(a)(4), and (b) includes a certificate of transmission for each piece of correspondence stating the data of transmission, which is prior to the expiration of the set period of time in the Office action.

Application/Control Number:
90/007,733; 90/008,243
Art Unit: 3992

Page 30

Any inquiry by the patent owner concerning this communication or earlier communications from the Legal Advisor or Examiner, or as to the status of this proceeding, should be directed to the Central Reexamination Unit at telephone number (571) 272-7705.

Ovidio Escalante

Ovidio Escalante
Primary Examiner
Central Reexamination Unit - Art Unit 3992
(571) 272-7537

Conferee:

Miguel Bonanillo

Conferee:

Suebas

**UNITED STATES DISTRICT COURT
CENTRAL DISTRICT OF CALIFORNIA**

NOTICE OF ASSIGNMENT TO UNITED STATES MAGISTRATE JUDGE FOR DISCOVERY

This case has been assigned to District Judge A. Howard Matz and the assigned discovery Magistrate Judge is Stephen J. Hillman.

The case number on all documents filed with the Court should read as follows:

CV09- 5063 AHM (SHx)

Pursuant to General Order 05-07 of the United States District Court for the Central District of California, the Magistrate Judge has been designated to hear discovery related motions.

All discovery related motions should be noticed on the calendar of the Magistrate Judge

=====

NOTICE TO COUNSEL

A copy of this notice must be served with the summons and complaint on all defendants (if a removal action is filed, a copy of this notice must be served on all plaintiffs).

Subsequent documents must be filed at the following location:

Western Division
312 N. Spring St., Rm. G-8
Los Angeles, CA 90012

Southern Division
411 West Fourth St., Rm. 1-053
Santa Ana, CA 92701-4516

Eastern Division
3470 Twelfth St., Rm. 134
Riverside, CA 92501

Failure to file at the proper location will result in your documents being returned to you.

Name & Address:
Gregor A. Hensrude, Esq.
Klinedinst PC
777 S. Figueroa St., 47th Floor
Los Angeles, CA 90017
213-607-2115/FAX 213-607-2116

UNITED STATES DISTRICT COURT
CENTRAL DISTRICT OF CALIFORNIA

Guardian Media Technologies, Ltd.

PLAINTIFF(S)

v.

Proton International America, Inc.

DEFENDANT(S).

CASE NUMBER

CV09-5063 AHM (SHx)

SUMMONS

TO: DEFENDANT(S): _____

A lawsuit has been filed against you.

Within 20 days after service of this summons on you (not counting the day you received it), you must serve on the plaintiff an answer to the attached complaint _____ amended complaint counterclaim cross-claim or a motion under Rule 12 of the Federal Rules of Civil Procedure. The answer or motion must be served on the plaintiff's attorney, Edward E. Casto, Jr., whose address is 5601 Bridge Street, Suite 300; Fort Worth, Texas 76112. If you fail to do so, judgment by default will be entered against you for the relief demanded in the complaint. You also must file your answer or motion with the court.

Clerk, U.S. District Court

JUL 14 2009

Dated: _____

By: Natalie Gargano
Deputy Clerk

(Seal of the Court)

[Use 60 days if the defendant is the United States or a United States agency, or is an officer or employee of the United States. Allowed 60 days by Rule 12(a)(3)].

COPY

<p>I (a) PLAINTIFFS (Check box if you are representing yourself <input type="checkbox"/>) Guardian Media Technologies, Inc.</p>	<p>DEFENDANTS Proton International America, Inc.</p>
<p>(b) Attorneys (Firm Name, Address and Telephone Number. If you are representing yourself, provide same.) Gregor A. Hensrude, Esq.; Klinedinst PC 777 S. Figueroa St., 47th Floor Los Angeles, CA 90017; 213-607-2115</p>	<p>Attorneys (If Known)</p>

<p>II. BASIS OF JURISDICTION (Place an X in one box only.)</p> <p><input type="checkbox"/> 1 U.S. Government Plaintiff <input checked="" type="checkbox"/> 3 Federal Question (U.S. Government Not a Party)</p> <p><input type="checkbox"/> 2 U.S. Government Defendant <input type="checkbox"/> 4 Diversity (Indicate Citizenship of Parties in Item III)</p>	<p>III. CITIZENSHIP OF PRINCIPAL PARTIES - For Diversity Cases Only (Place an X in one box for plaintiff and one for defendant.)</p> <table style="width:100%;"> <tr> <td style="width:30%;">Citizen of This State</td> <td style="width:10%;">PTF</td> <td style="width:10%;">DEF</td> <td style="width:40%;">Incorporated or Principal Place of Business in this State</td> <td style="width:10%;">PTF</td> <td style="width:10%;">DEF</td> </tr> <tr> <td></td> <td><input type="checkbox"/> 1</td> <td><input type="checkbox"/> 1</td> <td></td> <td><input type="checkbox"/> 4</td> <td><input type="checkbox"/> 4</td> </tr> <tr> <td>Citizen of Another State</td> <td></td> <td></td> <td>Incorporated and Principal Place of Business in Another State</td> <td></td> <td></td> </tr> <tr> <td></td> <td><input type="checkbox"/> 2</td> <td><input type="checkbox"/> 2</td> <td></td> <td><input type="checkbox"/> 5</td> <td><input type="checkbox"/> 5</td> </tr> <tr> <td>Citizen or Subject of a Foreign Country</td> <td></td> <td></td> <td>Foreign Nation</td> <td></td> <td></td> </tr> <tr> <td></td> <td><input type="checkbox"/> 3</td> <td><input type="checkbox"/> 3</td> <td></td> <td><input type="checkbox"/> 6</td> <td><input type="checkbox"/> 6</td> </tr> </table>	Citizen of This State	PTF	DEF	Incorporated or Principal Place of Business in this State	PTF	DEF		<input type="checkbox"/> 1	<input type="checkbox"/> 1		<input type="checkbox"/> 4	<input type="checkbox"/> 4	Citizen of Another State			Incorporated and Principal Place of Business in Another State				<input type="checkbox"/> 2	<input type="checkbox"/> 2		<input type="checkbox"/> 5	<input type="checkbox"/> 5	Citizen or Subject of a Foreign Country			Foreign Nation				<input type="checkbox"/> 3	<input type="checkbox"/> 3		<input type="checkbox"/> 6	<input type="checkbox"/> 6
Citizen of This State	PTF	DEF	Incorporated or Principal Place of Business in this State	PTF	DEF																																
	<input type="checkbox"/> 1	<input type="checkbox"/> 1		<input type="checkbox"/> 4	<input type="checkbox"/> 4																																
Citizen of Another State			Incorporated and Principal Place of Business in Another State																																		
	<input type="checkbox"/> 2	<input type="checkbox"/> 2		<input type="checkbox"/> 5	<input type="checkbox"/> 5																																
Citizen or Subject of a Foreign Country			Foreign Nation																																		
	<input type="checkbox"/> 3	<input type="checkbox"/> 3		<input type="checkbox"/> 6	<input type="checkbox"/> 6																																

IV. ORIGIN (Place an X in one box only.)

1 Original Proceeding 2 Removed from State Court 3 Remanded from Appellate Court 4 Reinstated or Reopened 5 Transferred from another district (specify): 6 Multi-District Litigation 7 Appeal to District Judge from Magistrate Judge

V. REQUESTED IN COMPLAINT: JURY DEMAND: Yes No (Check 'Yes' only if demanded in complaint.)

CLASS ACTION under F.R.C.P. 23: Yes No MONEY DEMANDED IN COMPLAINT: \$ According to proof

VI. CAUSE OF ACTION (Cite the U.S. Civil Statute under which you are filing and write a brief statement of cause. Do not cite jurisdictional statutes unless diversity.)

VII. NATURE OF SUIT (Place an X in one box only.)

OTHER STATUTES	CONTRACT	TORTS PERSONAL INJURY	TORTS PERSONAL PROPERTY	PRISONER PETITIONS	LABOR
<input type="checkbox"/> 400 State Reapportionment <input type="checkbox"/> 410 Antitrust <input type="checkbox"/> 430 Banks and Banking <input type="checkbox"/> 450 Commerce/ICC Rates/etc. <input type="checkbox"/> 460 Deportation <input type="checkbox"/> 470 Racketeer Influenced and Corrupt Organizations <input type="checkbox"/> 480 Consumer Credit <input type="checkbox"/> 490 Cable/Sat TV <input type="checkbox"/> 810 Selective Service <input type="checkbox"/> 850 Securities/Commodities/Exchange <input type="checkbox"/> 875 Customer Challenge 12 USC 3410 <input type="checkbox"/> 890 Other Statutory Actions <input type="checkbox"/> 891 Agricultural Act <input type="checkbox"/> 892 Economic Stabilization Act <input type="checkbox"/> 893 Environmental Matters <input type="checkbox"/> 894 Energy Allocation Act <input type="checkbox"/> 895 Freedom of Info. Act <input type="checkbox"/> 900 Appeal of Fee Determination Under Equal Access to Justice <input type="checkbox"/> 950 Constitutionality of State Statutes	<input type="checkbox"/> 110 Insurance <input type="checkbox"/> 120 Marine <input type="checkbox"/> 130 Miller Act <input type="checkbox"/> 140 Negotiable Instrument <input type="checkbox"/> 150 Recovery of Overpayment & Enforcement of Judgment <input type="checkbox"/> 151 Medicare Act <input type="checkbox"/> 152 Recovery of Defaulted Student Loan (Excl. Veterans) <input type="checkbox"/> 153 Recovery of Overpayment of Veteran's Benefits <input type="checkbox"/> 160 Stockholders' Suits <input type="checkbox"/> 190 Other Contract <input type="checkbox"/> 195 Contract Product Liability <input type="checkbox"/> 196 Franchise <input type="checkbox"/> 210 Land Condemnation <input type="checkbox"/> 220 Foreclosure <input type="checkbox"/> 230 Rent Lease & Ejectment <input type="checkbox"/> 240 Torts to Land <input type="checkbox"/> 245 Tort Product Liability <input type="checkbox"/> 290 All Other Real Property	<input type="checkbox"/> 310 Airplane <input type="checkbox"/> 315 Airplane Product Liability <input type="checkbox"/> 320 Assault, Libel & Slander <input type="checkbox"/> 330 Fed. Employers' Liability <input type="checkbox"/> 340 Marine <input type="checkbox"/> 345 Marine Product Liability <input type="checkbox"/> 350 Motor Vehicle <input type="checkbox"/> 355 Motor Vehicle Product Liability <input type="checkbox"/> 360 Other Personal Injury <input type="checkbox"/> 362 Personal Injury-Med Malpractice <input type="checkbox"/> 365 Personal Injury-Product Liability <input type="checkbox"/> 368 Asbestos Personal Injury Product Liability <input type="checkbox"/> 462 Naturalization Application <input type="checkbox"/> 463 Habeas Corpus-Alien Detainee <input type="checkbox"/> 465 Other Immigration Actions	<input type="checkbox"/> 370 Other Fraud <input type="checkbox"/> 371 Truth in Lending <input type="checkbox"/> 380 Other Personal Property Damage <input type="checkbox"/> 385 Property Damage Product Liability BANKRUPTCY <input type="checkbox"/> 422 Appeal 28 USC 158 <input type="checkbox"/> 423 Withdrawal 28 USC 157 CIVIL RIGHTS <input type="checkbox"/> 441 Voting <input type="checkbox"/> 442 Employment <input type="checkbox"/> 443 Housing/Accommodations <input type="checkbox"/> 444 Welfare <input type="checkbox"/> 445 American with Disabilities - Employment <input type="checkbox"/> 446 American with Disabilities - Other <input type="checkbox"/> 440 Other Civil Rights	<input type="checkbox"/> 510 Motions to Vacate Sentence Habeas Corpus <input type="checkbox"/> 530 General <input type="checkbox"/> 535 Death Penalty <input type="checkbox"/> 540 Mandamus/Other <input type="checkbox"/> 550 Civil Rights <input type="checkbox"/> 555 Prison Condition FORFEITURE/PENALTY <input type="checkbox"/> 610 Agriculture <input type="checkbox"/> 620 Other Food & Drug <input type="checkbox"/> 625 Drug Related Seizure of Property 21 USC 881 <input type="checkbox"/> 630 Liquor Laws <input type="checkbox"/> 640 R.R. & Truck <input type="checkbox"/> 650 Airline Regs <input type="checkbox"/> 660 Occupational Safety/Health <input type="checkbox"/> 690 Other	<input type="checkbox"/> 710 Fair Labor Standards Act <input type="checkbox"/> 720 Labor/Mgmt. Relations <input type="checkbox"/> 730 Labor/Mgmt. Reporting & Disclosure Act <input type="checkbox"/> 740 Railway Labor Act <input type="checkbox"/> 790 Other Labor Litigation <input type="checkbox"/> 791 Empl. Ret. Inc. Security Act PROPERTY RIGHTS <input type="checkbox"/> 820 Copyrights <input checked="" type="checkbox"/> 830 Patent <input type="checkbox"/> 840 Trademark SOCIAL SECURITY <input type="checkbox"/> 861 HIA (1395ff) <input type="checkbox"/> 862 Black Lung (923) <input type="checkbox"/> 863 DIWC/DIWW (405(g)) <input type="checkbox"/> 864 SSID Title XVI <input type="checkbox"/> 865 RSI (405(g)) FEDERAL TAX SUITS <input type="checkbox"/> 870 Taxes (U.S. Plaintiff or Defendant) <input type="checkbox"/> 871 IRS-Third Party 26 USC 7609

CV09-5063

FOR OFFICE USE ONLY: Case Number: _____
 AFTER COMPLETING THE FRONT SIDE OF FORM CV-71, COMPLETE THE INFORMATION REQUESTED BELOW.

VIII(a). IDENTICAL CASES: Has this action been previously filed in this court and dismissed, remanded or closed? No Yes
If yes, list case number(s): _____

VIII(b). RELATED CASES: Have any cases been previously filed in this court that are related to the present case? No Yes
If yes, list case number(s): cv08-08439R (Coby); cv09-02733R (Apex) (cases being refiled individually, case numbers not yet assigned)

Civil cases are deemed related if a previously filed case and the present case:

- (Check all boxes that apply) A. Arise from the same or closely related transactions, happenings, or events; or
 B. Call for determination of the same or substantially related or similar questions of law and fact; or
 C. For other reasons would entail substantial duplication of labor if heard by different judges; or
 D. Involve the same patent, trademark or copyright, and one of the factors identified above in a, b or c also is present.

IX. VENUE: (When completing the following information, use an additional sheet if necessary.)

(a) List the County in this District; California County outside of this District; State if other than California; or Foreign Country, in which EACH named plaintiff resides.
 Check here if the government, its agencies or employees is a named plaintiff. If this box is checked, go to item (b).

County in this District:*	California County outside of this District; State, if other than California; or Foreign Country
	Texas

(b) List the County in this District; California County outside of this District; State if other than California; or Foreign Country, in which EACH named defendant resides.
 Check here if the government, its agencies or employees is a named defendant. If this box is checked, go to item (c).

County in this District:*	California County outside of this District; State, if other than California; or Foreign Country
	Los Angeles County, California

(c) List the County in this District; California County outside of this District; State if other than California; or Foreign Country, in which EACH claim arose.
Note: In land condemnation cases, use the location of the tract of land involved.

County in this District:*	California County outside of this District; State, if other than California; or Foreign Country
All, including Los Angeles County	

* Los Angeles, Orange, San Bernardino, Riverside, Ventura, Santa Barbara, or San Luis Obispo Counties

Note: In land condemnation cases, use the location of the tract of land involved

X. SIGNATURE OF ATTORNEY (OR PRO PER):

Dawn Hester

Date 7/13/2009

Notice to Counsel/Parties: The CV-71 (JS-44) Civil Cover Sheet and the information contained herein neither replace nor supplement the filing and service of pleadings or other papers as required by law. This form, approved by the Judicial Conference of the United States in September 1974, is required pursuant to Local Rule 3-1 is not filed but is used by the Clerk of the Court for the purpose of statistics, venue and initiating the civil docket sheet. (For more detailed instructions, see separate instructions sheet.)

Key to Statistical codes relating to Social Security Cases:

Nature of Suit Code	Abbreviation	Substantive Statement of Cause of Action
861	HIA	All claims for health insurance benefits (Medicare) under Title 18, Part A, of the Social Security Act, as amended. Also, include claims by hospitals, skilled nursing facilities, etc., for certification as providers of services under the program. (42 U.S.C. 1935FF(b))
862	BL	All claims for "Black Lung" benefits under Title 4, Part B, of the Federal Coal Mine Health and Safety Act of 1969. (30 U.S.C. 923)
863	DIWC	All claims filed by insured workers for disability insurance benefits under Title 2 of the Social Security Act, as amended; plus all claims filed for child's insurance benefits based on disability. (42 U.S.C. 405(g))
863	DIWW	All claims filed for widows or widowers insurance benefits based on disability under Title 2 of the Social Security Act, as amended. (42 U.S.C. 405(g))
864	SSID	All claims for supplemental security income payments based upon disability filed under Title 16 of the Social Security Act, as amended.
865	RSI	All claims for retirement (old age) and survivors benefits under Title 2 of the Social Security Act, as amended. (42 U.S.C. (g))