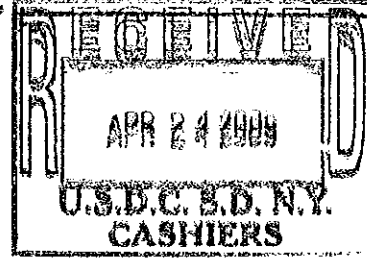


09 CIV 4068

Robert L. Epstein (RE8941)
Epstein Drangel Bazerman & James LLP
60 E. 42nd St. Rm 820
New York, NY 10165
Telephone: (212) 292 5390



Attorneys for Plaintiff Rates Technology Inc.

UNITED STATES DISTRICT COURT
SOUTHERN DISTRICT OF NEW
YORK

-----X
:
RATES TECHNOLOGY INC., :
:
Plaintiff :
:
v. :
:
VIPER INTERNATIONAL LLC, :
:
Defendant :
:
-----X

CASE NO.

**COMPLAINT FOR PATENT
INFRINGEMENT; DEMAND
FOR JURY TRIAL**

Plaintiff Rates Technology Inc. ("RTI"), for its complaint against the defendant,
alleges follows:

1. RTI is a corporation duly organized pursuant to the laws of the State of
Delaware, having its principal place of business at 50 Route 111, Suite 210,
Smithtown, NY 11787.

2. Upon information and belief, Defendant VIPER INTERNATIONAL LLC
("Viper") is a limited liability company organized under the laws of the State of Delaware,

having a regular and established place of business at 25 Braintree Hills Office Park, Suite 200, Braintree, MA 02184.

3. This case is an action for patent infringement arising under the Patent Laws of the United States, as set forth in 35 U.S.C. §§271 and 280 through 285.

4. This Court has jurisdiction over the subject matter of this action with regard to the patent infringement claim under 28 U.S.C. §§1338(a), 1332(a)(1) and 1332(c)(1).

5. On information and belief, Viper transacts business within the State of New York or contracts elsewhere to supply services in the State of New York.

6. On information and belief, Viper committed tortious acts outside the State, causing injury to the Plaintiff herein within the State of New York.

7. On information and belief, Viper regularly conducts and solicits business, and engages in other persistent course of action and derives substantial revenue from services provided within the State of New York, and derives substantial revenue from interstate or international commerce.

8. On information and belief, Viper expected or should reasonably have expected its acts committed to have consequences in the State of New York.

9. Venue is proper before this Court under 28 U.S.C. §§1391(b), 1391(c) and 1400(b).

FIRST CAUSE OF ACTION FOR PATENT INFRINGEMENT

10. RTI repeats and realleges the allegations contained in paragraphs 1 through 9 above, inclusive, as if fully repeated and restated herein.

11. The United States government has duly and legally issued United States Patent No. 5,425,085 (the "'085 Patent"), for inventions relating to routing of telephone calls. A copy of the '085 Patent is attached as Exhibit "1", and the '085 Patent remains valid and enforceable.

12. At all relevant times, RTI has been the lawful owner of the '085 Patent, and has had the right to sue and to recover for any and all infringement(s) of such patent.

13. Upon information and belief, within the six years prior to the filing of this lawsuit, and continuing through the present date, Viper has infringed the '085 Patent within the United States, including without limitation through (a) the building and operation of an Internet telephone system; and (b) the offering for sale and/or sale of telephone services using said system which infringe the '085 Patent (collectively, the "Infringing '085 System and Services"). RTI has a reasonable basis for making the allegations contained in this paragraph, and believes they are likely to have evidentiary support after a reasonable opportunity for further investigation or discovery.

14. Upon information and belief, Viper has therefore infringed the '085 Patent within the United States through the building and operation of its Internet telephone system and the offering for sale and/or sale of telephone services using said system and that its infringement of the '085 Patent has been willful and will continue unless rectified by this Court. RTI has a reasonable basis for making the allegations contained in this paragraph, and believes that they are likely to have evidentiary support after a reasonable opportunity for further investigation or discovery.

15. Upon information and belief, RTI has been damaged by Viper's infringing

activities, and Viper is liable for such damages, in an amount not less than \$10,000,000. RTI has a reasonable basis for making the allegations contained in this paragraph, and believes that they are likely to have evidentiary support after a reasonable opportunity for further investigation or discovery.

16. Viper's wrongful acts have damaged and will continue to damage RTI, irreparably, and RTI has no adequate remedy at law for those wrongs and injuries. The damage to RTI includes harm to it and its products' goodwill and reputation in the marketplace that money cannot compensate. In addition to its actual damages, RTI is therefore entitled to a preliminary and permanent injunction restraining and enjoining Viper and its agents, servants and employees, and all persons acting thereunder, in concert with, or on their behalf, from infringing the '085 Patent, including without limitation restraining and enjoining the building and operation of Viper's Internet telephone system and the offering for sale and/or sale of telephone services using said system which infringe the '085 Patent within the United States. RTI has a reasonable basis for making the allegations contained in this paragraph, and believes that they are likely to have evidentiary support after a reasonable opportunity for further investigation or discovery.

17. RTI gave Viper's parent, Viper Networks, Inc., notice of the infringement alleged herein prior to commencement of this lawsuit. RTI has tried to resolve this matter without litigation, but Viper Networks, Inc. has refused to do so. Thus, Viper forced RTI to file this lawsuit.

SECOND CAUSE OF ACTION FOR PATENT INFRINGEMENT

18. RTI repeats and realleges the allegations contained in paragraphs 1 through 17 above, inclusive, as if fully repeated and restated herein. .

19. The United States Government has also duly and legally issued United States Patent Number 5,519,769 (the " `769 Patent"), also for inventions relating to a method and system for updating a database in a telephone call routing system. A copy of the `769 Patent is attached as Exhibit "2", and the `769 Patent remains valid and enforceable.

20. At all relevant times, RTI has been the lawful owner of the `769 Patent, and has had the right to sue and to recover for any and all infringement(s) of such patent.

21. Upon information and belief, within the six years prior to the filing of this lawsuit, and continuing through the present date, Viper has infringed the `769 Patent within the United States, including without limitation through: (a) the building and operation of its Internet telephone system; and (b) the offering for sale and/or sale of telephone services using said system in the United States (collectively, the "Infringing `769 System and Services"). RTI has a reasonable basis for making the allegations contained in this paragraph, and believes that they are likely to have evidentiary support after a reasonable opportunity for further investigation or discovery.

22. Upon information and belief, Viper has therefore infringed the `769 Patent within the United States by the building and operation of its Internet telephone system and the offering for sale and/or sale of telephone services using said system in the United States: and that its infringement of the `769 Patent has been willful and will continue unless

rectified by this Court. RTI has a reasonable basis for making the allegations contained in this paragraph, and believes that they are likely to have evidentiary support after a reasonable opportunity for further investigation or discovery.

23. Upon information and belief, RTI has been damaged by Viper's infringing activities, and Viper is liable for such damages, in an amount not less than \$10,000,000. RTI has a reasonable basis for making the allegations contained in this paragraph, and believes that they are likely to have evidentiary support after a reasonable opportunity for further investigation or discovery.

24. Viper's wrongful acts have damaged and will continue to damage RTI irreparably, and RTI has no adequate remedy at law for those wrongs and injuries. The damage to RTI includes harm to it and its products' goodwill and reputation in the marketplace that money cannot compensate. In addition to its actual damages, RTI is therefore entitled to a preliminary and permanent injunction restraining and enjoining Viper and its agents, servants and employees, and all persons acting thereunder, in concert with, or on their behalf, from infringing the '769 Patent, including without limitation restraining and enjoining the through the building and operation of the Viper Internet telephone system and the offering for sale and/or sale of telephone services using said system in the United States, which infringe the '769 Patent. RTI has a reasonable basis for making the allegations contained in this paragraph, and believes that they are likely to have evidentiary support after a reasonable opportunity for further investigation or discovery.

25. As noted above, RTI gave Viper's parent, Viper Networks, Inc., notice of the infringement alleged herein prior to commencement of this lawsuit. RTI has tried to resolve

this matter without litigation, but Viper Networks, Inc. has refused to do so. Thus, Viper forced RTI to file this lawsuit.

PRAYER FOR RELIEF

WHEREFORE, RTI prays for judgment against Defendant Viper International LLC as follows:

1. That the '085 Patent be determined enforceable for its life and duration;
2. That the '769 Patent be determined enforceable for its life and duration;
3. That Viper has infringed the '085 and '769 Patents and that such infringement has been willful;
4. That an accounting be had for the damages caused RTI by the infringing activities of defendant, and that such damages, including damages for lost profits and/or a reasonable royalty in an amount not less than \$10,000,000, which sum should be trebled to \$30,000,000 pursuant to 35 U.S.C. §284, with interest thereon, be awarded to RTI;
5. That RTI be granted preliminary and permanent injunctive relief restraining and enjoining defendant and its agents, servants and employees, and all persons acting thereunder, in concert with, or on their behalf, from infringing the '085 and '769 Patents, including without limitation restraining and enjoining the building and operation of the Viper Internet telephone system and/or offering to sell Internet telephone system services within the United States, which infringe RTI's '085 and '769 Patents;
6. That RTI be granted further injunctive relief directing defendant to provide RTI with names and contact information for all persons who purchased from defendant any


Internet telephone system services that infringe RTI's '085 Patent or RTI's '769 Patent within the United States, and to notify each such persons that such system, products and services have been found to be illegal and infringing;

7. That RTI be awarded its attorneys' fees, costs and expenses in this action, pursuant to 35 U.S.C. §285; and

8. That RTI be awarded such further necessary and proper relief as the Court may deem equitable and just.

Dated: April 24, 2009

EPSTEIN DRANGEL BAZERMAN & JAMES, LLP

By: 

Robert L. Epstein, Esq. (RE 8941)

60 East 42nd Street, Suite 820

New York, New York 10165

Tel. No.: (212) 292 5390

Fax. No.: (212) 292-5391

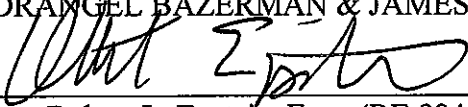
Attorneys for Plaintiff Rates Technology Inc.

JURY TRIAL DEMANDED

Plaintiff, Rates Technology Inc., hereby demands a trial by jury of all issues so triable.

Dated: April 24, 2009

EPSTEIN DRANGEL BAZERMAN & JAMES, LLP

By: 
Robert L. Epstein, Esq. (RE 8941)
60 East 42nd Street, Suite 820
New York, New York 10165
Tel. No.: (212) 292 5390
Fax. No.: (212) 292-5391

Attorneys for Plaintiff Rates Technology Inc.

EXHIBIT 1



US005425085A

United States Patent [19]

[11] **Patent Number:** 5,425,085

Weinberger et al.

[45] **Date of Patent:** Jun. 13, 1995

- [54] **LEAST COST ROUTING DEVICE FOR SEPARATE CONNECTION INTO PHONE LINE**
- [75] **Inventors:** Gerald J. Weinberger, Smithtown; Roger C. Lee, Wading River, both of N.Y.
- [73] **Assignee:** Rates Technology Inc., Smithtown, N.Y.
- [21] **Appl. No.:** 210,670
- [22] **Filed:** Mar. 18, 1994
- [51] **Int. Cl.⁶** H04M 15/00; H04M 7/00
- [52] **U.S. Cl.** 379/112; 379/111; 379/113; 379/114; 379/116; 379/130; 379/131; 379/219; 379/220; 379/221
- [58] **Field of Search** 379/111-116; 379/130-132, 219-221

Primary Examiner—Stephen Chin
Assistant Examiner—Vijay Shankar
Attorney, Agent, or Firm—James & Franklin; Harold James; Robert L. Epstein

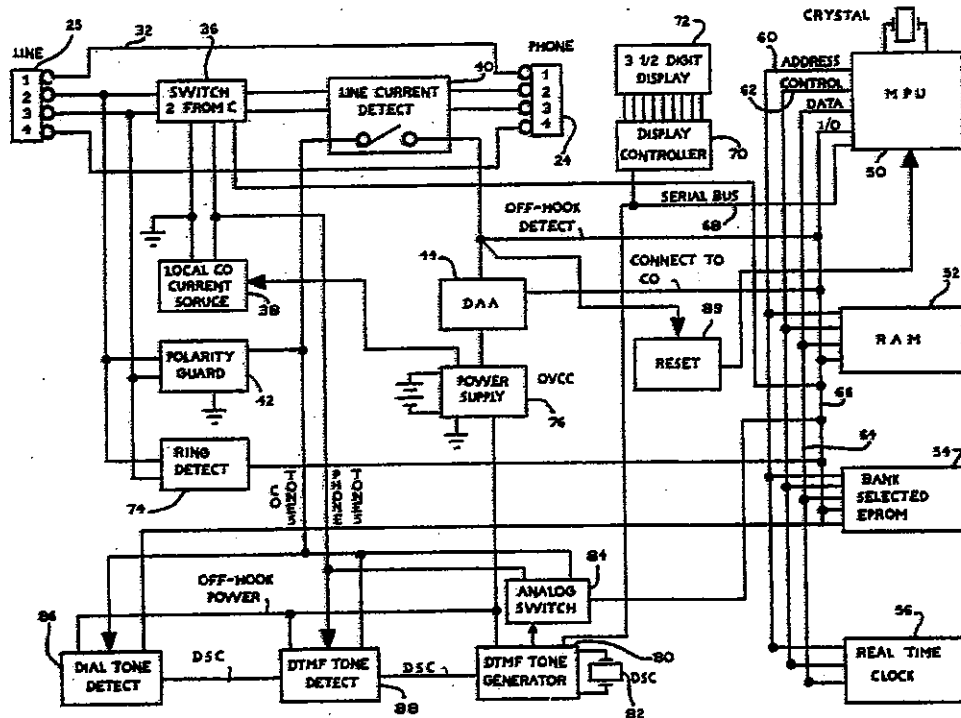
[57] **ABSTRACT**

A device interconnects within the phone line coming from a first phone and routes telephone calls along a least cost route originating from the first telephone to a second telephone via the network. A housing forms an enclosure and has a first jack for interconnection to the phone side of the phone line and a second jack for interconnection to the network side of the phone line. The housing forms an enclosure which includes a switch for disconnecting the first phone from the network. The device generates a source of current through the switch to the first phone corresponding to the amount of current provided by the phone network. A database stores billing rate parameters for determining various communication paths of different carriers based on parameters such as the time and date of the call. Phone calls from the first phone are detected and stored. The database is addressed and a plurality of communication switch paths are identified as well as the cost rate of each path. The cost rates for each identified path are compared to determine a least cost route for the call. The device generates a number sequence corresponding to a desired carrier so that the dialed call is routed through the second jack and phone line to the selected communication path and carrier so as to establish a switched connection between the first and second phones.

[56] **References Cited**
U.S. PATENT DOCUMENTS

4,122,308	10/1978	Weinberger et al.	379/112
4,136,262	1/1979	Clark, Jr.	379/143
4,198,545	4/1980	Haist et al.	379/113
4,209,668	6/1980	Weinberger et al.	379/114
4,410,765	10/1983	Hestad	379/112
4,585,904	4/1986	Mincone	379/131
4,656,657	4/1987	Hunsicker	379/131
4,751,729	6/1988	Treat	379/113
4,813,065	3/1989	Segala	379/112
4,888,822	12/1989	Weinberger et al.	379/130
4,935,956	6/1990	Hellwarth	379/114
5,163,042	11/1992	Ochiai	379/220

26 Claims, 6 Drawing Sheets



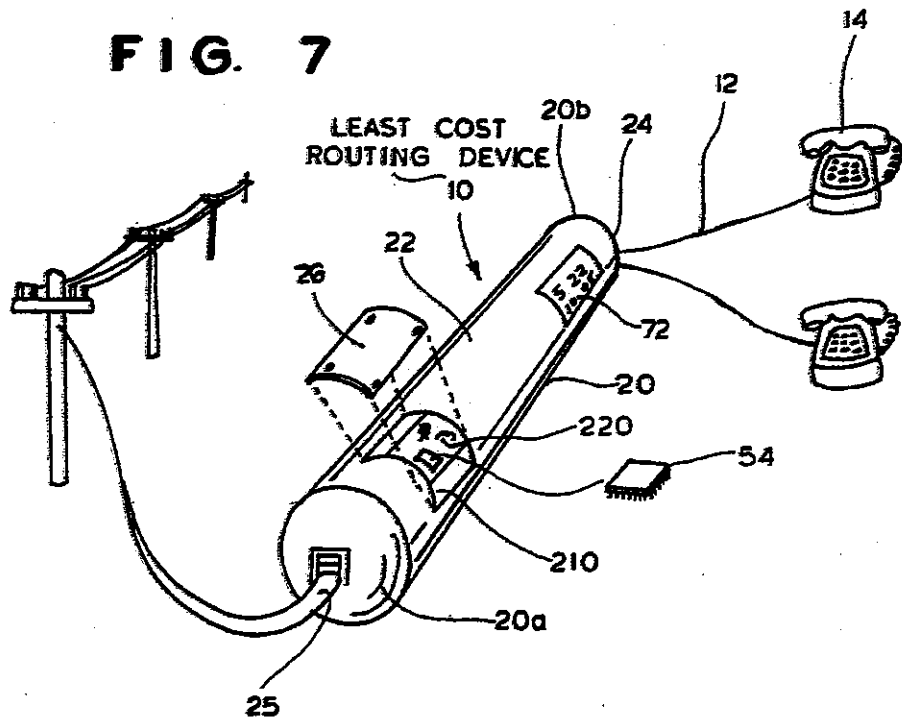
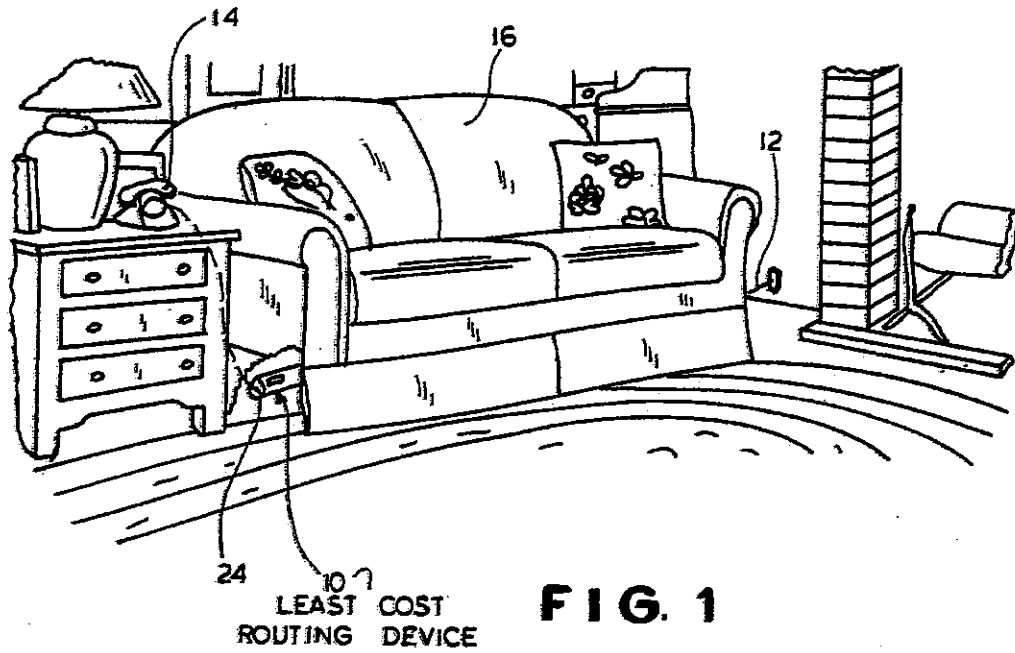
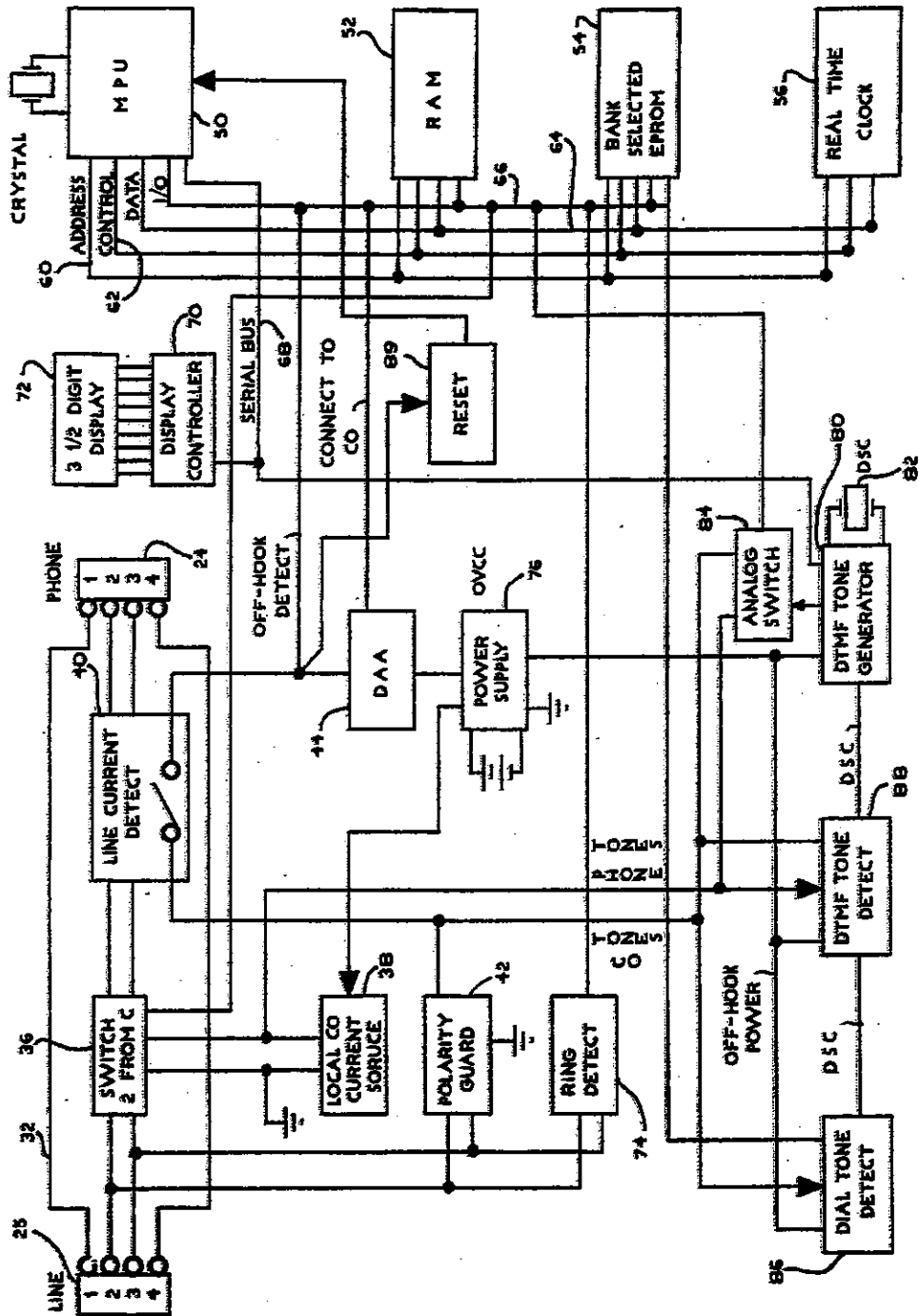


FIG. 2



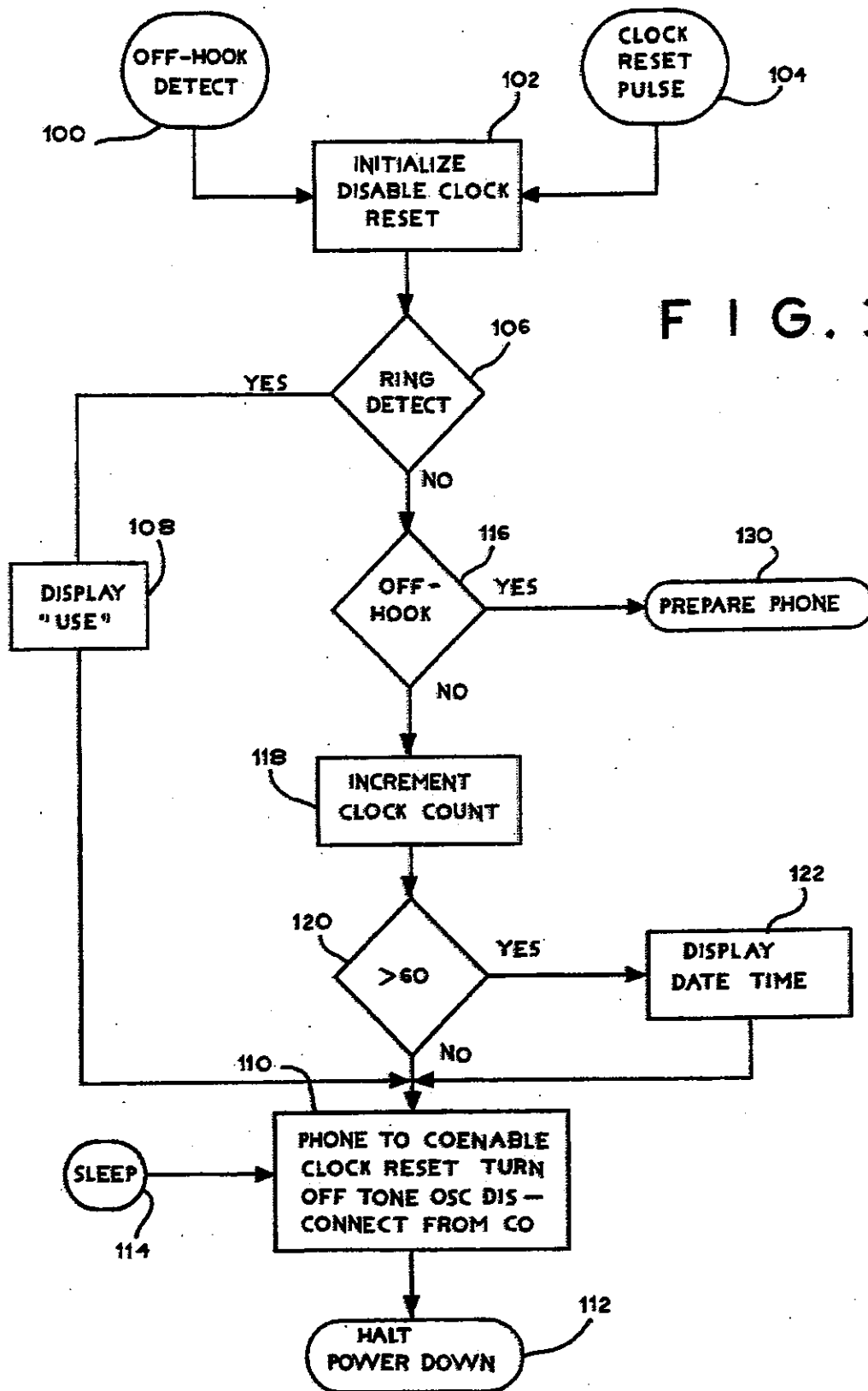


FIG. 3

FIG. 4

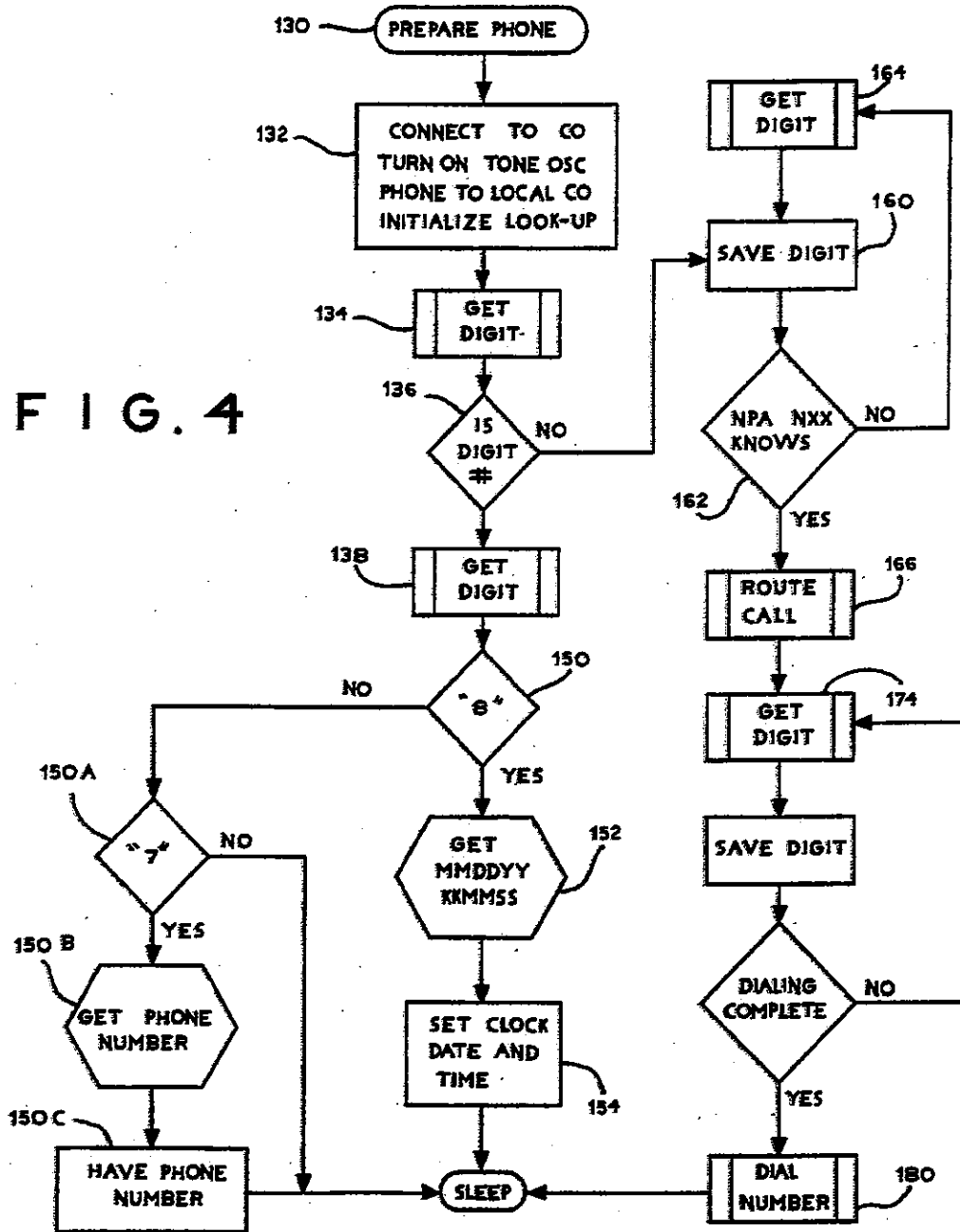


FIG. 4A

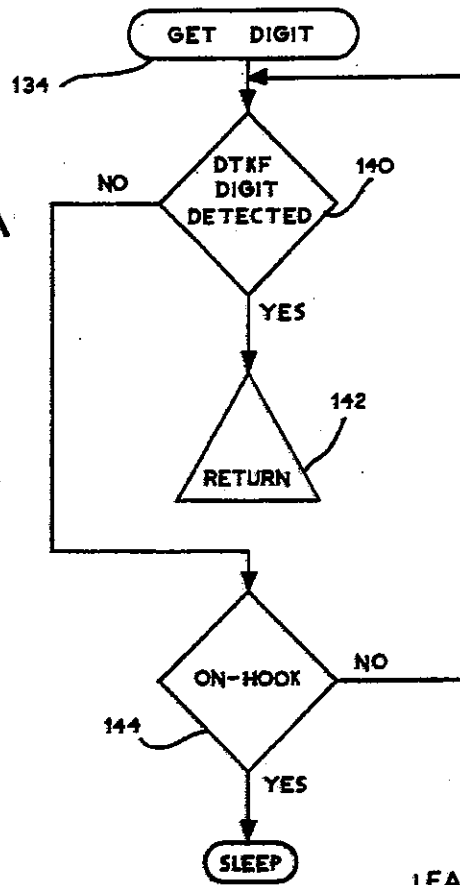
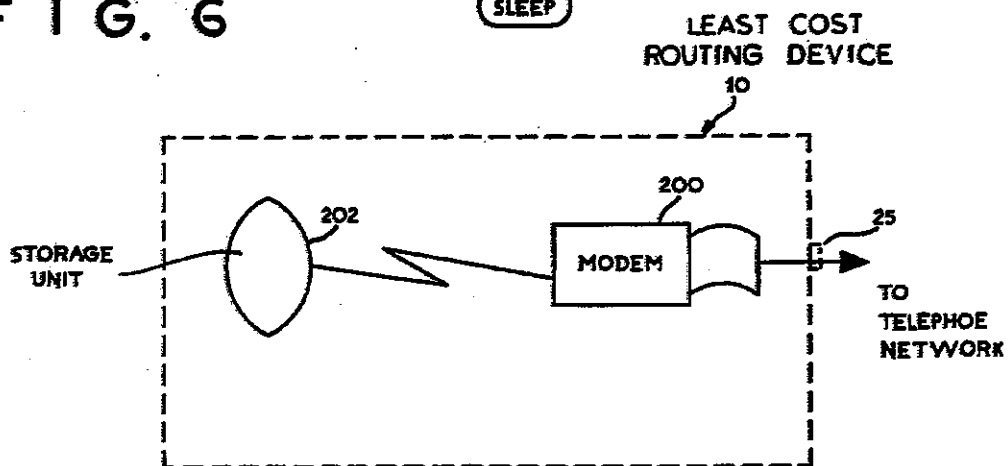


FIG. 6



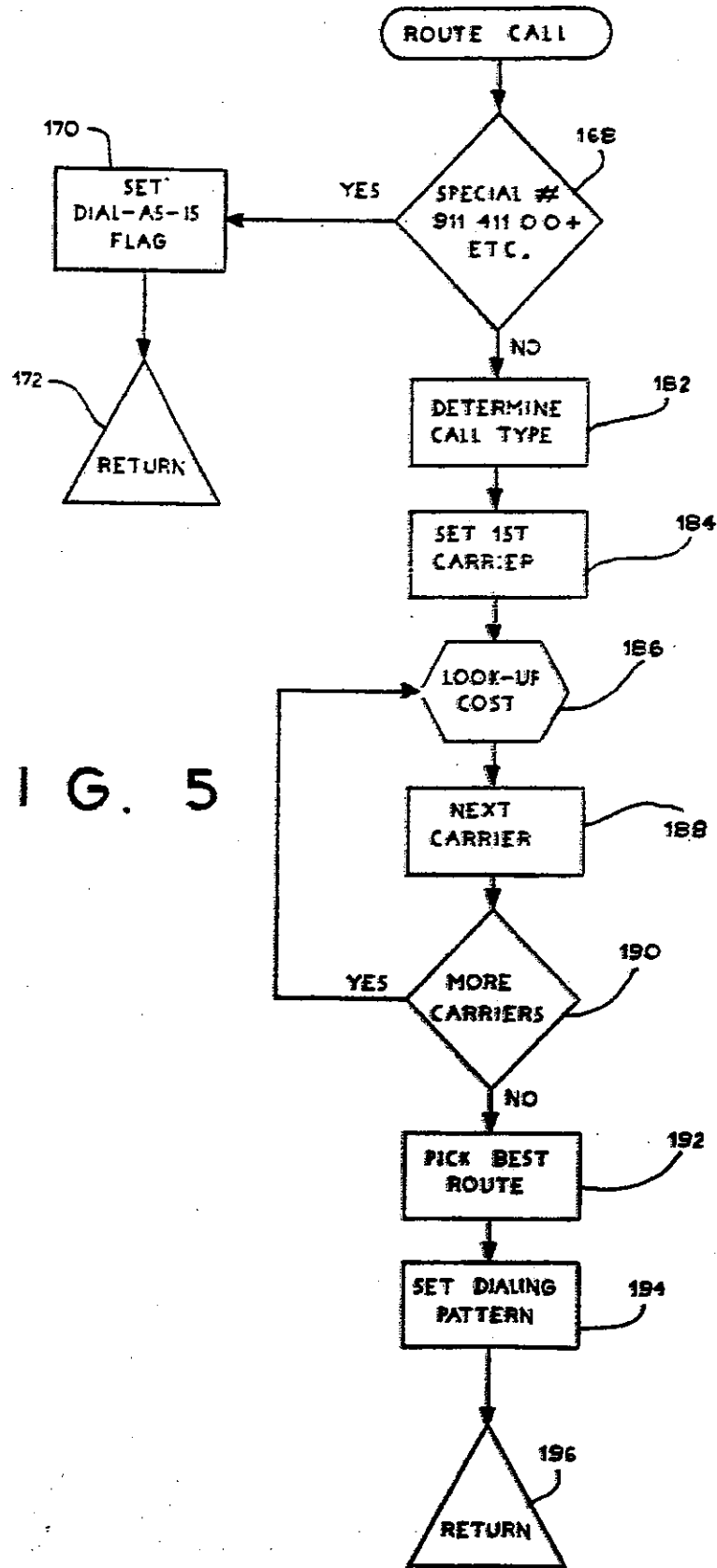


FIG. 5

5,425,085

1

LEAST COST ROUTING DEVICE FOR SEPARATE CONNECTION INTO PHONE LINE

FIELD OF THE INVENTION

This invention relates to a device which can be connected directly into the phone line for routing phone calls made from a first phone along the least cost path of the telephone network to a second phone.

BACKGROUND OF THE INVENTION

The advent of numerous local and long distance telephone carriers has resulted in a wide selection of different carriers which have different telephone cost rates depending on the time of day, the number of phone calls, the location of a calling party and other factors. Typically, a consumer chooses one carrier, and maintains that carrier account for all long distance calling needs, and in some instances for local calls also. With increased competition among interstate, intrastate, interlata and intralata phone carriers, a caller could save money if different carriers are chosen for each particular phone call to a particular destination.

It has been known to design complex phones that route calls along selected switching points via selected tie lines to establish a least cost route. For example, U.S. Pat. No. 4,122,308 to Weinberger et al. discloses such a device. It has been found, however, that many consumers are unwilling to purchase a complex telephone device in substitution for the phone already used in the home. Typically, consumers buy a phone for aesthetic or economic reasons. Consumers have been found unwilling to purchase complex phone equipment in lieu of phones already purchased which are more simple, smaller and aesthetically pleasing to the eye.

SUMMARY OF THE INVENTION

One of the features of the present invention is a device that may be connected within the phone line separate and apart from the telephone and which routes telephone calls along a least cost route originating from a first telephone through the telephone network to a second telephone.

Another feature of the present invention is a device that can be connected directly within the telephone line originating from a first telephone and can be hidden from view such as behind a furniture piece.

Another feature of the invention is a device for routing telephone calls along a least cost route that can be quickly attached and detached from the telephone line such as by telephone jacks.

In accordance with the present invention, the device routes telephone calls along a least cost route originating from the first telephone through the telephone network to a second telephone. As is conventional, the network has a plurality of alternate communication switch paths corresponding to different carriers which can be chosen to route the call.

A housing forms an enclosure and has jacks mounted on the housing for interconnection to the phone line. A first jack interconnects to the phone side of the phone line and a second jack interconnects to the network side of the phone line. The device components are contained in the enclosure and includes a switch which operatively connects to the first jack for disconnecting the first phone from the network. A current source is generated through the switch to the first phone and corresponds to the current provided by the phone network at

2

the central office. A database stores billing rate parameters for determining a least cost communication path based on the least cost routing parameters, which could include such parameters as the time and date of the call.

Means is operatively connected to the switch for detecting and storing a dialed phone number originating from the first phone. The database is addressed for identifying a plurality of communication switch paths to the dialed number as well as the cost rate of each path. The cost rate of each path is compared to determine a least cost route for the call. A tone generator is connected to the switch means and the second jack and generates a number sequence corresponding to the desired carrier so that the dialed call is routed through the second jack and phone line to the selected communication carrier so as to establish a switched connection between the first and second phones.

When a call is incoming, the switch connects the first phone to the network. An internal power supply provides power to the current generating means. In one aspect of the invention, the means generating the number sequence is a dual tone multifrequency generator that generates the necessary tones to the central office for establishing the least cost route. The detecting means includes, but is not limited to a dual tone multifrequency detector for detecting tones sent by the first phone.

The housing may be a number of different configurations. In one embodiment it is substantially cylindrical with opposing ends. The first jack is positioned on one end and the second jack is positioned on the other end.

In another aspect of the invention, the database is updated with a current billing rate schedule. In one aspect of the invention the update means includes a circuit board mounted within the enclosure, and the database is contained on a removable chip positioned on the circuit board. The housing may include a removable cover for accessing the chip on the circuit board to replace it with an updated chip. In still another aspect of the invention, the device includes a modem for receiving signals through the telephone line and downloading updated information to the database.

In still another aspect of the invention, a display is mounted on the housing and visibly displays the time and date. The time and date display receives a predetermined dial sequence from the first phone corresponding to a predetermined date and time to be displayed. After receiving the predetermined dial sequence, the display time and date is changed based on the received signals. In some designs, the date and time display can also be changed manually.

DESCRIPTION OF THE DRAWINGS

The foregoing advantages and features of the present invention will be appreciated more fully from the following description, with reference to the accompanying drawings in which:

FIG. 1 is an environmental view showing the device in accordance with the present invention positioned behind a sofa in a household.

FIG. 2 is a block diagram of the overall circuit used in the device of the present invention.

FIG. 3 is a flow chart depicting the initializing of the device and flow of an incoming call to the phone.

FIG. 4 is a flow chart depicting the routine for changing the display and dialing the codes for least cost routing in accordance with the present invention.

5,425,085

3

FIG. 4A is a flow chart illustrating the routine for obtaining digits for a least cost route.

FIG. 5 is a flow chart of a subroutine in the flow chart of FIG. 4 showing a database look-up routine.

FIG. 6 is a block diagram of the device with a modem.

FIG. 7 is a isometric view of one design of the device showing a cover that has been removed for accessing the chip to update the database.

DETAILED DESCRIPTION OF THE INVENTION

Referring now to FIG. 1, the device 10 of the present invention is shown connected or "plugged" into the phone line 12 of a first telephone 14 in the environment of a household 15 and positioned out of sight behind a sofa 16. As evident, the device of the present invention is advantageous because it can be readily connected within the phone line 12 and hidden from view without purchasing a new phone. Many consumers select phones based on aesthetic and economic reasons, and some consumers are unwilling to spend large sums for complex and unwieldy phones.

As shown in FIGS. 1 and 7, the device 10 includes a housing 20 which forms an enclosure 22. In the illustrated embodiment, the housing 20 is cylindrically configured with two opposing ends 20a, 20b. Although the cylindrical configuration is illustrated, any configuration can be used depending on the designer's choice and purchaser's desire. It is even possible to design the device 10 to be an ornament that can rest on a table or other readily visible place. A cylindrical configuration for the housing 20 has been found easy to mold and relatively inexpensive. As shown in the drawings, the housing includes a first jack 24 for connecting "plugging" to the phone side of the phone line 12 and a second jack 25 for connection or "plugging" to the network side of the phone line.

The electronic components forming the device 10 are mounted within the enclosure, typically on a circuit board as shown in FIG. 7. The housing can be designed with a removable cover 26 (FIG. 7) to access the components, or a removable end where the circuit board can be slid outward to access any components.

Referring now to FIG. 2, the basic components used in the device of the present invention are shown in the block diagram. As noted before, the second phone jack 25 has one line 32 connecting to the first phone jack 24 positioned on the other end of the cylindrically configured housing. The phone jack 25 connects to a switch 36, referred to as a 2 Form C switch, which switches the phone off the network to the other components contained in the device. The switch 36 connects to a "local CO (central office)" current source 38 which generates a current corresponding to the current supplied by the central office of the network. The switch 36 connects and disconnects the phone from the network into the current source 38, which in turn supplies a current to the phone equivalent to the current supplied by the central office of the network. The switch 36 also connects to a line current detector 40 (off-hook detector) which detects an off-hook or on-hook state of the phone. A combination polarity guard 42 and Direct Access Arrangement 44 (DAA) interfaces and allows communication to the network. The line current detector can be formed from numerous types and brands of device. One available device is a teltone M949 device.

4

The controller for the device 10 includes the standard components of a microprocessor including a micro-processing unit 50 (MPU) such as a Toshiba TMPZ 84C011 and a RAM chip 52 such as a generic chip sold by Hyundai under the designation HY6116. A bank selected Eprom 54 for storing the database is also included and can be a generic Eprom chip such as a Toshiba TC574000 chip with more Eprom than the microprocessor can directly address. A real time clock 56 maintains the proper time and provides signals for controlling the device. An example of a clock chip which can be used for the device is an Epsom RTC62421B chip. The microprocessing unit 50 includes the conventional address, control, and data buses 60, 62, 64 and an input output bus 66.

A serial bus 68 connects from the MPU 50 to a display controller 70 which controls a 3½ digit display 72. The 3½ digit display 72 displays the time and date and is positioned on the outside of the housing where it can be readily read. A ring detect circuit 74 is interconnected to the input-output bus and the incoming line jack 30 and detects the ringing of the phone. A power supply 76 is also included and provides the current for the local CO current generator 38. In the present invention, power can be generated from the phone company when the first phone is "off-hook", or generated from the battery when the first phone is "on-hook".

Once a minute the device will update the date and time on the display 72 and then revert to a passive state also known as the "sleep" state. It is not possible to draw power for the device 10 from the phone company in an "on-hook" condition. Therefore, the power supply 76 provides power once a minute to change the display 72 to a new setting. A DTMF (dual tone multi-frequency) tone generator 80 includes a crystal oscillator 82 which together generate the tone frequencies necessary to generate the tones for the dialing sequences. An analog switch 84 allows switching to either the-phone or the network. The dial tone detect circuit 86 connects to the line coming from the polarity guard 42 and connects to the line detector 40. The DTMF tone detector 88 detects the tones generated from the first phone. The reset circuit 89 allows for resetting the entire circuit from a begin point.

Referring now to FIGS. 3-5, there are illustrated flow charts depicting the operation of the device in accordance with the present invention. The steps are enumerated beginning with the numeral 100 and follow through with sequential even numbers in most cases.

Initially, as shown in FIG. 3, in step 100 the device detects an "off-hook" condition for the first phone, such as when the handle is raised from the cradle of a phone. The device is initialized in step 102 and the clock reset is disabled. The initializing step 102 can also occur when the reset occurs such as a startup in step 104. Thus, it is evident that a reset occurs in two conditions: 1) when the phone goes "off hook" or 2) when the real time clock emits a pulse (such as once a second) for setting the clock.

In step 106 the ring detect circuit 74 detects if there is a ring. If a ring is detected, the word "USE" in step 108 is displayed on the 3½ digit display 72 corresponding to the device 10 being in use. The phone remains connected by the switch 36 to the central office network and the DTMF tone oscillator and generator 80, 82 operation are terminated. The power is shut down in step 12 of the device to allow communication between the first phone and the second phone, who was the

5,425,085

5

calling party in this instance. The device 10 has gone into a passive mode also referred to as a "sleep mode" in step 14.

If during initialization in step 106 the ring detector did not detect a ring, the device 10 then checks for an off-hook condition in step 16. If there is no off-hook condition, then the device is restarting such as from a clock pulse. The clock count is incremented in step 118. If the clock count is greater than 60 seconds in step 120, then the display controller 70 displays a new date and time on the $3\frac{1}{2}$ digit display 72 in step 122. If the count is not greater than 60 seconds then the phone remains connected to the central office (phone network) in step 110 and the phone has gone into a passive mode in step 112.

If the off-hook condition is sensed in step 106, the phone is prepared in step 130, i.e., the device is prepared to receive DTMF tone signals from the first phone (FIG. 4). In this step the device 60 connects to the central office (phone network) in step 132 and the DTMF tone generator 80, 82 is set to the "on" position. The first phone is connected via the switch 36 to the local central office, i.e., the local current source 38, to generate a current through the switch to the jack 34 and to the first phone. Additionally, in step 132, the device is initialized to begin the lookup routines in the database.

The caller at the first phone then dials a number and the device 10 enters a subroutine known as "get digit" in step 134 (FIG. 4A). The DTMF tone detector 88 detects each digit as it is called. If the digit is a "pound sign" ("#") in step 136, then the device is initialized to prepare the date and time on the display 72. Although the "pound sign" is illustrated as the initial sequence code for settling the time and date, it is readily apparent that any sequence of codes can be used as long as the code is not the beginning of a telephone number.

If the digit is a "pound sign", the "get digit" subroutine is followed once again in step 138. The "get digit" subroutine is shown in greater detail on the left side of FIG. 4. A DTMF digit is detected in step 140 and the routine then returns in step 142 to the mainflow chart. If the digit is not detected, a test is made to see whether the first phone current is on hook in step 144. If the first phone is not on hook the subroutine continues to detect digits. If the first phone is on hook, then the device goes into "sleep" or passive mode.

If the numeral 3 is detected in step 150, corresponding to the letter D, then the DTMF tones following are input as the date, such as the month, day and year, as well as the time, such as the hour, minute and seconds in that order in step 152, and displayed on the $3\frac{1}{2}$ digit display in step 154. The device then routes into the passive "sleep" mode. If the numeral "3" was not detected in step 150 the device then routes into the sleep mode, or could implement other special functions indicated by the digit, e.g. (test modes). For example, if the number "7" is detected (step 150A) for the phone, corresponding to the letter "P", the telephone number for the device is obtained (step 150B), and saved (step 150C). Typically, this routine can be started by the caller pressing the pound (#) key, and the number being stored as NPA NXX XXXX.

If the pound sign was not detected in step 136, the detected digit is saved in step 160 and the detected digits are then analyzed in step 112 to determine if the area code and exchange (the NPA NXX) are known in step 12. If they are not known, the get "digit routine" is

6

repeated in step 14 until the NPA NXX code is known. The call is then routed in step 16 in a route call routine, which is set forth in FIG. 5. The device distinguishes from the dialed digit if an area code (NPA) has been dialed. If the NPA has not been dialed, this device uses the NPA from the data specified for the device location.

As shown in FIG. 5, the device 10 initially determines whether the area code and exchange digits known are in a special category in step 168 such as 911, 411, 800, or 900 numbers. If the dial routine is a special number, the telephone signal is flagged in step 170 and returned to the main routine where further digits such as the last four digits of the phone number are obtained and received in step 174. The digits are saved in step 176 and the dialing is completed in step 178. The number is then dialed in step 180 and the device routes into the passive or sleep mode and the call completed. If the dialing is not complete, then the get digit routine is repeated until all digits from the telephone number are obtained.

If the number in step 168 is not a special number (FIG. 5), the call type is determined in step 182, e.g. if the call is local, interlata, intralata, interstate or a combination thereof. In step 284 the first carrier is set and the cost is looked up in the database in step 186. The next carrier is then set in step 188. If there are more carriers in step 190, the look up cost is repeated until all carriers are exhausted. In step 192 the best carrier is picked and the dialing pattern set in step 194. The sequence is then returned in step 196 to the route call routine of step 166.

Because the rates among different carrier may change monthly, or even daily and weekly depending on circumstances, the database may be updated. In one embodiment, the database can be downloaded through a modem 200 (FIG. 6) to a storage unit 202. However, this method will require additional components such as a modem.

In another embodiment, the Eprom chip containing the database is removed, such as by accessing the chip through an opening 210. Once the chip is removed, another updated chip is substituted and the housing cover 26 replaced on the device 10. In an alternative embodiment, an end can be removed, and the entire circuit board 220 holding the components slid outwardly to expose the chips to be replaced. Once any chips are replaced, the circuit board can be slid back into the housing.

The device 10 of the present invention is advantageous over prior art call metering devices that are incorporated within the phone itself. The device of the present invention can be connected into the phone line coming from a phone and easily hidden from view or placed in an inconspicuous location, and a consumer does not have to purchase anew phone. Basic micro-processor and other circuits are used and can be contained in an attractive housing, and the date and time can be easily set by the keypad of a standard telephone. Additionally, in some instances, the determined cost of a phone call may be given a bias for preference to a given carrier. For example, if a first carrier is no greater than 5% additional cost than a second carrier, that first carrier may be given a preference.

It is to be understood that the above description is only one embodiment of the invention. Numerous other arrangements may be devised by one skilled in the art without departing from the spirit and scope of the invention.

That which is claimed is:

5,425,085

7

1. A device for routing telephone calls along a least cost route originating from a first telephone to a second telephone having an associated telephone number via a network having a plurality of alternate communication switch paths corresponding to different carriers which can be chosen to route the call and normally providing a current to said first telephone when said first telephone is in use, comprising

a housing forming an enclosure and comprising first jack means for connection to said first telephone and second jack means for connection to said network

switch means operatively connected to said first jack means for disconnecting said first telephone from said network,

means operatively connected to said switch means for generating a current through said switch means to the first telephone, corresponding to a current provided by said network,

database means for storing billing rate parameters for determining a least cost communication path for call corresponding to said telephone number,

means operatively connected to said switch means for detecting and storing said telephone number originating from the first telephone,

means for addressing said database means for identifying a plurality of communication switch paths to said second telephone and the cost rate of each path,

means for comparing the cost rate of each path so as to determine a least cost route, and

means operatively connected to said switch means and said second jack means for generating a number sequence corresponding to a desired carrier so that said call is routed through said second jack means to the selected communication path and carrier to establish a switched connection between said first telephone and said second telephone phone.

2. The device according to claim 1 wherein said least cost communication path parameters include the time and date of the call.

3. The device according to claim 1 wherein said switch means connects said first telephone to said network during an incoming call.

4. The device according to claim 1 including an internal power supply connected to said means for generating a current.

5. The device according to claim 1 wherein said means for generating said number sequence comprises a dual tone multifrequency generator.

6. The device according to claim 1 wherein said housing is substantially cylindrical with opposing ends, wherein said first jack means is positioned on one end and said second jack means is positioned on the opposite end.

7. The device according to claim 1 wherein said detecting means includes a dual tone multifrequency detector.

8. The device according to claim 1 including means for maintaining the time and date so as to determine the least cost route based on the time and date of the call.

9. The device according to claim 1 wherein said cost may be given a bias for preference to a given carrier.

10. The device according to claim 1 including means for updating said database means with a current billing rate schedule.

11. The device according to claim 10 wherein said update means includes a circuit board mounted inside

8

said enclosure, and said database means comprises a removable chip on said circuit board, and means for accessing said removable chip from outside said housing.

12. The device according to claim 11 wherein said means for accessing said removable chip includes a removable cover on said housing for accessing said chip.

13. The device according to claim 10 wherein said update means includes a modem for receiving signals through said telephone line and downloading the update information.

14. A device for routing telephone calls along a least cost route originating from a first telephone to a second telephone having an associated telephone number via a network having a plurality of alternate communication switch paths corresponding to different carriers which can be chosen to route the call and normally providing a current to said first telephone when said first telephone is in use, comprising

a housing forming an enclosure and comprising first jack means for connection to said first telephone, and second jack means for connection to said network, means positioned on said housing for visibly displaying the time and date,

switch means operatively connected to said first jack means for disconnecting said first telephone from said network,

means operatively connected to said first jack means for disconnecting said first telephone from said network,

means operatively connected to said switch means for generating a current through said switch means to said first telephone corresponding to said current provided by said network,

means operatively connected to said time and date display means and said switch means for receiving a predetermined dial sequence from said first telephone corresponding to a predetermined date and time to be displayed and means for changing the displayed time and date based on the received signals,

database means for storing billing rate parameters for determining a least cost communication path for a call corresponding to said telephone number, based on such factors as the time and date of the call,

means operatively connected to said switch means for detecting and storing said telephone number originating from the first telephone,

means for addressing said database means for identifying a plurality of communication switch paths to said second telephone and the cost rate of each path,

means for comparing the cost rate of each path so as to determine a least cost route, and means operatively connected to said switch means and said second jack means for generating a number sequence corresponding to a desired carrier so that said call is routed through said second jack means to the selected communication path and carrier to establish a switched connection between said first telephone and said second telephone.

15. The device according to claim 14 including means positioned on said housing for manually changing the date and time of the display.

16. The device according to claim 14 wherein said means for generating said number sequence comprises a dual tone multifrequency generator.

5,425,085

9

10

17. The device according to claim 14 wherein said housing is substantially cylindrical with opposing ends, wherein said first jack means is positioned on one end and second jack means is positioned on the other end.

18. The device according to claim 14 wherein said detecting means includes a dual tone multifrequency detector.

19. The device according to claim 14 including means for updating said database means with a current billing rate schedule.

20. The device according to claim 19 wherein said update means includes a circuit board mounted inside said enclosure, and said database means comprises a removable chip on said circuit board, and means for accessing said removable chip from outside said housing.

21. The device according to claim 20 wherein said means for accessing said removable chip includes a removable cover on said housing for accessing said chip.

22. The device according to claim 19 wherein said update means includes a modem for receiving signals through said telephone line and downloading the update information.

23. The device according to claim 14 wherein said cost may be given a bias for preference to a given carrier.

24. An apparatus for displaying a time quantity which can be initiated from a telephone of the type capable of generating dual tone multifrequency signals comprising

a housing forming an enclosure and comprising first jack means for interconnection to said telephone, and second jack means for connection to a telephone switching network, said network normally providing a current to said telephone when said telephone is in use, means positioned on said housing for visibly displaying a time quantity,

switch means operatively connected to said first jack means for disconnecting said telephone from said network,

means operatively connected to said switch means for generating a current through said switch means to said telephone corresponding to said current provided by said network,

means operatively connected to said means for displaying a time quantity and said first jack means for receiving said dual tone multifrequency signals, from said telephone when said telephone is disconnected from said network, said signals corresponding to said time quantity and for changing the displayed time quantity based on signals from said telephone, and means responsive to a dialing sequence originating on said telephone and operatively connected to said switch means for connecting said telephone to said network.

25. The apparatus according to claim 24 wherein said time quantity is the time of day.

26. The apparatus according to claim 24 wherein said time quantity is the date.

* * * * *

35

40

45

50

55

60

65

UNITED STATES PATENT AND TRADEMARK OFFICE
CERTIFICATE OF CORRECTION

PATENT NO. : 5,425,085

DATED : June 13, 1995

INVENTOR(S) : Gerald J. Weinberger, et al.

It is certified that error appears in the above-identified patent and that said Letters Patent is hereby corrected as shown below:

Col. 8, line 29-31, please delete "means operatively connected to said first jack means for disconnecting said first telephone from said network,".

Signed and Sealed this
Seventh Day of November, 1995

Attest:



BRUCE LEHMAN

Attesting Officer

Commissioner of Patents and Trademarks



US005425085B1

(12) **REEXAMINATION CERTIFICATE** (4452nd)

United States Patent
Weinberger et al.

(10) Number: **US 5,425,085 C1**
(45) Certificate Issued: **Oct. 9, 2001**

(54) **LEAST CONTROL ROUTING DEVICE FOR SEPARATE CONNECTION INTO PHONE LINE**

(75) Inventors: **Gerald J. Weinberger, Smithtown; Roger C. Lee, Wading River, both of NY (US)**

(73) Assignee: **Rates Technology Inc., Smithtown, NY (US)**

Reexamination Request:
No. 90/005,472, Aug. 31, 1999

Reexamination Certificate for:
Patent No.: **5,425,085**
Issued: **Jun. 13, 1995**
Appl. No.: **08/210,670**
Filed: **Mar. 18, 1994**

Certificate of Correction issued Nov. 7, 1995.

- (51) Int. Cl.⁷ **H04M 15/00; H04M 7/00**
- (52) U.S. Cl. **379/112; 379/111; 379/113; 379/114; 379/116; 379/130; 379/131; 379/219; 379/220; 379/221**
- (58) Field of Search **379/111, 112, 379/113, 114, 115, 116, 130, 131, 132, 219, 220, 221**

(56) **References Cited**

U.S. PATENT DOCUMENTS

5,161,109	11/1992	Keating et al.	364/464.02
5,212,789	5/1993	Rago	395/600
5,400,395	* 3/1995	Berenato	379/114
5,420,914	* 5/1995	Blumhardt	379/115
5,473,630	12/1995	Penzias et al.	375/114
5,515,425	5/1996	Penzias et al.	379/114
5,799,071	8/1998	Azar et al.	379/113

FOREIGN PATENT DOCUMENTS

0 586 157 A2	3/1994 (EP)	G06F/15/403
--------------	-------------	-------------

OTHER PUBLICATIONS

Communiqué Telecommunications, Inc. (Ontario, California), "Customized Telemiser Selects Low-Cost Routing," *Computerworld*, vol. XVIII, No. 48, Nov. 28, 1983, p. 109 (plus cover page and contents page).

Communiqué Telecommunications, Inc. (Ontario, California), "Least-Cost Router," *Telecommunications*, vol. 18, No. 1, Jan., 1984, p. 92 (plus cover page and contents page).

Communiqué Telecommunications, Inc. (Ontario, California), "How to Make the Least of Your Long Distance Phone Bill," *Communications News*, vol. 21, No. 9, Sep. 1984, p. 171 (plus cover page).

Communiqué Telecommunications, Inc. (Ontario, California), "How to Make the Least of Your Long Distance Phone Bill," *Sports Illustrated*, Oct. 1, 1984, p. 113 (plus cover page).

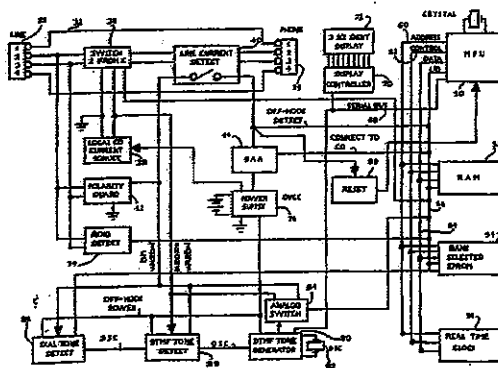
CALLMISER Trademark File History (Registration No. 1725288; Registration Date Oct. 20, 1992; International Class 9).

* cited by examiner

Primary Examiner—Vijay Shankar

(57) **ABSTRACT**

A device interconnects within the phone line coming from a first phone and routes telephone calls along a least cost route originating from the first telephone to a second telephone via the network. A housing forms an enclosure and has a first jack for interconnection to the phone side of the phone line and a second jack for interconnection to the network side of the phone line. The housing forms an enclosure which includes a switch for disconnecting the first phone from the network. The device generates a source of current through the switch to the first phone corresponding to the amount of current provided by the phone network. A database stores billing rate parameters for determining various communication paths of different carriers based on parameters such as the time and date of the call. Phone calls from the first phone are detected and stored. The database is addressed and a plurality of communication switch paths are identified as well as the cost rate of each path. The cost rates for each identified path are compared to determine a least cost route for the call. The device generates a number sequence corresponding to a desired carrier so that the dialed call is routed through the second jack and phone line to the selected communication path and carrier so as to establish a switched connection between the first and second phones.



US 5,425,085 C1

1

**REEXAMINATION CERTIFICATE
ISSUED UNDER 35 U.S.C. 307**

NO AMENDMENTS HAVE BEEN MADE TO
THE PATENT

2

AS A RESULT OF REEXAMINATION, IT HAS BEEN
DETERMINED THAT:

The patentability of claims 1-26 is confirmed.

* * * * *

EXHIBIT 2



US005519769A

United States Patent [19]

[11] **Patent Number:** 5,519,769

Weinberger et al.

[45] **Date of Patent:** May 21, 1996

[54] **METHOD AND SYSTEM FOR UPDATING A CALL RATING DATABASE**

[75] **Inventors:** Gerald J. Weinberger, Smithtown; Roger C. Lee, Wading River, both of N.Y.

[73] **Assignee:** Rates Technology Inc., Smithtown, N.Y.

4,521,857	6/1985	Reynolds	379/88
4,585,904	4/1986	Mincone	379/131
4,656,657	4/1987	Hmsicker	379/131
4,751,728	6/1988	Treat	379/114
4,813,065	3/1989	Segala	379/116
4,888,822	12/1989	Weinberger et al.	379/130
4,935,956	6/1990	Hellwarth	379/112
5,003,584	3/1991	Benyacar	379/135
5,187,710	2/1993	Chau	379/114
5,319,701	6/1994	Hird et al.	379/132

[21] **Appl. No.:** 223,082

[22] **Filed:** Apr. 4, 1994

[51] **Int. Cl.⁶** H04M 15/00

[52] **U.S. Cl.** 379/112; 379/111; 379/113; 379/114; 379/115; 379/130; 379/131; 379/132

[58] **Field of Search** 379/111, 112, 379/113, 114, 115, 116, 130, 131, 132, 88, 104, 105, 106

Primary Examiner—Stephen Chin
Assistant Examiner—Vijay Shankar
Attorney, Agent, or Firm—James & Franklin; Harold James; Robert L. Epstein

[57] **ABSTRACT**

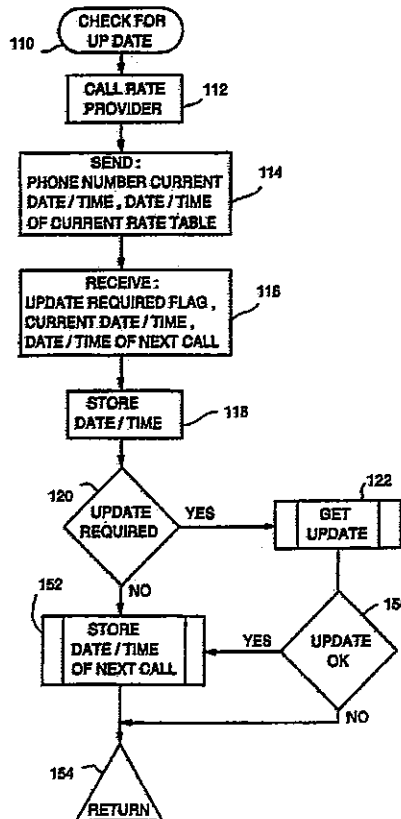
A method and system for updating a database stores billing rate parameters for call rating devices associated with a calling station. The calling station calls at a predetermined date and time a rate provider, which includes billing rate parameters for a plurality of calling stations. The call rating device transmits over the telephone network to the rate provider the phone number of the calling station, and the date and time of the last updated database. The rate provider verifies that the billing rate parameters of the calling station should be updated, then transmits back over the telephone network to the calling station the updated database. The rate provider also sends data as to the new date and time for the call rating device to place a call to the rate provider.

[56] **References Cited.**

U.S. PATENT DOCUMENTS

4,104,486	8/1978	Martin	379/106
4,122,308	10/1978	Weinberger	379/114
4,136,262	1/1979	Clark, Jr.	179/6.3
4,198,545	4/1980	Haist et al.	179/6.3
4,209,668	6/1980	Weinberger et al.	179/90
4,226,360	10/1980	Simjian	379/106
4,410,765	10/1983	Hestad	379/112
4,439,636	3/1984	Newkirk	379/91

48 Claims, 7 Drawing Sheets



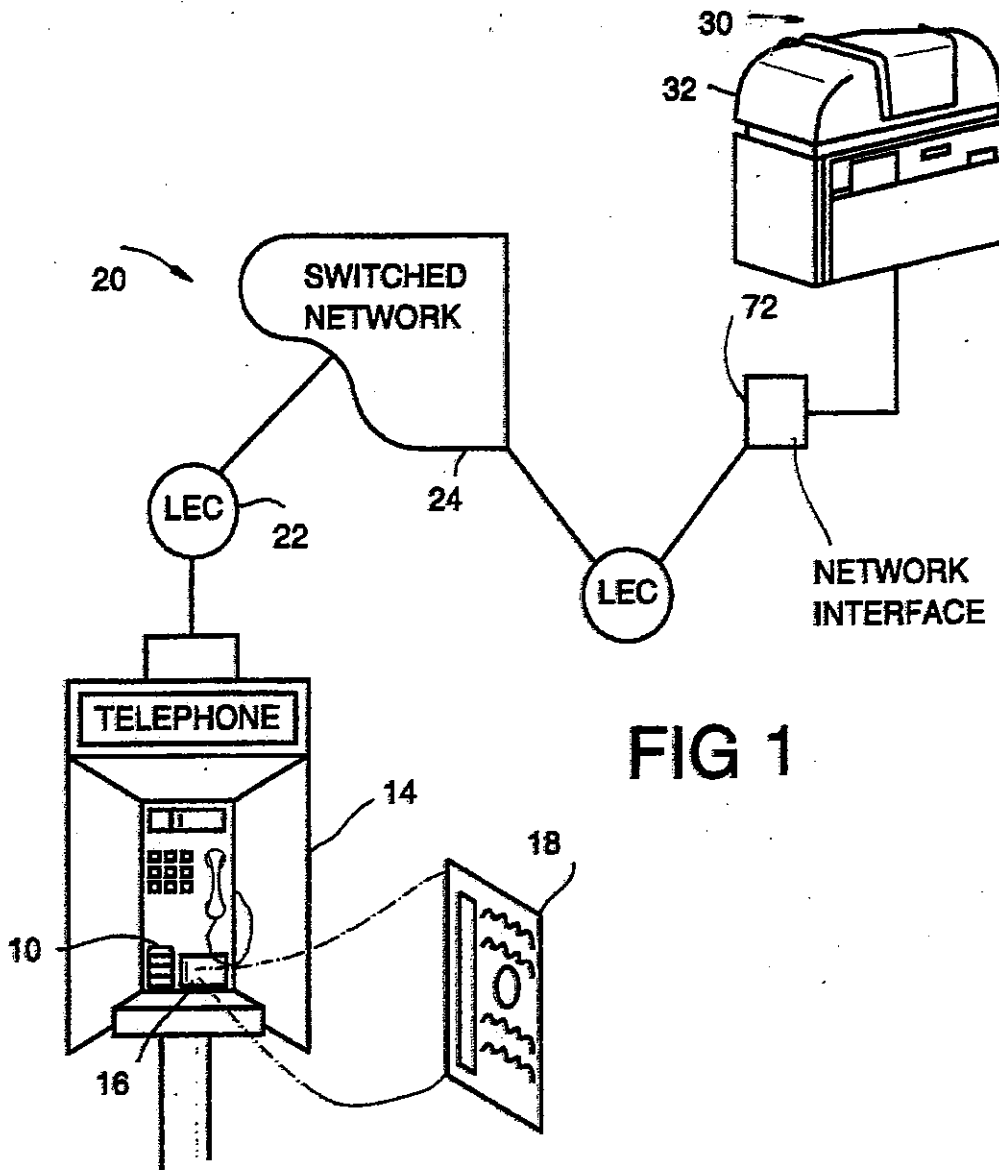


FIG 1

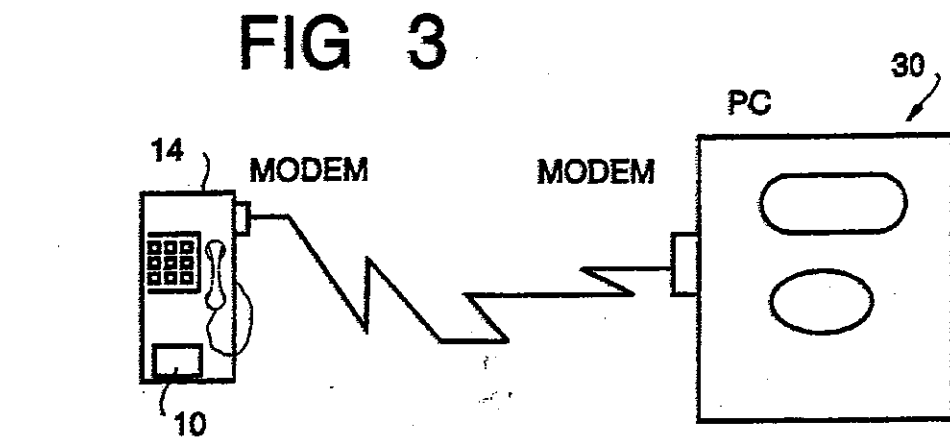


FIG 3

FIG 2

RATE SYNCHRONIZING

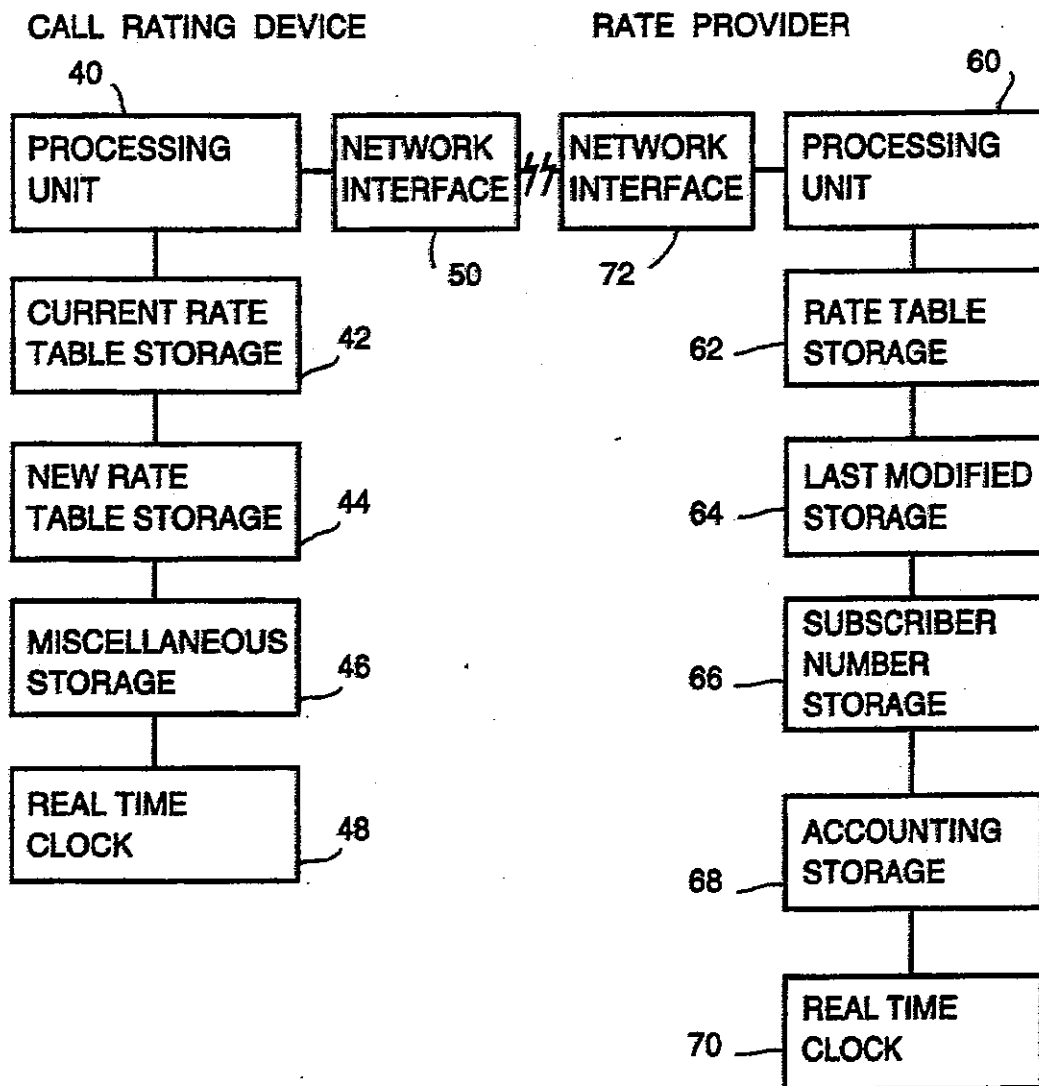


FIG 4

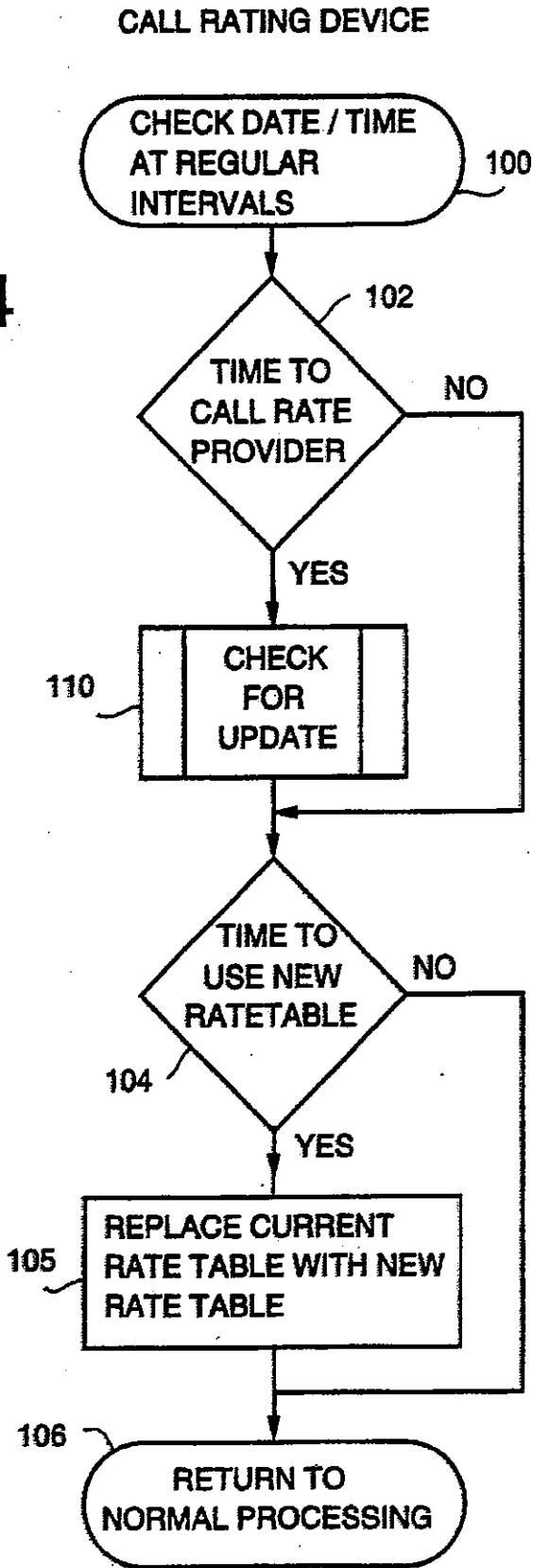


FIG 5

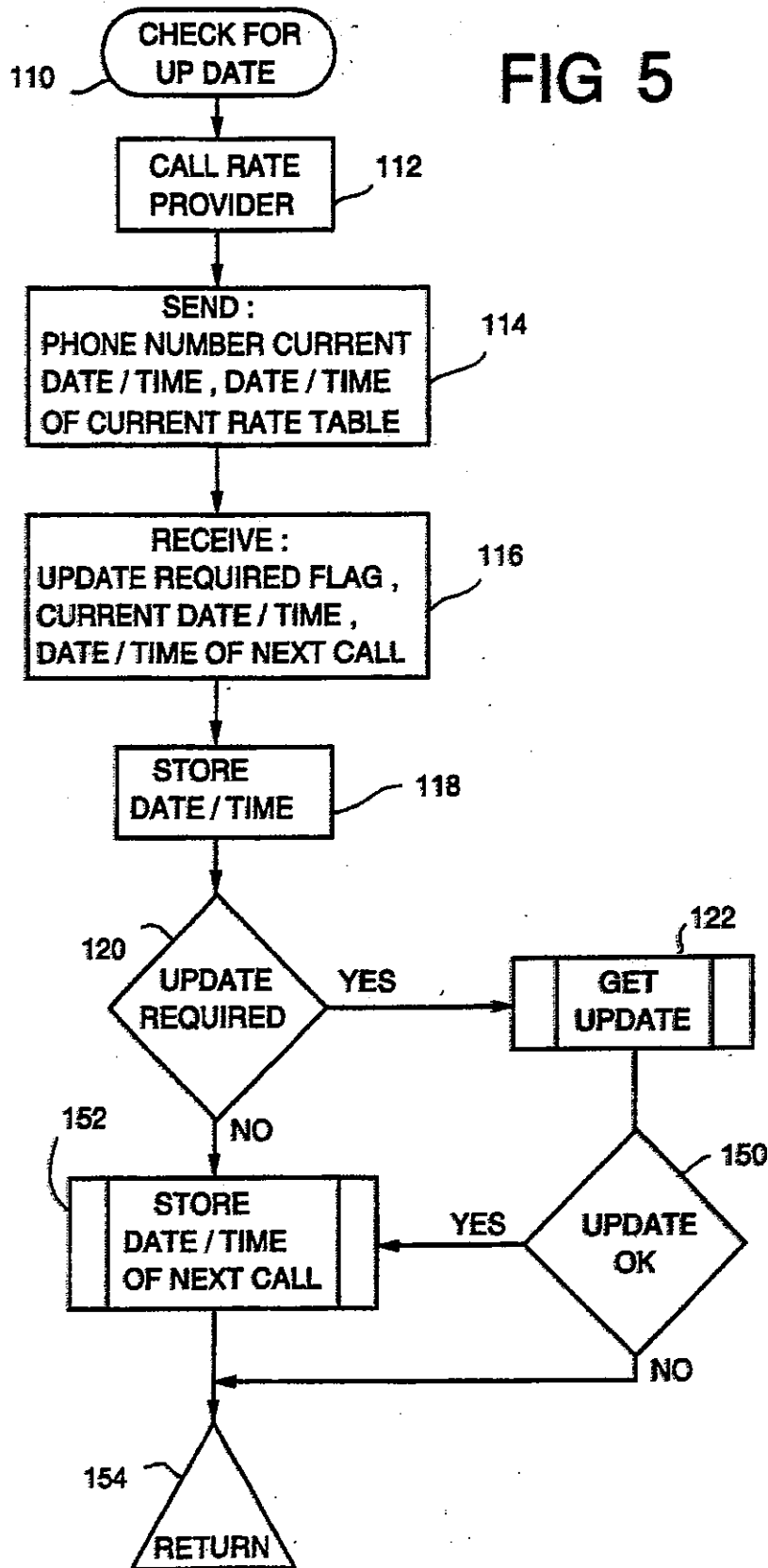


FIG 6

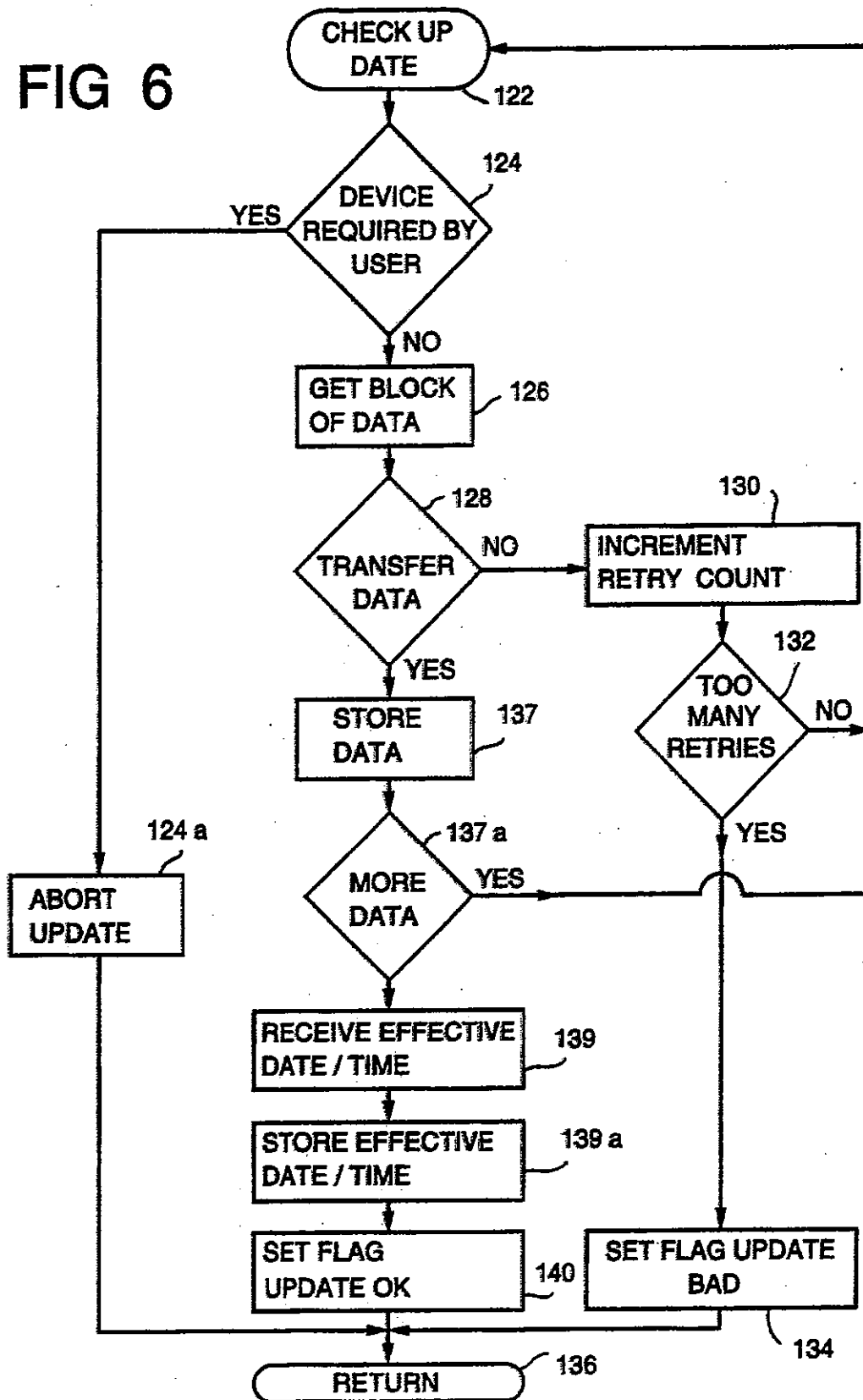


FIG 7

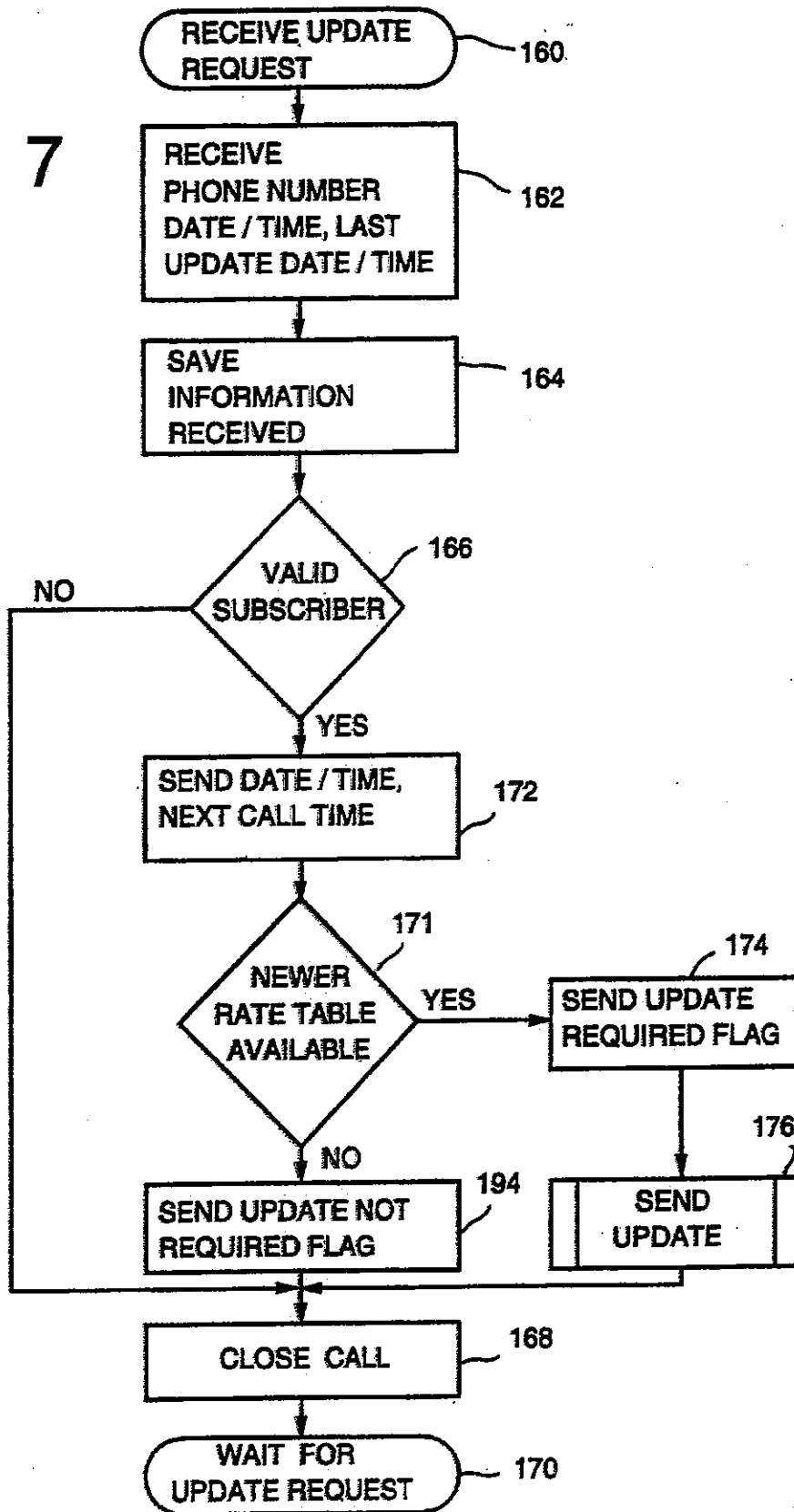
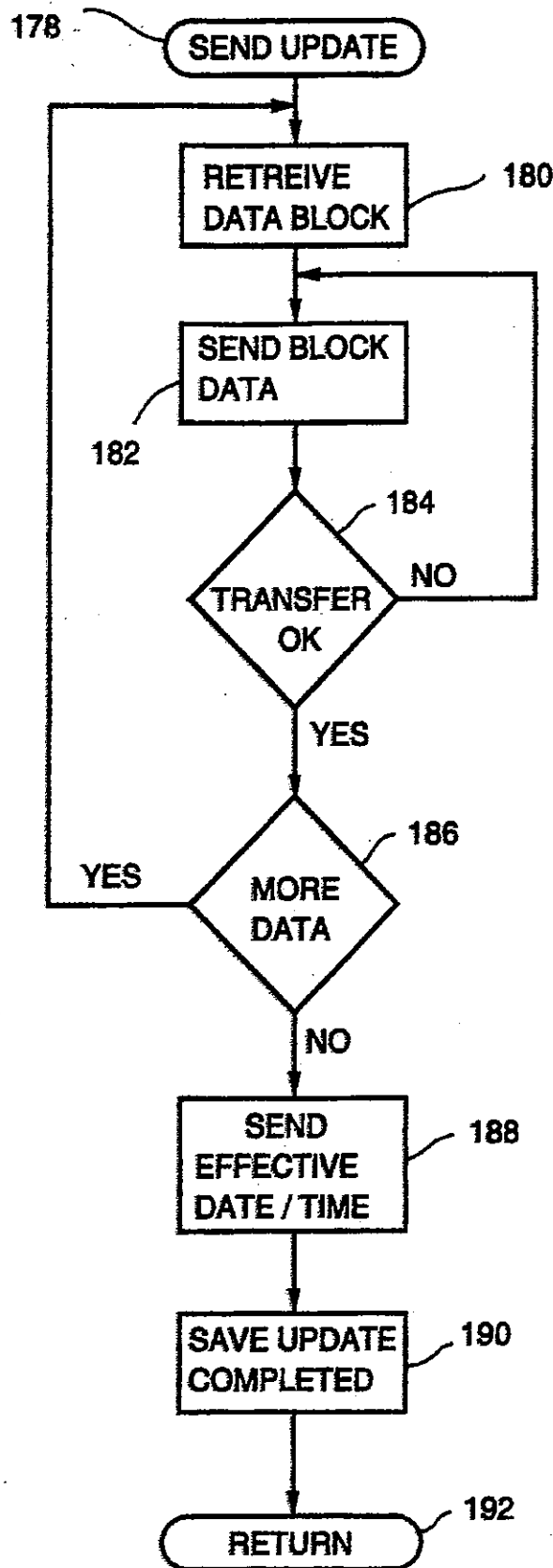


FIG 8



5,519,769

1

METHOD AND SYSTEM FOR UPDATING A CALL RATING DATABASE

FIELD OF THE INVENTION

This invention leads to a method and system for updating a database that stores billing rate parameters for a call rating device used in determining the cost of a telephone call.

BACKGROUND OF THE INVENTION

Competition among numerous local and long distance telephone carriers often results in many cost changes associated with placing both local and long distance telephone calls. Anticipated telephone services will probably include debit card calling from pay phones, as well sophisticated computer network hookup to the telephone network via pay telephones or other calling stations. In such circumstances, it is essential that any database storing a rate table used to cost such calls be accurate and current. The rates must be synchronized to current charges to maintain proper debiting of debit cards and cost charges on databases of cost accounting systems.

In copending patent application Ser. No. 08/210670, entitled "Least Cost Routing Device For Separate Connection Into Phone Line", filed Mar. 18, 1994, a device interconnects within the phone line of a first phone station such as in a residential household, and routes telephone calls along a least cost route originating from that telephone to a destination telephone via the telephone network. A database within the device stores billing rate parameters for determining various communication paths to different carriers based on parameters such as time and date of the call. A home purchaser of such device and service relies on the database to ensure that the least cost route is chosen. The database must be kept current, and updated with the latest rate changes, or the device's function does not consumer perform to expectations.

SUMMARY OF THE INVENTION

The advantages and features of the present invention now allows the database that stores billing rate parameters in a rate table for call rating devices to be updated. The call rating device is connected at a predetermined time and date via a data transfer line to a rate provider having billing rate parameters for a plurality of calling stations. Indicia identifying the call rating device and the date and time of the last update of the billing rate parameters is transmitted over the data transfer line to the rate provider. The rate provider verifies that the billing rate parameters should be updated, and it transmits to the call rating device the updated billing rate parameters when the rate provider determines that an update is required.

In one aspect of the invention, the data transfer line is a part of the telephone network. The call rating device is associated with a calling station and connects to the network via a modem. The rate provider includes a database stored in a personal computer, minicomputer or other similar device, which could connect to the network via a modem.

In one aspect of the invention, the data transfer between the call rating device and rate provider is terminated when the call rating device is used. Transfer of information should not interfere with the normal usage of the call rating device. This is advantageous such as when the call rating device is

2

incorporated within a pay telephone. If a customer desires to use the telephone, any pending rate transfer is terminated.

In another aspect of the invention, the call rating device stores the updated billing parameters in a separate database. When the telephone network switches to the new rates, the call rating device automatically substitutes the updated billing rate schedule into the old database. Typically, the rate provider sends the time and date when any call rating devices which are part of a rating network should call the rate provider to solicit rate information. The rate provider then sends a new billing rate schedule to respective call rating devices at different times. This is advantageous when many call rating devices are subscribers to the rate network. The rate provider will not be overloaded at one time with numerous "request for update" calls. During updating, the rate provider sends new times and dates when each respective call rating device should call for an updated database.

DESCRIPTION OF THE DRAWINGS

The foregoing advantages and features of the present invention will be appreciated more fully from the following description with reference to the accompanying drawings in which:

FIG. 1 is an environmental view showing the call rating device incorporated within a debit telephone connected via the telephone network to a rate provider in the form of a minicomputer.

FIG. 2 is a block diagram of the overall components of the call rating device and rate provider.

FIG. 3 is a block diagram showing basic components of a pay telephone and a call rating device in the form of a personal computer where modems connect to the telephone network.

FIG. 4 is a high level flow chart showing the basic processing for using and replacing a current rate table with a new rate table.

FIG. 5 is a flowchart showing the subroutine where the call rating device is checked for updates.

FIG. 6 is a flowchart showing the subroutine where the call rating device obtains the information from the rate provider.

FIG. 7 is a flowchart showing the routine where the rate provider receives an updated request from the call rating device.

FIG. 8 is a flowchart showing the routine where the rate provider sends an update to the call rating device.

DETAILED DESCRIPTION OF THE INVENTION

Referring now to FIG. 1, there is illustrated the call rating device 10 of the present invention which is incorporated within a pay telephone 14, which in the illustrated example is a debit telephone. Although the description proceeds in reference to the illustrated debit telephone 14, it is understood that the call rating device 10 can be incorporated with the least cost rating device disclosed in U.S. patent application Ser. No. 08/210,670, entitled "Least Cost Routing Device For Separate Connection Into Phone Line," filed, Mar. 18, 1994, the disclosure which is hereby incorporated by reference, and it can be incorporated with other telephones or personal computers connected to a LAN network.

In the illustrated embodiment, the debit telephone 14 includes a card slot 16 where a debit card 18 is inserted. The debit 18 card typically includes a dollar amount which will

5,519,769

3

be debited each minute as the phone is used. The phone includes an internal modem connection to allow data transfer along the phone network 20. The phone network typically includes a central office 22 and a switched network 24.

In the illustrated example, the rate provider 30 is a large capacity computer with a hard drive 32 for storing the rate information for various calling stations such as the debit telephone 14. Although a minicomputer is illustrated as a rate provider, in smaller rate networks when not many subscribers use the system of the invention, a powerful personal computer will suffice.

In accordance with the present invention, the rate provider services numerous other subscribers to the updating service, and could include other debit telephones, household/residential telephones using plug devices as disclosed in the copending '670 application, or personal computers in cost management systems, LAN systems and other similar uses. The users form a rate network. Each user is a subscriber to the overall rate network. The billing rate parameters could include the rates for local and long distance calls, and the rates of various carriers in some instances.

As shown in FIG. 2, the call rating device 10 would typically include a processing unit 40 such as a standard microprocessor unit. The current rate table storage 42 used for storing the billing rate parameters forming the rate table could be a static ram or any nonvolatile storage such as currently used with IBM Compatible PCs. An EEPROM has been found advantageous also. The new rate table storage 44 can be identical to the current rate table storage 42, except that the new rate table storage will be substituted for the current rate table when an update is required. Miscellaneous storage 46 can also be static ram or other similar storage devices and will store such items as the phone number associated with the call rating device, the date and time in which to call the rate provider, as well as other miscellaneous information.

The amount of required storage capacity could be small, typically on the order of about 32K byte. Naturally, the amount of storage varies depending on the type of telephone or other device which is associated with the call rating device, and the end use of the device. The real time clock 48 maintains time over the processing unit and the movement of data between the various storage devices 42, 44 and 46. In the illustrated embodiment, the network interface for the call rating device is a modem which interfaces with the phone network. In some instances, however, the network interface could be associated with T1 lines and other communication paths.

The rate provider also includes a processing unit 60. However, because of the larger database and processing demands placed upon the rate provider, the processing unit 60 typically is a larger unit such as associated with a minicomputer or high powered PC compatible computer. The rate table storage 62 can be a hard disc or any other type of large capacity data storage to keep track of all call rating device databases which subscribe to the rate network. The last modified storage 64 is a storage area where every modification to a database is stored to maintain a record of rate table modifications for each call rating device in the rate network.

The subscriber number storage 66 stores each telephone number associated with a call rating device, such as the telephone number associated with the debit telephone station illustrated in FIG. 1. The transaction storage 68 maintains a record of which calling station has connected to the rate provider, and in conjunction with the processing unit 60,

4

verifies all transactions, tracks telephone numbers, and maintains records and information such as when respective call rating devices are scheduled to call the rate provider. A real time clock 70 properly synchronizes timing of the processing unit 60. The rate provider also includes a network interface 72 such as a modem or (T1 lines in some instances) for communicating with the call rating device 10 via the phone network, or perhaps with leased modem or phone lines.

In accordance with the present invention, the call rating device may also communicate through a local area network, especially when the call rating device and rate provider are associated with personal computers. Two computers could be connected via a data transfer line and the call rating device updated. The personal computer associated with the call rating device could be used to input data to a private branch exchange or other similar exchange. Additionally, the call rating device could be associated with a call accounting system used with a LAN network.

In the illustrated aspect of the invention, the call rating device is associated with a calling station, the debit phone 14 of FIG. 1, and connected by network interface 52 to the telephone network. The calling station at the appropriate predetermined time set by the rate provider calls a 900 number and connects to the rate provider. The calling station that calls the 900 number will automatically be billed, and the rate provider will obtain the funds back from the telephone company. Thus, the system can provide an automatic billing system, minimizing the amount of expensive and complex files that the rate provider would have to generate, such as those normally associated with "toll-free" 800 numbers.

FIG. 3 illustrates another block diagram where the debit phone is connected to a personal computer using modems for network interfaces.

Referring now to FIGS. 4-8, there are illustrated flowcharts showing operation of the call rating device and the rate provider. In the description that follows, the call rating device is described with reference to the debit phone as illustrated in FIG. 1. The rate provider is typically associated with a computer such as illustrated in FIG. 1. The references for each block will be described starting from the numeral one hundred (100) and sequentially following with mainly even numbers.

As shown in FIG. 4, in block 100, the call rating device 10 at some frequent interval of time checks the date and time which are maintained by the real time clock 48. Based on the data stored in miscellaneous storage 46, the call rating device 10 in block 100 and 102 determines whether it is time to call the rate provider 30 to determine if an updated billing schedule is required. The frequency of calls made in block 100 and 102 can vary depending on the location of the call rating device and the type of associated equipment. If it is not time to call the rate provider, then the processor 40 checks to see whether it is time to use any new rate table (block 104) which may be stored in the new rate table storage 44. The rate table is replaced (block 105) if changes are required. If changes to the new rate table (block 104) are not required, the call rating device returns to normal processing (block 106).

If it is time to call the rate provider, then the subroutine, "Check For Update" is followed (block 110), and the rate provider is called (block 120). Typically the modem is initialized and information is sent which includes: (1) the phone number associated with the calling station of the call rating device; (2) the current date and time; and (3) the date

5,519,769

5

and time when the current rate table was substituted for a previous autorate table or first used (block 114).

The rate provider 30 receives the information sent by the call rating device 10. An update flag is generated and signals the call rating device processor whether an update is required. The rate provider has the intelligent capability to determine when each call rating device associated with a calling station should make any calls so that the calls can be staggered. This is essential in a large network to prevent overloading the rate provider.

The block of information includes the current date and time and the date and time when the calling rating device should make the next call to the rate provider. In block 118, the date and time of the next call is stored and the information received from the rate provider is checked to determine if the database stored in the call rating device should be updated. If the database should be updated, the subroutine "Get Update" is followed in block 122.

In block 124 a determination is first made whether a device is required by a user before an update is requested or during transmission of any information between the call rating device and rate provider. For example, in the debit phone of FIG. 1, if the customer requires use of the debit phone, and any data is being downloaded, then any data transfer is terminated so that the customer may use the phone (block 124a). If the call rating device is associated with a computer which must be used, the data transfer is terminated. In block 126 the data is received from the rate provider typically as a block of data or packet which can be transmitted over the telephone network. Typically, some protocol such as X modem, Y modem, Z modem could be used to insure accurate transfer.

In block 128, if the transfer of information is not adequate, then a retry count is incremented (block 130), and data transfer is retried once again. If there have been too many retries (block 132) then a flag initiating termination of retries is established (block 134) and return is made to normal processing (block 136). The number of retries in block 132 can be set to a predetermined amount such as three or four retries. If the number of retries has not reached the maximum, the "Get Update" routine is initiated.

In block 137, the transferred data is stored. If more data is required (block 137a), the "Get Update" subroutine is initiated. If more data is not required, the effective date and time is received (block 139) and stored (block 139a). The processor initiates an "Update Okay" flag (block 140) and return is made to the normal processing routine. If the update was not proper (FIG. 5, block 150), then the date and time of the next call is not changed. The call rating device will keep calling at the proper intervals of time until it receives an update. If the update is okay, then the date and time of the next call is stored (block 152). After the date and time is stored in, normal processing occurs (block 154).

Referring now to FIGS. 7 and 8, the call processing routines for the rate provider 30 are illustrated. As shown in FIG. 7, the rate provider receives the update request from the call rating device (block 160). It receives 1) the calling station's phone number; 2) the date and time of the last update; and 3) the current date and time (block 162). The rate provider saves that information (block 164) and then determines if the calling station with associated call rating device is a valid subscriber to the rate network (block 166). If the number is not a valid subscriber, the call is terminated (block 168) and the rate provider then waits for the next update request from another calling station (block 170).

If the number received is a number for a valid subscriber (block 166), then the rate provider sends the date and time

6

of the next call to be made by that particular calling station (block 172). If a newer rate table is available, (block 173), then an update flag is initiated by the processing unit of the rate provider (block 174) and the update is sent, illustrated in the "Send Update" subroutine of FIG. 8.

As shown in FIG. 8, the block of data is retrieved such as from the hard disk (block 180) and the block of data is sent over the telephone network (block 182). If the data transfer is not proper (block 184), such as if a pay phone has terminated data transfer, then the data block is sent again (block 182). This loop may repeat for several instances.

If the data transfer is proper, then verification is made whether more data should be sent, (block 186). If more data should be sent, then further data is retrieved and transferred (block 180). If more data does not need to be transmitted, then the effective data and time is transmitted (block 188) and the update information is saved (block 190) and stored in the accounting or transactional database 68. Processing then returns to normal routine (block 192).

If a newer rate table is not available (block 174), then an "Update Not Required" flag is initiated (block 194) and the call is terminated. The rate provider then waits for the update request (block 170) from another call rating device.

The method and system of the present invention is advantageous because the growing telephone network has seen the outgrowth of various options such as debit telephones and least cost routing devices, which house rate tables that can be updated. Use of the 900 service to call a rate provider will simplify billing procedures as compared to more complex 800 toll free services.

It is to be understood that the above description is only one embodiment of the invention. Numerous other arrangements may be devised by one skilled in the art without departing from the spirit and skill of the invention.

That which is claimed is:

1. A method for updating a database that stores billing rate parameters for a call rating device used for cost determinations for a calling station, comprising the steps of
 - connecting at a predetermined time and date via a data transfer line the call rating device to a rate provider having billing rate parameters for a plurality of calling stations,
 - transmitting over the data transfer line indicia identifying the call rating device and the date and time of the last update of the billing rate parameters,
 - verifying if billing rate parameters should be updated, and transmitting from the rate provider to the call rating device the updated billing rate parameters when the rate provider determines that an update is required.
2. The method according to claim 1 wherein the step of connecting via a data transfer line includes the step of connecting the call rating device to a telephone network via a modem and calling the rate provider.
3. The method according to claim 2 wherein the call rating device comprises a pay telephone.
4. The method according to claim 3 including the step of terminating the transfer of information between the rate provider and the pay telephone when the pay telephone is to be used.
5. The method according to claim 1 including terminating any data transfer between the call rating device and the rate provider when the call rating device is to be used.
6. The method according to claim 1 including storing the updated billing rate parameters in the call rating device after receiving the billing rate parameters, and substituting the updated parameters into the database at a later predetermined time.

5,519,769

7

7. The method according to claim 1 including the step of reattempting data transfer from the rate provider to the call rating device if the initial rate data was not transferred properly, and terminating the reattempts to transfer data after a predetermined number of attempts to transfer data have been made.

8. The method according to claim 1 including the step of updating the time and date for connecting to the rate provider.

9. The method according to claim 1 including reattempting data transfer when the data has not transferred properly.

10. The method according to claim 1 wherein the connecting step of claim 1 includes the step of calling a 900 number.

11. A method for updating a database that stores billing rate parameters for a call rating device associated with a calling station operatively connected to a telephone network, comprising

calling at a predetermined date and time a rate provider having billing rate parameters for a plurality of calling stations so as to connect between the calling station with the associated call rating device and the rate provider,

transmitting over the telephone network to the rate provider the phone number of the calling station and the date and time of the last update of the billing rate parameters,

verifying if the billing rate parameters should be updated, and

transmitting over the telephone network to the calling station the updated billing rate parameters when the rate provider determines that a database update is required.

12. The method according to claim 11 including the step of calling the rate provider at regular intervals of time.

13. The method according to claim 11 including the step of receiving from the rate provider a calling station time schedule for calling the rate provider for updated billing rate information at a predetermined time.

14. The method according to claim 11 wherein the calling station comprises a pay telephone and including the step of terminating the transfer of information between the rate provider and the pay telephone when the pay telephone is to be used.

15. The method according to claim 11 including the step of verifying the accuracy of the transfer of information between the calling station and the rate provider.

16. The method according to claim 11 including the step of reattempting data transfer from the rate provider to the call rating device if the initial data was not transferred properly, and terminating the attempt to transfer data after a predetermined number of attempts to transfer data have been made.

17. The method according to claim 11 including the step of downloading the rate information to the database via a modem.

18. The method according to claim 11 wherein the call rating device comprises a least cost rating device.

19. The method according to claim 11 including storing the updated billing rate parameters in the call rating device after receiving the parameters, and substituting the updated parameters into the database at a later predetermined time.

20. The method according to claim 11 including the step of updating the time and date for connection to the rate provider.

21. The method according to claim 11 including reattempting data transfer when the data has not transferred properly.

8

22. The method according to claim 11 wherein the connecting step of claim 1 includes the step of calling a 900 number.

23. A method for updating subscriber databases that store billing rate parameters for call rate devices which are associated with respective subscriber calling stations operatively connected to a telephone network, comprising the steps of

each subscriber station calling at a scheduled time a rate provider having billing rate parameters for each calling station, wherein the scheduled time for each call is such that the calls from each calling station are substantially spaced apart in time from each other,

each station transmitting over the telephone network the respective phone number of its station and the date and time of the last update of the billing rate parameters, verifying in the rate provider that an update is required, and

transmitting over the telephone network from the rate provider to the calling station the updated billing rate parameters when an update is required.

24. The method according to claim 23 including the step of calling the rate provider at regular intervals of time.

25. The method according to claim 23 including the step of receiving from the rate provider device a calling station time schedule for calling the rate provider for updated information.

26. The method according to claim 23 wherein the calling station comprises a pay telephone and including the step of terminating the transfer of information between the rate provider device and the pay telephone when the pay telephone is to be used.

27. The method according to claim 23 including the step of verifying the accuracy of the transfer of information between the calling station and the rate provider device.

28. The method according to claim 23 including the step of reattempting to transfer data from the rate provider to the calling station if the initial data was not transferred properly, and terminating the attempt to transfer data after a predetermined number of attempts to transfer data have been made.

29. The method according to claim 23 including the step of downloading the rate information to the database via a modem.

30. The method according to claim 23 including verifying that a calling party is a subscriber.

31. The method according to claim 23 including storing the updated billing rate parameters in the call rating device after receiving the update billing rate parameters, and substituting the updated billing rate parameters into the current database at a later predetermined time.

32. The method according to claim 23 including the step of updating the time and date for connecting to the rate provider.

33. The method according to claim 23 including the step of reattempting data transfer when the data has not transferred properly.

34. The method according to claim 23 wherein the connecting step of claim 24 includes the step of calling a 900 number.

35. A call rating updating system comprising

a call rating device, including a database that stores current updated billing rate parameters used for cost determinations for a calling station,

a data transfer line operatively connected to the call rating device,

US 5,519,769 C1

1

**REEXAMINATION CERTIFICATE
ISSUED UNDER 35 U.S.C. 307**

THE PATENT IS HEREBY AMENDED AS
INDICATED BELOW.

Matter enclosed in heavy brackets [] appeared in the patent, but has been deleted and is no longer a part of the patent; matter printed in italics indicates additions made to the patent.

AS A RESULT OF REEXAMINATION, IT HAS BEEN DETERMINED THAT:

The patentability of claims 1-48 is confirmed.

New claims 49-53 are added and determined to be patentable.

49. A method for updating a database that stores billing rate parameters for a call rating device used for cost determinations for a calling station, comprising the steps of connecting at a predetermined time and date via a data transfer line the call rating device to a rate provider having billing rate parameters for a plurality of calling stations,

transmitting over the data transfer line indicia identifying the call rating device and the date and time of the last update of the billing rate parameters,

verifying if billing rate parameters should be updated based on said transmitted last update indicia, and

transmitting from the rate provider to the call rating device the updated billing rate parameters when the rate provider determines that an update is required.

50. A method for updating a database that stores billing rate parameters for a call rating device associated with a calling station operatively connected to a telephone network, comprising

calling at a predetermined date and time a rate provider having billing rate parameters for a plurality of calling stations so as to connect between the calling station with the associated call rating device and the rate provider,

transmitting over the telephone network to the rate provider the phone number of the calling station and the date and time of the last update of the billing rate provider,

verifying if the billing rate parameters should be updated based on said transmitted last update information, and

transmitting over the telephone network to the calling station the updated billing rate parameters when the rate provider determines that a database update is required.

51. A method for updating subscriber databases that store billing rate parameters for call rate devices which are associated with respective subscriber calling stations operatively connected to a telephone network, comprising the steps of

2

each subscriber station calling at a scheduled time a rate provider having billing rate parameters for each calling station, wherein the scheduled time for each call is such that the calls from each calling station are substantially spaced apart in time from each other,

each station transmitting over the telephone network the respective phone number of its station and the date and time of the last update of the billing rate parameters, verifying in the rate provider that an update is required based on said transmitted last update information, and transmitting over the telephone network from the rate provider to the calling station the updated billing rate parameters when an update is required.

52. A call rating updating system comprising a call rating device, including a database that stores current updated billing rate parameters used for cost determination for a calling station,

a data transfer line operatively connected to the call rating device, means for transmitting over the data transfer line indicia information identifying the call rating device and update information identifying the last update of the billing rate parameters, and

a rate provider operatively connected to said data transfer line, said rate provider including

(a) a database having updated billing rate parameters for a plurality of calling stations,

(b) means for receiving the information from the call rating device,

(c) means for verifying if billing rate parameters should be updated based on said received last update information, and

(d) means transmitting from the rate provider to the call rating device the updated billing rate parameters when the rate provider determines that an update is required.

53. A system for updating a database having billing rate parameters for determining the cost of telephone calls originating from a calling station to a destination calling station via a telephone network, comprising

a calling station operatively connected to the telephone network, and including database means associated with the calling station for storing billing rate parameters for determining the cost of the phone call, and including means for transmitting over the telephone network information identifying the phone number of the calling station and the date and time of the last update of the billing rate parameters,

rate providing means operatively connected to the phone network for storing billing rate parameters for calling stations, said rate providing means including means for receiving said information from the calling station, said rate providing means including:

(a) control means for determining whether the calling party database should be updated based on said received last update information; and

(b) means for transmitting updated billing rate parameters to the calling party when an update is required.

* * * * *