

UNITED STATES DISTRICT COURT
SOUTHERN DISTRICT OF NEW YORK

UNDC SONY
DOCUMENT
ELECTRONICALLY FILED
DOCK
DATE FILED: 3/7/11

PRO SE OFFICER

CHKRZIE OTTAT

(In the space above enter the full name(s) of the plaintiff(s).)

-against-

1ST MOBILE TECHNOLOGIES

2nd
AMENDMENT
COMPLAINT
10 CIV 7296(CM)(DCF)

Jury Trial: Yes No
(check one)

(In the space above enter the full name(s) of the defendant(s). If you cannot fit the names of all of the defendants in the space provided, please write "see attached" in the space above and attach an additional sheet of paper with the full list of names. The names listed in the above caption must be identical to those contained in Part I. Addresses should not be included here.)

I. Parties in this complaint:

A. List your name, address and telephone number. If you are presently in custody, include your identification number and the name and address of your current place of confinement. Do the same for any additional plaintiffs named. Attach additional sheets of paper as necessary.

Plaintiff Name CHKRZIE OTTAT
Street Address 1035 CLARKSON AVENUE, 541/2 ST
County, City BROOKLYN
State & Zip Code NEW YORK, 11212
Telephone Number 718-581-4539

B. List all defendants. You should state the full name of the defendant, even if that defendant is a government agency, an organization, a corporation, or an individual. Include the address where each defendant may be served. Make sure that the defendant(s) listed below are identical to those contained in the above caption. Attach additional sheets of paper as necessary.

Defendant No. 1 Name 1ST MOBILE TECHNOLOGIES
 Street Address 1013 CONSHOHOCKEN ROAD, SUITE 312
 County, City CONSHOHOCKEN, PA 19428-0928
 State & Zip Code _____
 Telephone Number _____

Defendant No. 2 Name _____
 Street Address _____
 County, City _____
 State & Zip Code _____
 Telephone Number _____

Defendant No. 3 Name _____
 Street Address _____
 County, City _____
 State & Zip Code _____
 Telephone Number _____

Defendant No. 4 Name _____
 Street Address _____
 County, City _____
 State & Zip Code _____
 Telephone Number _____

II. Basis for Jurisdiction:

Federal courts are courts of limited jurisdiction. Only two types of cases can be heard in federal court: cases involving a federal question and cases involving diversity of citizenship of the parties. Under 28 U.S.C. § 1331, a case involving the United States Constitution or federal laws or treaties is a federal question case. Under 28 U.S.C. § 1332, a case in which a citizen of one state sues a citizen of another state and the amount in damages is more than \$75,000 is a diversity of citizenship case.

A. What is the basis for federal court jurisdiction? (check all that apply)

- Federal Questions Diversity of Citizenship

B. If the basis for jurisdiction is Federal Question, what federal Constitutional, statutory or treaty right is at issue? PATENT INFRINGEMENT

C. If the basis for jurisdiction is Diversity of Citizenship, what is the state of citizenship of each party?

Plaintiff(s) state(s) of citizenship NEW YORK STATE (NYS)
 Defendant(s) state(s) of citizenship CONSHOHOCKEN (PA)

III. Statement of Claim:

State as briefly as possible the facts of your case. Describe how each of the defendants named in the caption of this complaint is involved in this action, along with the dates and locations of all relevant events. You may wish to include further details such as the names of other persons involved in the events giving rise to your claims. Do not cite any cases or statutes. If you intend to allege a number of related claims, number and set forth each claim in a separate paragraph. Attach additional sheets of paper as necessary.

A. Where did the events giving rise to your claim(s) occur? NEW YORK CITY, NEW YORK STATE, USA, ALL AROUND USA.

B. What date and approximate time did the events giving rise to your claim(s) occur? DEC. 26 2002/2006. PATIENT # US 7,152,840.

C. Facts: MY PATIENT # US 7,152,840 HAS/IS INFLUENCED THE ATTACHED explain more.

What happened to you?

Who did what?

Was anyone else involved?

Who else saw what happened?

I HAVE SEEN THE PRODUCT(S) USED BY CON-EDISON, POLICE DEPARTMENT (NYC, USA) & HEALTH DEPT. (NYC, USA)

IV. Injuries:

If you sustained injuries related to the events alleged above, describe them and state what medical treatment, if any, you required and received.

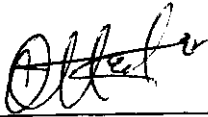
V. Relief:

State what you want the Court to do for you and the amount of monetary compensation, if any, you are seeking, and the basis for such compensation. THE INFRINGEMENT HAVE COST MR, CO INAGURS AND KON WONY2 Corp. CONTRACT, AND SLOWED INVESTMENT CAPITAL TO DEVELOP AND MANUFACTURE THE GOODS IN LARGE SCALE. THIS PRODUCT(S) INCLUDE A MOBILE HOLDER(S) FOR COMPUTERS, LAP-TOPS, OR, AND NOTEBOOKS, T.V., FLAT T.V., OTHER NEWLY AND IMPROVED ENTERTAINMENT PRODUCT FOR MOBILE USE.

ESTIMATED EARNING FROM ILLEGAL SALES AND OTHER CONTRACTUAL COMMITMENT IN FAVOUR OF 1ST MOBILE TECHNOLOGIES IS OVER 50 MILLION. THEREFORE I ASK THE COURT TO ORDER 1ST MOBILE TECHNOLOGIES TO PAY ME \$50 MILLION IN PAINFUL INFRINGEMENT AND VIOLATION OF MY PATENT RIGHT. I PRAY THAT THE COURT ORDER 1ST MOBILE TECHNOLOGIES TO ACQUIRE, PURCHASE A PERMIT, OR LICENSE FROM MR. JOHN FURBER BUSINESS PRODUCING NOTE BOOK HOLDER.

I declare under penalty of perjury that the foregoing is true and correct.

Signed this 07 day of MARCH, 2011.

Signature of Plaintiff 
Mailing Address 1035 CLARKSON AVE. Suite 5A
BROOKLYN, NEW YORK, 11212
Telephone Number 718-581-4539
Fax Number (if you have one) _____

Note: All plaintiffs named in the caption of the complaint must date and sign the complaint. Prisoners must also provide their inmate numbers, present place of confinement, and address.

For Prisoners:

I declare under penalty of perjury that on this _____ day of _____, 20____, I am delivering this complaint to prison authorities to be mailed to the Pro Se Office of the United States District Court for the Southern District of New York.

Signature of Plaintiff: _____
Inmate Number _____

PREMINARY DOUCMENT
CHIKEZIE OTTAH
V
1ST MOBILE TECHNOLOGIES

10 civ. 7296 (CM)(DCF)
Judge Colleen McMahon

Below you will find attached documents in support of my claims

- | | |
|--|--------------------|
| 01. Statement of claims | page 1 of 6 |
| 02. 1st Mobile technologies, note book holder | page 2 of 6 |
| 03. 1st Mobile technologies, note book holder | page 3 of 6 |
| 04. A book/note book illustrated picture | page 4 of 6 |
| 05. Clamp in an alternate configurations | page 5 of 6 |
| 06. Clamp in an alternate configurations | page 6 of 6 |
| 07. Waiver of service of summons, | 1 page |
| 08. Notice of lawsuit and request for waiver of service of summons, . | 1 page |
| 09. A copy of patent # US 7152840 | |
| 10. Mechanical configuration US 7152840 note book holder. | 4pages |
| 11. Compare 1st Mobile technologies note book to US 7152840 note book holder | |
| 2 pages | |
| 12. Amendment Document | |
| 13. A Letter to the Judge | 1 page |
| 14. Summary and relief. | 1 page |

Chikezie Ottah
1035 Clarkson Avenue
Suite 5A, Brooklyn,11212 NY, USA
Phone: 718 518 4539

Chikezie Ottah

Plaintiff

**Case number 10 Civ. 7296 (cm)(dcf)
{JUDGE COLLEEN MCMAHON}**

V

1st Mobile Technologies

Defendant

Statement of Claims

Patent infringement

Title: Book Holder

Patent # US 7152840

ABSTRACT OF INVENTION

A book holder removably attachable to a vehicle or structure such as a stroller, walker, wheelchair or car seat for mobile applications. The book holder for holding a book or drawing surface in a usable position there on for by the occupant of the vehicle. The book holder comprising an adjustable clasp on the vehicle, an arm extending to a book platform, the arm providing rotational pivotal and axial adjustment to hold the platform in spaced relation to the clasp. A plurality of spring biased clamps on the platform to secure the book to the book holder.

SUPPORT DOCUMENT DRAWN FROM THE SPECIFICATION

(page 5, paragraph 3)

The book holder 12 may also be used to support such items as audio/video equipment, PDA, or mobile phones, cameras, computers, musical instruments, toys, puzzles and games. The panel 16 may be provided with a set of mounting positions for receiving and / or mounting the above items. (not shown)

CLAIMS

A book holder with platform, clip, pole structure, adjustable handle, and or arm. Plurality of nuts, screw, bolts, clamps and adjustable pole structure

Number 01

page 1 Of 6

- Products**
- Installations**
- Catalog**
- Partners**
- Case Studies**

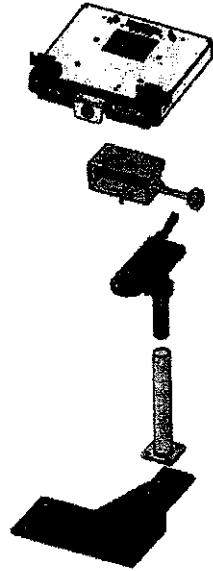
- Categories**
- Docks/Cradles ▶
 - Tilt/Swivel
 - Top Plate
 - Poles
 - Base Mounts ▶
 - Accessories ▶

Search

Use keywords, part #, part name or vehicle type. **Advanced**

Products Home

First Mobile Technologies' products are interchangeable and allow you to build a solution that best fits your needs. Roll over components below for details or click component to see products.



Touch a section of the system to begin
(click it to visit product section)

First Dock™ or First Cradle™

First Cradle™ is a secure device that locks your computer in place.

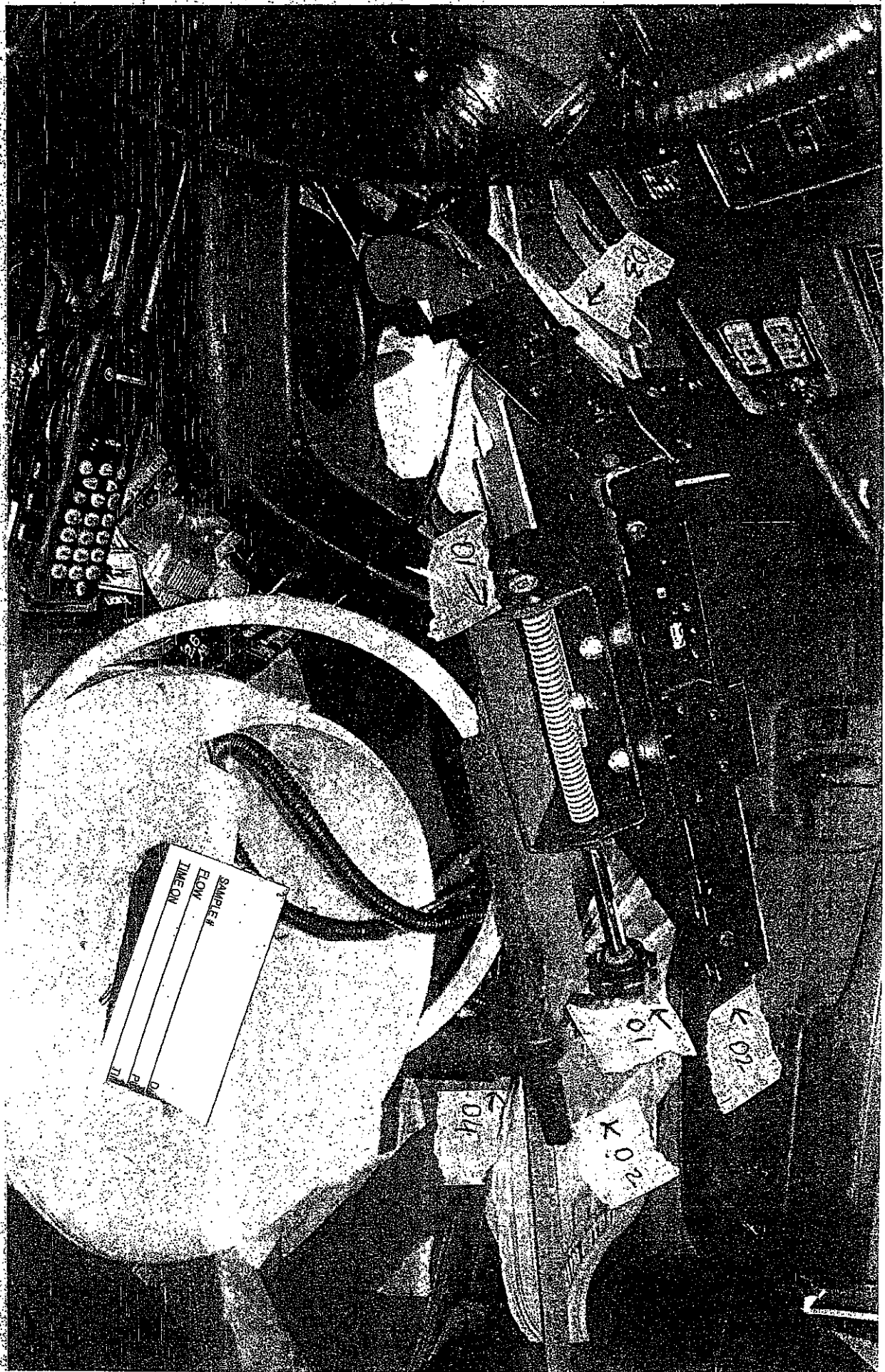
Two kinds of cradles exist:
dedicated: cradle designed exclusively for a particular model
universal: cradle designed to secure and fit any computer.

First Dock™ secures your computer into place, while also providing inputs, or connections, for your computer devices, such as scanner, bar code reader, keyboard, mouse, etc.

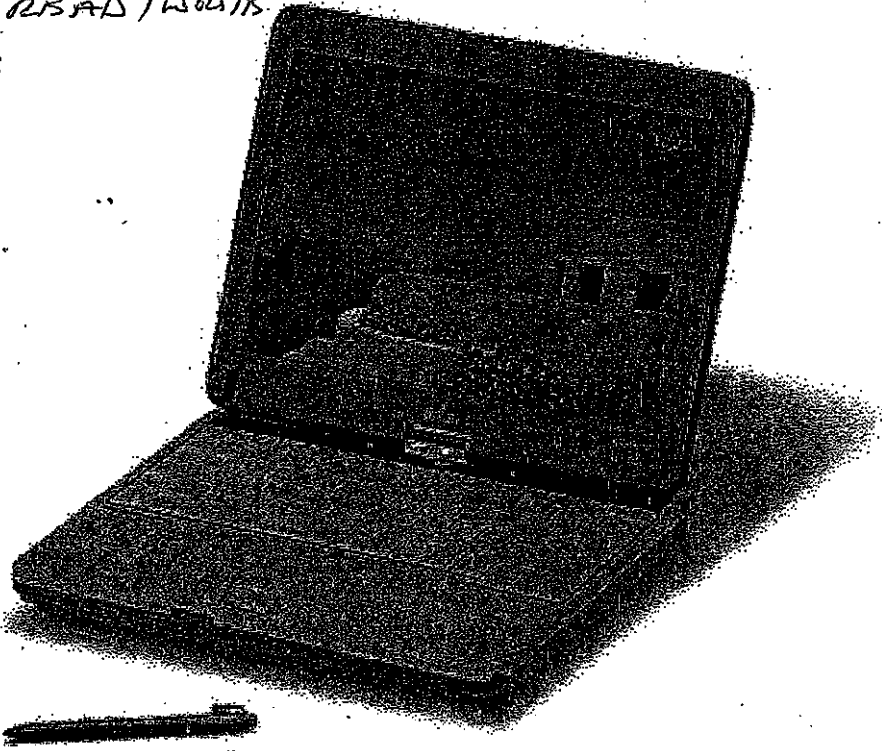
all First Docks are dedicated

NUMBER 1
PAGE 2 of 6

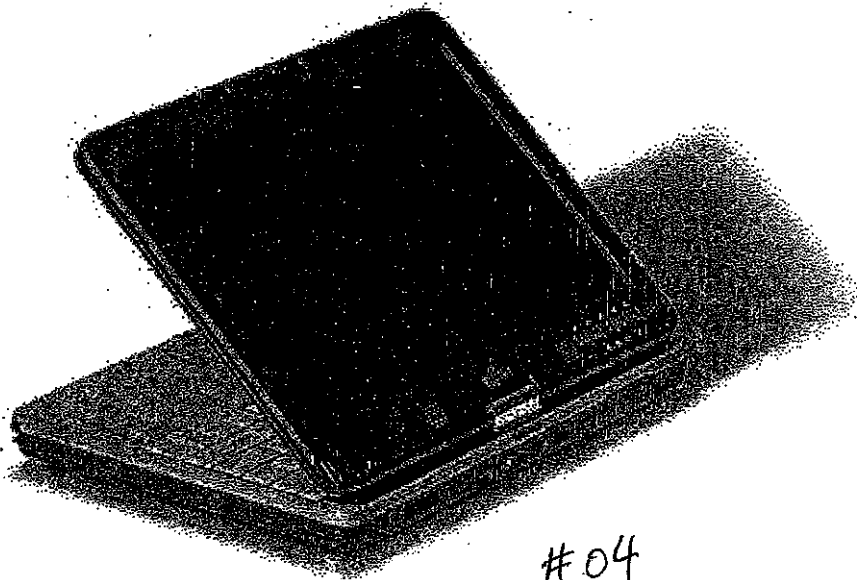
part 3 see 6
#05



Books HAVE IMPROVED
THIS IS A READ/WRITE
NOTE BOOKS

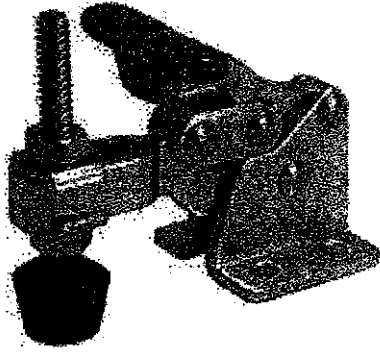


An IMPROVED BOOK



#04

PAGE 4 OF 6



this is an other clamp/clasp
The clamp can be rigdely use on the floor

page 4 of 6

#05

page 5 of 6

PIPE CLAMP - 1 INCH PLATED STEEL



Pipe Clamp - 1" Plated Steel

Description	Part No.	Price	Buy
CLAMPS-PIPE,1" PLATED STEEL	04-01672	\$0.31	<input type="checkbox"/>

ALTERNATE Configurations
 the clamp can be used on the;
 Floor
 sides of the vehicle
 this clamp can be use on the roof of a vehicle

#06

AO 399 (Rev. 10/95)

WAIVER OF SERVICE OF SUMMONS

TO: CHARIZIE OTTAW (NAME OF PLAINTIFF'S ATTORNEY OR UNREPRESENTED PLAINTIFF)

I, 1ST MOBILE TECHNOLOGIES (DEFENDANT NAME), acknowledge receipt of your request

that I waive service of summons in the action of 1ST MOBILE TECHNOLOGIES (CAPTION OF ACTION)

which is case number CAB#10 CIV 07296 (CM) (DOCKET NUMBER) in the United States District Court

for the Southern District of New York

I have also received a copy of the complaint in the action, two copies of this instrument, and a means by which I can return the signed waiver to you without cost to me.

I agree to save the cost of service of a summons and an additional copy of the complaint in this lawsuit by not requiring that I (or the entity on whose behalf I am acting) be served with judicial process in the manner provided by Rule 4.

I (or the entity on whose behalf I am acting) will retain all defenses or objections to the lawsuit or to the jurisdiction or venue of the court except for objections based on a defect in the summons or in the service of the summons.

I understand that a judgment may be entered against me (or the party on whose behalf I am acting) if an

answer or motion under Rule 12 is not served upon you within 60 days after 07 March 2011 (DATE REQUEST WAS SENT)

or within 90 days after that date if the request was sent outside the United States.

(DATE) (SIGNATURE)

Printed/Typed Name:

As (TITLE) of (CORPORATE DEFENDANT)

Duty to Avoid Unnecessary Costs of Service of Summons

Rule 4 of the Federal Rules of Civil Procedure requires certain parties to cooperate in saving unnecessary costs of service of the summons and complaint. A defendant located in the United States who, after being notified of an action and asked by a plaintiff located in the United States to waive service of summons, fails to do so will be required to bear the cost of such service unless good cause be shown for its failure to sign and return the waiver.

It is not good cause for a failure to waive service if a party believes that the complaint is unfounded, or that the action has been brought in an improper place or in a court that lacks jurisdiction over the subject matter of the action or over its person or property. A party who waives service of the summons retains all defenses and objections (except any relating to the summons or to the service of the summons), and may later object to the jurisdiction of the court or to the place where the action has been brought.

A defendant who waives service must within the time specified on the waiver form serve on the plaintiff's attorney (or unrepresented plaintiff) a response to the complaint and must also file a signed copy of the response with the court. If the answer or motion is not served within this time, a default judgment may be taken against that defendant. By waiving service, a defendant is allowed more time to answer than if the summons had been actually served when the request for waiver of service was received.

AO 398 (Rev. 12/93)

NOTICE OF LAWSUIT AND REQUEST FOR WAIVER OF SERVICE OF SUMMONS

TO: (A) MR BRADLEY THOMAS as (B) PRESIDENT of (C) 1ST MOBILE TECHNOLOGYS

A lawsuit has been commenced against you (or the entity on whose behalf you are addressed). A copy of the complaint is attached to this notice. It has been filed in the United States District Court for the

(D) Southern District of New York and has been assigned docket number (E)

This is not a formal summons or notification from the court, but rather my request that you sign and return the enclosed waiver of service in order to save the cost of serving you with a judicial summons and an additional copy of the complaint. The cost of service will be avoided if I receive a signed copy of the waiver within (F) 10 CIV 07296(CM) days after the date designated below as the date on which this Notice and is sent. I enclose a stamped and addressed envelope (or other means of cost-free return) for your use. An extra copy of the waiver is also attached for your records.

If you comply with this request and return the signed waiver, it will be filed with the court and no summons will be served on you. The action will then proceed as if you had been served on the date the waiver is filed, except that you will not be obligated to answer the complaint before 60 days from the date designated below as the date on which this notice is sent (or before 90 days from that date if your address is not in any judicial district of the United States).

If you do not return the signed waiver within the time indicated, I will take appropriate steps to effect formal service in a manner authorized by the Federal Rules of Civil Procedure and will then, to the extent authorized by those Rules, ask the court to require you (or the party on whose behalf you are addressed) to pay the full costs of such service. In that connection, please read the statement concerning the duty of parties to waive the service of the summons, which is set forth at the foot of the waiver form.

I affirm that this request is being sent to you on behalf of the plaintiff, 07 day of this MARCH, 2011

[Handwritten signature]

Signature of Plaintiff's Attorney or Unrepresented Plaintiff

- A—Name of individual defendant (or name of officer or agent of corporate defendant)
B—Title, or other relationship of individual to corporate defendant
C—Name of corporate defendant, if any
D—District
E—Docket number of action
F—Addressee must be given at least 30 days (60 days if located in foreign country) in which to return waiver



US007152840B2

(12) **United States Patent**
Ottah et al.

(10) Patent No.: **US 7,152,840 B2**
(45) Date of Patent: **Dec. 26, 2006**

(54) **BOOK HOLDER**

(76) Inventors: **Chikezie Ottah**, 1035 Clarkson Ave., Apt 5a, Brooklyn, NY (US) 11212; **Chineye Ottah**, 4th Ave #6, TransEku, GRA, Enugu State (NG); **Keneth Ottah**, 4th Ave #6, TransEku, GRA, Enugu State (NG)

(*) Notice: Subject to any disclaimer, the term of this patent is extended or adjusted under 35 U.S.C. 154(b) by 0 days.

(21) Appl. No.: 10/366,779

(22) Filed: Apr 24, 2003

(65) **Prior Publication Data**
US 2004/0214154 A1 Oct. 28, 2004

(51) Int. Cl. **A47B 5/04** (2006.01)

(52) U.S. Cl. 248/444.1

(58) Field of Classification Search 434/179, 434/308, 309, 317, 322, 365, 428, 430, 432, 248/441.1, 444, 445, 448, 449, 450, 451, 248/454, 458

See application file for complete search history.

(56) **References Cited**
U.S. PATENT DOCUMENTS

1,377,230 A * 5/1921 Taylor 248/454
2,439,950 A * 4/1948 Rogers 248/447
2,627,694 A * 2/1953 Saecker 248/447
3,351,312 A * 11/1967 Ballas 248/448
3,408,032 A * 10/1968 Francis 248/450
3,497,882 A * 3/1970 Weeks 482/148

4,021,013 A * 5/1977 Wiersma 248/453
4,431,156 A * 2/1984 Mena 248/445
4,553,728 A * 11/1985 Corsello 248/452
4,591,124 A * 5/1986 Hellenbrand et al. 248/447.2
4,790,506 A * 12/1988 Malinowski et al. 248/441.1
4,867,407 A * 9/1989 Becker 248/444.1
5,054,736 A * 10/1991 Champoux 248/444
5,059,149 A * 10/1991 Stone 446/73
5,460,102 A * 10/1995 Pasmanick 108/43
5,595,489 A * 1/1997 Kwon 434/319
5,615,856 A * 4/1997 Simington 248/452
5,709,365 A * 1/1998 Howard 248/454
5,755,423 A * 5/1998 Michela 248/459
5,855,329 A * 1/1999 Pagano 248/451
5,884,888 A * 3/1999 Grimes et al. 248/441.1
6,045,179 A * 4/2000 Harrison 297/188.2
6,064,855 A * 5/2000 Ho 434/317
6,202,973 B1 * 3/2001 Navarin et al. 248/444

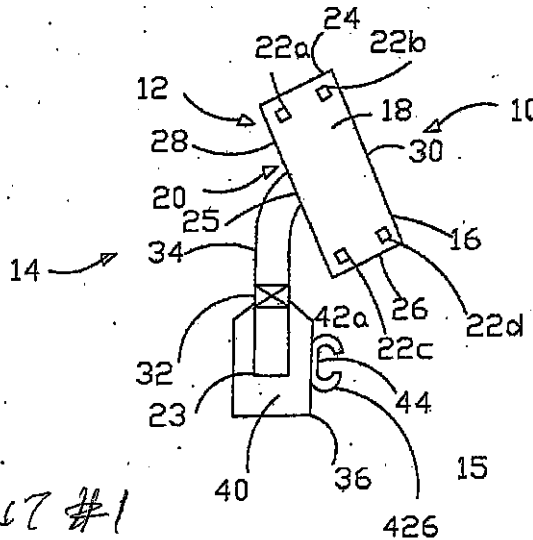
* cited by examiner

Primary Examiner—Kurt Fernstrom
(74) Attorney, Agent, or Firm—James D. Palmatier; Applied Patent Services

(57) **ABSTRACT**

A book holder removably attachable to a vehicle or structure such as a stroller, walker, wheelchair or car seat for mobile applications. The book holder for holding a book or drawing surface in a usable position thereon for by the occupant of the vehicle. The book holder comprising an adjustable clasp on the vehicle, an arm extending to a book platform, the arm providing rotational pivotal and axial adjustment to hold the platform in spaced relation to the clasp. A plurality of spring biased clamps on the platform to secure the book to the book holder.

1 Claim, 4 Drawing Sheets



ATTACH DOCUMENT #1

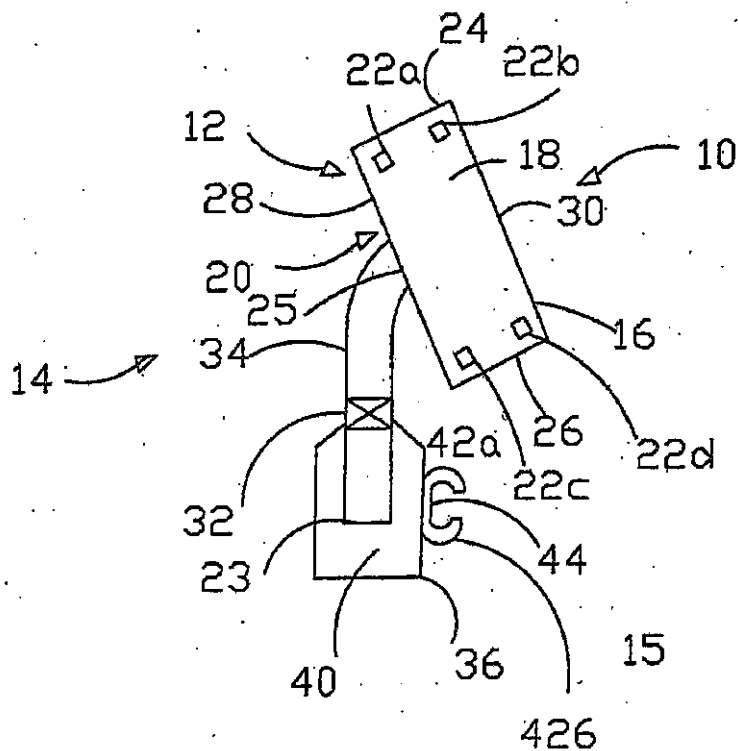


Fig. 1

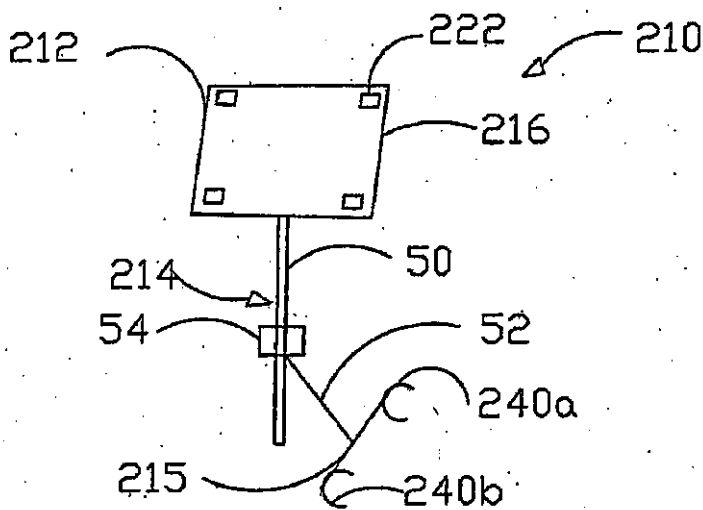


Fig. 2

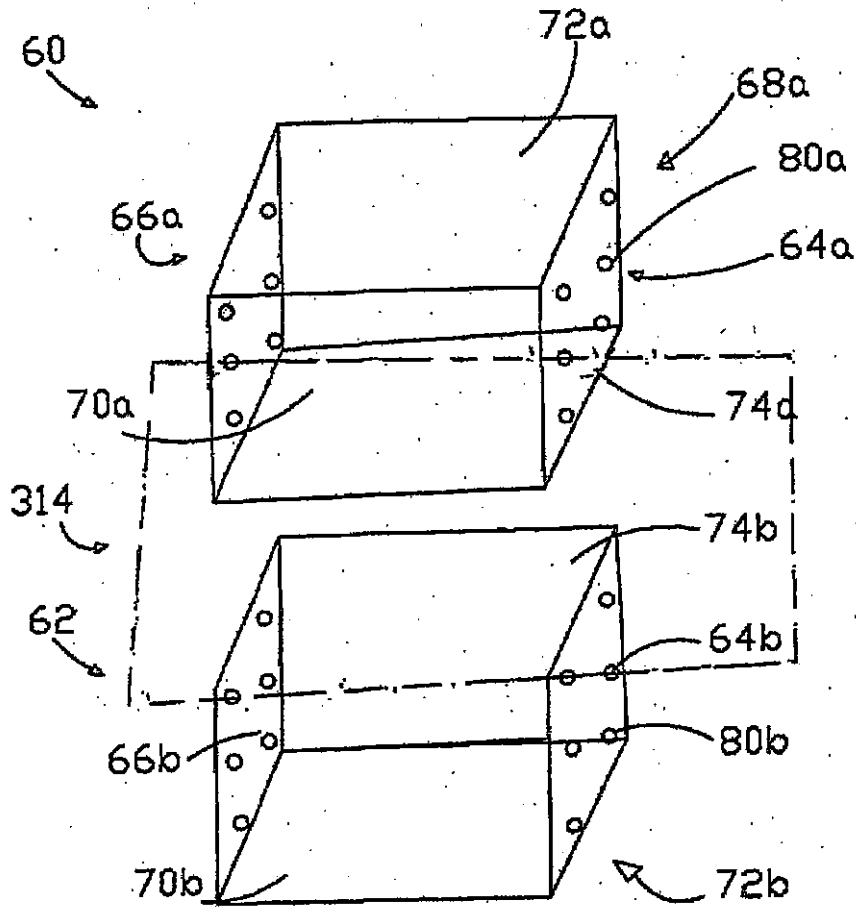


Fig. 3

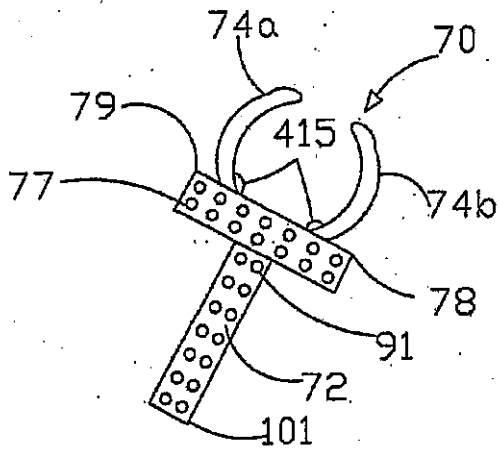


Fig. 5

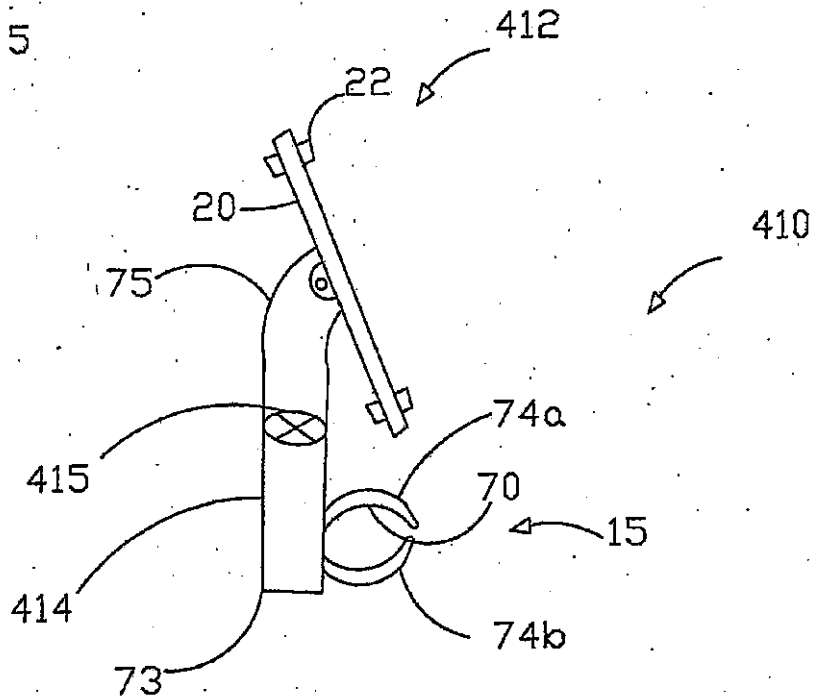


Fig. 4

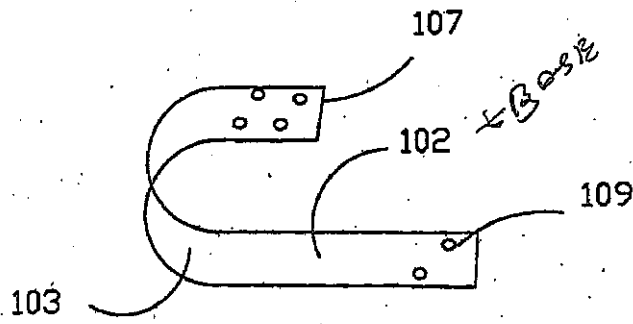


Fig. 7

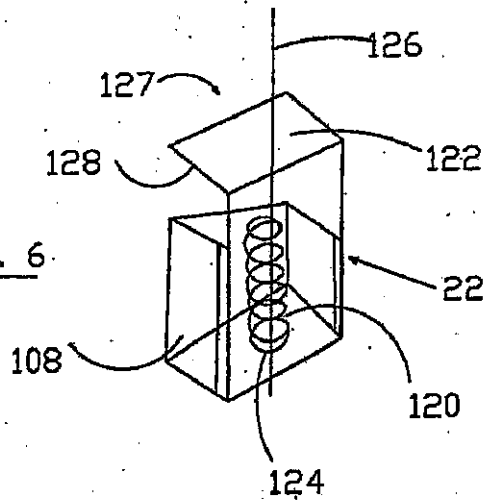


Fig. 6

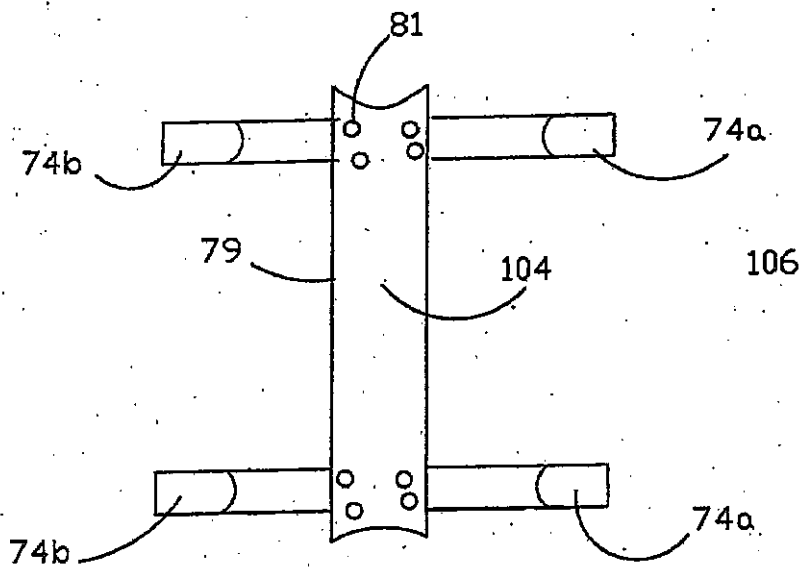


Fig. 8

US 7,152,840 B2

1

BOOK HOLDER**BACKGROUND OF THE INVENTION****1. Field of the Invention**

The present invention relates generally to a removable book holder assembly for use by a person in a protective or mobile structure such as a car seat, wheelchair, walker, or stroller. The Book holder having an adjustable, releasable clipping means and a support arm configured for axial, rotational and pivotal adjustment of the book supporting surface of the book holder to hold a book in a readable position in front of the user.

2. Description of the Related Art

The prior art of book holders comprises a variety of devices for supporting a book on a platform in a position for viewing or reading. A conventional book holder includes a supporting structure for supporting the book support on a table. The platform is supported by a table or other such flat structure as seen in the Michela U.S. Pat. No. 5,755,423 for a FOLDING PORTABLE SUPPORT STAND, wherein a device is disclosed comprising hinged covers folding into a support structure for holding a book in the open position on a flat horizontal surface.

The prior art also discloses structures built around the person to hold a book in useful relation such as the ADJUSTABLE BOOK HOLDER in U.S. Pat. No. 6,202,973 to Navarin et al. In the '973 patent a structure is disclosed for holding a book in a readable position on a structure attachable to the reader's torso. The Weeks U.S. Pat. No. 3,497,882 for SUPPORT MECHANISM FOR SUPPORTING VARIOUS DEVICES TO BE EMPLOYED IN COOPERATION WITH A HOSPITAL BED likewise discloses a support structure disposed over the bed and a book holder slidably mounted on the support structure for holding the book in reading position while the reader is lying in bed.

The Wiersma U.S. Pat. No. 4,201,013 for a BOOK HOLDING DEVICE discloses a detachable device for use on a bed to suspend a book holder from over the reader's head. The Wiersma device is clamped to a headboard of a bed using C-clamps.

The book holders disclosed in the prior art suffer from a number of disadvantages. In particular, such book holders include do not provide an adequate solution for young children or mobility limited adults. These people spend a significant amount of their time outdoors (e.g., parks, beaches, playground, theme parks, etc) and conventional book holders are primarily designed for indoor use. The book holders in the prior art lack the ease of application to a mobile vehicle such as a wheelchair or stroller to allow the reader to have mobility to explore their environment in a stationary sitting or reclining position while reading a book supported on the mobile vehicle. As a result, the learning benefits are significantly reduced.

The prior art does not accommodate easy and quick attaching the book support onto a structure for mobile use. Thus there is a need for an improved Book Holder that is quickly and easily clipped to a mobile vehicle such as a wheelchair or stroller for holding the book in a reading position in spaced relation to the clip.

SUMMARY OF THE INVENTION

It is an object of the present invention to provide a book holder that can be easily and removably attached to and removed from a bar or portion of the mobile vehicle without tools.

2

It is an object of the present invention to provide an adjustable clasp for attaching the book holder to the mobile vehicle to easily and quickly attach or detach the book holder.

It is further object of the present invention to provide an arm between the clasp and the book support platform to hold the book in spaced relation from the clip.

It is another object of the present invention to provide a pivotal attachment between the clasp and the support platform to hold the book on the support platform at a selected angle with respect to the reader for ease of viewing.

It is another object of the present invention to provide a telescoping arm between the clasp and the book support platform to axially adjust the position of the support platform with respect to the clasp to position the platform in a position for ease of viewing by the reader.

It is another object of the present invention to provide a book holder having an elongate arm with a rotational adjustment to rotate the position of the support platform with respect to the clasp to a position for ease of viewing by the reader.

It is another object of the present invention to provide a clasp comprising a clip having an adjustable, resilient arm for removably attaching to a mounting structure on the mobile vehicle.

It is another object of the present invention to provide a locking means on the book holder to retain the rotational, pivotal and axial position of the support platform with respect to the clasp.

It is another object of the present invention to provide a support platform adaptable for use as a writing board.

It is another object of the present invention to provide a connector means for removably securing a book to the book holder in a reading position.

BRIEF DESCRIPTION OF THE DRAWINGS

FIG. 1 is a perspective view of a book holder showing a first embodiment of the present invention;

FIG. 2 is a schematic view of a book holder according to a second embodiment of the present invention;

FIG. 3 is an exploded view of a book holder illustrating the square telescoping arm;

FIG. 4 is a side perspective view of the book holder of FIG. 1 illustrating an alternative clip arrangement;

FIG. 5 is a perspective view of an adjustable clip;

FIG. 6 is a perspective view of a book clamp.

FIG. 7 is a perspective view of a clip arm.

FIG. 8 is an elevation view of a plurality of clip arms from FIG. 7 on the clasp for releasable attachment of the book holder to a mobile vehicle.

DETAILED DESCRIPTION OF THE INVENTION

Referring to FIG. 1 there is illustrated a book holder assembly 10 according to the first embodiment of present invention. The book holder 10 comprises a book platform 12 and an adjustable arm 14 and a clasp 15. The book platform 12 includes a generally planar panel 16 having a front 18 and a rear surface 20. The front surface 18 is configured to hold a book or suitable for use as a writing/drawing board (eg a white-board, a blackboard, an electronic board). The rear surface 20 of the book platform 12 is attached to the adjustable support arm 14 at angle suitable for reading. The book platform 12 can be integrally formed with the support arm 14 such that the support arm 14 forms a portion of the

US 7,152,840 B2

3

book support protrudes from the rear surface 20 of the panel 16. Preferably, though the supporting arm 14 and the book platform 12 are provided as separate items to be assembled by the user.

Mounted to the front surface 18 of panel 16 are two pairs of spring biased book clamps 22 for securing a book (not shown) to the book holder 10. The first pair of spring biased book clamps 22a, 22b is located near the top edge 24. The second pair of spring biased book clamps 22c, 22d is located near the bottom edge 26.

Continuing to refer to FIG. 1 the panel 16 may be made of plastic and the book clamps 22 made of steel covered by plastic. However, other materials such as wood, metal, etc., and combination thereof may be used in the manufacturing of the book holder assembly 10.

The arm 14 comprises a first end 23 and second end 25. The clasp 15 is on the first end 23. The second end 25 is a spaced from the first end 23. The second end 25 is adjustably attached to the book platform 12. The arm 14 includes a telescoping arrangement 32 in which an upper support portion 34 of the support arm 14 slides within a lower support portion 36 and is held at a selected position by a locking member 55 (FIG. 2). The lower support portion 36 of the support arm 14 is attached to the clasp 15. The clasp 15 comprises one or more clips 40 for removeably attaching the book holder 10 to the mobile vehicle (not shown).

The clips 40 are adjustable in shape and size to fit the shape and size of the supporting frame member on the mobile vehicle (not shown). The clips 40 comprise a pair of resilient C-shaped clip arms 42 adjustably attached to the clip 40. The first clip arm 42a is spaced from the second clip arm 42b in order to tightly retain the supporting frame member of the mobile vehicle (not shown) therebetween. To secure the book holder 10, the user forces the clip arms 42a and 42b apart to allow the frame member to slip between the clip arms 42a, 42b. The clip arms 42a, 42b then snap resiliently together to hold the book holder 10 to the frame member (not shown) of the mobile vehicle (not shown).

Referring to FIG. 2, the book holder 210 comprises a book support platform 212, a generally planar panel 216, a support arm 214 and a dual clasp 215. The support arm 214 comprises a support member 50 extending from the middle section of the panel 216, an elongate arm 52 and an adjustable angle mount 54. The angle mount 54 connects the support member 50 to the elongate arm 52 to hold the panel 216 in spaced relation to the clasp 215. The angle mount 54 comprises locking member 55 to hold the panel 216 and clasp 215 in the user selected position. The angle mount 54 allows the panel 216 to be adjusted both axially and rotationally with respect to the clasp 215. The book support 212 may be pivotally mounted (FIG. 4) to the support member 50 to allow the panel 216 to be pivoted with respect to the support member 50.

Continuing to refer to FIG. 2, the dual clasp 215 comprises a clip bar 238 and a pair of clips 240 attached to the clip bar 238. The clips 240 are spaced from each other to provide a secure attachment to the mobile vehicle (not shown). As a result, the book holder 210 of FIG. 2 is adjustable for height and rotation and pivotal angle with respect to the clasp 215.

Referring now to FIG. 3 an alternative support arm 314 comprises concentrically mounted, square tube members 60, 62. The open box-shaped male member 60 is adapted to attach to a book support platform (12, FIG. 1) on one end and slidably insert into member 62 with the other end. The male member 60 is adapted for separable, concentric inter-connection with the female member 62 to form a telescoping

4

arrangement for axial adjustment of the spaced relational distance between the book support 312 and the female member 62. The male member 60 comprises a front portion 64a, a back portion 66a, a pair of side portions 68a and 70a, a lower portion 72a, and a top 74a. The side portions 68a and 70a of the male member 60 have holes 80a formed in a pattern therein. The top 74a is adapted to attach to the book support (12, FIG. 1). The female member 62 comprises a front portion 66b, a back portion 68b, a pair of side portions 64b and 70b, a lower portion 72b, and an open top 74b. The side portions 64b and 66b of the male member 62 have holes 80b formed therein for concentric alignment with the holes 80a in the male member 60. The lower portion 72b is adapted to attach to the clasp 15. The male member 60 fits slidably into the female member 62 such that at least one hole 80a in the side wall 64a of male member 60 is concentrically aligned with a hole 80b in the adjacent side wall 64b of the female member 62 at a predetermined position to axially space the clasp 15 from the book support (12, FIG. 1). The user then fixes the male member 60 to the female member 62 by connector means (not shown).

FIG. 4 illustrates a book holder 410 comprising a book support 412 and a support arm 414. The support arm 414 comprises a clasp 15, a lower section 73 and an upper section 75. The clasp 15 comprises an adjustable clip 70 mounted on the lower section 73. The adjustable clip 70 is rotatable with respect to the arm 414 to removably attach the book holder 410 to a vertical or horizontal object (eg, a pole) (not shown) on the mobile vehicle. The arm connector 415 rotatably and slidably attaches the lower section 73 of the supporting arm 414 to the upper section 75. The upper section 75 has pivotal connector 420 (FIG. 4) on the book support 412. The clip 70 has adjustable clip arms 74a, 74b to allow different sizes of objects to be attached to the book holder 410. The position of the clip arms 74a, 74b along the clip body 78 can be selectively fixed by a screw 415.

Referring to FIG. 5, the clasp 15 includes a clip body 101 and a pair of clips arms 74a, 74b extending from the clip body 101. The clip 70 comprises a clip head 79 having a plurality of holes 77 fastener. The clip arms 74a, 74b are mounted on the clip head 79 in spaced relation to securely and removably attach the book holder 410 (FIG. 4) to the mobile vehicle (not shown). The body 101 of the clip 70 may have a plurality of holes 91 formed therein in spaced relation to each other for adjustable connection of the clip 70 to the arm 414 (FIG. 4). Each clip arm is attached to the clip body in one of several selectable positions along said clip body. Preferably, the clip 70 includes a clip body 101 on the arm 414, a clip head 79 on the clip body 101 and a plurality of clip arms 74a, 74b removably attached to the clip head 79. A screw 415 or other fastener is removably attached to the clip head 79 for selectively fixing the position of said clip arm along said clip body. The clip means may alternatively be a spring clip or include at least one resilient clip arm.

Referring to FIG. 6 the head 79 is shown with two sets of clip arms 74a, 74b. Each clip arm 74a and 74b is attached by fastener 81 which may be removable such as a screw. The arms 74 are thereby adjustably spaced from each other to adapt to resiliently clasping onto a mounting portion of the mobile vehicle (not shown).

Referring to FIG. 7 a clip arm 74 is shown comprising a flex section 103, a base 102 and a tip 107. The base 102 has one or more holes 109 formed therein for aligning with a hole on the clip head 79 to accommodate attaching the clip arm 74a to the clip head 79 by screw, rivet or other mechanical fastener 81. The clip arms 74a, 74b are attached to the clip head 79 in a C relation (FIG. 6) to form adjustable

US 7,152,840 B2

5

clasp 15. The flex section 103 allows the tip 107 to deflect from its rest position to accommodate the portion of the vehicle to be attached to be disposed between the clip arms 74a, 74b. The resilient material of the lip arms 74a, 74b urges the tip 107 back to the rest position causing the clip arm 74a, 74b to bear against the vehicle to removably attach the book holder 10 to the vehicle (not shown). Tip 107 may also have holes 109 formed therein for alternate configurations on head 79 (FIG. 6) or alternate attachment methods.

Referring to FIG. 8, a book clamp 22 comprising a body 108, a spring 120 and a slidable grip 122. The slidable grip 122 is slidably mounted to the body 108. The spring 120 has a first end 124 on the body 108 and a second end 126 on the grip 122 to urge the grip in the clamped position 127. The book clamp 22 is mounted to the panel 16 having the grip 122 extending from the front surface 18 for engaging a book or other device to be retained on the book holder 10. The spring 129 and slidable attachment between the grip 122 and the clamp body 108 allow the grip to be moved into position to engage the book with the finger portion 128 of the grip 122. The spring 120 bears against the grip 122 to hold the book against the front surface 18 thereby securing the book (not shown) to the book holder 10.

In use, the book holder 10 is attached to the vehicle (not shown) by use of the clasp 15. The clasp 15 is rotationally adjusted on the support structure on the vehicle to begin the book holder 10 adjustment to a usable position. The telescoping mechanism in the arm 14 is used to axially adjust the spacing between the clasp 15 and the support platform 12. The rotational coupling between the first end of the arm 14 and the second end of the arm is used to rotate the support platform around the axis of the arm 14 to an operable position. Lastly, the pivotal connection 420 (FIG. 4) between the arm 14 and the support platform 12.

The book platform 12 may also be used to support such items as audio/video equipment, PDAs, or mobile phones, cameras, computers, musical instruments, toys, puzzles and games. The panel 16 may be provided with a set of mounting positions for receiving and/or mounting the above items (NOT SHOWN).

6

Although the invention has been described above in connection with particular embodiments and examples, it will be appreciated by those skilled in the art that the invention is not necessarily so limited, and that numerous other embodiments, examples, uses, modifications and departures from the embodiments, examples and uses are intended to be encompassed by the claims attached hereto. The entire disclosure of each patent and publication cited herein is incorporated by reference, as if each such patent or publication were individually incorporated by reference herein.

We claim:

1. A book holder for removable attachment, the book holder comprising:

a book support platform, the book support platform comprising a front surface, a rear surface and a plurality of clamps, the front surface adapted for supporting a book, the plurality of clamps disposed on the front surface to engage and retain the book to the book support platform, the rear surface separated from the front surface; a clasp comprising a clip head, a clip body and a pair of resilient clip arms, the clip arms adjustably mounted on the clip head, the clip head attached to the clip body; and

an arm comprising a first end and a second end and a telescoping arrangement, the clasp on the first end, the second end pivotally attached to the book support platform, the telescoping arrangement interconnecting the first end to the second end, the clasp spaced from the book support platform wherein the book holder is removably attached and adjusted to a reading position by the telescoping arrangement axially adjusting the spaced relation between the book support platform and the clasp and the pivotal connection on the book support platform pivotally adjusting the front surface with respect to the arm.

A note book holder assembly for use by a person in a protective or and mobile structure such as a car, train, plain, boat wheelchairs etc. mechanical configuration requirements for tooling and technologies varies among this vehicles, string requirement for book holder by companies, organizations like caregivers, service groups, energy and mining companies will defer. US 7,152,840 was written that it covers all this various industrial demand for revolutionary mobile configured note book holder

US 7,152,840 recognized the classifications and needs of occupants mobile vehicles and their environment in designing and configuration of the mobile book holder, special requirements for configuration of mobile note books from those physically challenged to those in outdoor environment and bound on their vehicles (worker) to learn, query, share information, diagnose and repair on the field.

Fig.1 of the drawing, illustrated in sheet 1 of 4 sheets and explained for clarity in Fig.1 the embodiment in the specification, page 2, paragraph 15, "Referring to Fig.1 there is illustrated a book holder assembly 10 according to the first embodiment of present invention. The book holder 10 comprises a book platform 12 and an adjustable arm 14 and a clasp 15. the book platform 12 includes a generally planar panel 16 having a front 18 and a rear surface 20. the front surface 18 is configured to hold a book or suitable for use as a writing/drawing board (eg a white board, a blackboard, an electronic board). The rear surface 20 of the book platform 12 is attached to adjustable support arm 14 at angle suitable for integrally formed with the support arm 14 such that the support arm 14 forms a portion of the book support protrudes from the surface 20 of the panel 16. preferably, though the supporting arm 14 and the book platform 12 are provided as separate items to be assembled by the user.

Mounted to the front surface 18 of panel 16 are two pairs of spring biased book holder clamps 22 for securing a book (not shown) to the book holder 10. the first pair of spring biased book clamps 22a, 22b is located near the top edge 24. the second pair of spring book clamps 22c, 22d is located near the bottom edge 26.

Continuing to refer to Fig.1 the panel 16 may be made of plastic and the book clamps 22 made of steel covered by plastic. However, other materials such as wood, metal etc, and combination thereof may be used in the manufacturing of the book holder assembly 10.

The arm 14 comprises a first end 2 and second end 25. the clasp 15 is on the first end 23. the second end 25 is a spaced from the first end 23. the second end 25 is adjustably attached to the book platform 12. the arm 14 includes a telescoping arrangement 32 in which an upper support portion 34 of the support arm 14 slides within a lower support portion 36 and is held at a selected position by a locking member 55 (Fig.2) the low support portion 36 of the support arm 14 is attached to

the clasp 15. the clasp 15 comprises one or more clips 40 for removably attaching the book holder 10 to the mobile vehicle (not shown)

The clips 40 are adjustable in shape and size to fit the shape and size of the supporting frame member on the mobile vehicles (not shown) the clips 40 comprise a pair of resilient C-shaped clip arm 42 adjustably attached to the clip 40. the first clip armed 42a is spaced from the second clip arm 42b In order to tightly retain the supporting frame member of the mobile vehicle (not shown) there between. To secure the book holder 10, the user forces the clip arm 42a and 42b apart to allow the frame member to slip between the clip arms 42a, 42b. the clip arms 42a, 42b then snap resiliently together to hold the book holder 10 to the frame member (not shown) of the mobile vehicle (not shown).”

As Fig.1 illustrated in sheet 1 of 4 sheets, also explained in the specification, the embodiment, Fig.1, page 2, paragraph 15, and under lined above. The book holder platform 12 includes a generally planer panel 16 having a front 18 and a rear surface 20. the front surface 18 is configured to hold a book or suitable for use as writing/drawing board (e.g. a black board, a white board, an electronic board). US 7,152,840 as mentioned earlier recognized technological upgrade and how to apply book holder among deferent communities of users, example are health, education, telephone, power and or energy, mining, services and park and forestry.

This means that technological requirement in configuration of a mobile note book for an armpty defer from technologies requirement in configuration for person with muscular dystrophy and or a services person , and or a park and forestry ranger, and will defer from a service person on a boat and or car, the system tooling and mechanism will not be for black board, it will be for an electronic board (key Board). New and improved electronic technologies is/are motorized and require remote control for the note book holder because of the user special condition, the electronic system might be bionic, rely voice into data and video for the blind, deaf, senior citizen and children, with keys and other soft wares and they require note book holder with the same kind of technologies. Fig. 1 drawing, sheet 1 of 4. For clarity, in the embodiment, page 5 of the specification, paragraph 3, teach the tooling and mechanism for this new technologies.

MECHANICAL CONFIGURATION

Now gentlemen let start the basic mechanical configuration as is found in first mobile technologies and US 7,152,840. For clarity, Fig. 8 further teaches, as illustrated in page 4 of 4 of the drawing pages, and claimed. Fig. 8 in drawing page 4 of 4 illustrated a flat base, Fig 8 as illustrated further in drawing, teach method of configurations in the following embodiment in page 4, paragraph 4 and in the

embodiment as described in Fig 7 of the specification “referring to fig.7 a clip arm 74 is shown comprising a flex section 103, a base 102 and a tip 107. The base 102 has

one or more holes 109 formed therein for aligning with a hole on the clip head 79 to accommodate attaching the clip arm 74a to the clip head 79 by screw, rivet, or other mechanical fastener 81. The clip arms 74a, and 74b are attached to the clip head 79 in a C relation (fig.6) to form adjustable clasp 15. The flex section 103 allows the tip 107 to deflect from its rest position to accommodate the portion of the vehicle to be attached to be disposed between the clip arms 74a, 74b. The resilient material of the lip arms 74a, 74b and 74a 74b to bear against the vehicle to removably attach the book holder 10 to the vehicle (not shown). Tip 107 may also have holes 109 formed therein for alternate configurations on head 79 (fig. 6) or alternate attachment method” the method of the base as explain in this paragraph teaches that the base was mechanically configure from a solid floor base for some other makes and models of a vehicles that carries the like of note books, audio visual and other read and write technologies.

Fig. 8 in page 4 of 4 of the drawing pages, illustrated in the embodiment high lighted above is a base, in a different vehicle as the designed have shown below, the clasp clip or the clasps 74a and 74b was mechanically 81 configured to bear on the floor for firm and balance mount of book holder 10.

EXAMPLE OF A MECHANICAL CONFIGURATION

In another surfaces, or vehicle (s), or in mobile protective structure Fig 4, as illustrated in page 3 of 4 the drawing sheets and explained in the embodiment Fig. 7 of the specification, teach a note book holder 410 , with a clip arms 74a and 74b . this book holder can be mechanically configured with the base at Fig.8 page 4 of 4 the drawing for sheets.

Using the base in Fig. 8, page 4 of 4 in the claimed drawing sheets, and the book holder illustrated in Fig. 4 , page 3 of 4 of the drawing sheets. Mechanically assemble the base 79, let the base 104 rest on the mobile vehicle’s floor or (example are car, boat, train, and or plane) board. Assemble the note book holder as seen in Fig. 4, page 3 of 4, lower 73 structure assembled mechanically to line up in the position 414 of the user, the clasp or, 74a and 74b clip arms mechanically configured for the base support and or for the note book base structural stability, firm, and balance. At this point 415 the adjustable handle or adjustable arm is / was mechanically placed or slide atop the 73 the lower structure of Fig. 4. (slidably, swindle, axle horizontal and vertical, rotatable, movement etc.). lock system to stabilize note book holder during use or in motion.

COMPARE 1ST MOBILE TECHNOLOGIES NOTE BOOK HOLDER TO US 7,152,840 PATENT.

This is the parts as found in US 7,152,840 and labeled are;

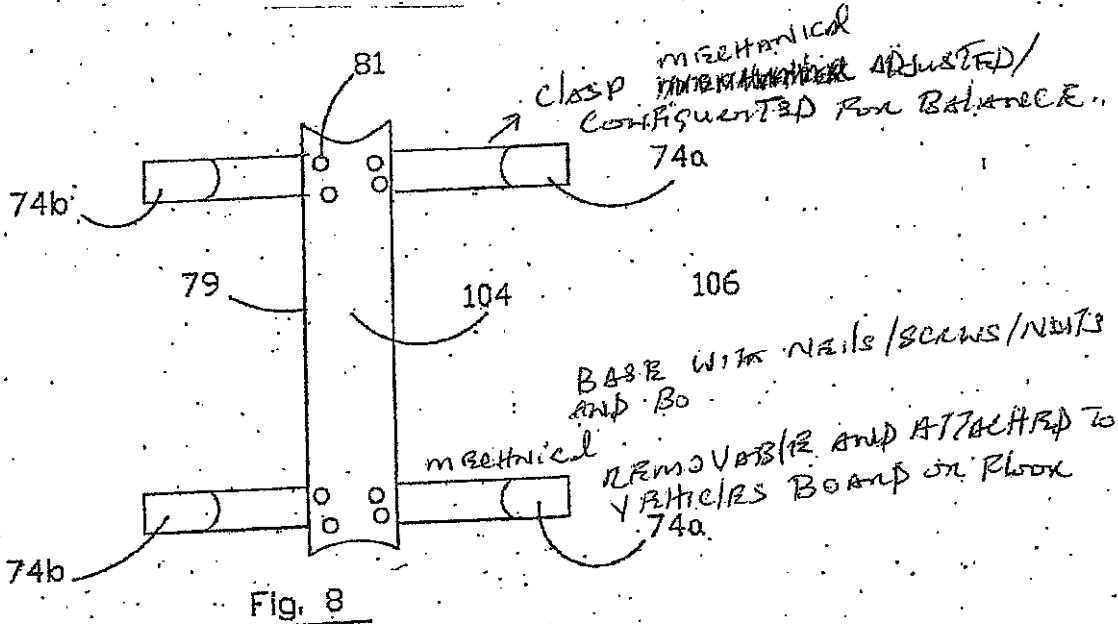
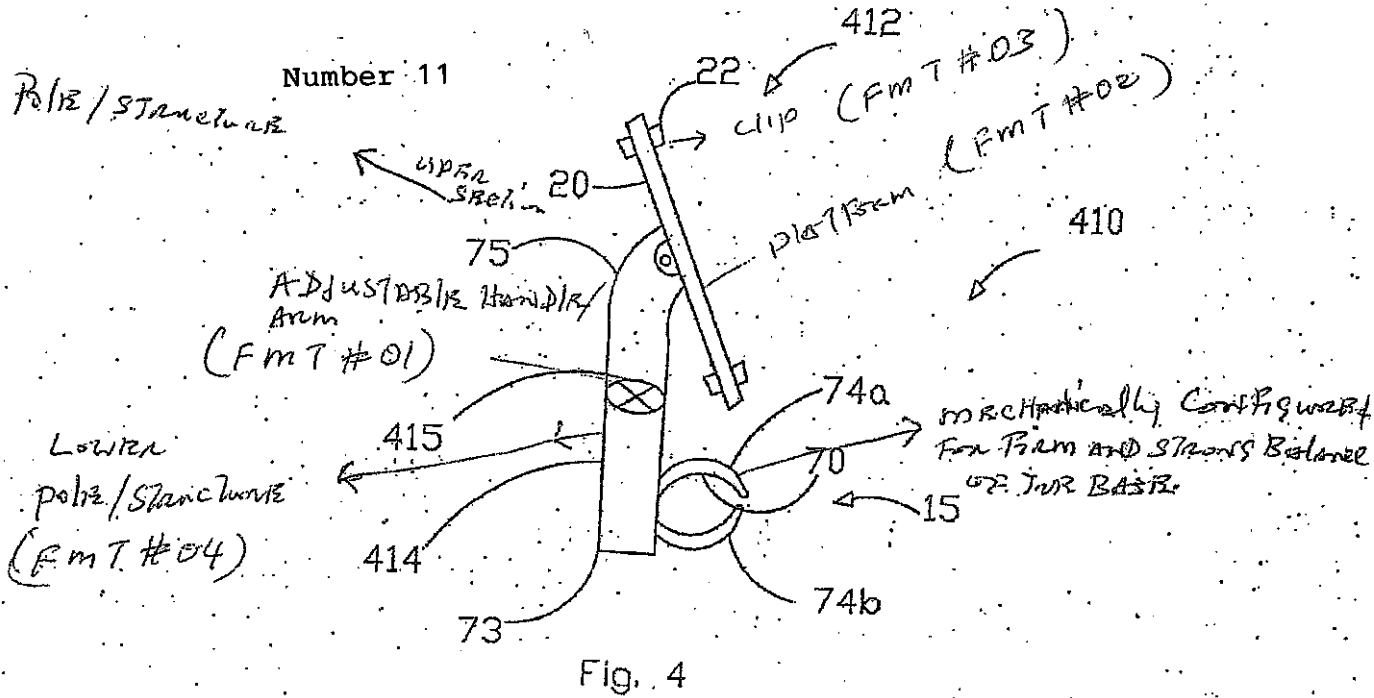
1 Clip	(Fig. 4 page 3 of 4)	22
2 Platform	(Fig. 4 page 3 of 4)	412
3 Adjustable handles/arms	(Fig. 4 page 3 of 4)	415
4 Pole/Structure	(Fig. 4 page 3 of 4)	414
5 Upper and lower side	(Fig. 4 page 3 of 4)	75 and 73
6 Base	(Fig 8 page 4 of 4)	79 and 104

Clasp or clasps clip from the book holder is / was mechanically configured for balance and support, 74a and 74b shape the base into a square firm, stability and balance. The base 81 is the holes for mechanically installation of screws, brackets, nuts, clamps etc as necessary to stabilize the book holder as it bears on the floor.

This is the parts as found in 1st Mobile Technologies note book holder, and labeled are;

1 Clips	03
2 Platform	02
3 Adjustable arm / handle	01
4 Pole / Structure	04
Base	05

The base is shaped like a V for stability on the floor, holes for mechanical insulation of screws, nut and brackets etc.



page 2 of 2
Number 11

HOME | ABOUT US | MANAGEMENT | CONTACT US

Top > Category

Products

Installations

Categories

Partners

Case Studies

Categories

Devices/Cables & Adapters

Top Plans

Notes

Case Reports & Accessories

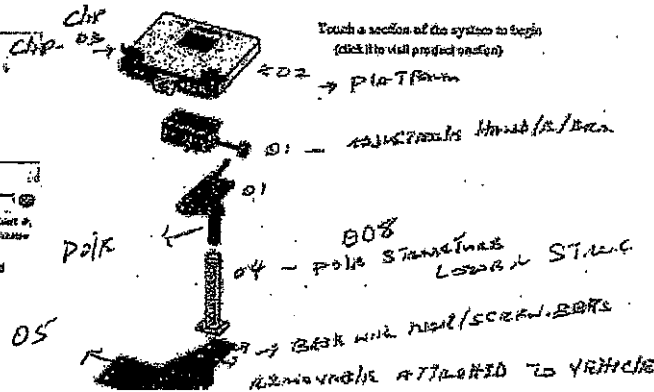
Search

Use keywords, part #, part name or vehicle type.

Advanced

Products Home

First Mobile Technologies' products are interchangeable and allow you to build a solution that best fits your needs. Roll over components below for details or click component to see products.



**Chikezie Ottah
1035 Clarkson Avenue
Suite 5A, Brooklyn, 11212 NY, USA
Phone: 718 518 4539**

**Hon. Collen McMahon
United State District Judge
United States District Court
Southern District of New York**

RE: Chikezie Ottah V. Frist Mobile Technologies, Case No. 1; 10-civ-07296-cm

Your Hon. Judge McMahon

Thank you for the opportunity to file the amended complain again. Your Hon. I have followed your instruction, but I dropped the package by the security at the entrance to the building by the request of the security, they informed me an inter office mail delivery person would deliver it to your office. The prove that I complied with your instruction was the time the defendants received their copies.

On Monday, 03/07/11 I will file the amended complain with the pro se office as directed by your office.

**Respectfully
Chikezie Ottah**

Number 13

Chikezie Ottah
Plaintiff

Case # 10 Civ 07296 CM
{Judge Colleen McMahon}

v

First Mobile Technologies
Defendant

SUMMARY AND RELIEF

The infringement have cost me, co-leagues and Kon Woryz Corp. contracts and slowed investment capital to develop and manufacture the goods in large scale. This products include computers, lap tops, and or note books, TV, flat TV plasma, other newly and improved entertainment product for mobile use.

Authentic and Law

Estimated earning from illegal sale and other contractual commitment in favor of 1st Mobile Technologies is over \$50 million. Therefore I ask the court to order 1st Mobile Technologies to pay me \$50 million in patent infringement and violation of my patent right. I pray that the court order 1st Mobile Technologies to acquire, purchase a permit or license from me in it future business producing book holders. The fact of the matter is which authenticity do 1st Mobile technologies products have, what base of legality does it posses.