

FILED	LOGGED
RECEIVED	COPY
1 FEB 19 2009 1	
CLERK U.S. DISTRICT COURT DISTRICT OF ARIZONA	
	DEPUTY

1 **Thomas J. McKenzie, Pro Se**
2 **6230 N. Camino Pimeria Alta**
3 **Tucson, AZ 85718**
4 **(520) 299-9082**

**IN THE UNITED STATES DISTRICT COURT
FOR THE DISTRICT OF ARIZONA**

5 THOMAS J. McKENZIE,
6
7 Plaintiff,
8 vs.

9 HERO INDUSTRIES;
10 HERO PRODUCTS GROUP,
11 I.C.T.C. HOLDINGS (WA) CORPORATION
12 I.C.T.C. HOLDINGS CORPORATION,
13
14 Defendants.

CASE NO. **CIV 09 0094 TUC DCB**
09-cv-94-TUC-DCB

COMPLAINT FOR PATENT
INFRINGEMENT AND DEMAND
FOR JURY TRIAL

Parties

1. Plaintiff: Thomas J. McKenzie, a United States citizen residing at 6230 N. Camino Pimeria Alta, Tucson, Arizona 85718
2. Defendants:
HERO Industries, 2719 Lake City Way, Burnaby, BC, Canada V5A2Z6
HERO Products Group, Vancouver Head Office and Factory I.C.T.C. Holdings Corporation, 720 Eaton Way, Delta, BC, Canada, V3M6J9
I.C.T.C. Holdings (WA) Corporation, PO Box 75, Custer, Washington, USA 98240-075
I.C.T.C. Holdings Corporation, 720 Eaton Way, Delta, BC, Canada V3M6J9

Jurisdiction

3. This Court has subject matter jurisdiction over Plaintiff's claims under 28 U.S.C. §1331 and §1338(a) and (b), §1391(c) and §1400(a) and (b) because they arise under the patent statutes of the United States, to-wit 35 U.S.C. §271-287.

4. This Court has personal jurisdiction over the Defendants because they voluntarily do business in the State of Arizona and this district.

Venue

5. Venue is proper in this district under 28 U.S.C. §1391(b) and (c) and §1400(b)

1 because the Defendants are corporations subject to personal jurisdiction in this district and have
2 committed acts of infringement therein.

3 **Background/Facts**

4 6. On November 21, 1995, United States Patent No. 5,468,383 ("the 383 patent") was
5 Duly and legally issued to Thomas J. McKenzie for an invention of a "FLUID FILTER
6 HOLDER," used for holding a flexible fine mesh fluid filter while a fluid, such as paint, is being
7 drawn through to remove contamination. A copy of "the 383 patent" is attached as "Exhibit A"
8 (six pages) to this Complaint.
9

10 7. On the 30th day of December 1996, Thomas J. McKenzie, owner of all rights, title and
11 Interest in and to "the 383 patent" assigned all rights, title and interest to McKenzie Product Co.
12 as shown by "Exhibit B" (three pages) attached to this Complaint.
13

14 8. On the 12th day of January 2009, McKenzie Product Co., owner of all rights, title and
15 interest in and to "the 383 patent" assigned all rights, title and interest, including the right to
16 assert claims for and recover damages for past or present known and unknown damages of patent
17 infringement, to Thomas J. McKenzie, as shown by "Exhibit C" (three pages) attached to this
18 Complaint.
19

20 9. Thomas J. McKenzie is the owner of all rights, title and interest in "the 383 patent,"
21 including the rights to recover damages for past, present and future acts of infringement.

22 10. "The 383 patent" is valid.

23 11. "The 383 patent" is enforceable.

24 12. At all times relevant to this action compliance with notice provisions of 35 U.S.C.
25 §287 with respect to "the 383 patent" has been complied with.
26
27
28

1 13. The Defendants imports, uses, offers to sell, and sells an Intake Syphon "Filter Cage
2 Kit" that contains a fluid filter holder identified as an "Intake Syphon Cage" that infringes the
3 claims of "the 383 patent".

4 14. The Defendants' actions pertaining to the importation, use, offering for sale, and sale
5 of the "Intake Syphon Cage" are not and have never been authorized by McKenzie Product Co.,
6 or the Plaintiff.

7 15. The Defendants have "Agents and Dealers" in numerous locations in the United
8 States of America that offer for sale and sells the "Intake Syphon Cage." This action by the
9 Defendants constitutes induced infringement of "the 383 patent" and are the same rights granted
10 to an "Exclusive Patent License" holder by a Patent Holder.

11 16. Defendants negotiated for and received a "FREE" sample of twelve (12) of "Fluid
12 Filter Holders" manufactured under "the 383 patent" and each sample was duly marked to
13 comply with the notice provisions of 35 U.S.C. §287.

14 **COUNT I: INFRINGEMENT OF UNITED STATES PATENT NO. 5,468,383**

15 17. The Plaintiff refers to and hereby incorporates herein paragraphs 1-16, inclusive, as
16 though fully set forth herein.

17 18. Defendants' actions as stated in paragraphs 1-16 above pertaining to the "Intake
18 Syphon Cage" constitute direct, contributory and induced infringement of "the 383 patent".

19 19. The Defendants' infringement of McKenzie Product Co. and the Plaintiff's exclusive
20 rights under "the 383 patent" has caused and continues to cause irreparable injury to the Plaintiff
21 for which there is no adequate remedy at law.

22 20. Therefore, the Plaintiff has suffered and continues to suffer damage, in an amount to
23 be established at trial, as a result of Defendants' infringement of "the 383 patent".
24

COUNT II

21. Defendants' action as stated in paragraphs 1-15 above and pertaining to the "Intake Syphon Cage" constitutes induced infringement of "the 383 patent" caused by the Defendants' actions as an "Exclusive Patent License Agent," that has never been granted to the Defendants.

COUNT III

22. The Plaintiff refers to and hereby incorporates herein paragraphs 1-21, inclusive, as though fully set forth herein.

23. Defendants' action as stated in paragraph 16 above demonstrates that the Defendants imported and sold the "Intake Syphon Cage" within the United States of America, knowing the same to be especially designed and adapted for the same use as "the 383 patent" and knowing that the "Intake Syphon Cage" was an infringement of "the 383 patent".

24. Defendants' action as stated in paragraphs 1-16 above demonstrates that the Defendants showed absolute disregard for the patent owner's exclusive rights under "the 383 patent" and the Defendants knowing and willing acts of infringement showed total disregard for the "Patent Laws of the United States of America."

DEMAND FOR RELIEF

WHEREFORE, Plaintiff Thomas J. McKenzie demands a jury trial and prays that this Court will find and award the Plaintiff judgment as follows:

A. Enter judgment in favor of the Plaintiff that the Defendants infringed "the 383 patent" and that the Defendants' infringement was direct, induced and contributory.

B. UNDER COUNT I: Determine at trial the number of "Intake Syphon Cages" sold by the Defendants, estimated to be more than 90,000, and assess damages against the Defendants

1 under 35 U.S.C. §284 or alternatively an amount sufficient to compensate the Plaintiff for the
2 damages caused by the Defendants' infringement of "the 383 patent".

3 C. UNDER COUNT II: Award the Plaintiff damages per year in an amount to be
4 determined at trial, for a period of not less than five and one-half years, for the Defendants'
5 knowing and willing acts to avoid the cost of a "Patent License".
6

7 D. UNDER COUNT III: Award the Plaintiff damages determined by the Court for the
8 Defendants' conscious and willful infringement and inappropriate regard for patent rights and the
9 "Patent Laws of the United States of America."

10 E. Award the Plaintiff pre-judgment and post-judgment interest on all damages awarded
11 to the Plaintiff.

12 F. Find that the Defendants' infringement of "the 383 patent" has been intentional and
13 willful and award the Plaintiff treble damages.
14

15 G. Permanently enjoin the Defendants, under 35 U.S.C. §283, against further
16 infringement of "the 383 patent," including any and all manufacture, offering for sale, or sale
17 within the United States, and any and all importation into the United States, of the "Intake
18 Syphon Cages," or any other product that may infringe any claim of "the 383 patent."
19

20 H. Declare that this case is an exceptional case and to award the Plaintiff attorney's fees
21 (if any) pursuant to 35 U.S.C. §285 and all costs and expenses of this action.

22 I. Grant the Plaintiff any and all additional relief to which this Court finds that the
23 Plaintiff is entitled.

24 

25 Thomas A. McKenzie
26 6230 N. Camino Pimeria Alta
27 Tucson, Arizona 85718
28 520-299-9082



US005468383A

United States Patent [19]
McKenzie

[11] **Patent Number:** 5,468,383
[45] **Date of Patent:** Nov. 21, 1995

- [54] **FLUID FILTER HOLDER**
- [76] **Inventor:** Thomas J. McKenzie, 6230 N. Camino Pimera Alta, Tucson, Ariz. 85718
- [21] **Appl. No.:** 202,429
- [22] **Filed:** Feb. 28, 1994
- [51] **Int. Cl.^o** B01D 35/00; B01D 35/02
- [52] **U.S. Cl.** 210/232; 55/492; 55/507; 55/508; 210/485; 267/167; 267/168; 267/178; 267/180
- [58] **Field of Search** 210/232, 356, 210/483, 487, 485; 239/462; 267/166, 167, 168, 178, 180; 55/492, 507, 508

5,252,210 10/1993 Kessel 210/452

OTHER PUBLICATIONS

Brochure Listing Accessories from Airlessco, Moorpark, Calif. (undated).

Primary Examiner—John Kim
Attorney, Agent, or Firm—H. Walter Clum

[57] **ABSTRACT**

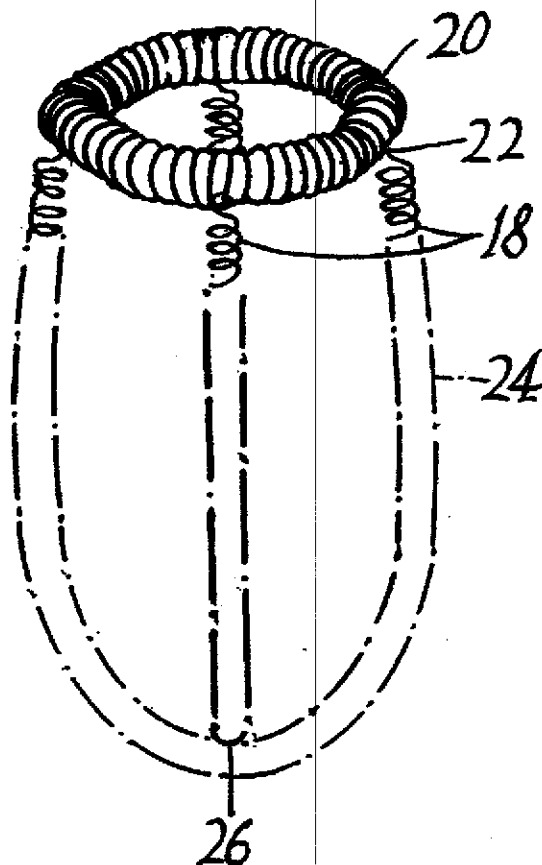
This invention is a device for holding a flexible fine mesh fluid filter 30 in a container 12 while a fluid, such as paint, is being drawn from the container by spraying equipment 8. More specifically, the invention comprises a ring of flexible material 20 and a plurality, preferably two, of elongate flexible members 18, ends of which are secured to the flexible ring, with their intermediate parts depending from the said ring, and secured together where they cross at their intermediate depending portions, and together with the flexible ring, forming a pocket over which a fine mesh fabric fluid filter is to be positioned and held. When so assembled in use the suction pipe of the spraying equipment with its filter is received within the pocket and held in the container to filter the paint, or other fluids as it is drawn from the container. In the best and preferred form of the invention, all of the parts above mentioned are in the form of coil springs, but it should not be considered so limited thereto.

[56] **References Cited**

U.S. PATENT DOCUMENTS

162,294	4/1875	Leiner	210/485
524,168	8/1894	Galster	210/483
991,872	5/1911	Meyer	210/459
3,744,222	7/1973	Delao	55/446
3,960,733	6/1976	Van Dieren	210/485
4,094,787	6/1978	Giordano	210/103
4,539,116	9/1985	Morin	210/445
4,559,140	12/1985	Croteau	210/497.2
5,064,533	11/1991	Anson	210/232
5,186,828	2/1993	Mankia	210/232
5,234,592	8/1993	Schneider	210/440

9 Claims, 2 Drawing Sheets



U.S. Patent

Nov. 21, 1995

Sheet 1 of 2

5,468,383

Fig. 2

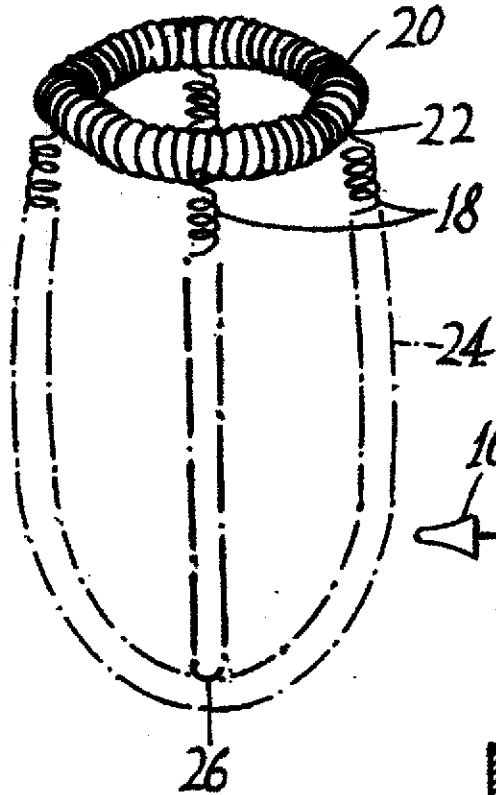


Fig. 1

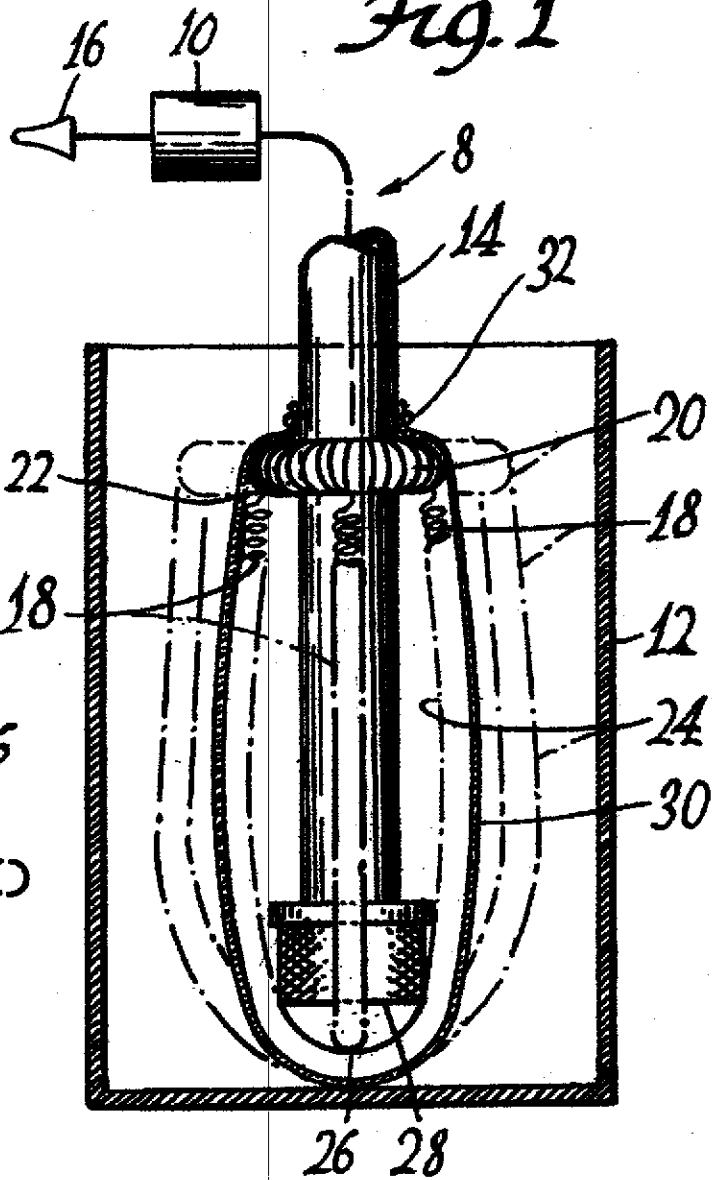
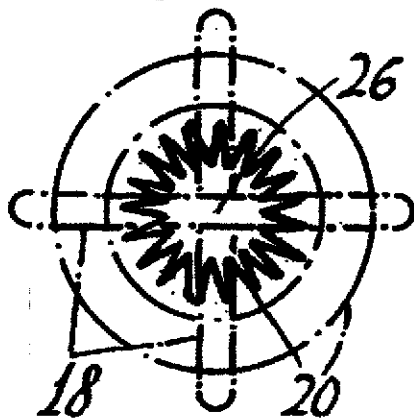


Fig. 3



U.S. Patent

Nov. 21, 1995

Sheet 2 of 2

5,468,383

Fig. 4

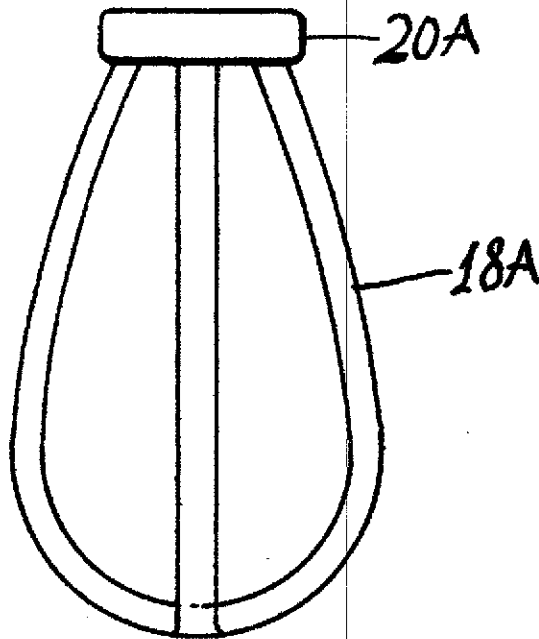


Fig. 5

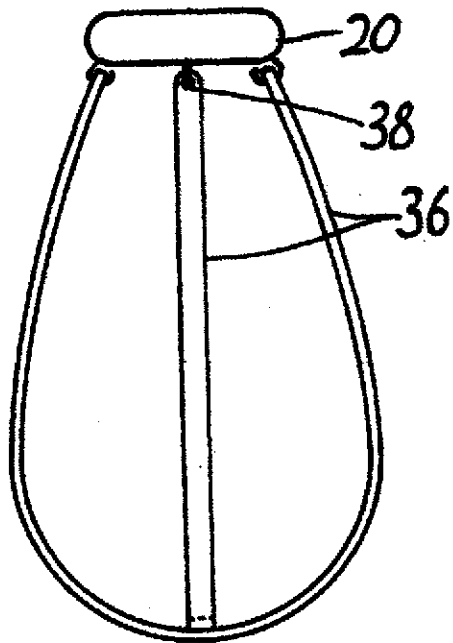
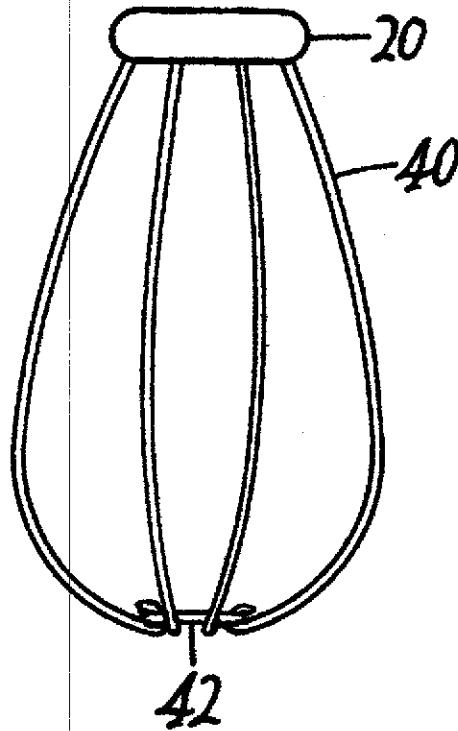


Fig. 6



5,468,383

1

FLUID FILTER HOLDER

FIELD OF THE INVENTION

The invention primarily, but not exclusively, relates to the field of professional spraying of fluids, but more particularly to that portion of this art which involves the spraying of a fluid, such as paint, by means of power equipment.

BACKGROUND

Normally the professional spraying of fluids, such as paint, includes motorized spray equipment which includes a pump for drawing paint through a pipe directly from a container, such as a bucket, and spraying the paint through a spray head, such as a nozzle, having a very small opening of such as eleven thousandth of an inch (0.011), through which the paint is sprayed upon whatever it is to be received. The opposite end of the pipe usually is provided with a rather small coarse wire mesh filter for removing unwanted particles, impediments, in the paint to prevent the nozzle from becoming clogged.

However, in use it usually isn't long before these filters become clogged themselves or, on the other hand, permit enough of the particle impediments to find their way through the pipe and clog the nozzle, requiring a shut down of the spraying equipment to clean the nozzle, in either case resulting in some undesirable lost time on the job.

In the past some efforts have been made to prevent this clogging of the spraying equipment, such as first pouring the paint into containers through a large fine mesh fabric filter, but this takes an unduly long time, resulting in lost time on the job. Other efforts, as shown in the prior art found during a pre-ex search at the Patent and Trademark Office, include improving or enlarging the metal filter normally provided at the container end of the pipe through which the paint is drawn from the container, but these efforts have been directed toward improving or enlarging that filter. All of these former attempts have either been of time delaying methods or of complicated expensive construction, and none have satisfied the demand for a successful and economical method for keeping the spray nozzle clear until the job is completed.

SUMMARY OF THE INVENTION

The object of the present invention is to provide an unbelievable simple and inexpensive device for holding a flexible fine mesh fabric filter, usually of Nylon, over the end of the spraying equipment suction pipe and the coarse wire mesh filter normally located there, when they are positioned at the bottom of the container, thus permitting the paint, or other fluids, to be successfully filtered, first through the Nylon filter and then through the filter normally provided at and on the end of the spray equipment pipe, as it is drawn from the container to be sprayed from the associated nozzle without ever clogging the nozzle, thus permitting the spraying job to be completed without the delays formerly associated with professional spraying equipment. The invention is of such inexpensive construction that it might be more practical just to throw it away after the job is completed rather than bothering to take the time and expense to clean it up.

2

BRIEF DESCRIPTION OF THE DRAWINGS

FIG. 1 is a partially diagrammatic and partially sectional elevational view showing the invention as it would be associated with paint or other fluid spraying equipment;

FIG. 2 is a perspective view of the preferred and best form of the invention, showing its open condition for receiving the suction pipe and filter of spraying equipment;

FIG. 3 is a partially diagrammatic top plan view of the invention seen in FIG. 2; shown in its closed condition in full lines and its open condition in broken lines;

FIGS. 4, 5 and 6 are elevational views of several modified forms of the invention.

DETAILED DESCRIPTION OF THE INVENTION IN ITS BEST FORM

Referring first to FIG. 1, the invention is shown as it would be employed when, by way of example, spraying paint by means of the equipment designated generally by the reference character 8, and which includes a pump 10 for drawing paint from bucket 12 through pipe 14 to be sprayed from the spray head or nozzle 16.

Basically this important filter holder invention is of very simple and inexpensive construction, comprising in this, its best and preferred form, three coil springs, two of which are identified by the same reference character 18. Preferably these two springs are of smaller diameter than the larger third ring like spring 20, and have their opposite ends 22 secured at diametrically opposed positions to the larger spring 20, as seen in FIGS. 1 and 2. The portions 24 intermediate the ends 22 of springs 18 descend in loops from spring 20 and are secured together where they cross, thus to form the bottom 26 of the holder. In its at rest or unflexed condition, the inner diameter of spring 20 is substantially the same as the outer diameter of the pipe 14, it being understood that both dimensions may vary according to the spraying equipment being used.

Omitting the specific dimensions of this best form of the invention as being unnecessary to a clear understanding thereof, the description in the immediately above paragraph describes the complete invention in its best and preferred form as it will be used in paint spraying equipment. However, the following description of its use will present a complete understanding of its important contribution in the paint spraying art.

Turning back to FIG. 1 which illustrates how the invention will be employed in a professional paint spraying system, it can be seen that the paint inlet at the bottom of suction pipe 14 normally is provided with a coarse mesh metal filter 28 which is ineffective to filter all the clogging particles normally found in paint when first purchased from suppliers. In the past a great deal of effort has been expended to overcome this difficulty, but all have been either time consuming or expensive.

The present invention provides a filter holder, both simple in construction and inexpensive which successfully overcomes the clogging problem heretofore encountered in spray painting equipment.

This is accomplished simply by manually taking hold of opposite sides of spring 20 and expanding it sufficiently, as seen in FIGS. 1 and 2, to permit pipe 14 with its filter 28 to be inserted through the now expanded open center of ring spring 20 into the holder pocket formed with it by springs 18 until it bottoms on the downwardly looped springs 18 where they are secured together at 26. This is clearly seen in FIG.

5,468,383

3

1 which shows filter 28 spaced away from the bottom of the bucket 12 containing the paint to be sprayed, thus clearing this filter 28 to receive paint after passing through filter 30. Coil spring ring 20 then is released to spring back to its

4

of single strand wires 40. These wires have their lower ends secured to a wire ring 42 and their upper ends secured to coil spring 20.

REFERENCE CHARACTERS

8	SPRAY EQUIPMENT
10	PUMP
12	BUCKET OR CONTAINER
14	SUCTION PIPE OF SPRAYING EQUIPMENT
16	SPRAYING NOZZLE
18	SMALL SPRINGS
18A	RUBBER-LIKE ELEMENTS IN FIG. 4 REPLACING SPRINGS 18 IN FIG. 1
20	LARGE RING SPRING
20A	RUBBER-LIKE RING IN FIG. 4 REPLACING SPRING 20 IN FIG. 1
22	WHERE TOPS OF SPRINGS 18 ARE CONNECTED TO SPRING 20
24	INTERMEDIATE PORTIONS OF SPRING 18
26	BOTTOM OF HOLDER WHERE SPRINGS 18 CROSS
28	METAL FILTER SECURED TO BOTTOM OF PIPE 14
30	NYLON FILTER HUGGING THE OUTSIDE OF SPRINGS 18
32	WHERE NYLON FILTER 30 IS TIED AGAINST PIPE 14
34	NOT USED
36	FLEXIBLE STRAPS, OR BANDS, IN FIG. 5
38	SMALL HOLES AT ENDS OF STRAPS 36 FOR ATTACHING TO SPRING 20
40	SINGLE STRAND WIRES OF FIG. 6
42	WIRE RING TO WHICH WIRES 40 ARE ATTACHED AT THEIR LOWER ENDS

normal condition around pipe 14, preferably in sliding relation therewith.

Actually before the filter holder of the present invention 30 is placed in the bucket of paint, a very fine mesh fabric filter 30 (usually of Nylon) is slipped over the holder and tightly expanded to its fully open condition by springs 18. This prevents any portion of filter 30 being sucked into contact with pipe filter 28 to obstruct the full flow of paint both 35 through itself and into into pipe 14.

After filter 30 is fully positioned over springs 18 and 20, its open top is drawn closed, gathered and tied around pipe 14 immediately above spring 20, as seen at 32 in FIG. 1. Now the spraying equipment 8 may be started to effect a free 40 flow of particle clear paint directly from bucket 12. At first the paint will start its flow through filter 28 into pipe 14, but continuing flow will be filtered first through the fine mesh fabric filter 30, and then through springs 18 which are formed of open windings to permit paint freely to flow 45 through these springs, and finally throughout the whole assembly into pipe 14.

It may now be clearly understood that the present filter holder invention provides a filter system adaptable and useful in most existing professional paint, or other fluid, spraying equipment currently in use, and one which fully 50 satisfies the objects and purposes of the invention.

Other forms of the invention are illustrated in FIGS. 4, 5 and 6. In the form shown in FIG. 4 all the springs of the best form are replaced by some satisfactory flexible material, 55 such as rubber of a type which would have sufficient resistance to flexing as to retain its shape during use, but flexible enough to be expanded open to permit pipe 14 with its filter 28 to be inserted within the modified holder. The corresponding parts in this figure are 20A for the spring 20, 60 and 18A for springs 18, both in FIG. 1.

In the modification illustrated in FIG. 5, springs 18 of the preferred best form of the invention have been replaced with flexible metal straps, or bands, 36 having small holes 38 in their ends, whereby they may be tied by wire, or some other 65 suitable means, to the ring spring 20.

In FIG. 6 springs 18 have been replaced with a plurality

What is claimed is:

1. A fluid filter holder for use with fluid spraying equipment comprising a suction pipe connected through a pump to a fluid spraying nozzle:

said fluid filter holder comprising:

- (a) a ring member of semi-rigid flexible and expandable material for flexible attachment to and closely surrounding the end of said suction pipe; and
- (b) a plurality of thin loops of flexible and expandable material, said loops having ends secured to said ring member around the periphery of said ring member with their intermediate portions extending away from said ring member and secured together where they cross, thus to form the bottom of said filter holder.

2. A fluid filter holder according to claim 1 wherein:

- (a) said ring member; and
- (b) said loops are formed of flexible rubber whereby the ring member may be expanded.

3. A fluid filter holder for use with fluid spraying equipment, including a suction pipe connected through a pump to a fluid spraying nozzle, said fluid filter holder comprising:

- (a) a coil spring ring formed in a closed circular flexible and expandable ring open at the center thereof for flexible fitting over and tight securement to the end of said suction pipe; and
- (b) a plurality of flexible coil springs with their ends secured to said coil spring ring at opposite sides of said coil spring ring and with their intermediate portions extending away from said coil spring ring in loops secured together where the loops cross each other thus to form the bottom of said fluid filter holder.

4. A fluid filter holder according to claim 3 wherein:

said coil springs in loops are formed with open windings thus to permit fluid to flow therethrough.

5. A fluid filter holder according to claim 3 wherein: said coil springs in loops are of smaller diameter than said coil spring ring.

6. A fluid filter holder according to claim 3 wherein: there

5,468,383

5

are at least two of said coil springs in loops.

7. A filter holder for use upon a suction pipe and filter of paint spraying equipment comprising a suction pipe and filter connected through a pump to a fluid spraying nozzle:

- (a) a coil spring formed in a closed circular flexible and expandable ring; and
- (b) open spring means attached to and depending in loops from said ring and forming therewith an open pocket over which a filter can be positioned and supported

6

around but spaced from the end of said pipe and filter of said spraying equipment during spraying of said paint.

- 8. A fluid filter holder according to claim 7 wherein: said loops are formed of single strand flexible wires.
- 9. A fluid filter holder according to claim 7 wherein: said loops are formed of thin flexible straps.

* * * * *

5,468,383

EXHIBIT D page



UNITED STATES DEPARTMENT OF COMMERCE
Patent and Trademark Office
ASSISTANT SECRETARY AND COMMISSIONER
OF PATENTS AND TRADEMARKS
Washington, D.C. 20231

MARCH 14, 1997

PTAS

MCKENZIE PRODUCT CO.
THOMAS MCKENZIE, PRESIDNET
6230 N. CAMINO PIMERIA ALTA
TUCSON, ARIZONA 85718



100337023A

UNITED STATES PATENT AND TRADEMARK OFFICE
NOTICE OF RECORDATION OF ASSIGNMENT DOCUMENT

THE ENCLOSED DOCUMENT HAS BEEN RECORDED BY THE ASSIGNMENT DIVISION OF THE U.S. PATENT AND TRADEMARK OFFICE. A COMPLETE MICROFILM COPY IS AVAILABLE AT THE ASSIGNMENT SEARCH ROOM ON THE REEL AND FRAME NUMBER REFERENCED BELOW.

PLEASE REVIEW ALL INFORMATION CONTAINED ON THIS NOTICE. THE INFORMATION CONTAINED ON THIS RECORDATION NOTICE REFLECTS THE DATA PRESENT IN THE PATENT AND TRADEMARK ASSIGNMENT SYSTEM. IF YOU SHOULD FIND ANY ERRORS OR HAVE QUESTIONS CONCERNING THIS NOTICE, YOU MAY CONTACT THE EMPLOYEE WHOSE NAME APPEARS ON THIS NOTICE AT 703-308-9723. PLEASE SEND REQUEST FOR CORRECTION TO: U.S. PATENT AND TRADEMARK OFFICE, ASSIGNMENT DIVISION, BOX ASSIGNMENTS, NORTH TOWER BUILDING, SUITE 10C35, WASHINGTON, D.C. 20231.

RECORDATION DATE: 01/05/1997

REEL/FRAME: 8296/0038

NUMBER OF PAGES: 2

BRIEF: ASSIGNMENT OF ASSIGNOR'S INTEREST (SEE DOCUMENT FOR DETAILS).

ASSIGNOR:

MCKENZIE, THOMAS J.

DOC DATE: 12/30/1996

ASSIGNEE:

MCKENZIE PRODUCT CO
6230 N CAMINO PIMERIA ALTA
TUCSON, ARIZONA 85718

SERIAL NUMBER: 08202429

FILING DATE: 02/28/1994

PATENT NUMBER: 5468383

ISSUE DATE: 11/21/1995

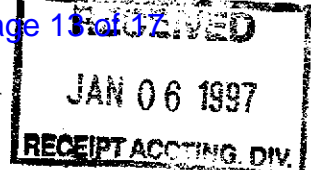
DIANE RUSSELE, EXAMINER
ASSIGNMENT DIVISION
OFFICE OF PUBLIC RECORDS

01-15-1997



123337023

SHEET



MDP 1-6-97

- (1) Conveying Party: Thomas J. McKenzie
6230 N Camino Pimeria Alta
Tucson, Arizona 85718
- (2) Party Receiving the Interest: McKenzie Product Co
6230 N Camino Pimeria Alta
Tucson, Arizona 85718
- (3) Patent Assignment
- (4) United States Patent Number 5,468,383
Issued November 21, 1995.
- (5) Party Requesting Recording of Patent Assignment: Thomas J. McKenzie, President
McKenzie Product Co.
- (6) One Patent Assignment
Fee \$40.00
- (7) December 30th 1996.
- (8) Assignee: Arizona Corporation
Pima County
United States
- (9) I, Thomas J. McKenzie, the undersigned does hereby state that to the best of my knowledge and belief that the information contained on this cover sheet is true and correct.

(10)


Thomas J. McKenzie

(11) Phone Number 520 299 9082

420 VM 01/09/97 5468383
1 581 40.00 CK

PATENT ASSIGNMENT

In consideration of One Dollar and other good and valuable consideration, of which receipt is acknowldgeed, I Thomas J. McKenzie of 6230 North Camino Pimeria Alta, Tucson, Arizona, 85718, owner of the entire right, title, and interest in United States Patent Number 5,468,383, granted in the name of Thomas J. McKenzie, on the 21st day of November 1995, sells and assigns to McKenzie Product Co, a Arizona corporation, my entire right, title, and interest in the said Patent, to be held and enjoyed by the McKenzie Product Co, its successors, and assigns as fully and entirely as the same would have been held and enjoyed by Thomas J. McKenzie had this assignment and sale not been made.

IN TESTIMONY WHEREOF, I have hereunder set my hand and seal this 30th day of December 1996.

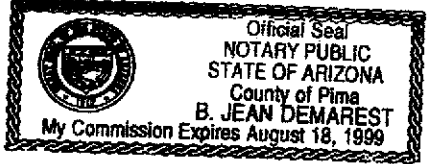
Thomas J. McKenzie
Thomas J. McKenzie

State of Arizona)
) SS
County of Pima)

On this the 30th Day of December 1996, before me personally appeared Thomas J. McKenzie, and executed the foregoing Assignment.

Seal:

B. Jean Demarest
Notary Public





UNITED STATES PATENT AND TRADEMARK OFFICE

UNDER SECRETARY OF COMMERCE FOR INTELLECTUAL PROPERTY AND
DIRECTOR OF THE UNITED STATES PATENT AND TRADEMARK OFFICE

JANUARY 16, 2009

PTAS - HT



103544026A

THOMAS J. MCKENZIE
6230 N. CAMINO
PIMERIA ALTA
TUCSON, ARIZONA 85718

UNITED STATES PATENT AND TRADEMARK OFFICE
NOTICE OF RECORDATION OF ASSIGNMENT DOCUMENT

THE ENCLOSED DOCUMENT HAS BEEN RECORDED BY THE ASSIGNMENT DIVISION OF THE U.S. PATENT AND TRADEMARK OFFICE. A COMPLETE MICROFILM COPY IS AVAILABLE AT THE ASSIGNMENT SEARCH ROOM ON THE REEL AND FRAME NUMBER REFERENCED BELOW.

PLEASE REVIEW ALL INFORMATION CONTAINED ON THIS NOTICE. THE INFORMATION CONTAINED ON THIS RECORDATION NOTICE REFLECTS THE DATA PRESENT IN THE PATENT AND TRADEMARK ASSIGNMENT SYSTEM. IF YOU SHOULD FIND ANY ERRORS OR HAVE QUESTIONS CONCERNING THIS NOTICE, YOU MAY CONTACT THE EMPLOYEE WHOSE NAME APPEARS ON THIS NOTICE AT 571-272-3350. PLEASE SEND REQUEST FOR CORRECTION TO: U.S. PATENT AND TRADEMARK OFFICE, MAIL STOP: ASSIGNMENT SERVICES BRANCH, P.O. BOX 1450, ALEXANDRIA, VA 22313.

RECORDATION DATE: 01/15/2009

REEL/FRAME: 022117/0108

NUMBER OF PAGES: 2

BRIEF: ASSIGNMENT OF ASSIGNOR'S INTEREST (SEE DOCUMENT FOR DETAILS).

ASSIGNOR:

MCKENZIE PRODUCT CO

DOC DATE: 01/12/2009

ASSIGNEE:

MCKENZIE, THOMAS J.
6230 N. CAMINO PIMERIA ALTA
TUCSON, ARIZONA 85718

SERIAL NUMBER: 08202429

FILING DATE: 02/28/1994

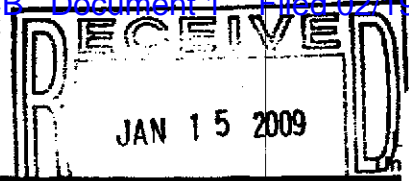
PATENT NUMBER: 5468383

ISSUE DATE: 11/21/1995

TITLE: FLUID FILTER HOLDER

ASSIGNMENT SERVICES BRANCH
PUBLIC RECORDS DIVISION

50.51.1



01-16-2009

Form PTO-1595 (Rev. 10-08)
OMB No. 0651-0027 (exp. 11/30/2008)



RECORDATION FORM COVER SHEET
PATENTS ONLY

103544026

To the Director of the U.S. Patent and Trademark Office, Please record the attached documents for the new address(es) below.

1. Name of conveying party(ies)
McKenzie Product Co
6230 N. Camino Pimeria Alta
Tucson, AZ 85718
Additional name(s) of conveying party(ies) attached? Yes No

2. Name and address of receiving party(ies)
Name: Thomas J. McKenzie
Internal Address: _____

3. Nature of conveyance/Execution Date(s):
Execution Date(s) 1/12/09
 Assignment Merger
 Security Agreement Change of Name
 Joint Research Agreement
 Government Interest Assignment
 Executive Order 9424, Confirmatory License
 Other _____

Street Address: 6230 N. Camino
Pimeria Alta
City: Tucson
State: ARIZONA
Country: United States Zip: 85718
Additional name(s) & address(es) attached? Yes No

4. Application or patent number(s): This document is being filed together with a new application.
A. Patent Application No.(s)
5,468,383

B. Patent No.(s)

Additional numbers attached? Yes No

5. Name and address to whom correspondence concerning document should be mailed:
Name: Thomas J. McKenzie
Internal Address: _____
Street Address: 6230 N. Camino
Pimeria Alta
City: Tucson,
State: ARIZONA Zip: 85718
Phone Number: 520 299 9082
Fax Number: 520 299 9531
Email Address: _____

6. Total number of applications and patents involved: ONE
7. Total fee (37 CFR 1.21(h) & 3.41) \$ 4000
 Authorized to be charged to deposit account
 Enclosed
 None required (government interest not affecting title)

8. Payment Information
Deposit Account Number 01/15/2009 BYRNE 0000046 3468383
Authorized User Name _____ 48-08 BP


9. Signature: Thomas J. McKenzie
Signature
Name of Person Signing

Date: 1/12/09
Total number of pages including cover sheet, attachments, and documents: 2

PATENT ASSIGNMENT

In consideration of One Dollar and other good and valuable consideration, of which receipt is acknowledged, McKenzie Product Co, a Arizona Corporation of 6230 North Camino Pimeria Alta, Tucson, Arizona, 85718, owner of the entire right, title, and interest in United States Patent Number 5,468,383, granted in the name of Thomas J. McKenzie, on the 21st day of November 1995, does hereby grant, sell and assigns to Thomas J. McKenzie of 6230 N. Camino Pimeria Alta, Tucson, Arizona 85718 the entire right, title, and interest in the said U.S. Patent number 5,468,383, including, but not limited to the right to assert claims for past or present known and unknown damages of patent infringement loss of profit, loss of all known and unknown License agreement incomes, Punitive damages, and any known and unknown other related damages relating to or resulting from the infringement of U.S. Patent number 5,468,383 by infringers. to be held and enjoyed by Thomas J. McKenzie, its successors, and assigns as fully and entirely as the same would have been held and enjoyed by McKenzie Product Co had this assignment and sale not been made, given or granted.

IN TESTIMONY WHEREOF, McKenzie Product Co does hereunder set and seal this Assignment on the 12th day of January 12, 2009.


Thomas J. McKenzie, President
McKenzie Product Co.

1/12/09
Date

STATE OF ARIZONA

COUNTY OF PIMA

TO-WIT;

By 
Thomas J. McKenzie


NOTARY PUBLIC



STATE OF ARIZONA

COUNTY OF PIMA

TO-WIT;

By 
Margaret E. McKenzie, Secretary
McKenzie Product Co.


NOTARY PUBLIC

