

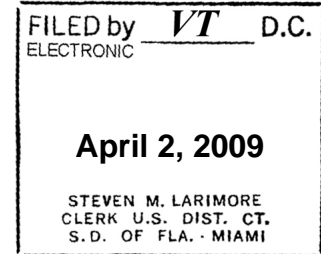
UNITED STATES DISTRICT COURT
SOUTHERN DISTRICT OF FLORIDA
FORT LAUDERDALE DIVISION

ASPEX EYEWEAR, INC.; AND)
CONTOUR OPTIK, INC.)
)
Plaintiffs,)
)
Vs.)
)
Levente Tibor Laczay)
d/b/a Zenni Optical)
)
Defendants.)

09-CV-60488-Zloch-Rosenbaum

Case No.:

Judge:



COMPLAINT

The Plaintiffs, Aspex Eyewear, Inc. (“Aspex”), and Contour Optik, Inc. (“Contour”), (collectively referred to as “Plaintiffs”), by their attorneys, as and for their Complaint herein against Levente Tibor Laczay d/b/a Zenni Optical (“Defendant”), allege the following:

JURISDICTION AND VENUE

1. This is a civil action for patent infringement arising under the patent laws of the United States, 35 U.S.C. §§ 1, *et seq.*
2. This Court has jurisdiction over this action pursuant to 28 U.S.C. § 1338 (a), as this action arises under an Act of Congress relating to patents.
3. Venue is properly established in this Court pursuant to 28 U.S.C. §§1391(b) and (c) and/or §1400, as, upon information and belief, the Defendant has engaged in acts of infringement within this Judicial District.

PARTIES

4. Aspex is a corporation duly organized and existing under the laws of the state of

Delaware having its principal place of business at: 2755 S.W. 32nd Avenue, Pembroke Park, Florida 33023.

5. Contour is a corporation of Taiwan, whose post office address is 6 Industrial Fifth Road, Tou Chiau Industrial Park, Chiayi 621, Taiwan.

6. Upon information and belief, Defendant is an individual and resident of the state of California with a postal address of 27 Sunny Oaks Dr., San Rafael, CA. 94903

ALLEGATIONS COMMON TO ALL COUNTS

7. Upon information and belief, Defendant Laczay owns and/or maintains a website at www.zennioptical.com for selling and distributing eyewear including eyeglasses and clip-ons that are attached magnetically and are the subject of this action.

8. Upon information and belief, Defendant Laczay is the record owner of an application to register the name ZENNI OPTICAL as a trademark for “Eyeglasses” which was assigned an application number 77/497,987.

9. Upon information and belief, Defendant Laczay is transacting business under the name Zenni Optical.

COUNT I – INFRINGEMENT OF THE ‘054 PATENT

10. Plaintiffs incorporate by reference the allegations of paragraphs 1 through 9, inclusive, as if fully repeated herein.

11. On April 7, 1998, the United States Patent and Trademark Office issued United States Patent No. 5,737,054 entitled “Auxiliary Lenses for Eyeglasses” attached hereto as Exhibit A (the “‘054 Patent”). Contour is the record owner of the ‘054 Patent.

12. Aspex is the exclusive licensee of the ‘054 Patent within the United States.

13. As the exclusive licensee of the ‘054 Patent, Aspex has the exclusive right to

make, use and sell products including eyeglass primary frames and auxiliary frames, according to the '054 Patent. Aspex also holds the right to sue for infringement of the '054.

14. The invention described and claimed in the '054 Patent has been accepted by the eyewear and fashion eyewear industries and is of great utility and value.

15. Defendant, well knowing of the '054 Patent, has infringed thereon by offering for sale, and on information and belief, selling magnetic eyeglass frames and clip-on attachments as claimed in said patent, within this district and on information and belief, elsewhere as well.

16. These infringing articles, as alleged above, have not been manufactured or authorized in any manner by Aspex or Contour, nor has Defendant ever been authorized or otherwise granted the right to manufacture, offer for sale, sell or otherwise distribute devices made according to the '054 Patent.

17. Defendant has notice of its infringement, as prescribed in 35 U.S.C. § 287. Defendant's infringement of the '054 Patent has been willful and deliberate.

18. Upon information and belief, Defendant will continue to infringe upon the '054 Patent to the irreparable damage of Plaintiffs, unless enjoined by the Court. Plaintiffs have no adequate remedy at law.

COUNT II – INFRINGEMENT OF THE '811 PATENT

19. Plaintiffs incorporate by reference the allegations of paragraphs 1 through 18, inclusive, as if fully repeated herein.

20. On January 11, 2000, the United States Patent and Trademark Office issued United States Patent No. 6,012,811 entitled "Eyeglass Frames with Magnets at Bridges for Attachment" and attached hereto as Exhibit B (the "'811 Patent"). Contour is the record owner of the '811 Patent.

21. Aspex is the exclusive licensee of the '811 Patent within the United States.

22. As the exclusive licensee of the '811 Patent, Aspex has the exclusive right to make, use and sell products including eyeglass primary frames and auxiliary frames, according to the '054 Patent. Aspex also holds the right to sue for infringement of the '811.

23. The invention described and claimed in the '811 Patent has been accepted by the eyewear and fashion eyewear industries and is of great utility and value.

24. Defendant, well knowing of the '811 Patent, has infringed thereon by offering for sale, and on information and belief, selling magnetic eyeglass frames and clip-on attachments as claimed in said patent, within this district and on information and belief, elsewhere as well.

25. These infringing articles, as alleged above, have not been manufactured or authorized in any manner by Aspex or Contour, nor has Defendant ever been authorized or otherwise granted the right to manufacture, offer for sale, sell or otherwise distribute devices made according to the '811 Patent.

26. Defendant has notice of its infringement, as prescribed in 35 U.S.C. § 287. Defendant's infringement of the '811 Patent has been willful and deliberate.

27. Upon information and belief, Defendant will continue to infringe upon the '811 Patent to the irreparable damage of Plaintiffs, unless enjoined by the Court. Plaintiffs have no adequate remedy at law.

COUNT III – INFRINGEMENT OF THE '896 PATENT

28. Plaintiffs incorporate by reference the allegations of paragraphs 1 through 27, inclusive, as if fully repeated herein.

29. On July 25, 2000, the United States Patent and Trademark Office issued United States Patent No. 6,092,896 entitled "Eye-wear with magnets" and attached hereto as Exhibit C

(the “’896 Patent”). Contour is the owner of the ‘896 Patent.

30. Aspex is the exclusive licensee of the ‘896 Patent within the United States.

31. As the exclusive licensee of the ‘896 Patent, Aspex has the exclusive right to make, use and sell products including eyeglass primary frames and auxiliary frames, according to the ‘054 Patent. Aspex also holds the right to sue for infringement of the ‘896.

32. The invention described and claimed in the ‘896 Patent has been accepted by the eyewear and fashion eyewear industries and is of great utility and value.

33. Defendant, well knowing of the ‘896 Patent, has infringed thereon by offering for sale, and on information and belief, selling magnetic eyeglass frames and clip-on attachments as claimed in said patent, within this district and on information and belief, elsewhere as well.

34. These infringing articles, as alleged above, have not been manufactured or authorized in any manner by Aspex or Contour, nor has Defendant ever been authorized or otherwise granted the right to manufacture, offer for sale, sell or otherwise distribute devices made according to the ‘896 Patent.

35. Defendant has notice of its infringement, as prescribed in 35 U.S.C. § 287. Defendant’s infringement of the ‘896 Patent has been willful and deliberate.

36. Upon information and belief, Defendant will continue to infringe upon the ‘896 Patent to the irreparable damage of Plaintiffs, unless enjoined by the Court. Plaintiffs have no adequate remedy at law.

WHEREFORE, Plaintiffs request that this Court grant Judgment in their favor, and award them the following relief:

1. Declare that Defendant’s acts and conduct infringe the ‘054, ‘811 and ‘896 Patents and the exclusive rights in said patents held by the Plaintiffs;

2. Declare that such infringements are willful;
3. Enter a permanent injunction which:
 - a. Enjoins the Defendant, his agents, employees, privies, successors, and assigns and all holding by, through or under him, and all those acting for him or in his behalf, from infringing upon U.S. Patent Nos. 5,737,054, 6,012,811, and 6,092,896; and
 - b. Enjoins the Defendant, his agents, employees, representatives, and all other persons in active participation with him, to recall from all distributors, wholesalers, retailers and all others known to Defendant, all products which infringe upon U. S. Patent Nos. 5,737,054, 6,012,811, and 6,092,896, and requires Defendant to file with this Court and to serve upon the Plaintiffs, within 30 days after service of the Court's Order as herein prayed, a report in writing under oath setting forth in detail the manner and form in which Defendant has complied with the Court's Order;
4. Require the Defendant to account to Plaintiffs for all profits and expenses realized by Defendant;
5. Award the Plaintiffs their actual damages suffered as a result of the Defendant's infringement of the '054, '811 and '896 Patents and the rights held by Plaintiffs in said patents, and, pursuant to a finding of willful infringement, order that such damages be trebled;
6. Award the Plaintiffs any profits realized by Defendant as a result of his infringement of the '054, '811 and '896 Patents and the rights held by Plaintiffs in said patents; and
7. Grant such other and further relief as the equity of the case may require and as this Court may deem just and proper, together with costs and disbursements of this action, including Attorneys' fees.

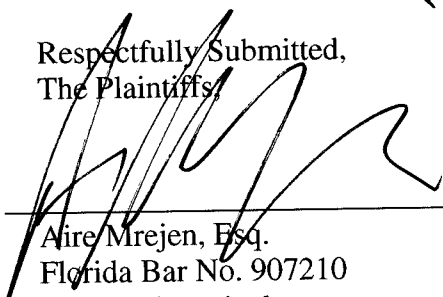
JURY DEMAND

Pursuant to Federal Rule of Civil Procedure 38, Plaintiffs demand a jury trial as to all issues triable at law, and respectfully request an early trial.

Dated: March 26, 2009

Respectfully Submitted,
The Plaintiffs

By: _____


Aire Mrejen, Esq.
Florida Bar No. 907210
amrejen@mrejenlaw.com
Mrejen Blinderman P.L.
One Cypress Place
701 West Cypress Creek Road
Suite 302
Fort Lauderdale, FL 33309
Tel: (954) 771-3740
Fax: (954) 771-3047

*Counsel for Aspex Eyewear, Inc., and Contour
Optik, Inc.*

EXHIBIT "A"



US005737054A

United States Patent [19]
Chao

[11] **Patent Number:** **5,737,054**
[45] **Date of Patent:** **Apr. 7, 1998**

[54] **AUXILIARY LENSES FOR EYEGLASSES**

Primary Examiner—Hung X. Dang
Attorney, Agent, or Firm—Charles E. Baxley, Esq.

[76] **Inventor:** **Richard Chao**, No. 43-4, Yi Hsin Tsuen, Shui San Hsiang, Chia Yi Hsien, Taiwan

[57] **ABSTRACT**

An eyeglass device includes a primary and an auxiliary spectacle frames for supporting lenses. The primary spectacle frame includes a magnetic connector member secured in the middle bridge portion. The auxiliary spectacle frame includes a middle bridge portion having a projection for engaging over the middle bridge portion of the primary spectacle frame and having a magnetic connector member for engaging with the connector member of the primary spectacle frame such that the spectacle frames can be easily secured together with only one hand.

[21] **Appl. No.:** **766,327**

[22] **Filed:** **Dec. 13, 1996**

[51] **Int. Cl.⁶** **G02C 9/00; G02C 7/08**

[52] **U.S. Cl.** **351/47; 351/57**

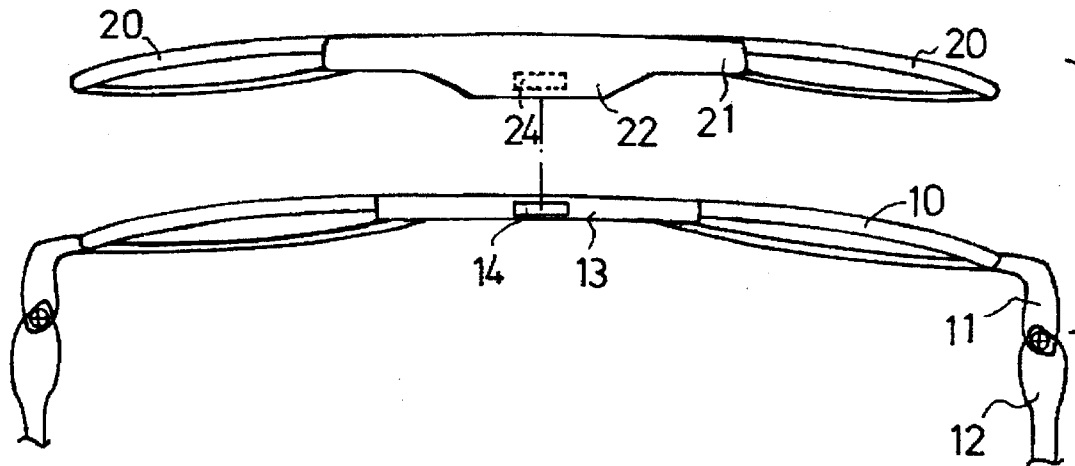
[58] **Field of Search** **351/47, 57, 41, 351/58, 106, 158; 2/441, 443**

[56] **References Cited**

U.S. PATENT DOCUMENTS

5,416,537 5/1995 Sadler 351/57

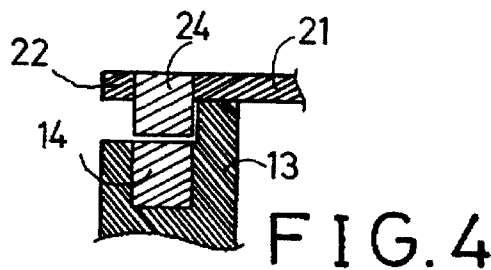
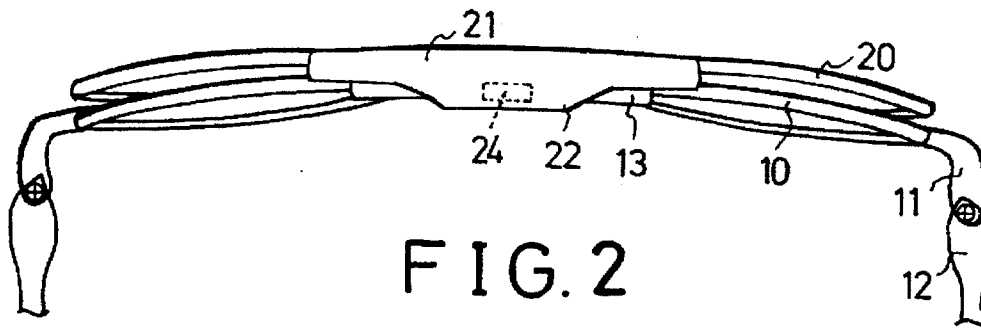
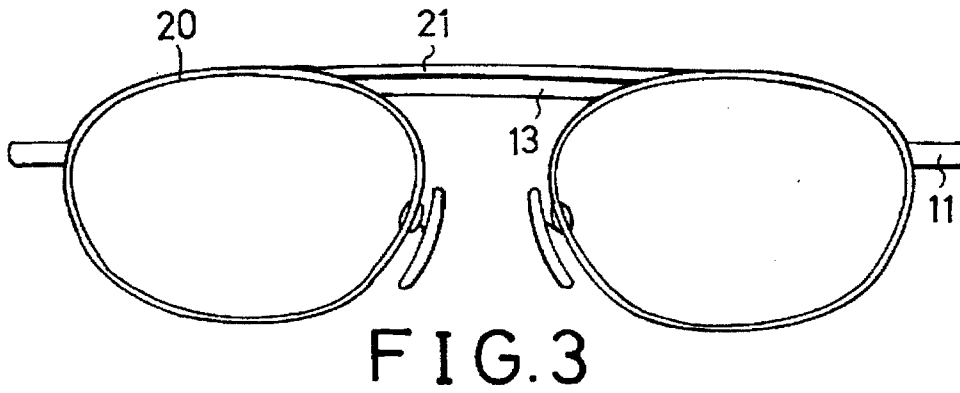
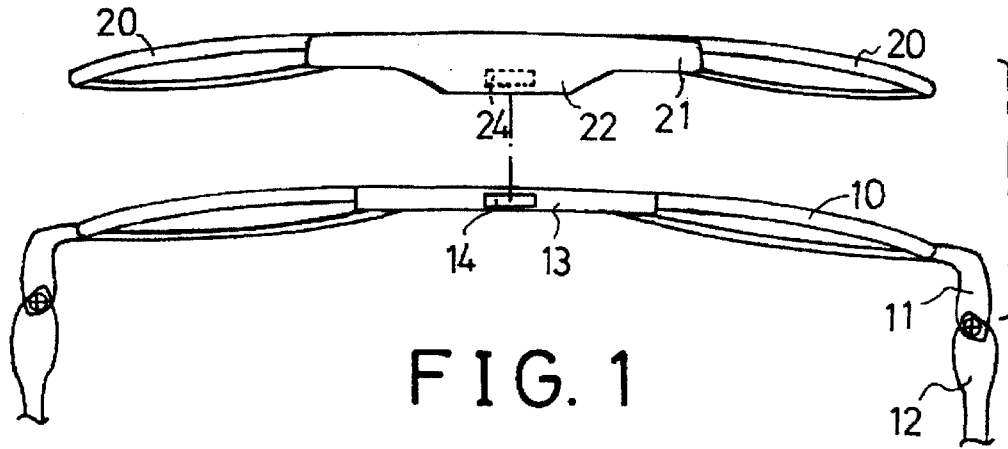
4 Claims, 1 Drawing Sheet



U.S. Patent

Apr. 7, 1998

5,737,054



5,737,054

1

AUXILIARY LENSES FOR EYEGLASSES

BACKGROUND OF THE INVENTION

1. Field of the Invention

The present invention relates to auxiliary lenses, and more particularly to auxiliary lenses for eyeglasses.

2. Description of the Prior Art

The closest prior art of which applicant is aware is his prior U.S. Pat. No. 5,568,207 to Chao. The spectacle frames comprise a primary spectacle frame having two magnet members provided on the upper side portions, and an auxiliary spectacle frame including a pair of arms for engaging over the upper side portions for preventing the auxiliary spectacle frame from moving downward relative to the primary spectacle frame and having two magnet members for engaging with the magnet members of the primary spectacle frame and for stably attaching the auxiliary spectacle frame to the primary spectacle frame. However, two pairs of magnet members are required such that the manufacturing cost is increased. In addition, the user have to align two pairs of magnet members.

The present invention has arisen to mitigate and/or obviate the afore-described disadvantages of the conventional spectacle frames.

SUMMARY OF THE INVENTION

The primary objective of the present invention is to provide auxiliary lenses which may be easily engaged on the primary spectacle frames.

In accordance with one aspect of the invention, there is provided an eyeglass device comprising a primary spectacle frame for supporting primary lenses therein, the primary spectacle frame including a middle bridge portion, a first magnetic or magnetizable member secured in the middle bridge portion of the primary spectacle frame, an auxiliary spectacle frame for supporting auxiliary lenses therein, the auxiliary spectacle frame including a middle bridge portion having a projection extended therefrom for extending over and for engaging with the middle bridge portion of the primary spectacle frame, and a second magnetic or magnetizable member secured to the projection of the auxiliary spectacle frame for engaging with the first connector member of the primary spectacle frame and for allowing the auxiliary spectacle frame to be attached to the primary spectacle frame with only one hand by a user.

Further objectives and advantages of the present invention will become apparent from a careful reading of a detailed description provided hereinbelow, with appropriate reference to accompanying drawings.

BRIEF DESCRIPTION OF THE DRAWINGS

FIG. 1 is a top plan view illustrating a spectacle frame and auxiliary lenses in accordance with the present invention respectively, in which the spectacle frame and the auxiliary lenses are separated from each other;

FIG. 2 is a top plan view of the spectacle frame and the auxiliary lenses combination;

FIG. 3 is a front elevational view of the spectacle frame and the auxiliary lenses combination; and

FIG. 4 is a cross sectional view taken along middle bridge portions of FIG. 2.

DETAILED DESCRIPTION OF THE PREFERRED EMBODIMENT

Referring to the drawings, and initially to FIGS. 1 to 3, an eyeglass device in accordance with the present invention

2

comprises a primary spectacle frame 10 for supporting primary lenses therein. The primary spectacle frame 10 includes two side portions each having an extension 11 extended rearwardly therefrom for pivotally coupling a leg 12 thereto. The primary spectacle frame 10 includes a middle bridge portion 13 for supporting a magnetic or magnetizable connector member 14 therein. An auxiliary spectacle frame 20 is provided for supporting the auxiliary lenses therein and includes a middle bridge portion 21 having a projection 22 extended rearward therefrom for extending over and for engaging with the middle bridge portion 13 of the primary spectacle frame 10 (FIGS. 2-4). The auxiliary spectacle frame 20 also includes a magnetic or magnetizable connector member 24 secured in the projection 22 thereof for engaging with the connector member 14 of the primary spectacle frame 10 such that the auxiliary spectacle frame 20 can be stably supported on the primary spectacle frame 10, best shown in FIGS. 2-4.

It is to be noted that the projection 22 is engaged with and is supported on the middle bridge portion of the primary spectacle frame 10 such that the auxiliary spectacle frame 20 will not move downward relative to the primary spectacle frame and will not be easily disengaged from the primary spectacle frame when its user conducts jogging or jumping exercises.

It is further to be noted that the user is only required to engage the connector member 24 of the auxiliary spectacle frame 10 with the connector member 14 of the primary spectacle frame, such that the frames 10, 20 can be easily secured with each other. The user can thus easily use only one hand to stably attach the auxiliary spectacle frame to the primary spectacle frame. Alternatively, only one of the connector members 14, 24 is required to be a magnet. For example, if only connector member 24 is provided as a magnet in the middle bridge member 21 of the auxiliary spectacle frame, the connector member 14 is not required to be a magnet, but could be composed typically of magnetic iron. It is only required to have the middle bridge member 13 made by magnetically attractive material such that the middle bridge member 21 of the auxiliary spectacle frame 20 may also be easily attached to the primary spectacle frame 10. Only one or one pair of magnetizable members are required to be a magnet for attaching the spectacle frames together.

Referring next to FIG. 4, it is preferable that the connector member 24 is slightly extended downward toward the connector member 14 such that the auxiliary spectacle frame 20 may further be stably supported and secured to the primary spectacle frame 10.

Accordingly, the eyeglass device of the present invention includes an auxiliary spectacle frame that may be easily secured to the primary spectacle frame with only one hand. In addition, only one of the pair of magnetic members is required to be a magnet for attaching the spectacle frames together.

Although this invention has been described with a certain degree of particularity, it is to be understood that the present disclosure has been made by way of example only and that numerous changes in the detailed construction and the combination and arrangement of parts may be resorted to without departing from the spirit and scope of the invention as hereinafter claimed.

I claim:

1. An eyeglass device comprising:

a primary spectacle frame for supporting primary lenses therein, said primary spectacle frame including a middle bridge portion,

5,737,054

3

a first magnetic member secured in said middle bridge portion of said primary spectacle frame,
 an auxiliary spectacle frame for supporting auxiliary lenses therein, said auxiliary spectacle frame including a middle bridge portion having a projection extended therefrom for extending over and for engaging with said middle bridge portion of said primary spectacle frame, and
 a second magnetic member secured to said projection of said auxiliary spectacle frame for engaging with said first magnetic member of said primary spectacle frame and for allowing said auxiliary spectacle frame to be attached to said primary spectacle frame with only one hand by a user.

2. An eyeglass device comprising:
 a primary spectacle frame for supporting primary lenses therein, said primary spectacle frame including a middle bridge portion,
 a first connector member secured in said middle bridge portion of said primary spectacle frame,
 an auxiliary spectacle frame for supporting auxiliary lenses therein, said auxiliary spectacle frame including

4

a middle bridge portion having a projection extended therefrom for extending over and for engaging with said middle bridge portion of said primary spectacle frame,
 a second connector member secured to said projection of said auxiliary spectacle frame for engaging with said first connector member of said primary spectacle frame, and
 magnetic means operatively associated with the first and second connector members whereby they are connectable to each other magnetically for allowing said auxiliary spectacle frame to be attached to said primary spectacle frame with only one hand by a user.

3. The eyeglass device as claimed in claim 2, with the first connector member being a magnet, the second connector member being a magnetizable substance.

4. The eyeglass device as claimed in claim 2, with the second connector member being a magnet, the first connector member being a magnetizable substance.

* * * * *

EXHIBIT "B"



US006012811A

United States Patent [19]
Chao et al.

[11] **Patent Number:** **6,012,811**
 [45] **Date of Patent:** ***Jan. 11, 2000**

[54] **EYEGLASS FRAMES WITH MAGNETS AT BRIDGES FOR ATTACHMENT**

[75] Inventors: **David Chao**, Towson, Md.; **Richard Chao**, Chia Yi Hsien, Taiwan

[73] Assignee: **Contour Optik, Inc.**, Chiayi, Taiwan

[*] Notice: This patent is subject to a terminal disclaimer.

[21] Appl. No.: **08/963,299**

[22] Filed: **Nov. 3, 1997**

Related U.S. Application Data

[63] Continuation-in-part of application No. 08/766,327, Dec. 13, 1996, Pat. No. 5,737,054, application No. 08/847,711, Apr. 28, 1997, and application No. 08/865,379, May 29, 1997, Pat. No. 5,786,880.

[51] **Int. Cl.**⁷ **G02C 7/08**

[52] **U.S. Cl.** **351/47; 351/57**

[58] **Field of Search** 351/47, 57, 41, 351/58, 48, 106, 158; 2/441, 443

[56] **References Cited**

U.S. PATENT DOCUMENTS

2,737,847	3/1956	Tesaro	351/41
2,770,168	11/1956	Tesaro	351/41
3,498,701	3/1970	Miller	351/57
3,531,188	9/1970	LeBlanc et al.	351/48
3,565,517	2/1971	Gillin et al.	351/106
3,582,192	6/1971	Gillin et al.	351/52
3,838,914	10/1974	Fernandez	351/106
4,070,103	1/1978	Meeker	

(List continued on next page.)

FOREIGN PATENT DOCUMENTS

76209045	9/1976	China	.
1117593	2/1996	China	.
1061253	4/1954	European Pat. Off.	.
0469699	2/1992	European Pat. Off.	.
0743545	11/1996	European Pat. Off.	.
915421	11/1946	France	.

(List continued on next page.)

OTHER PUBLICATIONS

English language abstract of Japanese Publication No. 55-50217.

English language abstract of Japanese Publication No. 54-111842.

English language abstract of Japanese Publication No. 54-111841.

(List continued on next page.)

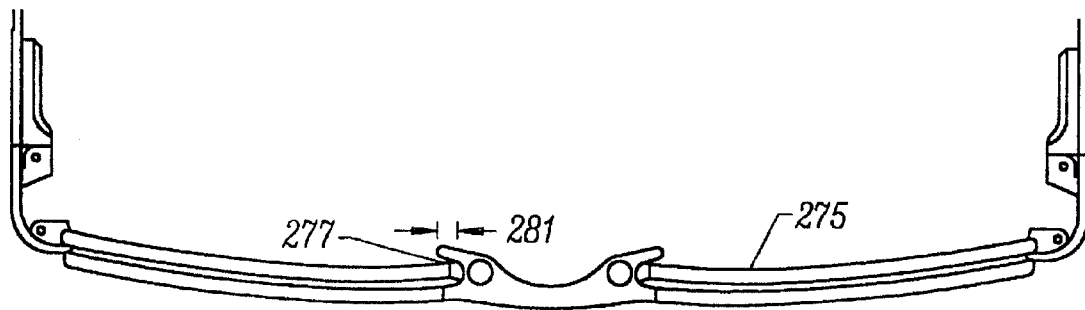
Primary Examiner—Hung Xuan Dang

Attorney, Agent, or Firm—Fliesler, Dubb, Meyer & Lovejoy, LLP

[57] **ABSTRACT**

A first frame of an eyeglass device includes a bridge with a magnetic member, and two retaining mechanisms for supporting a pair of lenses. The retaining mechanisms defines a frontal plane. The bridge ties the two retaining mechanism together, with the magnetic member magnetically coupling to another magnetic member at the bridge of a second frame. In one embodiment the coupling occurs at a coupling surface on the second frame that is substantially perpendicular to the frontal plane. The magnetic member at the bridge of the first frame can be a permanent magnet or a magnetizable member. The second frame can be a primary frame, and the first frame can be an auxiliary frame.

35 Claims, 7 Drawing Sheets



6,012,811

Page 2

U.S. PATENT DOCUMENTS

4,196,981	4/1980	Waldrop	351/59
4,547,909	10/1985	Bell	2/431
4,988,181	1/1991	Riach	351/52
5,181,051	1/1993	Townsend et al.	351/52
5,243,366	9/1993	Blevins	351/57
5,321,442	6/1994	Albanese	351/44
5,389,981	2/1995	Riach	351/158
5,410,763	5/1995	Bolle	2/436
5,416,537	5/1995	Sadler	351/57
5,642,177	6/1997	Nishioka	351/63
5,737,054	4/1998	Chao	351/47

FOREIGN PATENT DOCUMENTS

1037755	9/1953	France .
2483632	4/1981	France .
1266652	12/1981	France .
2657436	7/1991	France .
1797366	1/1971	Germany .
85 07 761 U	6/1985	Germany .
88 06 898 U	10/1988	Germany .
3905041	8/1990	Germany .
WO 90/09611	8/1990	Germany .
3919489	12/1990	Germany .
3920879	1/1991	Germany .
3921987	1/1991	Germany .
39333310	1/1991	Germany .
9216919	2/1993	Germany .
43 16 698	11/1994	Germany .
44-15392	7/1969	Japan .
54-111841	9/1979	Japan .
54-111842	9/1979	Japan .
55-50217	4/1980	Japan .
56-29209	3/1981	Japan .
57-184910	11/1982	Japan .
61-2621	1/1986	Japan .
1-136114	5/1989	Japan .
2-109325	8/1990	Japan .
5-157997	6/1993	Japan .
5-40493	10/1993	Japan .
7-128620	5/1995	Japan .
220885	6/1968	Russian Federation .
572222	1/1976	Switzerland .
274588	4/1996	Taiwan .
846425	8/1960	United Kingdom .
855268	11/1960	United Kingdom .
WO 90/09611	8/1990	WIPO .

OTHER PUBLICATIONS

English language abstract of Japanese Publication No. 1-136114.

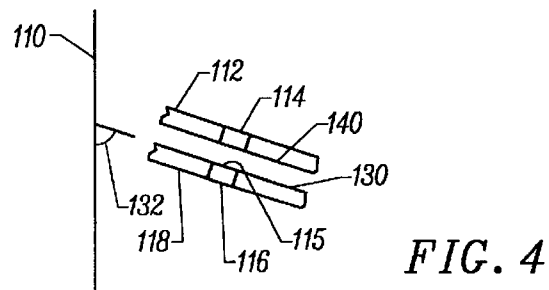
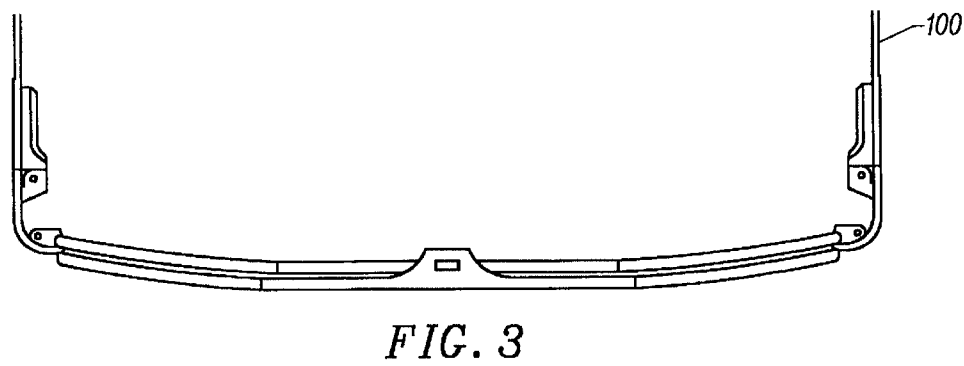
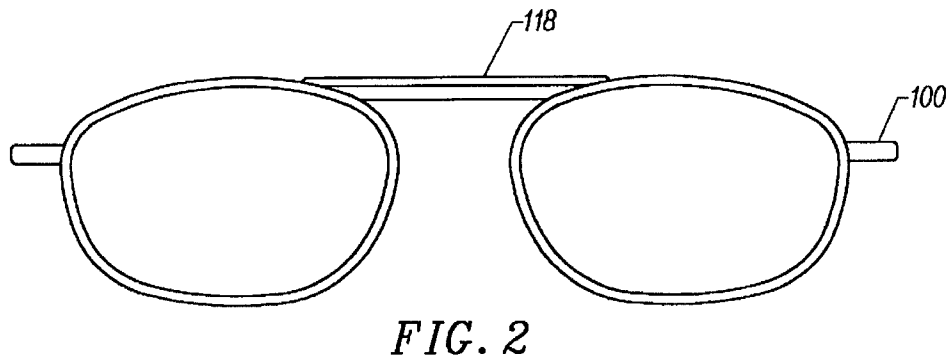
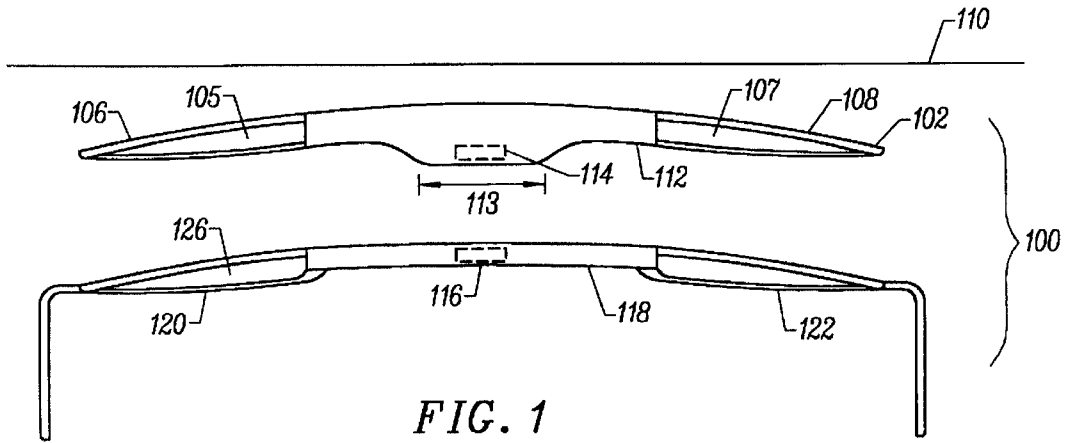
English language abstract of Japanese Publication No. 56-29209.
 English language abstract of Japanese Publication No. 44-15392.
 English language abstract of Japanese Publication No. 5-157997.
 English language abstract of Japanese Publication No. 612621.
 English language abstract of Japanese Publication No. 5-40493.
 English language abstract of German Publication No. 9216919.
 English language abstract of German Publication No. 1797366.
 English language abstract of German Publication No. 43 16 698.
 English language abstract of German Publication No. 39333310.
 English language abstract of German Publication No. 3921987.
 English language abstract of German Publication No. 3920879.
 English language abstract of German Publication No. 391489.
 English language abstract of German Publication No. 3905041.
 English language abstract of French Publication No. 1266652.
 English language abstract of French Publication No. 1037755.
 English language abstract of French Publication No. 2,657, 436.
 English language abstract of French Publication No. 2,483, 632.
 English language abstract of French Publication No. 915, 421.
 English language abstract of Switzerland Publication No. 572,222.
 English language abstract of Russian Publication No. 220885.
 English language abstract of Taiwan Publication No. 274588.
 English language abstract of Chinese Publication No. 1117593.
 Documents describing Twincome in a Patent Opposition Proceeding in Germany initiated by Pentax, on or around Apr. 30, 1997.

U.S. Patent

Jan. 11, 2000

Sheet 1 of 7

6,012,811



U.S. Patent

Jan. 11, 2000

Sheet 2 of 7

6,012,811

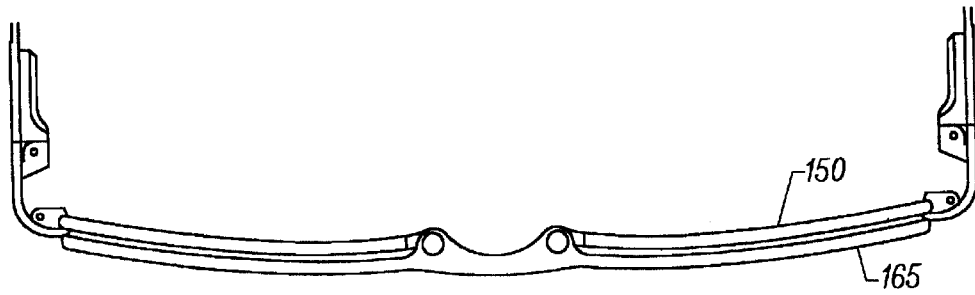


FIG. 6

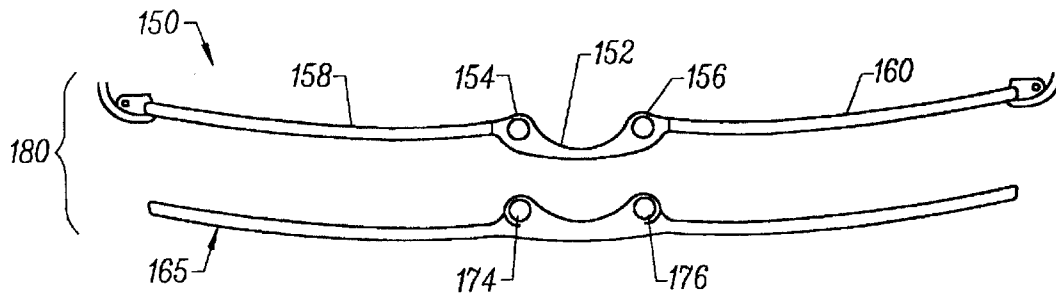


FIG. 5

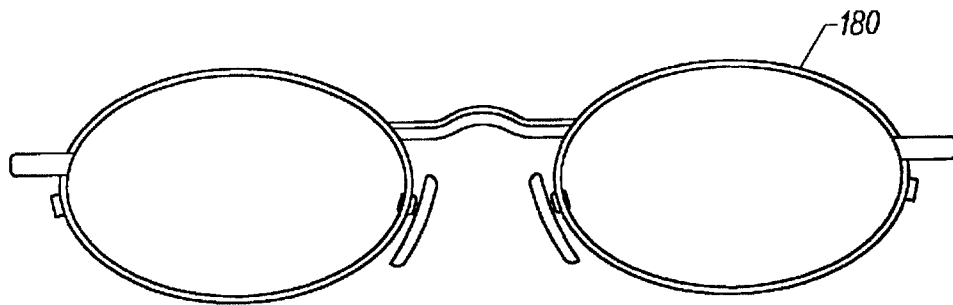


FIG. 7

U.S. Patent

Jan. 11, 2000

Sheet 3 of 7

6,012,811

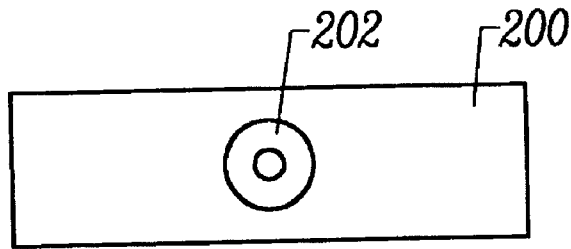


FIG. 8

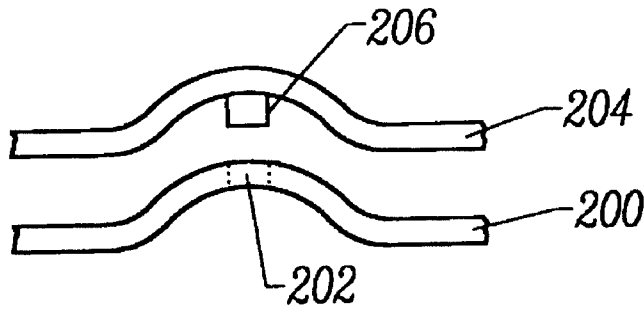


FIG. 9A

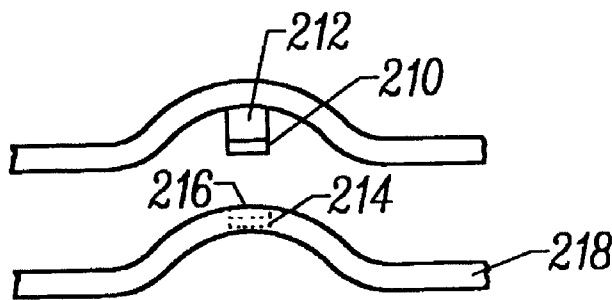


FIG. 9B

U.S. Patent

Jan. 11, 2000

Sheet 4 of 7

6,012,811

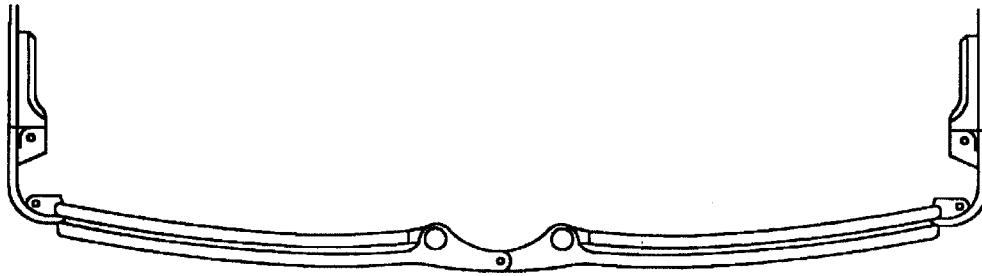


FIG. 10C

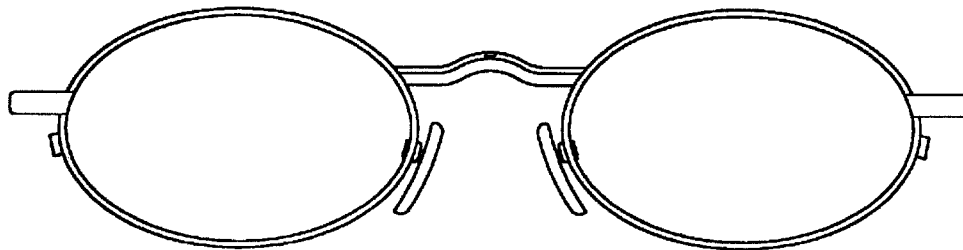


FIG. 10B

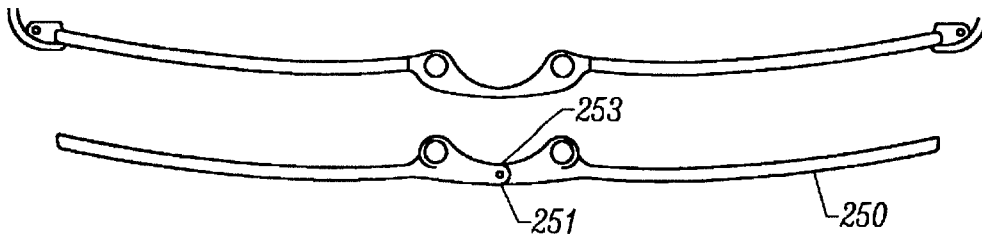


FIG. 10A

U.S. Patent

Jan. 11, 2000

Sheet 5 of 7

6,012,811

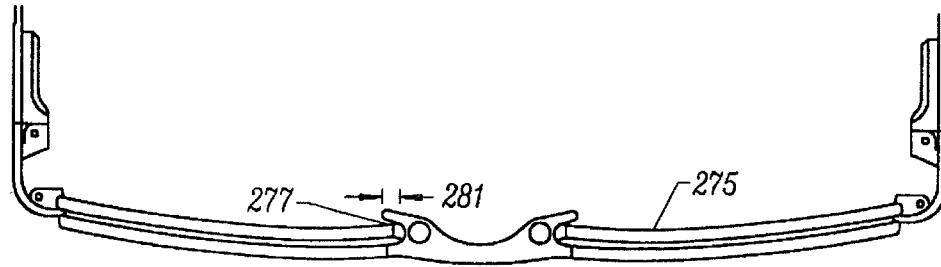


FIG. 12B

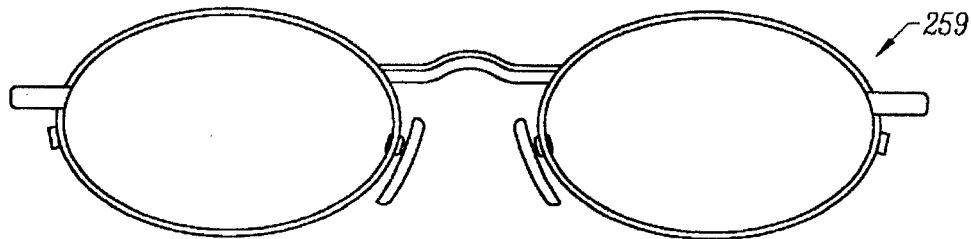


FIG. 12A

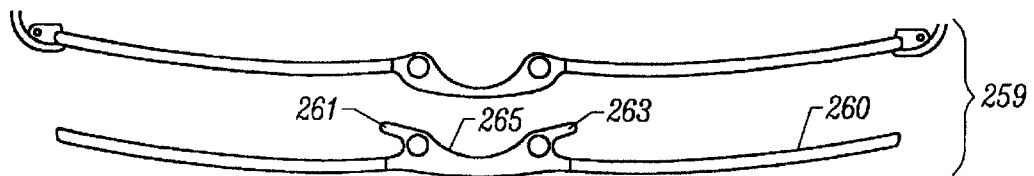


FIG. 11

U.S. Patent

Jan. 11, 2000

Sheet 6 of 7

6,012,811

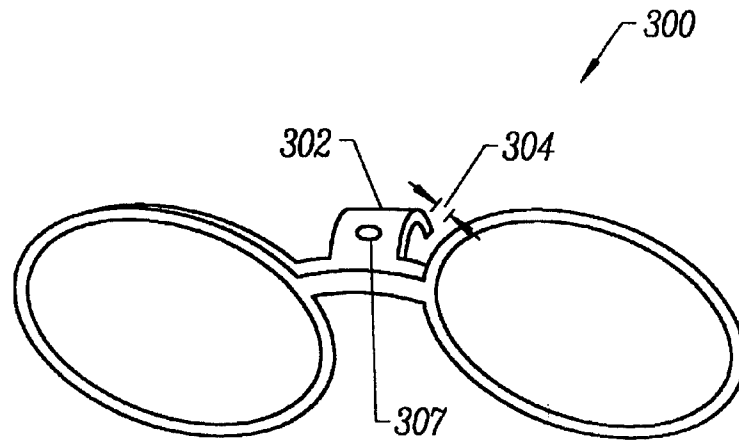


FIG. 13

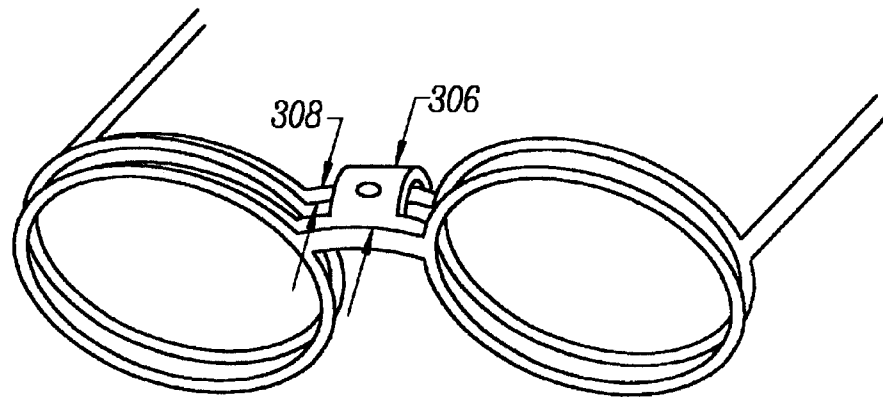


FIG. 14

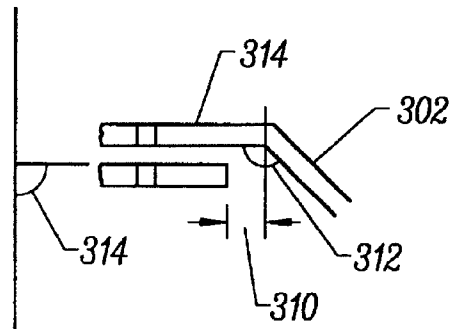


FIG. 15

U.S. Patent

Jan. 11, 2000

Sheet 7 of 7

6,012,811

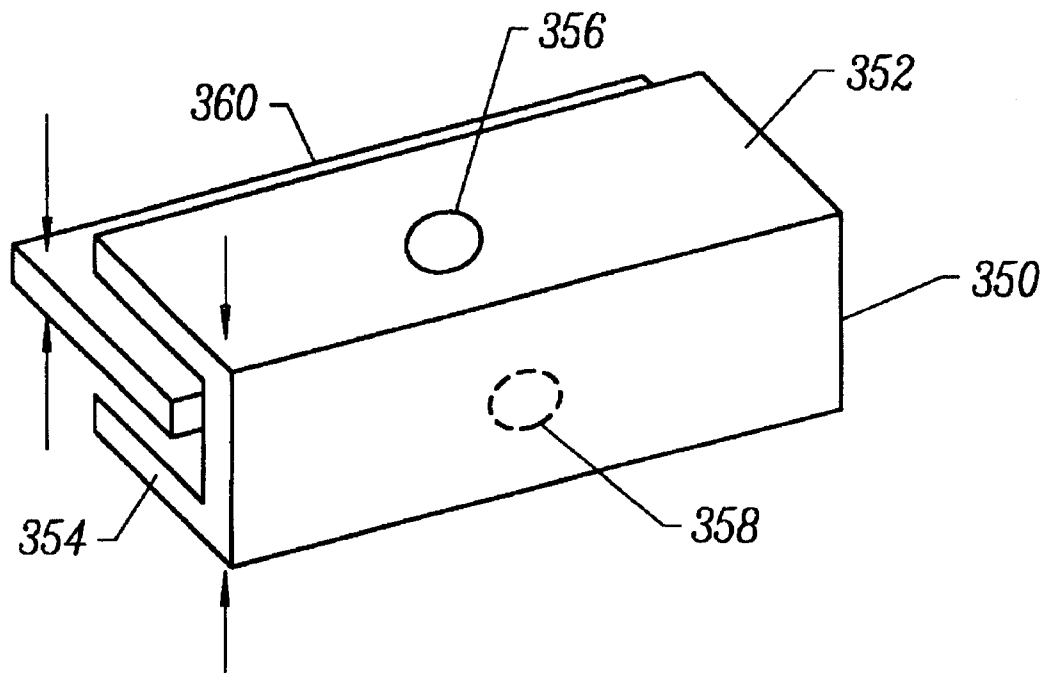


FIG. 16

1

EYEGLOSS FRAMES WITH MAGNETS AT BRIDGES FOR ATTACHMENT

CROSS REFERENCE TO RELATED APPLICATION

This is a continuation-in-part of U.S. patent application Ser. No. 08/766,327, filed on Dec. 13, 1996 now U.S. Pat. No. 5,737,054, co-pending U.S. patent application Ser. No. 08/847,711, filed on Apr. 28, 1997 and U.S. patent application Ser. No. 08/865,379, filed on May 29, 1997 now U.S. Pat. No. 5,786,880 all incorporated by reference into this specification

BACKGROUND OF THE INVENTION

The present invention relates generally to eye-wear and more particularly to eye-wear using magnets for attachment.

Auxiliary frames with lenses have been used for decades to augment deficiencies in primary frames. For example, the auxiliary frames may be for magnifying purposes, or may transform the primary frames into sunglasses.

For decades, people around the world have been creating numerous ingenious methods to attach the auxiliary frames onto the primary frames. In one line of approaches, the auxiliary frames are clipped onto the lenses of the primary frames. Not only do such clips obstruct the wearer's vision, they may scratch the lenses of the primary frames. To alleviate the defect of view obstruction, there are designs using small clips at the edges of the frames. However, these small clips still create scratches on the lenses and the primary frames, and attaching these auxiliary frames with small clips requires some maneuvering with two hands, and it would not be easy to do so, for example, if one is driving. Also, to detach such an auxiliary frame from its primary frame, one typically have to push down at its bridge and warp the frames outward on both sides of the lenses. It is not uncommon for such actions to permanently deform the auxiliary frame.

Another approach uses two pairs of magnets instead of clips, with one pair on the primary frame and the other on the auxiliary frame. The magnets are located on the plane of the lenses, and are close to the temples of the frames. Since they are on the plane of the lenses, they have to be carefully designed so that they can blend into the general style of the frame, without being too conspicuous. One way is to make the magnets very small. With gravity pulling the auxiliary frame away from its primary frame, the magnets have to be of certain size so as to have sufficient magnetic power to hold the auxiliary frame to the primary frame.

One reason for the magnets to be close to the temples is that the pair of magnets on a frame should be as far apart as possible. This is to ensure the auxiliary frame to be right over the primary frame, not only at the locations close to the bridges of the frames, but also at the locations close to the arms of the frames. However, in order to have sufficient coupling power, the magnets on the auxiliary frame have to match in both locations and orientations to the magnets on the primary frame. This is not an easy task, especially because the magnets are typically very small for stylistic reasons.

The further away the pair of magnets are on a frame, the more difficult it is to align them in both locations and orientations to magnets on another frame. First, imagine the magnets in a primary frame are slightly off in locations from those in an auxiliary frame. Since the magnets are quite small, slight misalignment in the locations would significantly reduce magnetic coupling between the frames. Next, imagine one small magnet in the primary frame is different in orientation from its corresponding magnet in the auxiliary

2

frame. This can happen, for example, if the auxiliary frame has been slightly twisted—the magnitude of the difference is proportional to the distance between the pair of magnets on the frame. Two magnets may not even be able to couple together if they have different orientations. Misalignment in locations or orientations not only adversely affects the coupling power of the auxiliary frame to the primary frame, but also creates an unpleasant outward appearance for the wearer, especially when the auxiliary frame is tilted relative to the primary frame.

It would be apparent from the foregoing that there is a need for improved methods and apparatus to attach auxiliary frames to primary frames so that auxiliary frames can be easily, firmly and elegantly attached to primary frames.

SUMMARY OF THE INVENTION

The present invention provides methods and apparatus to easily, firmly and elegantly attach auxiliary frames to primary frames, based on magnetic members at the bridges of frames. The invention has numerous advantages. For example, it creates a very strong support for attaching auxiliary frames to primary frames, it is relatively easy to manufacture, it is easier to blend into the general design of frames, and it makes the auxiliary frames easily applicable to primary frames even with just one hand.

In one embodiment, the magnet at the auxiliary frame does not couple to the magnet at the primary frame on the plane of the lenses or the frontal plane. Instead, the magnet at the bridge of the auxiliary frame sits on the magnet at the primary frame. Coupling at a different plane, based on the present invention, reduces the difficulty in aligning the auxiliary frame over the primary frame, not only at the locations close to the bridges of the frames, but also at the locations close to the arms of the frames.

With the magnetic members at the bridges, there are many other advantages. The magnets are much less conspicuous than magnets disposed on the plane of lenses, making them easier to design and to blend them into the general style of frames. Gravity, instead of adversely affecting the coupling of the auxiliary frames to the primary frames, helps to keep them together.

Also, even if there are more than one magnet at a bridge, since the bridge is short, the magnets are in close proximity. This reduces the difficulty in aligning the locations and the orientations of the magnets in the auxiliary frame to those in the primary frame. In one embodiment where soldering is required, one only has to solder the bridge to the retaining mechanisms holding the lenses. This requires four soldering steps for both the auxiliary and primary frames: Two for the bridge at the primary frame to the two retaining mechanisms on either end of the bridge, and two for the bridge at the auxiliary frame to its retaining mechanisms. However, if the magnets are at the temples on the arms of the primary frame, one probably has to perform eight soldering steps: Two for the bridge at the primary frame to the two retaining mechanisms, two for the bridge at the auxiliary frame to its two retaining mechanisms, two for the retaining mechanisms to their corresponding arms for the primary frame, and two for the retaining mechanisms to their corresponding short arms for the auxiliary frame. With more soldering required, it is more difficult to match the locations and orientations of magnets.

In one embodiment, before magnets are assembled into the bridges, the bridges of both the primary and the auxiliary frames are made together, in one molding process. In another embodiment, both types of bridges are generated from the same mold before they are connected to their corresponding retaining mechanisms. Such manufacturing processes significantly enhance the matching in locations

6,012,811

3

and orientations of the magnets in the auxiliary frame to those in the primary frame. Moreover, such manufacturing processes enhance the matching in the curvatures of the bridges of the primary frames to the curvatures of the bridges of the auxiliary frames.

Not only is the present invention more elegant, easier to design, easier to manufacture and more secure in attachment than prior art approaches, a person can easily use one hand to attach an auxiliary frame onto a primary frame of the present invention.

In one embodiment, a first frame of an eyeglass device includes a bridge with a magnetic member, and two retaining mechanisms for supporting a pair of lenses. The retaining mechanisms defines a frontal plane, which is the plane of the lenses, or the plane in front of the face of a wearer of the eyeglass device. The bridge connects the two retaining mechanism and holds them together. The magnetic member at the bridge magnetically couples to another magnetic member at the bridge of a second frame. The coupling can occur at a coupling surface on the second frame that is substantially perpendicular to the frontal plane. When coupled, the second frame is attached to the first frame. Due to the location of the coupling, one of the frames is restricted from moving downwards relative to the other frame. The magnetic member at the bridge of the first frame can be a permanent magnet.

In another embodiment, the magnetic member at the bridge of the first frame is in the shape of a cavity so as to receive the second frame's magnetic member, which is in the shape of a protrusion that can fit into the cavity. In yet another embodiment, the magnetic member at the bridge of the first frame comprises two separate parts, with each part being adjacent to one of the retaining mechanisms.

The second frame can be the primary frame, and the first frame can be the auxiliary frame. In one embodiment, the auxiliary frame further includes a flange that extends from the bridge of the frame to further secure the attachment of the auxiliary frame to the primary frame. The flange can generally be in the lateral or in the vertical direction relative to the bridge.

Other aspects and advantages of the present invention will become apparent from the following detailed description, which, when taken in conjunction with the accompanying drawings, illustrates by way of example the principles of the invention.

BRIEF DESCRIPTION OF THE DRAWINGS

FIG. 1 shows the top view of an auxiliary frame and a primary frame in a first embodiment of the present invention.

FIG. 2 shows the front view of the first embodiment.

FIG. 3 shows the top view of the auxiliary frame attached to the primary frame in the first embodiment of the present invention.

FIG. 4 illustrates the bridge angle of the first embodiment of the present invention.

FIG. 5 shows the top view of the auxiliary frame and the primary frame in a second embodiment of the present invention.

FIG. 6 shows the top view of the auxiliary frame attached to the primary frame in the second embodiment of the present invention.

FIG. 7 shows the front view of the second embodiment.

FIGS. 8-9A, 9B show embodiments of the present invention where the bridges include a cavity and a protrusion.

FIGS. 10A, 10B, 10C show an embodiment of the present invention with a hinge at the bridge.

FIG. 11 shows an embodiment of the present invention with the bridge including lateral extensions.

4

FIGS. 12A, 12B show an auxiliary frame with lateral extensions attached to a primary frame in the present invention.

FIG. 13 shows an embodiment of the present invention with the bridge including a vertical extension.

FIG. 14 shows an auxiliary frame with a vertical extension attached to a primary frame in the present invention.

FIG. 15 illustrates the bridge angle and the extension angle of the embodiment of the present invention that has a vertical extension at the bridge.

FIG. 16 shows another embodiment of the present invention where the bridge of the auxiliary frame includes a U-shaped structure having two arms.

Same numerals in FIGS. 1-16 are assigned to similar elements in all the figures. Embodiments of the invention are discussed below with reference to FIGS. 1-16. However, those skilled in the art will readily appreciate that the detailed description given herein with respect to these figures is for explanatory purposes as the invention extends beyond these limited embodiments.

DETAILED DESCRIPTION OF THE INVENTION

FIG. 1 shows the top view of an auxiliary frame 102 and a primary frame 104 in a first embodiment of the present invention. In order to better illustrate the present invention, many components are not shown in the figure.

The auxiliary frame 102 includes two retaining mechanisms, 106 and 108, a bridge 112, and a magnetic member 114. The retaining mechanisms support a pair of auxiliary lenses, 105 and 107, and defines a frontal plane 110, which is the plane in front of the face of a wearer of the embodiment 100. The bridge 112 connects the two retaining mechanisms and holds them together. The magnetic member 114 at the bridge 112 of the auxiliary frame 102 magnetically couples to another magnetic member 116 at the bridge 118 of the primary frame 104. In one embodiment, the magnetic member 114 of the auxiliary frame is located in an extension, which extends slightly over and sits on the bridge of the primary frame as shown in FIG. 3. As an example, the width 113 of the extension is about 10 mm. In one embodiment, the surface area of the bridge of the auxiliary frame is more than 28 mm square.

The primary frame 104 also includes two retaining mechanisms, 120 and 122, for supporting a pair of primary lenses, 124 and 126. The bridge 118 at the primary frame 104 connects the two retaining mechanisms, 120 and 122, and holds the two mechanisms together.

FIG. 2 shows the front view of the first embodiment with the auxiliary frame 102 magnetically coupled to the primary frame 104, while FIG. 3 shows the top view. As shown in the figures, due to the location of the magnetic members, when the primary frame 104 is magnetically coupled to the auxiliary frame 102, the auxiliary frame 102 is restricted from moving downwards relative to the primary frame 104. In one embodiment, one frame is restricted from moving downwards means that gravity helps the frame to be attached to the other frame; in another embodiment, one frame is restricted from moving downwards means that friction, due to gravity, helps the frame to be attached to the other frame. The enhancement is better illustrated in FIG. 4. The magnetic coupling of the magnetic members, 114 and 116, occurs at a coupling surface 130 on the primary frame 104. The coupling surface 130 is substantially perpendicular to the frontal plane 110. To be more specific, the angle between the coupling surface 130 and the frontal plane 110 is defined as the bridge angle 132. In one embodiment, the coupling surface 130 being substantially perpendicular to the frontal plane 110 means that the bridge angle 132 is

6,012,811

5

approximately in the range of 135 degrees and 45 degrees. This range can increase with stronger magnets due to the advancement in the magnet technology. In another embodiment, the bridge angle is less than 90 degrees, but more than 45 degrees. In yet another embodiment, the bridge angle is between 90 degrees and 75 degrees.

In one embodiment, when the frames are coupled, the orientation of the coupling surface **130** at the primary frame is similar to the orientation of the auxiliary frame coupling surface **140**, as shown in FIG. 4. In another embodiment, the surface of each magnetic member that is for magnetic coupling to another magnetic member is defined as a magnetic coupling surface, such as the surface **115**. When the frames are coupled, the orientation of the magnetic coupling surface of the magnetic member **114** at the auxiliary frame is substantially the same as the orientation of the magnetic coupling surface of the magnetic member **116** at the primary frame. Matching the two orientations of the magnetic coupling surfaces enhances magnetic coupling between the two frames.

To further enhance coupling between the two frames, in one embodiment, the magnetic coupling surface of each magnetic member has no bumps, or is smooth. In the present invention, a bump is defined as a small structure on the magnetic coupling surface of a magnetic member that is bigger than 10 microns in any of its lateral dimensions and 10 microns high. Also, bumps are small structures that, due to its minute size, it is easy to randomly dispose more than one hundred of them on the magnetic coupling surface of a magnet.

In yet another embodiment, one of the magnetic members slightly protrudes from its coupling surface to ensure that, when the frames are attached together, the two magnetic members are in contact, instead of other areas at the coupling surfaces in contact. Again this enhances attachment of the two frames.

In a further embodiment, at least one of the magnetic members slightly recedes from its coupling surface, for example by ten microns. The receding prevents the magnetic members from touching each other when frames are coupled together. In one class of permanent magnets, if they are exposed to the atmosphere, corrosion can occur. To prevent corrosion, after the magnets are assembled into their corresponding bridges, the surfaces of the magnets exposed to the atmosphere are plated. Every time when the frames are coupled, if their corresponding magnetic members touch, as time goes by, the plating might be chipped, exposing the underlying magnets. This embodiment reduces the chance of corrosion by slightly receding at least one magnetic member from the coupling surface so that even with plating, the plated magnetic surfaces would not be in contact when the frames are coupled together. Then when frames are coupled, the magnetic members would be magnetically coupled, but not mechanically coupled, with other parts on the coupling surfaces mechanically coupled together.

If the auxiliary lenses are shades so that the first embodiment **100** acts as sunglasses, preferably, sun rays should be prevented from entering into the gap between the primary lenses and the secondary lenses. Due to the location of the magnetic members, the intrusion of sun rays in between the primary and the auxiliary frames is substantially reduced.

In the present invention, a magnetic member can be a permanent magnet or a magnetizable element, such as iron or magnetizable stainless steel. In one embodiment, a part is magnetizable if it can be attracted by a magnet. For magnetic coupling, at least one of the magnetic members is a permanent magnet. If both members are permanent magnets, but of opposite polarity at the coupling surface **130**, the strength in magnetic coupling will be stronger.

FIG. 5 shows the top view of the primary frame **150** and the auxiliary frame **165** in a second embodiment **180** of the

6

present invention. In this embodiment, the magnetic member at the bridge **152** of the primary frame **150** includes two separate parts, **154** and **156**, with each part being adjacent to one of the retaining mechanisms; for example, the magnetic member part **154** can be adjacent to the retaining mechanism **158**, and the magnetic member part **156** can be adjacent to the retaining mechanism **160**. This enablement is applicable to bridges that are curved, as shown in FIG. 7. FIG. 6 shows the top view of the auxiliary frame **165** attached to the primary frame **150** in the second embodiment of the present invention. FIG. 7 shows the front view of this second embodiment **180**.

In one embodiment, when coupled, the orientation of the magnetic members **174** and **176** at the auxiliary frame coupling surface is substantially the same as the orientation of the magnetic members **154** and **156** at the primary frame coupling surface, as in the first embodiment. Matching the orientations of the magnetic members enhances magnetic coupling between the two frames. In yet another embodiment, one set of the magnetic members slightly protrudes from their corresponding coupling surface to ensure that, when the frames are attached together, the magnetic members are in contact, instead of other areas at the coupling surfaces in contact. The set that protrudes can be both members from one frame, or one member from the auxiliary frame with the member not directly opposite to that member from the primary frame. The amount of protrusions from the two members should be substantially the same. Again this enhances attachment of the two frames. It is much easier to match the orientations of the magnetic members when they are located at the bridges, instead of much further apart on the frames, especially when typically frames are artistically curved, fitting the circumferential profile of a typical face.

Although the present invention has only illustrated a magnetic member with only one or two parts, it should be clear that a magnetic member can have more than two parts.

FIGS. 8-9A-B show embodiments of the present invention where the bridges include a cavity and a protrusion. FIG. 8 shows the top view of the bridge **200** of a primary frame, with a magnetic cavity member **202**. In this example, the cavity is a ring, with the magnetic member lining the walls of the ring. However, in other examples, the cavity can be a square or of other shapes. FIG. 9A shows the front view of the bridge **204**, with a magnetic protrusion member **206** that fits into the magnetic cavity member **202**. The protrusion and the cavity further enhance the security of attachment of the auxiliary frame into the primary frame. In one embodiment, the wall of the ring **202** is a permanent magnet, while the protrusion is a magnetizable element **206**, or vice versa. When coupled, at least a part of the protrusion fits into the cavity. In another embodiment, both the cavity walls and the protrusion are permanent magnets of opposite polarity. FIG. 9B shows another embodiment of the front view of the bridges with a cavity and a protrusion. In this embodiment, the magnetizable member is located at the distal part **210** of the protrusion **212**, and at the bottom **214** of the cavity **216**; the cavity does not go all the way through the bridge **218**. Different combinations are applicable. For example, the cavity **216** is a magnetizable member, and the protrusion **212**, not just its distal end, is a permanent magnet. In another example, a permanent magnet **214** sits at the bottom of the cavity **216**, while the protrusion **212** is a magnetizable member.

In yet another embodiment, both the cavity walls and the protrusion are not permanent magnets, but the bridges include magnetic members such as those in the first or in the second embodiments. The protrusion and the cavity further improve the security in the attachment of the auxiliary frame to the primary frame. In this embodiment, again, the cavity

6,012,811

7

can be similar to the cavity shown in FIG. 9B, where it does not have to go all the way through the bridge.

In one embodiment, the primary frame includes one or more magnetizable member, and the auxiliary frame includes one or more permanent magnets. The magnetic members are located as in either the first or the second 5 embodiments. The bridge at the primary frame further includes a cavity to receive a protrusion located at the bridge of the auxiliary frame. The magnetic members with the protrusion and the cavity are located at the bridges, but are distributed apart for maximum mechanical strengths. For 10 example, the magnetic members can be located as in the second embodiment with the cavity and the protrusion located at the center of the bridges, as in FIG. 9. As an example, the protrusion is made of nickel-silver, stainless steel or titanium, and is a rod that is about 1 mm long and 15 about 1.5 mm in diameter.

FIGS. 10A–C show an embodiment 250 of an auxiliary frame of the present invention with a hinge 251 at the bridge 253. FIG. 10A shows the top view of the auxiliary frame with a primary frame; FIGS. 10B–C show the front view and 20 the top view of the auxiliary frame attached to the primary frame. One benefit of having a hinge is that the frame can be folded, which will save storage space for the auxiliary frame.

FIG. 11 shows an embodiment 260 of an auxiliary frame 25 of the present invention with the bridge including a flange that extends from the bridge of the frame to further secure the attachment of the auxiliary frame to a primary frame. This flange enhances attachment between the primary and the auxiliary frames, and can reduce the gap between the two 30 frames. In FIG. 11, the flange includes two lateral extending parts, 261 and 263, each extending laterally from one end of the bridge 265.

FIGS. 12A–B show the front view and the top view of the auxiliary frame with lateral extensions attached to a primary 35 frame 275 in the present invention. When the auxiliary frame is attached to the primary frame, a portion of each retaining mechanism of the primary frame, such as the portion 277, is disposed between a portion of the retaining mechanism of the auxiliary frame and a portion of one 40 lateral extension. The extensions further restrict the separation of the auxiliary frame from the primary frame after their attachment. Note that the auxiliary frame can still be easily attached to the primary frame with one hand even with the 45 extensions. To prevent intrusion into the wearer's vision, the extensions are relatively short. In one embodiment, the length 281 of an extension is about 1 mm, and its thickness is the thickness of the bridge.

FIG. 13 shows an embodiment of an auxiliary frame 300 50 of the present invention where the flange 302 is vertical relative to the bridge. For such a flange when the auxiliary frame 300 is attached to a primary frame, the bridge of the primary frame is disposed between frontal plane and the flange, as shown in FIG. 14. Again, the vertical flange further restricts the separation of the auxiliary frame from the primary frame after their attachment. Also the auxiliary 55 frame can still be easily attached to the primary frame with one hand even with the vertical extension. In one embodiment, the length 304 of the extension 302 is about 1.5 mm, and its thickness is the thickness of the bridge.

The width 306 of the bridge of the auxiliary frame can be wider than the width 308 of the bridge of the primary frame. 60 As an example, with the vertical flange, when the auxiliary frame is attached to the primary frame, there can be a gap 310 between the extension and the bridge of the primary frame, as shown in FIG. 15. In one embodiment, the gap is about 1 mm.

FIG. 15 also illustrates the bridge angle 314 and an extension angle 312 of the embodiment of the present

8

invention that has a vertical extension at the bridge. In one embodiment, with the vertical flange, the bridge angle 314 is between about 30 degrees and 150 degrees. The extension angle 312 is defined as the angle between the vertical flange 302 and the bridge 314. In one embodiment, the extension 5 angle is between 45 degrees and 135 degrees.

FIG. 16 shows the bridges of yet another embodiment of the present invention where the bridge of the auxiliary frame includes a U-shaped structure 350 having two arms, 352 and 354, one on top and one on the bottom of the bridge 360 of the primary frame. In one embodiment, the magnetic member at the auxiliary frame includes two separate parts, with each part located at each arm of the U-shaped structure; for 10 example, the member 358 at the arm 354, and the member 356 at the arm 352. Note that the members 356 and 358, each can further include more than one portion, as in the second embodiment. In another embodiment, the bottom arm 354 does not include any magnetic member. In yet another 15 embodiment, the bridge 360 of the primary frame also includes its magnetic member, disposed at a location with the correct polarity with respect to the magnetic member of the auxiliary frame.

In the embodiment shown in FIG. 16, when the auxiliary frame is attached to the primary frame, the bridge 360 of the primary frame is sandwiched between the arms of the 25 U-shaped structure 350. Typically, due to gravity, the magnetic member 356 at the top arm 352 of the auxiliary frame is magnetically coupled to the bridge of the primary frame, with a gap between the bottom arm and the bridge of the primary frame. As an example, the bridge of the primary 30 frame is steel, with a thickness of about 1 mm, and the thickness of the U-shaped bridge is about 4 mm.

In one embodiment, each magnet is held in its corresponding frame by a housing, which is the immediate area 35 of the frame encapsulating a part, typically a significant part, of the magnet. The size of each magnet is slightly larger than the housing holding it. Each magnet is incorporated into its housing on the frame through pressure insertion. To keep the magnet in its housing, the magnet is slightly larger than its housing. In one embodiment, at least in one lateral dimension, or one of the dimensions a housing holding its 40 magnet, such as the diameter of a round magnet, slightly larger means that the difference in size between the magnet and the housing is between 5 microns and 180 microns.

In another embodiment, the edges of the magnetic coupling surface of each magnet are chamfered to remove any sharp corners. If magnets are plated after they have been 45 installed into their respective housings, chamfering the edges improves step coverage in plating. In other words, plating on a magnet can be more smooth at the intersection between the magnet and its housing through chamfering. Also, chamfering replaces sharp corners with sloping corners. If a magnet is installed into its housing through 50 pressure insertion, the sloping corners guide the magnet into its housing. One way to chamfer is by buffing.

Magnets used in this invention are selected to have sufficient magnetic power to couple the frames together. In 55 one embodiment, the magnetic field strength of each magnet is between 2500 and 3500 gauss; in another, the field strength is more than 2500 gauss, but less than 6000 gauss. In one embodiment, each magnet has a magnetic coupling surface of more than 14 mm square and a thickness of more 60 than 1 mm. In another embodiment, each magnet has a magnetic coupling surface of at least 14 mm square and a thickness of more than 2 mm. In yet another embodiment, each magnet has a magnetic coupling surface of at least 28 mm square and a thickness of more than 1 mm.

65 Different embodiments in the present invention can be combined in different ways. For example, the vertical flange can be combined with the lateral flanges. The hinge can be

6,012,811

9

combined with the lateral flanges. Also, it should be obvious to those skilled in the art the methods to build each embodiment. This specification will not further describe different fabrication techniques.

Note that the different types of bridges as described, individually, is a different embodiment of the present invention. Also, different types of auxiliary frames and different forms of primary frames, individually, is also a different embodiment of the present invention.

Other embodiments of the invention will be apparent to those skilled in the art from a consideration of this specification or practice of the invention disclosed herein. It is intended that the specification and examples be considered as exemplary only, with the true scope and spirit of the invention being indicated by the following claims.

We claim:

1. An eyeglass device comprising:
 - a first frame including
 - two retaining mechanisms for supporting a pair of lenses, and defining a frontal plane,
 - a bridge connecting the two retaining mechanisms and holding the two retaining mechanisms together, and
 - a first magnetic member at the bridge for magnetically coupling to another magnetic member at the bridge of a second frame;
 - such that when coupled,
 - the two frames are attached together,
 - due to the locations of the magnetic members, one of the frames is restricted from moving downwards relative to the other frame, and
 - the two magnetic members are coupled at a surface that is not parallel to the frontal plane.
2. An eyeglass device as recited in claim 1 wherein the coupling occurs at a coupling surface on the second frame that is substantially perpendicular to the frontal plane.
3. An eyeglass device as recited in claim 2 wherein when the two frames are coupled, the orientation of the magnetic member of the first frame is substantially the same as the orientation of the magnetic member of the second frame at the coupling surface.
4. An eyeglass device as recited in claim 2 wherein:
 - the first frame includes a first-frame coupling surface; and
 - the magnetic member of the first frame slightly protrudes from the first-frame coupling surface to enhance magnetic coupling when the two frames are coupled.
5. An eyeglass device as recited in claim 2 wherein at least one magnetic member slightly recedes from the coupling surface so that the two magnetic members magnetically, but not mechanically coupled, when the two frames are coupled together.
6. An eyeglass device as recited in claim 2 wherein:
 - the surface of each magnetic member that is for magnetic coupling to another magnetic member is defined as a magnetic coupling surface; and
 - the magnetic coupling surface of each magnetic member has no bumps to enhance coupling between the two frames.
7. An eyeglass device as recited in claim 2 wherein:
 - the surface of the permanent magnet that is for magnetic coupling to another magnetic member is defined as a magnetic coupling surface; and
 - the edges of the magnetic coupling surface are chamfered to remove any sharp corners.
8. An eyeglass device as recited in claim 2 wherein:
 - the magnetic member at the bridge of the first frame is a permanent magnet;
 - the permanent magnet has a magnetic field strength of at least 2500 gauss;

10

the permanent magnet has a magnetic coupling surface, which is the surface the magnet magnetically couples to the magnetic member of the second frame;

the magnetic coupling surface has a surface area of more than 14 mm square; and

the height of the permanent magnet is more than 1 mm.

9. An eyeglass device as recited in claim 1 wherein the magnetic member at the bridge of the first frame is a permanent magnet.

10. An eyeglass device as recited in claim 9 wherein:

the permanent magnet is partially encapsulated by a housing in the first frame; and

the size of the permanent magnet is slightly larger than the size of the housing at least in one lateral dimension, which is a dimension that the housing is holding the magnet.

11. An eyeglass device as recited in claim 1 wherein the magnetic member at the bridge of the first frame comprises two separate parts, with each part being adjacent to one of the retaining mechanisms.

12. An eyeglass device as recited in claim 1 wherein:

the bridge of the first frame further includes a U-shaped structure having two arms; and

the magnetic member at the first frame is disposed at least on one of the arms;

such that magnetic coupling occurs when the bridge of the second frame is sandwiched between the arms of the U-shaped structure.

13. An eyeglass device as recited in claim 1 wherein:

the coupling occurs at a coupling surface on the second frame; and

the angle between the coupling surface and the frontal plane is approximately between 135 degrees and 45 degrees.

14. An eyeglass device as recited in claim 1 wherein the first frame is an auxiliary frame to receive the second frame, which is a primary frame.

15. An eyeglass device as recited in claim 14 wherein the bridge of the auxiliary frame includes a hinge for folding the auxiliary frame.

16. An eyeglass device as recited in claim 15 wherein the magnetic member at the bridge of the auxiliary frame comprises two separate parts, with each part being adjacent to one of the retaining mechanisms.

17. An eyeglass device as recited in claim 14 wherein the auxiliary frame further includes a flange that extends from the bridge of the frame to further secure the attachment of the auxiliary frame to the primary frame.

18. An eyeglass device as recited in claim 17 wherein the flange includes two lateral extensions, each extending laterally from one end of the bridge;

such that when the auxiliary frame is attached to the primary frame, a portion of each retaining mechanism of the primary frame is disposed between a portion of a retaining mechanism of the auxiliary frame and a portion of one lateral extension.

19. An eyeglass device as recited in claim 17 wherein the flange includes a vertical extension, extending vertically from the bridge;

such that when the auxiliary frame is attached to the primary frame, the bridge of the primary frame is disposed between frontal plane and at least a portion of the extension.

20. An eyeglass device as recited in claim 19 wherein the width of the bridge of the auxiliary frame is wider than the width of the bridge of the primary frame so that when the auxiliary frame is attached to the primary frame, there can be a gap between the flange and the bridge of the primary frame.

11

21. An eyeglass device as recited in claim 17, wherein:
the flange includes an extension extending from the
bridge; and
the extension subtends an extension angle with the bridge
of the auxiliary frame, such that the extension angle is
between 45 and 135 degrees;
such that when the auxiliary frame is attached to the
primary frame, the bridge of the primary frame is
disposed between frontal plane and at least a portion of
the extension.
22. An eyeglass device comprising:
a bridge connecting two retaining mechanism and holding
them together, with the two mechanisms supporting a
pair of lenses of a first frame; and
a magnetic member at the bridge for magnetically coupling
to another magnetic member at the bridge of a
second frame;
such that:
the two retaining mechanisms defines a frontal plane;
and
when coupled,
the two frames are attached together,
due to the location of the magnetic members, one of
the frames is restricted from moving downwards
relative to the other frame; and
the two magnetic members are coupled at a
surface that is not parallel to the frontal phase.
23. An eyeglass device as recited in claim 22 wherein the
coupling occurs at a coupling surface on the second frame
that is substantially perpendicular to the frontal plane.
24. An eyeglass device as recited in claim 22 wherein the
magnetic member at the bridge of the first frame is a
permanent magnet.
25. An eyeglass device as recited in claim 22 wherein the
magnetic member at the bridge of the first frame comprises
two separate parts, with each part being adjacent to one of
the retaining mechanisms.
26. An eyeglass device comprising:
an auxiliary frame including
two retaining mechanisms for supporting a pair of
lenses, and defining a frontal plane,
a bridge connecting the two retaining mechanisms and
holding them together, and
a magnetic member at the bridge; and
a primary frame including
two retaining mechanisms for supporting a pair of
lenses,
a bridge connecting the two retaining mechanisms and
holding them together, and
a magnetic member at the bridge for magnetically
coupling to the magnetic member at the bridge of the
auxiliary frame;

12

such that when coupled,
the two frames are attached together,
due to the location of the magnetic members, the
auxiliary frame is restricted from moving down-
wards relative to the primary frame; and
the two magnetic members are coupled at a surface that
is not parallel to the frontal phase.
27. An eyeglass device as recited in claim 26 wherein the
coupling occurs at a coupling surface on the primary frame
that is substantially perpendicular to the frontal plane.
28. An eyeglass device as recited in claim 26 wherein the
magnetic member at the bridge of the auxiliary frame is a
permanent magnet.
29. An eyeglass device as recited in claim 26 wherein
each magnetic member at each bridge comprises two separate
parts, with each part being adjacent to one of the
retaining mechanisms of the corresponding frame.
30. An eyeglass device as recited in claim 26 wherein the
auxiliary frame further includes a flange that extends from
the bridge of the frame to further secure the attachment of
the auxiliary frame to the primary frame.
31. An eyeglass device comprising:
a primary frame including
two retaining mechanisms for supporting a pair of
lenses, and defining a frontal plane,
a bridge connecting the two retaining mechanisms, and
holding them together, and
a first magnetic member at the bridge for magnetically
coupling to a second magnetic member at the bridge
of an auxiliary frame;
such that when coupled,
the two frames are attached together,
due to the location of the magnetic members, the
auxiliary frame is restricted from moving down-
wards relative to the primary frame; and
the two magnetic members are coupled at a surface that
is not parallel to the frontal phase.
32. An eyeglass device as recited in claim 31 wherein the
coupling occurs at a coupling surface on the primary frame
that is substantially perpendicular to the frontal plane.
33. An eyeglass device as recited in claim 31 wherein the
magnetic member at the bridge of the primary frame is a
magnetizable member.
34. An eyeglass device as recited in claim 31 wherein
each magnetic member at each bridge comprises two separate
parts, with each part being adjacent to one of the
retaining mechanisms of the corresponding frame.
35. An eyeglass device as recited in claim 31 wherein the
auxiliary frame further includes a flange that extends from
the bridge of the auxiliary frame to further secure the
attachment of the auxiliary frame to the primary frame,
when the auxiliary frame is coupled to the primary frame.

* * * * *

EXHIBIT "C"



US006092896A

United States Patent [19]
Chao et al.

[11] **Patent Number:** **6,092,896**
 [45] **Date of Patent:** ***Jul. 25, 2000**

- [54] **EYE-WEAR WITH MAGNETS**
- [75] Inventors: **David Chao**, Towson, Md.; **Richard Chao**, Chia Yi Hsien, Taiwan
- [73] Assignee: **Contour Optik, Inc.**, Taiwan
- [*] Notice: This patent is subject to a terminal disclaimer.
- [21] Appl. No.: **09/369,026**
- [22] Filed: **Aug. 4, 1999**

1037755 9/1953 France .
 2483632 4/1981 France .

(List continued on next page.)

OTHER PUBLICATIONS

- K.H.J. Buschow, A.M. van Diepen and H.W. de Wijn: *Crystal-Field Anisotropy of Sm³⁺* IN SmCo₅, Solid State Communications, vol. 15, No. 5, pp. 903-906, 1974.
- English language abstract of Japanese Publication No. 55-50217.
- English language abstract of Japanese Publication No. 54-111842.
- English language abstract of Japanese Publication No. 54-111841.
- English language abstract of Japanese Publication No. 1-136114.
- English language abstract of Japanese Publication No. 56-29209.
- English language abstract of Japanese Publication No. 44-15392.
- English language abstract of Japanese Publication No. 5-157997.

(List continued on next page.)

Related U.S. Application Data

- [63] Continuation of application No. 08/963,299, Nov. 3, 1997, Pat. No. 6,012,811, which is a continuation-in-part of application No. 08/766,327, Dec. 13, 1996, Pat. No. 5,737,054, and a continuation-in-part of application No. 08/847,711, Apr. 28, 1997, and a continuation-in-part of application No. 08/865,379, May 29, 1997, Pat. No. 5,786,880.
- [51] **Int. Cl.⁷** **G02C 9/00**
- [52] **U.S. Cl.** **351/47; 351/57**
- [58] **Field of Search** **351/47, 57, 48, 351/58, 41, 106, 158; 2/441, 443**

Primary Examiner—Hung Xuan Dang
Attorney, Agent, or Firm—Fliesler, Dubb, Meyer & Lovejoy LLP

ABSTRACT

[57] A first frame of an eyeglass device includes a bridge with a magnetic member, and two retaining mechanisms for supporting a pair of lenses. The retaining mechanisms defines a frontal plane. The bridge ties the two retaining mechanism together, with the magnetic member magnetically coupling to another magnetic member at the bridge of a second frame. In one embodiment the coupling occurs at a coupling surface on the second frame that is substantially perpendicular to the frontal plane. The magnetic member at the bridge of the first frame can be a permanent magnet or a magnetizable member. The second frame can be a primary frame, and the first frame can be an auxiliary frame.

22 Claims, 7 Drawing Sheets

References Cited

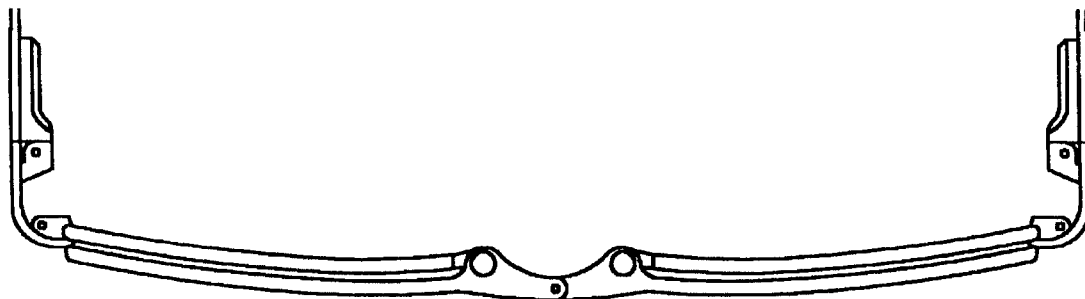
U.S. PATENT DOCUMENTS

2,737,847	3/1956	Tesauro	351/41
2,770,168	11/1956	Tesauro	351/41
3,498,701	3/1970	Miller	351/57
3,531,188	9/1970	LeBlanc et al.	351/48
3,565,517	2/1971	Gitlin et al.	351/106
3,582,192	6/1971	Gitlin et al.	351/52
3,838,914	10/1974	Fernandez	351/106
4,070,103	1/1978	Meeker	

(List continued on next page.)

FOREIGN PATENT DOCUMENTS

76209045	9/1976	China .
1117593	2/1996	China .
1061253	4/1954	European Pat. Off. .
0469699	2/1992	European Pat. Off. .
0743545	11/1996	European Pat. Off. .
915421	11/1946	France .



6,092,896

Page 2

U.S. PATENT DOCUMENTS

4,196,981 4/1980 Waldrop 351/59
 4,547,909 10/1985 Bell 2/431
 4,988,181 1/1991 Riach 351/52
 5,181,051 1/1993 Townsend et al. 351/52
 5,243,366 9/1993 Blevins 351/57
 5,321,442 6/1994 Albanese 351/44
 5,389,981 2/1995 Riach 351/158
 5,410,763 5/1995 Bolle 2/436
 5,416,537 5/1995 Sadler 351/57
 5,642,177 6/1997 Sunreeve .
 5,737,054 4/1998 Chao 351/47

FOREIGN PATENT DOCUMENTS

1266652 12/1981 France .
 2657436 7/1991 France .
 1797366 1/1971 Germany .
 85 07 761 U 6/1985 Germany .
 88 06 898 U 10/1988 Germany .
 3905041 8/1990 Germany .
 3919489 12/1990 Germany .
 3920879 1/1991 Germany .
 3921987 1/1991 Germany .
 39333310 1/1991 Germany .
 9216919 2/1993 Germany .
 43 16 698 11/1994 Germany .
 44-15392 7/1969 Japan .
 54-111841 9/1979 Japan .
 54-111842 9/1979 Japan .
 55-50217 4/1980 Japan .
 56-29209 3/1981 Japan .
 57-184910 11/1982 Japan .
 61-2621 1/1986 Japan .
 1-136114 5/1989 Japan .
 2-109325 8/1990 Japan .
 5-157997 6/1993 Japan .
 5-40493 10/1993 Japan .
 7-128620 5/1995 Japan .
 220885 6/1968 Russian Federation .
 572222 1/1976 Switzerland .
 274588 4/1996 Taiwan .
 846425 8/1960 United Kingdom .
 855268 11/1960 United Kingdom .
 WO 90/09611 8/1990 WIPO .

OTHER PUBLICATIONS

English language abstract of Japanese Publication No. 612621.
 English language abstract of Japanese Publication No. 5-40493.
 English language abstract of German Publication No. 9216919.
 English language abstract of German Publication No. 1797366.
 English language abstract of German Publication No. 43 16 698.
 English language abstract of German Publication No. 39333310.
 English language abstract of German Publication No. 3921987.
 English language abstract of German Publication No. 3920879.
 English language abstract of German Publication No. 3919489.
 English language abstract of German Publication No. 3905041.
 English language abstract of French Publication No. 1266652.
 English language abstract of French Publication No. 1037755.
 English language abstract of French Publication No. 2657436.
 English language abstract of French Publication No. 2483632.
 English language abstract of French Publication No. 915421.
 English language of Switzerland Publication No. 572222.
 English language abstract of Russian Publication No. 220885.
 English language abstract of Taiwan Publication No. 274588.
 English language abstract of Chinese Publication No. 1117593.
 Documents describing Twincome in a Patent Opposition Proceeding in Germany initiated by Pentax, on or around Apr. 30, 1997.

U.S. Patent

Jul. 25, 2000

Sheet 1 of 7

6,092,896

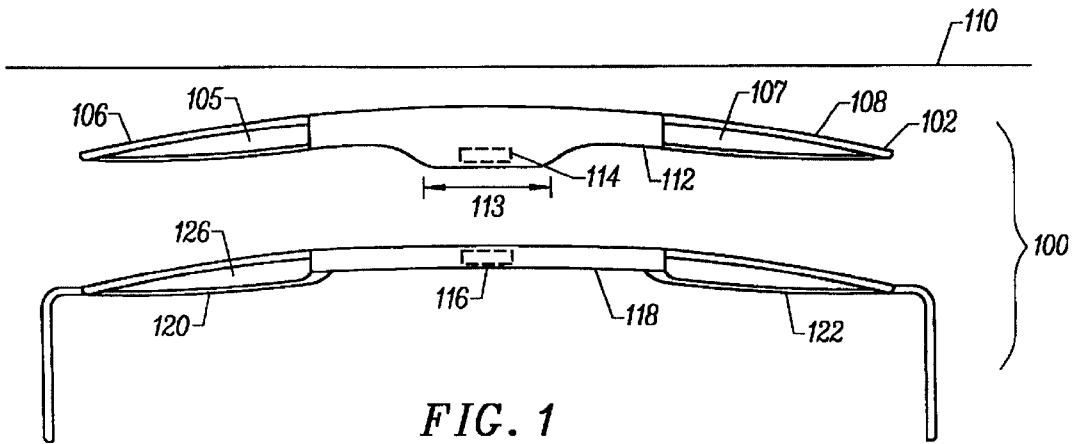


FIG. 1

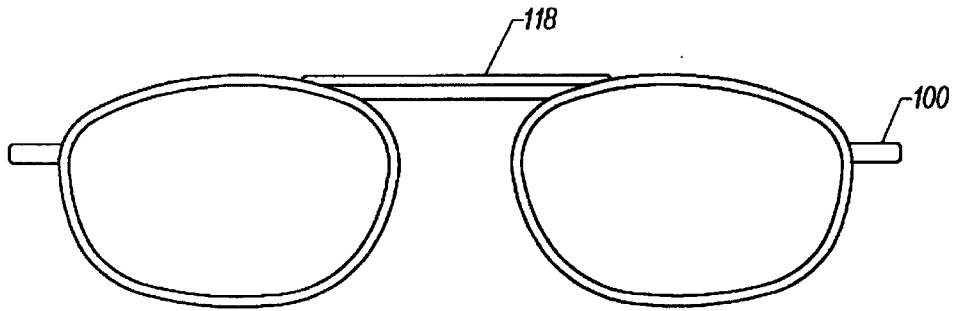


FIG. 2

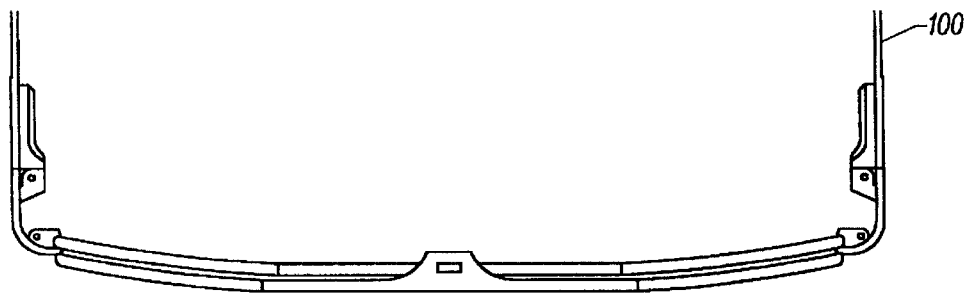


FIG. 3

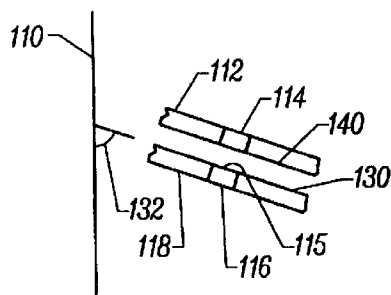


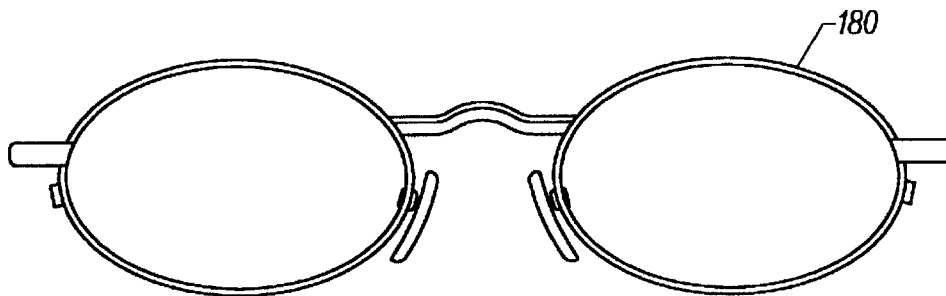
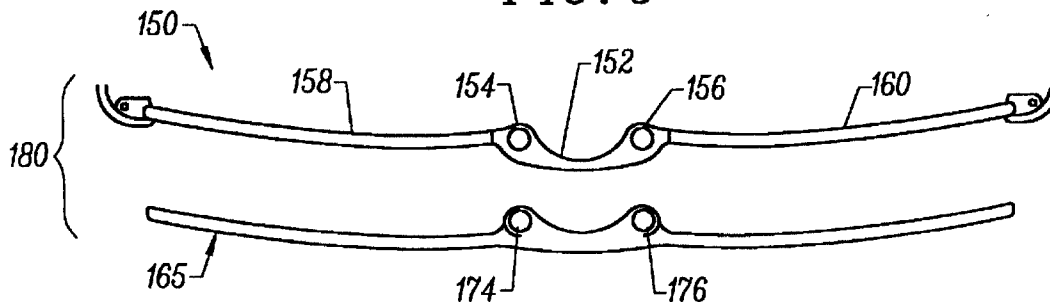
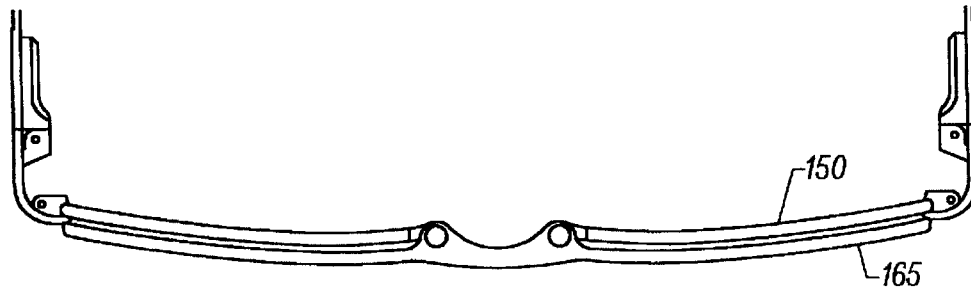
FIG. 4

U.S. Patent

Jul. 25, 2000

Sheet 2 of 7

6,092,896



U.S. Patent

Jul. 25, 2000

Sheet 3 of 7

6,092,896

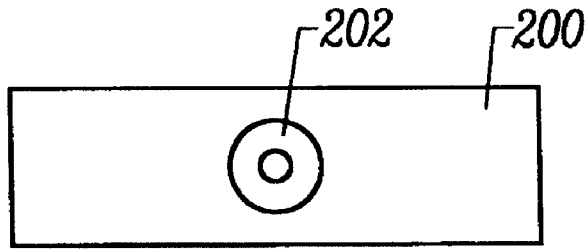


FIG. 8

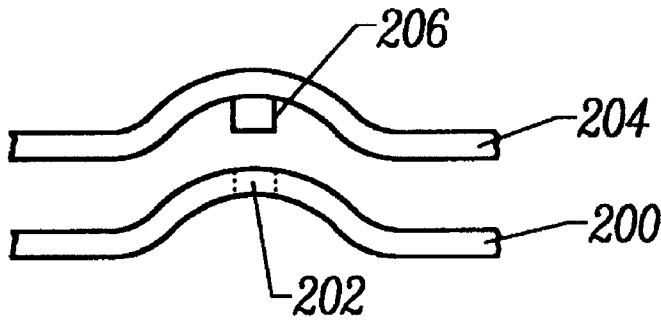


FIG. 9A

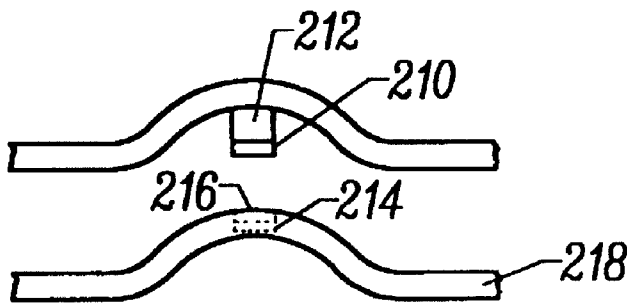


FIG. 9B

U.S. Patent

Jul. 25, 2000

Sheet 4 of 7

6,092,896

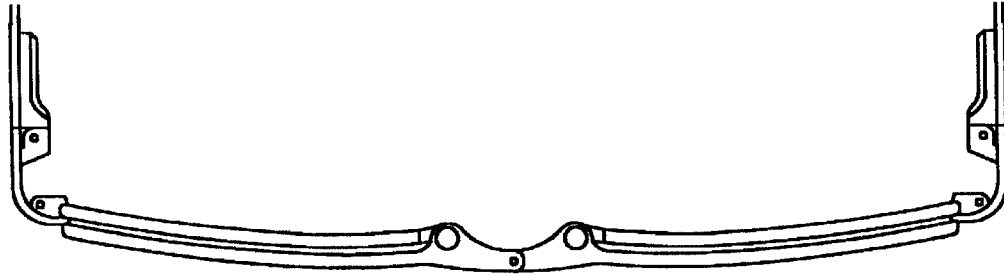


FIG. 10C

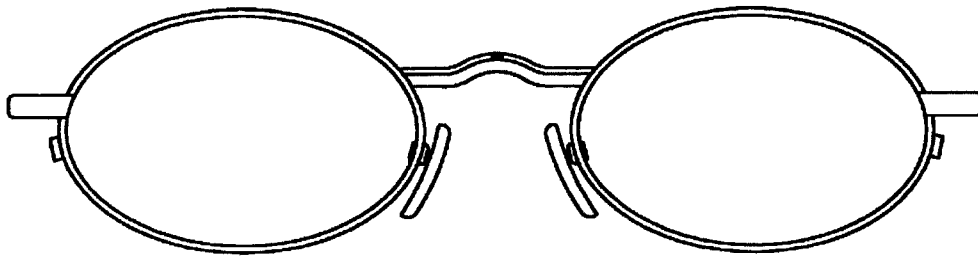


FIG. 10B

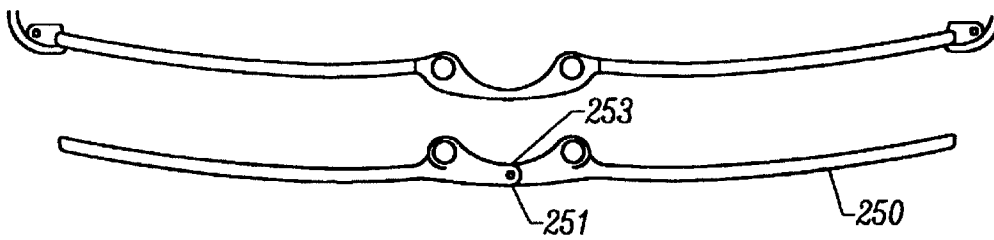


FIG. 10A

U.S. Patent

Jul. 25, 2000

Sheet 5 of 7

6,092,896

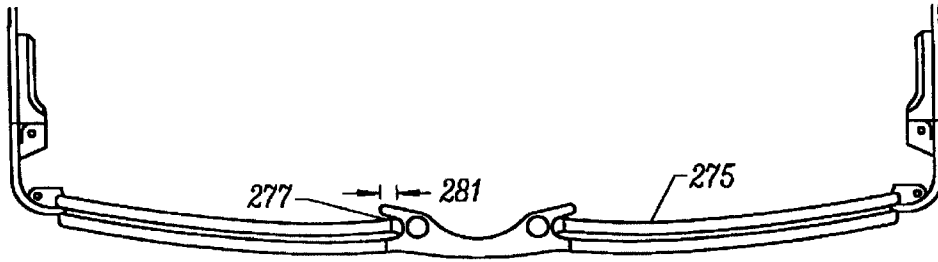


FIG. 12B

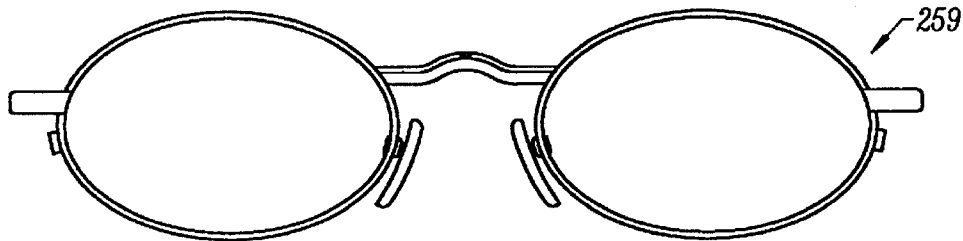


FIG. 12A

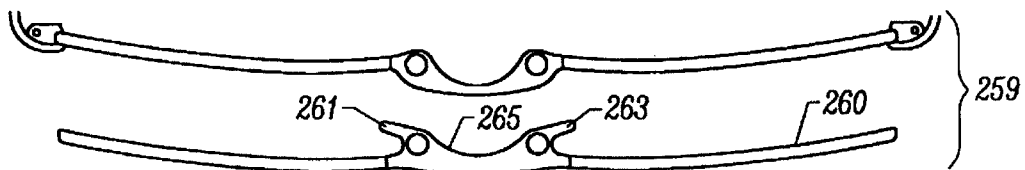


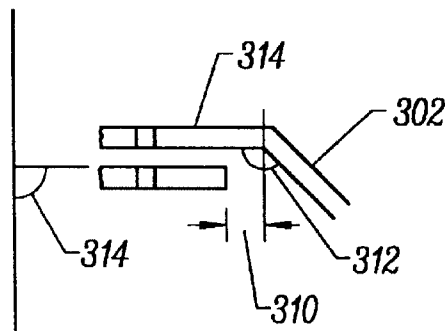
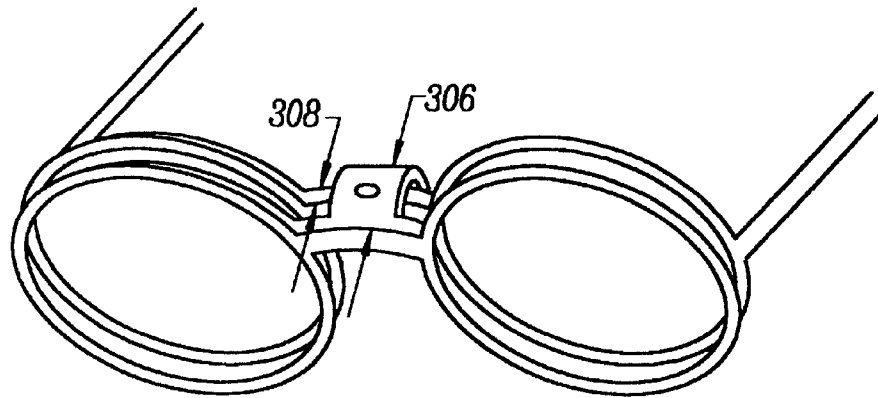
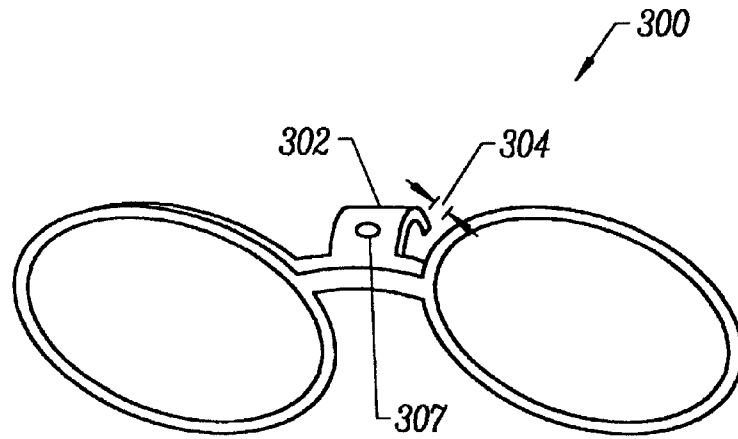
FIG. 11

U.S. Patent

Jul. 25, 2000

Sheet 6 of 7

6,092,896



U.S. Patent

Jul. 25, 2000

Sheet 7 of 7

6,092,896

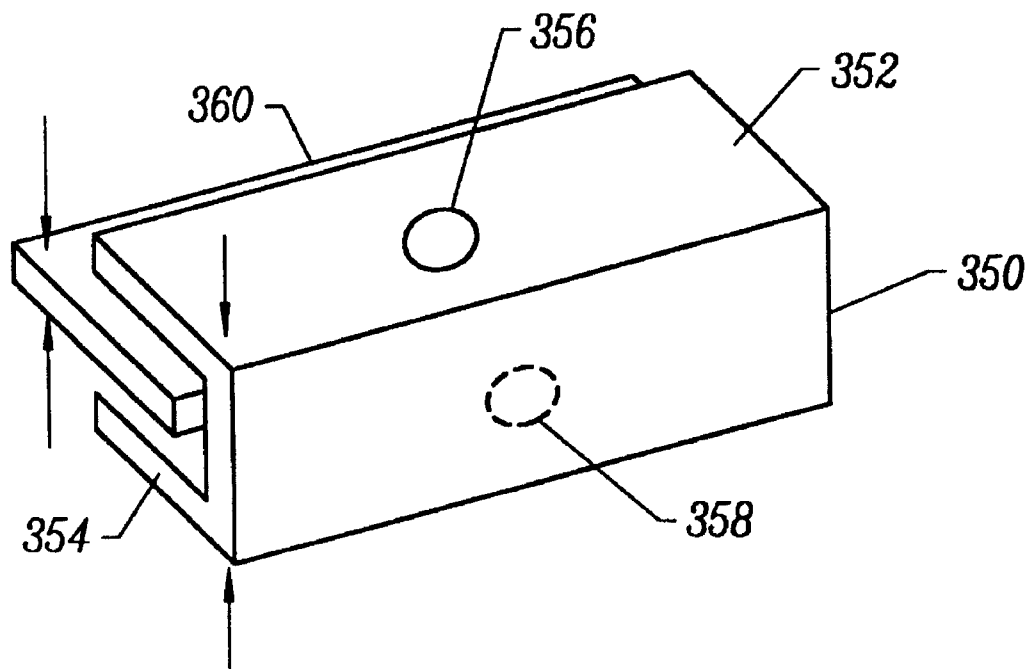


FIG. 16

6,092,896

1

EYE-WEAR WITH MAGNETS**CROSS REFERENCE TO RELATED APPLICATION**

This application is a continuation of Ser. No. 08/963,299 filed Nov. 3, 1997 now U.S. Pat. No. 5,012,811. This is a continuation-in-part of U.S. patent application Ser. No. 08/766,327, now U.S. Pat. No. 5,737,054 filed on Dec. 13, 1996, U.S. patent application Ser. No. 08/847,711, filed on Apr. 28, 1997, and U.S. patent application Ser. No. 08/865,379, now U.S. Pat. No. 5,786,880 filed on May 29, 1997, all incorporated by reference into this specification

BACKGROUND OF THE INVENTION

The present invention relates generally to eye-wear and more particularly to eye-wear using magnets for attachment.

Auxiliary frames with lenses have been used for decades to augment deficiencies in primary frames. For example, the auxiliary frames may be for magnifying purposes, or may transform the primary frames into sunglasses.

For decades, people around the world have been creating numerous ingenious methods to attach the auxiliary frames onto the primary frames. In one line of approaches, the auxiliary frames are clipped onto the lenses of the primary frames. Not only do such clips obstruct the wearer's vision, they may scratch the lenses of the primary frames. To alleviate the defect of view obstruction, there are designs using small clips at the edges of the frames. However, these small clips still create scratches on the lenses and the primary frames; and attaching these auxiliary frames with small clips requires some maneuvering with two hands, and it would not be easy to do so, for example, if one is driving. Also, to detach such an auxiliary frame from its primary frame, one typically have to push down at its bridge and warp the frames outward on both sides of the lenses. It is not uncommon for such actions to permanently deform the auxiliary frame.

Another approach uses two pairs of magnets instead of clips, with one pair on the primary frame and the other on the auxiliary frame. The magnets are located on the plane of the lenses, and are close to the temples of the frames. Since they are on the plane of the lenses, they have to be carefully designed so that they can blend into the general style of the frame, without being too conspicuous. One way is to make the magnets very small. With gravity pulling the auxiliary frame away from its primary frame, the magnets have to be of certain size so as to have sufficient magnetic power to hold the auxiliary frame to the primary frame.

One reason for the magnets to be close to the temples is that the pair of magnets on a frame should be as far apart as possible. This is to ensure the auxiliary frame to be right over the primary frame, not only at the locations close to the bridges of the frames, but also at the locations close to the arms of the frames. However, in order to have sufficient coupling power, the magnets on the auxiliary frame have to match in both locations and orientations to the magnets on the primary frame. This is not an easy task especially because the magnets are typically very small for stylistic reasons.

The further away the pair of magnets are on a frame, the more difficult it is to align them in both locations and orientations to magnets on another frame. First, imagine the magnets in a primary frame are slightly off in locations from those in an auxiliary frame. Since the magnets are quite small, slight misalignment in the locations would signifi-

2

cantly reduce magnetic coupling between the frames. Next, imagine one small magnet in the primary frame is different in orientation from its corresponding magnet in the auxiliary frame. This can happen, for example, if the auxiliary frame has been slightly twisted—the magnitude of the difference is proportional to the distance between the pair of magnets on the frame. Two magnets may not even be able to couple together if they have different orientations. Misalignment in locations or orientations not only adversely affects the coupling power of the auxiliary frame to the primary frame, but also creates an unpleasant outward appearance for the wearer, especially when the auxiliary frame is tilted relative to the primary frame.

It should be apparent from the foregoing that there is a need for improved methods and apparatus to attach auxiliary frames to primary frames so that auxiliary frames can be easily, firmly and elegantly attached to primary frames.

SUMMARY OF THE INVENTION

The present invention provides methods and apparatus to easily, firmly and elegantly attach auxiliary frames to primary frames, based on magnetic members at the bridges of frames. The invention has numerous advantages. For example, it creates a very strong support for attaching auxiliary frames to primary frames, it is relatively easy to manufacture, it is easier to blend into the general design of frames, and it makes the auxiliary frames easily applicable to primary frames even with just one hand.

In one embodiment, the magnet at the auxiliary frame does not couple to the magnet at the primary frame on the plane of the lenses or the frontal plane. Instead, the magnet at the bridge of the auxiliary frame sits on the magnet at the primary frame. Coupling at a different plane, based on the present invention, reduces the difficulty in aligning the auxiliary frame over the primary frame, not only at the locations close to the bridges of the frames, but also at the locations close to the arms of the frames.

With the magnetic members at the bridges, there are many other advantages. The magnets are much less conspicuous than magnets disposed on the plane of lenses, making them easier to design and to blend them into the general style of frames. Gravity, instead of adversely affecting the coupling of the auxiliary frames to the primary frames, helps to keep them together.

Also, even if there are more than one magnet at a bridge, since the bridge is short, the magnets are in close proximity. This reduces the difficulty in aligning the locations and the orientations of the magnets in the auxiliary frame to those in the primary frame. In one embodiment where soldering is required, one only has to solder the bridge to the retaining mechanisms holding the lenses. This requires four soldering steps for both the auxiliary and primary frames: Two for the bridge at the primary frame to the two retaining mechanisms on either end of the bridge, and two for the bridge at the auxiliary frame to its retaining mechanisms. However, if the magnets are at the temples on the arms of the primary frame, one probably has to perform eight soldering steps: Two for the bridge at the primary frame to the two retaining mechanisms, two for the bridge at the auxiliary frame to its two retaining mechanisms, two for the retaining mechanisms to their corresponding arms for the primary frame, and two for the retaining mechanisms to their corresponding short arms for the auxiliary frame. With more soldering required, it is more difficult to match the locations and orientations of magnets.

In one embodiment, before magnets are assembled into the bridges, the bridges of both the primary and the auxiliary

6,092,896

3

frames are made together, in one molding process. In another embodiment, both types of bridges are generated from the same mold before they are connected to their corresponding retaining mechanisms. Such manufacturing processes significantly enhance the matching in locations and orientations of the magnets in the auxiliary frame to those in the primary frame. Moreover, such manufacturing processes enhance the matching in the curvatures of the bridges of the primary frames to the curvatures of the bridges of the auxiliary frames.

Not only is the present invention more elegant, easier to design, easier to manufacture and more secure in attachment than prior art approaches, a person can easily use one hand to attach an auxiliary frame onto a primary frame of the present invention.

In one embodiment, a first frame of an eyeglass device includes a bridge with a magnetic member, and two retaining mechanisms for supporting a pair of lenses. The retaining mechanisms defines a frontal plane, which is the plane of the lenses, or the plane in front of the face of a wearer of the eyeglass device. The bridge connects the two retaining mechanism and holds them together. The magnetic member at the bridge magnetically couples to another magnetic member at the bridge of a second frame. The coupling can occur at a coupling surface on the second frame that is substantially perpendicular to the frontal plane. When coupled, the second frame is attached to the first frame. Due to the location of the coupling, one of the frames is restricted from moving downwards relative to the other frame. The magnetic member at the bridge of the first frame can be a permanent magnet.

In another embodiment, the magnetic member at the bridge of the first frame is in the shape of a cavity so as to receive the second frame's magnetic member, which is in the shape of a protrusion that can fit into the cavity. In yet another embodiment, the magnetic member at the bridge of the first frame comprises two separate parts, with each part being adjacent to one of the retaining mechanisms.

The second frame can be the primary frame, and the first frame can be the auxiliary frame. In one embodiment, the auxiliary frame further includes a flange that extends from the bridge of the frame to further secure the attachment of the auxiliary frame to the primary frame. The flange can generally be in the lateral or in the vertical direction relative to the bridge.

Other aspects and advantages of the present invention will become apparent from the following detailed description, which, when taken in conjunction with the accompanying drawings, illustrates by way of example the principles of the invention.

BRIEF DESCRIPTION OF THE DRAWINGS

FIG. 1 shows the top view of an auxiliary frame and a primary frame in a first embodiment of the present invention.

FIG. 2 shows the front view of the first embodiment.

FIG. 3 shows the top view of the auxiliary frame attached to the primary frame in the first embodiment of the present invention.

FIG. 4 illustrates the bridge angle of the first embodiment of the present invention.

FIG. 5 shows the top view of the auxiliary frame and the primary frame in a second embodiment of the present invention.

FIG. 6 shows the top view of the auxiliary frame attached to the primary frame in the second embodiment of the present invention.

4

FIG. 7 shows the front view of the second embodiment.

FIGS. 8-9A-B show embodiments of the present invention where the bridges include a cavity and a protrusion.

FIGS. 10A-C show an embodiment of the present invention with a hinge at the bridge.

FIG. 11 shows an embodiment of the present invention with the bridge including lateral extensions.

FIGS. 12A-B show an auxiliary frame with lateral extensions attached to a primary frame in the present invention.

FIG. 13 shows an embodiment of the present invention with the bridge including a vertical extension.

FIG. 14 shows an auxiliary frame with a vertical extension attached to a primary frame in the present invention.

FIG. 15 illustrates the bridge angle and the extension angle of the embodiment of the present invention that has a vertical extension at the bridge.

FIG. 16 shows another embodiment of the present invention where the bridge of the auxiliary frame includes a U-shaped structure having two arms.

Same numerals in FIGS. 1-16 are assigned to similar elements in all the figures. Embodiments of the invention are discussed below with reference to FIGS. 1-16. However, those skilled in the art will readily appreciate that the detailed description given herein with respect to these figures is for explanatory purposes as the invention extends beyond these limited embodiments.

DETAILED DESCRIPTION OF THE INVENTION

FIG. 1 shows the top view of an auxiliary frame 102 and a primary frame 104 in a first embodiment 100 of the present invention. In order to better illustrate the present invention, many components are not shown in the figure.

The auxiliary frame 102 includes two retaining mechanisms, 106 and 108, a bridge 112, and a magnetic member 114. The retaining mechanisms support a pair of auxiliary lenses, 105 and 107, and defines a frontal plane 110, which is the plane in front of the face of a wearer of the embodiment 100; The bridge 112 connects the two retaining mechanisms and holds them together. The magnetic member 114 at the bridge 112 of the auxiliary frame 102 magnetically couples to another magnetic member 116 at the bridge 118 of the primary frame 104. In one embodiment, the magnetic member 114 of the auxiliary frame is located in an extension, which extends slightly over and sits on the bridge of the primary frame as shown in FIG. 3. As an example, the width 113 of the extension is about 10 mm. In one embodiment, the surface area of the bridge of the auxiliary frame is more than 28 mm square.

The primary frame 104 also includes two retaining mechanisms, 120 and 122, for supporting a pair of primary lenses, 124 and 126. The bridge 118 at the primary frame 104 connects the two retaining mechanisms, 120 and 122, and holds the two mechanisms together.

FIG. 2 shows the front view of the first embodiment with the auxiliary frame 102 magnetically coupled to the primary frame 104, while FIG. 3 shows the top view. As shown in the figures, due to the location of the magnetic members, when the primary frame 104 is magnetically coupled to the auxiliary frame 102, the auxiliary frame 102 is restricted from moving downwards relative to the primary frame 104. In one embodiment, one frame is restricted from moving downwards means that gravity helps the frame to be attached to the other frame; in another embodiment, one frame is restricted from moving downwards means that

6,092,896

5

friction, due to gravity, helps the frame to be attached to the other frame. The enhancement is better illustrated in FIG. 4. The magnetic coupling of the magnetic members, 114 and 116, occurs at a coupling surface 130 on the primary frame 104. The coupling surface 130 is substantially perpendicular to the frontal plane 110. To be more specific, the angle between the coupling surface 130 and the frontal plane 110 is defined as the bridge angle 132. In one embodiment, the coupling surface 130 being substantially perpendicular to the frontal plane 110 means that the bridge angle 132 is approximately in the range of 135 degrees and 45 degrees. This range can increase with stronger magnets due to the advancement in the magnet technology. In another embodiment, the bridge angle is less than 90 degrees, but more than 45 degrees. In yet another embodiment, the bridge angle is between 90 degrees and 75 degrees.

In one embodiment, when the frames are coupled, the orientation of the coupling surface 130 at the primary frame is similar to the orientation of the auxiliary frame coupling surface 140, as shown in FIG. 4. In another embodiment, the surface of each magnetic member that is for magnetic coupling to another magnetic member is defined as a magnetic coupling surface, such as the surface 115. When the frames are coupled, the orientation of the magnetic coupling surface of the magnetic member 114 at the auxiliary frame is substantially the same as the orientation of the magnetic coupling surface of the magnetic member 116 at the primary frame. Matching the two orientations of the magnetic coupling surfaces enhances magnetic coupling between the two frames.

To further enhance coupling between the two frames, in one embodiment, the magnetic coupling surface of each magnetic member has no bumps, or is smooth. In the present invention, a bump is defined as a small structure on the magnetic coupling surface of a magnetic member that is bigger than 10 microns in any of its lateral dimensions and 10 microns high. Also, bumps are small structures that, due to its minute size, it is easy to randomly dispose more than one hundred of them on the magnetic coupling surface of a magnet.

In yet another embodiment, one of the magnetic members slightly protrudes from its coupling surface to ensure that, when the frames are attached together, the two magnetic members are in contact, instead of other areas at the coupling surfaces in contact. Again this enhances attachment of the two frames.

In a further embodiment, at least one of the magnetic members slightly recedes from its coupling surface, for example by ten microns. The receding prevents the magnetic members from touching each other when frames are coupled together. In one class of permanent magnets, if they are exposed to the atmosphere, corrosion can occur. To prevent corrosion, after the magnets are assembled into their corresponding bridges, the surfaces of the magnets exposed to the atmosphere are plated. Every time when the frames are coupled, if their corresponding magnetic members touch, as time goes by, the plating might be chipped, exposing the underlying magnets. This embodiment reduces the chance of corrosion by slightly receding at least one magnetic member from the coupling surface so that even with plating, the plated magnetic surfaces would not be in contact when the frames are coupled together. Then when frames are coupled, the magnetic members would be magnetically coupled, but not mechanically coupled, with other parts on the coupling surfaces mechanically coupled together.

If the auxiliary lenses are shades so that the first embodiment 100 acts as sunglasses, preferably, sun rays should be

6

prevented from entering into the gap between the primary lenses and the secondary lenses. Due to the location of the magnetic members, the intrusion of sun rays in between the primary and the auxiliary frames is substantially reduced.

In the present invention, a magnetic member can be a permanent magnet or a magnetizable element, such as iron or magnetizable stainless steel. In one embodiment, a part is magnetizable if it can be attracted by a magnet. For magnetic coupling, at least one of the magnetic members is a permanent magnet. If both members are permanent magnets, but of opposite polarity at the coupling surface 130, the strength in magnetic coupling will be stronger.

FIG. 5 shows the top view of the primary frame 150 and the auxiliary frame 165 in a second embodiment 180 of the present invention. In this embodiment, the magnetic member at the bridge 152 of the primary frame 150 includes two separate parts, 154 and 156, with each part being adjacent to one of the retaining mechanisms; for example, the magnetic member part 154 can be adjacent to the retaining mechanism 158, and the magnetic member part 156 can be adjacent to the retaining mechanism 160. This enablement is applicable to bridges that are curved, as shown in FIG. 7. FIG. 6 shows the top view of the auxiliary frame 165 attached to the primary frame 150 in the second embodiment of the present invention. FIG. 7 shows the front view of this second embodiment 180.

In one embodiment, when coupled, the orientation of the magnetic members 174 and 176 at the auxiliary frame coupling surface is substantially the same as the orientation of the magnetic members 154 and 156 at the primary frame coupling surface, as in the first embodiment. Matching the orientations of the magnetic members enhances magnetic coupling between the two frames. In yet another embodiment, one set of the magnetic members slightly protrudes from their corresponding coupling surface to ensure that, when the frames are attached together, the magnetic members are in contact, instead of other areas at the coupling surfaces in contact. The set that protrudes can be both members from one frame, or one member from the auxiliary frame with the member not directly opposite to that member from the primary frame. The amount of protrusions from the two members should be substantially the same. Again this enhances attachment of the two frames. It is much easier to match the orientations of the magnetic members when they are located at the bridges, instead of much further apart on the frames, especially when typically frames are artistically curved, fitting the circumferential profile of a typical face.

Although the present invention has only illustrated a magnetic member with only one or two parts, it should be clear that a magnetic member can have more than two parts.

FIGS. 8-9A-B show embodiments of the present invention where the bridges include a cavity and a protrusion. FIG. 8 shows the top view of the bridge 200 of a primary frame, with a magnetic cavity member 202. In this example, the cavity is a ring, with the magnetic member lining the walls of the ring. However, in other examples, the cavity can be a square or of other shapes. FIG. 9A shows the front view of the bridge 204, with a magnetic protrusion member 206 that fits into the magnetic cavity member 202. The protrusion and the cavity further enhance the security of attachment of the auxiliary frame into the primary frame. In one embodiment, the wall of the ring 202 is a permanent magnet, while the protrusion is a magnetizable element 206, or vice versa. When coupled, at least a part of the protrusion fits into the cavity. In another embodiment, both the cavity walls and

6,092,896

7

the protrusion are permanent magnets of opposite polarity. FIG. 9B shows another embodiment of the front view of the bridges with a cavity and a protrusion. In this embodiment, the magnetizable member is located at the distal part 210 of the protrusion 212, and at the bottom 214 of the cavity 216; the cavity does not go all the way through the bridge 218. Different combinations are applicable. For example, the cavity 216 is a magnetizable member, and the protrusion 212, not just its distal end, is a permanent magnet. In another example, a permanent magnet 214 sits at the bottom of the cavity 216, while the protrusion 212 is a magnetizable member.

In yet another embodiment, both the cavity walls and the protrusion are in the first or in the second embodiments. The protrusion and the cavity further improve the security in the attachment of the auxiliary frame to the primary frame. In this embodiment, again, the cavity can be similar to the cavity shown in FIG. 9B, where it does not have to go all the way through the bridge.

In one embodiment, the primary frame includes one or more magnetizable member, and the auxiliary frame includes one or more permanent magnets. The magnetic members are located as in either the first or the second embodiments. The bridge at the primary frame further includes a cavity to receive a protrusion located at the bridge of the auxiliary frame. The magnetic members with the protrusion and the cavity are located at the bridges, but are distributed apart for maximum mechanical strengths. For example, the magnetic members can be located as in the second embodiment with the cavity and the protrusion located at the center of the bridges, as in FIG. 9. As an example, the protrusion is made of nickel-silver, stainless steel or titanium, and is a rod that is about 1 mm long and about 1.5 mm in diameter.

FIGS. 10A–C show an embodiment 250 of an auxiliary frame of the present invention with a hinge 251 at the bridge 253. FIG. 10A shows the top view of the auxiliary frame with a primary frame; FIGS. 10B–C show the front view and the top view of the auxiliary frame attached to the primary frame. One benefit of having a hinge is that the frame can be folded, which will save storage space for the auxiliary frame.

FIG. 11 shows an embodiment 260 of an auxiliary frame of the present invention with the bridge including a flange that extends from the bridge of the frame to further secure the attachment of the auxiliary frame to a primary frame. This flange enhances attachment between the primary and the auxiliary frames, and can reduce the gap between the two frames. In FIG. 11, the flange includes two lateral extending parts, 261 and 263, each extending laterally from one end of the bridge 265.

FIGS. 12A–B show the front view and the top view of the auxiliary frame with lateral extensions attached to a primary frame 275 in the present invention. When the auxiliary frame is attached to the primary frame, a portion of each retaining mechanism of the primary frame, such as the portion 277, is disposed between a portion of the retaining mechanism of the auxiliary frame and a portion of one lateral extension. The extensions further restrict the separation of the auxiliary frame from the primary frame after their attachment. Note that the auxiliary frame can still be easily attached to the primary frame with one hand even with the extensions. To prevent intrusion into the wearer's vision, the extensions are relatively short. In one embodiment, the length 281 of an extension is about 1 mm, and its thickness is the thickness of the bridge.

8

FIG. 13 shows an embodiment of an auxiliary frame 300 of the present invention where the flange 302 is vertical relative to the bridge. For such a flange when the auxiliary frame 300 is attached to a primary frame, the bridge of the primary frame is disposed between frontal plane and the flange, as shown in FIG. 14. Again, the vertical flange further restricts the separation of the auxiliary frame from the primary frame after their attachment. Also the auxiliary frame can still be easily attached to the primary frame with one hand even with the vertical extension. In one embodiment, the length 304 of the extension 302 is about 1.5 mm, and its thickness is the thickness of the bridge.

The width 306 of the bridge of the auxiliary frame can be wider than the width 308 of the bridge of the primary frame. As an example, with the vertical flange, when the auxiliary frame is attached to the primary frame, there can be a gap 310 between the extension and the bridge of the primary frame, as shown in FIG. 15. In one embodiment, the gap is about 1 mm.

FIG. 15 also illustrates the bridge angle 314 and an extension angle 312 of the embodiment of the present invention that has a vertical extension at the bridge. In one embodiment, with the vertical flange, the bridge angle 314 is between about 30 degrees and 150 degrees. The extension angle 312 is defined as the angle between the vertical flange 302 and the bridge 314. In one embodiment, the extension angle is between 45 degrees and 135 degrees.

FIG. 16 shows the bridges of yet another embodiment of the present invention where the bridge of the auxiliary frame includes a U-shaped structure 350 having two arms, 352 and 354, one on top and one on the bottom of the bridge 360 of the primary frame. In one embodiment, the magnetic member at the auxiliary frame includes two separate parts, with each part located at each arm of the U-shaped structure; for example, the member 358 at the arm 354, and the member 356 at the arm 352. Note that the members 356 and 358, each can further include more than one portion, as in the second embodiment. In another embodiment, the bottom arm 354 does not include any magnetic member. In yet another embodiment, the bridge 360 of the primary frame also includes its magnetic member, disposed at a location with the correct polarity with respect to the magnetic member of the auxiliary frame.

In the embodiment shown in FIG. 16, when the auxiliary frame is attached to the primary frame, the bridge 360 of the primary frame is sandwiched between the arms of the U-shaped structure 350. Typically, due to gravity, the magnetic member 356 at the top arm 352 of the auxiliary frame is magnetically coupled to the bridge of the primary frame, with a gap between the bottom arm and the bridge of the primary frame. As an example, the bridge of the primary frame is steel, with a thickness of about 1 mm, and the thickness of the U-shaped bridge is about 4 mm.

In one embodiment, each magnet is held in its corresponding frame by a housing, which is the immediate area of the frame encapsulating a part, typically a significant part, of the magnet. The size of each magnet is slightly larger than the housing holding it. Each magnet is incorporated into its housing on the frame through pressure insertion. To keep the magnet in its housing, the magnet is slightly larger than its housing. In one embodiment, at least in one lateral dimension, or one of the dimensions a housing holding its magnet, such as the diameter of a round magnet, slightly larger means that the difference in size between the magnet and the housing is between 5 microns and 180 microns.

In another embodiment, the edges of the magnetic coupling surface of each magnet are chamfered to remove any

sharp corners. If magnets are plated after they have been installed into their respective housings, chamfering the edges improves step coverage in plating. In other words, plating on a magnet can be more smooth at the intersection between the magnet and its housing through chamfering. Also, chamfering replaces sharp corners with sloping corners. If a magnet is installed into its housing through pressure insertion, the slopping comers guide the magnet into its housing. One way to chamfer is by buffing.

Magnets used in this invention are selected to have sufficient magnetic power to couple the frames together. In one embodiment, the magnetic field strength of each magnet is between 2500 and 3500 gauss; in another, the field strength is more than 2500 gauss, but less than 6000 gauss. In one embodiment, each magnet has a magnetic coupling surface of more than 14 mm square and a thickness of more than 1 mm. In another embodiment, each magnet has a magnetic coupling surface of at least 14 mm square and a thickness of more than 2 mm. In yet another embodiment, each magnet has a magnetic coupling surface of at least 28 mm square and a thickness of more than 1 mm.

Different embodiments in the present invention can be combined in different ways. For example, the vertical flange can be combined with the lateral flanges. The hinge can be combined with the lateral flanges. Also, it should be obvious to those skilled in the art the methods to build each embodiment. This specification will not further describe different fabrication techniques.

Note that the different types of bridges as described, individually, is a different embodiment of the present invention. Also, different types of auxiliary frames and different forms of primary frames, individually, is also a different embodiment of the present invention.

Other embodiments of the invention will be apparent to those skilled in the art from a consideration of this specification or practice of the invention disclosed herein. It is intended that the specification and examples be considered as exemplary only, with the true scope and spirit of the invention being indicated by the following claims.

What is claimed is:

1. An eyeglass device comprising:

a first frame including two retaining mechanisms for supporting a pair of lenses, and defining a frontal plane, a bridge connecting the two retaining mechanisms and holding the two retaining mechanisms together, and a magnetic member at the bridge for magnetically coupling to another magnetic member at the bridge of a second frame;

wherein:

the bridge of the first frame includes a cavity to receive a protrusion at the bridge of the second frame so as to further secure the attachment of the two frames when coupled; and

when the two frames are secured together, due to the locations of the magnetic members, one of the frames is restricted from moving downwards relative to the other frame.

2. An eyeglass device as recited in claim 1, wherein: the magnetic member at the bridge of the first frame is in the cavity; and the second frame's magnetic member is at least a part of the protrusion.

3. An eyeglass device as recited in claim 1 wherein: the first frame is an auxiliary frame to be coupled to the second frame, which is a primary frame; and

the magnetic member at the auxiliary frame is a permanent magnet to be coupled to the second frame's magnetic member, which is a magnetizable member.

4. An eyeglass device comprising:

a bridge configured to connect two retaining mechanism and hold them together, with the two mechanisms for supporting a pair of lenses of a first frame and defining a frontal plane; and

a magnetic member at the bridge for magnetically coupling to another magnetic member at the bridge of a second frame;

wherein the bridge of the first frame includes a cavity to receive a protrusion at the bridge of the second frame so as to further secure the attachment of the two frames when coupled;

such that when the two frames are secured together, due to the location of the magnetic members, one of the frames is restricted from moving downwards relative to the other frame.

5. An eyeglass device as recited in claim 4 wherein: the magnetic member at the bridge of the first frame is in the cavity; and

the magnetic member at the bridge of the second frame is at least a part of the protrusion.

6. An eyeglass device as recited in claim 4 wherein: the first frame is an auxiliary frame to be coupled to the second frame, which is a primary frame; and

the magnetic member at the auxiliary frame is a permanent magnet to be coupled to the second frame's magnetic member, which is a magnetizable member.

7. An eyeglass device as recited in claim 4 wherein: the bridge of the auxiliary frame further includes a flange that extends from the bridge of the frame to further secure the attachment of the auxiliary frame to the primary frame; and

the flange includes a vertical extension, extending vertically from the bridge;

such that when the two frames are secured together, the bridge of the primary frame is disposed between frontal plane and at least a portion of the extension.

8. An eyeglass device comprising:

an auxiliary frame including two retaining mechanisms for supporting a pair of lenses, and defining a frontal plane, a bridge connecting the two retaining mechanisms and holding them together, and a magnetic member at the bridge; and

a primary frame including two retaining mechanisms for supporting a pair of lenses,

a bridge connecting the two retaining mechanisms and holding them together, and

a magnetic member at the bridge for magnetically coupling to the magnetic member at the bridge of the auxiliary frame;

wherein the bridge of the first frame includes a cavity to receive a protrusion at the bridge of the second frame so as to further secure the attachment of the two frames when coupled;

such that when the two frames are secured together, due to the location of the magnetic members, the auxiliary frame is restricted from moving downwards relative to the primary frame.

9. An eyeglass device as recited in claim 8 wherein the magnetic member at the bridge of the auxiliary frame is a permanent magnet.

11

10. An eyeglass device as recited in claim 8 wherein:
the bridge of the auxiliary frame further includes a flange
that extends from the bridge of the frame to further
secure the attachment of the auxiliary frame to the
primary frame; and
the flange includes a vertical extension, extending verti-
cally from the bridge;
such that when the two frames are secured together, the
bridge of the primary frame is disposed between frontal
plane and at least a portion of the extension.

11. An eyeglass device comprising:
a primary frame including
two retaining mechanisms for supporting a pair of
lenses, and defining a frontal plane,
a bridge connecting the two retaining mechanisms, and
holding them together, and
a first magnetic member at the bridge for magnetically
coupling to a second magnetic member at the bridge
of an auxiliary frame;
wherein the bridge of the primary frame includes a cavity
to receive a protrusion at the bridge of the auxiliary
frame so as to further secure the attachment of the two
frames when coupled;
such that when the two frames are secured together, due
to the location of the magnetic members, the auxiliary
frame is restricted from moving downwards relative to
the primary frame.

12. An eyeglass device as recited in claim 11, wherein:
the bridge of the auxiliary frame further includes a flange
that extends from the bridge of the frame to further
secure the attachment of the auxiliary frame to the
primary frame;
the flange includes a vertical extension, extending verti-
cally from the bridge;
such that when the two frames are secured together, the
bridge of the primary frame is disposed between frontal
plane and at least a portion of the extension.

13. An eyeglass device comprising:
a bridge configured to connect two retaining mechanism
and hold them together, with the two mechanisms for
supporting a pair of lenses of a first frame and defining
a frontal plane; and
a magnetic member at the bridge for magnetically cou-
pling to at least a part of the bridge of a second frame,
so as to attach the two frames together;
wherein:
the magnetic member at the bridge of the first frame is
enclosed by the bridge at least from the front to
prevent the magnetic member from being visible
from the front when the frame is being worn; and
when the two frames are secured together, the magnetic
member is coupled to the bridge of the second frame
at a surface not parallel to the frontal plane.

14. An eyeglass device as recited in claim 13, wherein
when the two frames are secured together, the magnetic
member is coupled to the bridge of the second frame
horizontally.

12

15. An eyeglass device comprising:
a first frame including
two retaining mechanisms for supporting a pair of
lenses, and defining a frontal plane,
a bridge connecting the two retaining mechanisms and
holding the two retaining mechanisms together, and
a magnetic member at the bridge for magnetically
coupling to at least a part of the bridge of a second
frame, so as to attach the two frames together;
wherein:
the magnetic member at the bridge of the first frame is
enclosed by the bridge at least from the front to
prevent the magnetic member from being visible
from the front when the frame is being worn; and
when the two frames are secured together, the magnetic
member is coupled to the bridge of the second frame
at a surface not parallel to the frontal plane.

16. An eyeglass device as recited in claim 15, wherein:
the bridge of the second frame also includes a magnetic
member; and
when the two frames are secured together, the two mag-
netic members are coupled horizontally.

17. An eyeglass device as recited in claim 15 wherein the
first frame is an auxiliary frame to be coupled to the second
frame, which is a primary frame.

18. An eyeglass device as recited in claim 15 wherein the
first frame is a primary frame to be coupled to the second
frame, which is an auxiliary frame.

19. An eyeglass device comprising:
a first frame including
two retaining mechanisms for supporting a pair of
lenses, and defining a frontal plane,
a bridge connecting the two retaining mechanisms and
holding the two retaining mechanisms together, and
a magnetic member at the bridge for magnetically
coupling to at least a portion of the bridge of a
second frame; such that:
when the two frames are secured together, the mag-
netic member is coupled to the bridge of the
second frame at a surface not parallel to the frontal
plane; and
due to the location of the magnetic member with
respect to the bridge of the second frame, one of
the frames is restricted from moving downwards
relative to the other frame.

20. An eyeglass device as recited in claim 19, wherein:
the bridge of the second frame also includes a magnetic
member; and
when the two frames are secured together, the two mag-
netic members are coupled horizontally.

21. An eyeglass device as recited in claim 19 wherein the
first frame is an auxiliary frame to be coupled to the second
frame, which is a primary frame.

22. An eyeglass device as recited in claim 19 wherein the
first frame is a primary frame to be coupled to the second
frame, which is an auxiliary frame.

* * * * *

JS 44 (Rev. 12/07)

CIVIL COVER SHEET

The JS 44 civil cover sheet and the information contained herein neither replace nor supplement the filing and service of pleadings or other papers as required by law, except as provided by local rules of court. This form, approved by the Judicial Conference of the United States in September 1974, is required for the use of the Clerk of Court for the purpose of initiating the civil docket sheet. (SEE INSTRUCTIONS ON THE REVERSE OF THE FORM.)

<p>I. (a) PLAINTIFFS</p> <p>Aspex Eyewear, Inc. and Contour Optik, Inc.</p> <p>(b) County of Residence of First Listed Plaintiff <u>Broward</u> (EXCEPT IN U.S. PLAINTIFF CASES)</p> <p>(c) Attorney's (Firm Name, Address, and Telephone Number) Mrejen Blinderman P.L. One Cypress Place, 701 West Cypress Creek Rd. Fort Lauderdale, FL 33309 Tel 954 771-3740</p>	<p>DEFENDANTS</p> <p>Levente Tibor Laczay d/b/a Zenni Optical</p> <p>County of Residence of First Listed Defendant <u>California</u> (IN U.S. PLAINTIFF CASES ONLY)</p> <p>NOTE: IN LAND CONDEMNATION CASES, USE THE LOCATION OF THE LAND INVOLVED.</p> <p>Attorneys (If Known) <i>0:09CV60488-26ch-RSR</i></p>
--	--

II. BASIS OF JURISDICTION (Place an "X" in One Box Only)

1 U.S. Government Plaintiff

3 Federal Question (U.S. Government Not a Party)

2 U.S. Government Defendant

4 Diversity (Indicate Citizenship of Parties in Item III)

Action arose in Broward County

III. CITIZENSHIP OF PRINCIPAL PARTIES (Place an "X" in One Box for Plaintiff and One Box for Defendant)

	PTF	DEF		PTF	DEF
Citizen of This State	<input type="checkbox"/> 1	<input type="checkbox"/> 1	Incorporated or Principal Place of Business In This State	<input type="checkbox"/> 4	<input type="checkbox"/> 4
Citizen of Another State	<input type="checkbox"/> 2	<input type="checkbox"/> 2	Incorporated and Principal Place of Business In Another State	<input type="checkbox"/> 5	<input type="checkbox"/> 5
Citizen or Subject of a Foreign Country	<input type="checkbox"/> 3	<input type="checkbox"/> 3	Foreign Nation	<input type="checkbox"/> 6	<input type="checkbox"/> 6

IV. NATURE OF SUIT (Place an "X" in One Box Only)

CONTRACT	TORTS	FORFEITURE/PENALTY	BANKRUPTCY	OTHER STATUTES
<input type="checkbox"/> 110 Insurance <input type="checkbox"/> 120 Marine <input type="checkbox"/> 130 Miller Act <input type="checkbox"/> 140 Negotiable Instrument <input type="checkbox"/> 150 Recovery of Overpayment & Enforcement of Judgment <input type="checkbox"/> 151 Medicare Act <input type="checkbox"/> 152 Recovery of Defaulted Student Loans (Excl. Veterans) <input type="checkbox"/> 153 Recovery of Overpayment of Veteran's Benefits <input type="checkbox"/> 160 Stockholders' Suits <input type="checkbox"/> 190 Other Contract <input type="checkbox"/> 195 Contract Product Liability <input type="checkbox"/> 196 Franchise	PERSONAL INJURY <input type="checkbox"/> 310 Airplane <input type="checkbox"/> 315 Airplane Product Liability <input type="checkbox"/> 320 Assault, Libel & Slander <input type="checkbox"/> 330 Federal Employers' Liability <input type="checkbox"/> 340 Marine <input type="checkbox"/> 345 Marine Product Liability <input type="checkbox"/> 350 Motor Vehicle <input type="checkbox"/> 355 Motor Vehicle Product Liability <input type="checkbox"/> 360 Other Personal Injury	PERSONAL INJURY <input type="checkbox"/> 362 Personal Injury - Med. Malpractice <input type="checkbox"/> 365 Personal Injury - Product Liability <input type="checkbox"/> 368 Asbestos Personal Injury Product Liability PERSONAL PROPERTY <input type="checkbox"/> 370 Other Fraud <input type="checkbox"/> 371 Truth in Lending <input type="checkbox"/> 380 Other Personal Property Damage <input type="checkbox"/> 385 Property Damage Product Liability	<input type="checkbox"/> 422 Appeal 28 USC 158 <input type="checkbox"/> 423 Withdrawal 28 USC 157 PROPERTY RIGHTS <input type="checkbox"/> 820 Copyrights <input checked="" type="checkbox"/> 830 Patent <input type="checkbox"/> 840 Trademark	<input type="checkbox"/> 400 State Reapportionment <input type="checkbox"/> 410 Antitrust <input type="checkbox"/> 430 Banks and Banking <input type="checkbox"/> 450 Commerce <input type="checkbox"/> 460 Deportation <input type="checkbox"/> 470 Racketeer Influenced and Corrupt Organizations <input type="checkbox"/> 480 Consumer Credit <input type="checkbox"/> 490 Cable/Sat TV <input type="checkbox"/> 810 Selective Service <input type="checkbox"/> 850 Securities/Commodities/Exchange <input type="checkbox"/> 875 Customer Challenge 12 USC 3410 <input type="checkbox"/> 890 Other Statutory Actions <input type="checkbox"/> 891 Agricultural Acts <input type="checkbox"/> 892 Economic Stabilization Act <input type="checkbox"/> 893 Environmental Matters <input type="checkbox"/> 894 Energy Allocation Act <input type="checkbox"/> 895 Freedom of Information Act <input type="checkbox"/> 900 Appeal of Fee Determination Under Equal Access to Justice <input type="checkbox"/> 950 Constitutionality of State Statutes
REAL PROPERTY	CIVIL RIGHTS	PRISONER PETITIONS	LABOR	FEDERAL TAX SUITS
<input type="checkbox"/> 210 Land Condemnation <input type="checkbox"/> 220 Foreclosure <input type="checkbox"/> 230 Rent Lease & Ejectment <input type="checkbox"/> 240 Torts to Land <input type="checkbox"/> 245 Tort Product Liability <input type="checkbox"/> 290 All Other Real Property	<input type="checkbox"/> 441 Voting <input type="checkbox"/> 442 Employment <input type="checkbox"/> 443 Housing/Accommodations <input type="checkbox"/> 444 Welfare <input type="checkbox"/> 445 Amer. w/Disabilities - Employment <input type="checkbox"/> 446 Amer. w/Disabilities - Other <input type="checkbox"/> 440 Other Civil Rights	<input type="checkbox"/> 510 Motions to Vacate Sentence Habeas Corpus: <input type="checkbox"/> 530 General <input type="checkbox"/> 535 Death Penalty <input type="checkbox"/> 540 Mandamus & Other <input type="checkbox"/> 550 Civil Rights <input type="checkbox"/> 555 Prison Condition	<input type="checkbox"/> 710 Fair Labor Standards Act <input type="checkbox"/> 720 Labor/Mgmt. Relations <input type="checkbox"/> 730 Labor/Mgmt. Reporting & Disclosure Act <input type="checkbox"/> 740 Railway Labor Act <input type="checkbox"/> 790 Other Labor Litigation <input type="checkbox"/> 791 Empl. Ret. Inc. Security Act	<input type="checkbox"/> 861 HIA (1395ff) <input type="checkbox"/> 862 Black Lung (923) <input type="checkbox"/> 863 DIWC/DIWW (405(g)) <input type="checkbox"/> 864 SSID Title XVI <input type="checkbox"/> 865 RSI (405(g)) <input type="checkbox"/> 870 Taxes (U.S. Plaintiff or Defendant) <input type="checkbox"/> 871 IRS—Third Party 26 USC 7609
IMMIGRATION	<input type="checkbox"/> 462 Naturalization Application <input type="checkbox"/> 463 Habeas Corpus - Alien Detainee <input type="checkbox"/> 465 Other Immigration Actions			

V. ORIGIN (Place an "X" in One Box Only)

1 Original Proceeding

2 Removed from State Court

3 Remanded from Appellate Court

4 Reinstated or Reopened

5 Transferred from another district (specify)

6 Multidistrict Litigation

7 Appeal to District Judge from Magistrate Judgment

VI. CAUSE OF ACTION

Cite the U.S. Civil Statute under which you are filing (Do not cite jurisdictional statutes unless diversity):
35 U.S.C. §§ 1, et seq.

Brief description of cause:
Patent infringement action.

VII. REQUESTED IN COMPLAINT:

CHECK IF THIS IS A CLASS ACTION UNDER F.R.C.P. 23

DEMAND \$ _____

CHECK YES only if demanded in complaint:
JURY DEMAND: Yes No

VIII. RELATED CASE(S) IF ANY (See instructions):

JUDGE _____ DOCKET NUMBER _____

DATE 3/26/09 SIGNATURE OF ATTORNEY OR RECORD *A. M. [Signature]*

FOR OFFICE USE ONLY

RECEIPT # _____ AMOUNT 350.00 APPLYING IFP _____ JUDGE _____ MAG. JUDGE _____

345895