

United States District Court
Southern District of Texas
FILED

DEC 02 2008

Michael N. Milby, Clerk

IN THE UNITED STATES DISTRICT COURT
FOR THE SOUTHERN DISTRICT OF TEXAS
HOUSTON DIVISION

PLATEPASS, L.L.C.

Plaintiff,

vs.

HIGHWAY TOLL ADMINISTRATION,
L.L.C.

Defendant.

§
§
§
§
§
§
§
§
§
§

Case No. **H-08 - 3531**

JURY TRIAL DEMANDED

COMPLAINT FOR PATENT INFRINGEMENT

Plaintiff, PlatePass, L.L.C.. (“PlatePass”), brings this action against Highway Toll Administration L.L.C. (“HTA”), and alleges:

THE PARTIES

1. PlatePass is a corporation organized and existing under the laws of the State of Delaware.

2. On information and belief, HTA is a corporation organized and existing under the laws of the State of New York, and may be served through its President, David J. Centner, Highway Toll Administration, LLC, 178 Overlook Avenue, Great Neck, NY 11021. HTA is doing business in this judicial district, in Texas and elsewhere in the United States.

JURISDICTION AND VENUE

3. This is an action for patent infringement arising under the provisions of the Patent Laws of the United States of America, Title 35, United States Code.

4. Subject-matter jurisdiction over PlatePass’s claims is conferred upon this Court by 28 U.S.C. §§ 1331 and 1338(a).

5. On information and belief, HTA has solicited business in the State of Texas, transacted business within the State of Texas and attempted to derive financial benefit from residents of the State of Texas, including benefits directly related to the instant patent infringement cause of action set forth herein.

6. On information and belief, HTA has placed its products and services into the stream of commerce throughout the United States and is actively engaged in transacting business in Texas and in the Southern District of Texas.

7. HTA, alone or in conjunction with others, has committed acts of infringement in this District, and is subject to personal jurisdiction in this District.

8. Venue is proper in this judicial district under 28 U.S.C. §§ 1391(c) and (d) and 1400(b).

PATENT INFRINGEMENT

9. On October 3, 2000, U.S. Patent No. 6,127,938 (“the ‘938 patent”), entitled “Adjustable Shield for Vehicle Mounted Toll Collection Identifier,” a copy of which is attached hereto as Exhibit A, was duly and legally issued to the inventor, Soloman Friedman. Mr. Friedman assigned all right, title and interest in the ‘938 patent to Privacy Shield, L.L.C., which in turn assigned all right, title and interest in the ‘938 patent to PlatePass, including the right to sue for and recover all past, present and future damages for infringement of the ‘938 patent.

10. Upon information and belief, HTA, alone or in conjunction with others, has in the past and continues to infringe, contribute to infringement, and/or induce infringement of the ‘938 patent by making, using, selling and/or offering to sell, and/or causing others to use, in this judicial district and elsewhere in the United States, products and services, which in combination with other

devices and systems, and in use, are covered by at least one claim of the '938 patent. HTA is liable for infringement of the '938 patent pursuant to 35 U.S.C. § 271.

11. Prior to April 2007, HTA purchased 35,000 patented devices from Privacy Shield L.L.C. ("PSL"). Upon information and belief, these devices were installed and operated in the Avis Budget Group, Inc. ("ABG") fleet. During this time period, PSL and HTA had a series of discussions about licensing or purchasing the '938 patent. Those discussions were not successful. PSL ceased supplying HTA with patented devices by April 2007.

12. In April 2007, ATS acquired the '938 patent from PSL. ATS's acquisition of the '938 patent was common knowledge in the toll industry.

13. Subsequently, upon information and belief, HTA equipped over 15,000 ABG vehicles with infringing devices. Initially, the infringing devices installed in the ABG vehicles looked virtually identical to the patented devices, the only exceptions being paint and the lack of the patent number.

14. In the fall of 2007, PlatePass told ABG that infringing devices were being installed in ABG's fleet. ABG stated that all infringing devices would be removed within days. Upon information and belief, the initial infringing devices are still installed in ABG vehicles.

15. HTA has installed additional modified devices that also infringe the '938 patent. Recognizing its ongoing infringement, HTA has continued its attempts to obtain a license for the '938 patent from the inventor, Solomon Friedman.

16. On information and belief, the infringement of the '938 patent by HTA has been with notice and knowledge of the '938 patent and has been willful and deliberate.

17. HTA's acts of infringement have caused damage to PlatePass, and PlatePass is entitled to recover from HTA the damages sustained by PlatePass as a result of HTA's wrongful acts in an amount subject to proof at trial.

18. As a consequence of the infringement complained of herein, PlatePass has been irreparably damaged to an extent not yet determined and will continue to be irreparably damaged by such acts in the future unless HTA is enjoined by this Court from committing further acts of infringement.

PRAYER FOR RELIEF

WHEREFORE, PlatePass prays for entry of judgment that:

A. HTA has infringed, contributed to infringement and/or induced infringement of the '938 patent;

B. The infringement, contributory infringement and/or induced infringement of the '938 patent by HTA has been willful and deliberate;

C. HTA account for and pay to PlatePass all damages caused by its infringement of the '938 patent, and that the Court increase the amount of damages as a result of the infringement by HTA to three times the amount found or assessed by the Court because of the willful and deliberate nature of the infringement, all in accordance with 35 U.S.C. § 284;

D. PlatePass be granted permanent injunctive relief pursuant to 35 U.S.C. § 283 enjoining HTA, its officers, agents, servants, employees and those persons in active concert or participation with it from further acts of patent infringement;

E. PlatePass be granted pre-judgment and post-judgment interest on the damages caused to it by reason of HTA's patent infringement;

F. The Court declare this an exceptional case and that PlatePass be granted its reasonable attorneys' fees in accordance with 35 U.S.C. § 285;

G. Costs be awarded to PlatePass; and,

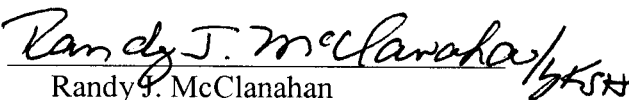
H. PlatePass be granted such other and further relief as the Court may deem just and proper under the circumstances.

DEMAND FOR JURY TRIAL

PlatePass demands trial by jury on all claims and issues so triable.

Respectfully submitted,

Dated: December 2, 2008

By: 

Randy J. McClanahan
State Bar No. 13391500
randy@mmellp.com

Robert H. Espey, II
State Bar No. 24007163
bob@mmellp.com

Michael D. Myers
State Bar No. 00791331
mike@mmellp.com

MCCLANAHAN MYERS ESPEY, L.L.P.
700 Louisiana, Suite 4100
Houston, Texas 77002
Telephone: (713) 223-2005
Facsimile: (713) 223-3664

Attorneys for Plaintiff



US006127938A

United States Patent [19]

Friedman

[11] **Patent Number:** **6,127,938**

[45] **Date of Patent:** **Oct. 3, 2000**

- [54] **ADJUSTABLE SHIELD FOR VEHICLE MOUNTED TOLL COLLECTION IDENTIFIER**
- [75] Inventor: **Solomon Friedman, Brooklyn, N.Y.**
- [73] Assignee: **Privacy Shield L.L.C., Brooklyn, N.Y.**
- [21] Appl. No.: **09/268,133**
- [22] Filed: **Feb. 12, 1999**
- [51] Int. Cl.⁷ **G08B 23/00**
- [52] U.S. Cl. **340/693.6; 340/904; 340/933; 340/905; 340/825.34; 340/825.54; 342/44; 206/720**
- [58] Field of Search **340/693.6, 825.54, 340/933, 904, 905, 825.34; 342/44; 206/720**

5,097,885	3/1992	Kitagawa	160/84.01
5,097,949	3/1992	Heldwein	206/720
5,196,846	3/1993	Brockelsby et al.	340/10.51
5,310,999	5/1994	Claus et al.	235/384
5,483,423	1/1996	Lewis et al.	361/816
5,485,520	1/1996	Chaum et al.	705/74
5,530,702	6/1996	Palmer et al.	370/445
5,557,279	9/1996	D'Hont	342/42
5,565,857	10/1996	Lee	340/825.34
5,602,919	2/1997	Hurta et al.	705/65
5,677,511	10/1997	Taylor et al.	174/52.2
5,726,867	3/1998	Zarrei	361/818
5,734,343	3/1998	Urbish et al.	340/942
5,761,054	6/1998	Kuhn	361/818
5,767,789	6/1998	Afzali-Ardakani et al.	340/10.1

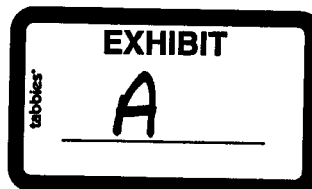
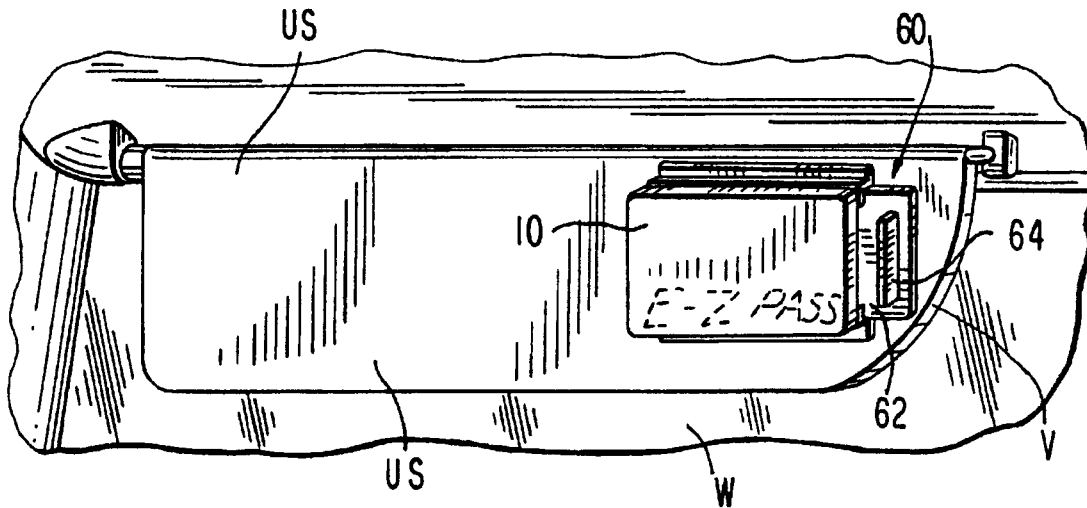
Primary Examiner—Benjamin C. Lee
Attorney, Agent, or Firm—Abelman, Frayne & Schwab

[57] **ABSTRACT**

A holder is provided for the reception and selective shielding of an electronic vehicle identifying device conventionally used in conjunction with automatic toll collection. The holder includes a shielding portion which is manually actuated by the vehicle operator when it is desired to permit communication between the signal of the vehicle identifying transponder and an externally located interrogator which ascertains the presence of the vehicle.

15 Claims, 6 Drawing Sheets

- [56] **References Cited**
- U.S. PATENT DOCUMENTS**
- Re. 32,772 10/1988 Hawley 264/108
- 3,231,854 1/1966 Gran 340/928
- 4,227,037 10/1980 Layton 174/35 MS
- 4,312,917 1/1982 Hawley 428/375
- 4,325,146 4/1982 Lennington 359/155
- 4,401,216 8/1983 Koch 206/759
- 4,567,317 1/1986 Ehrlich et al. 174/35 MS



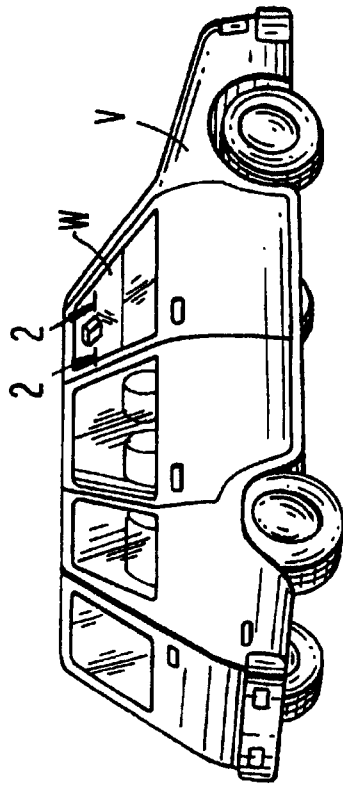


FIG. 1

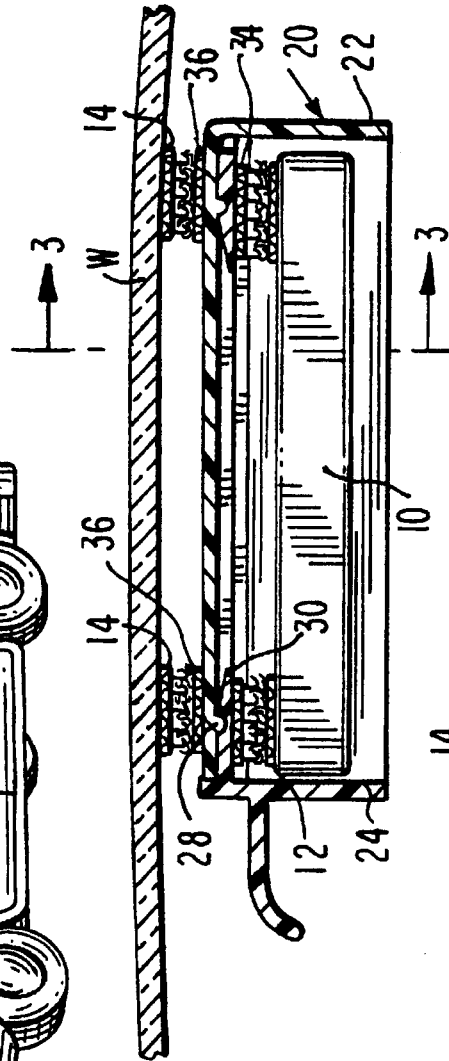


FIG. 2

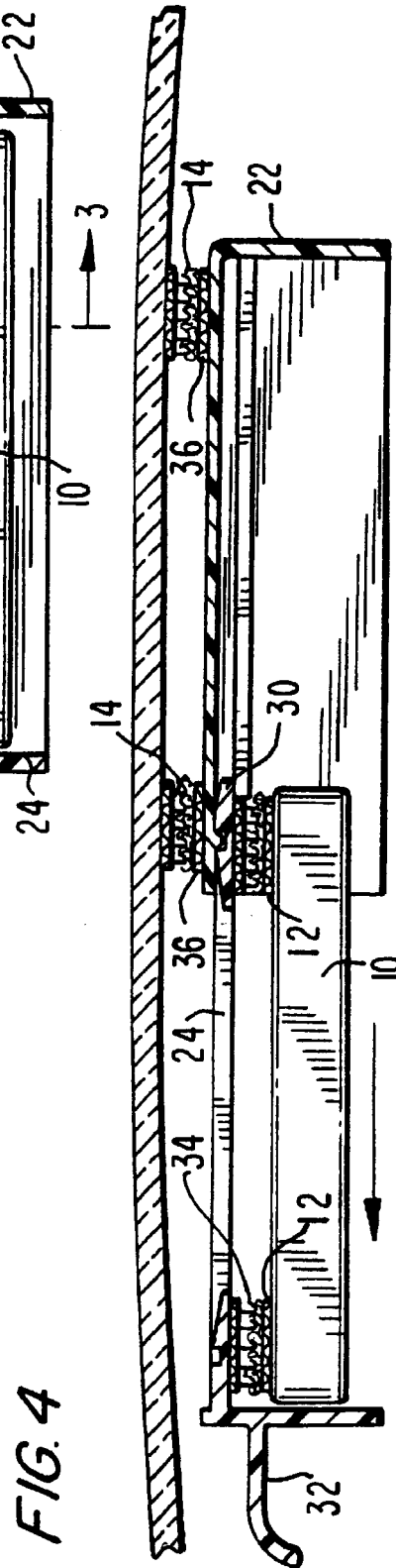
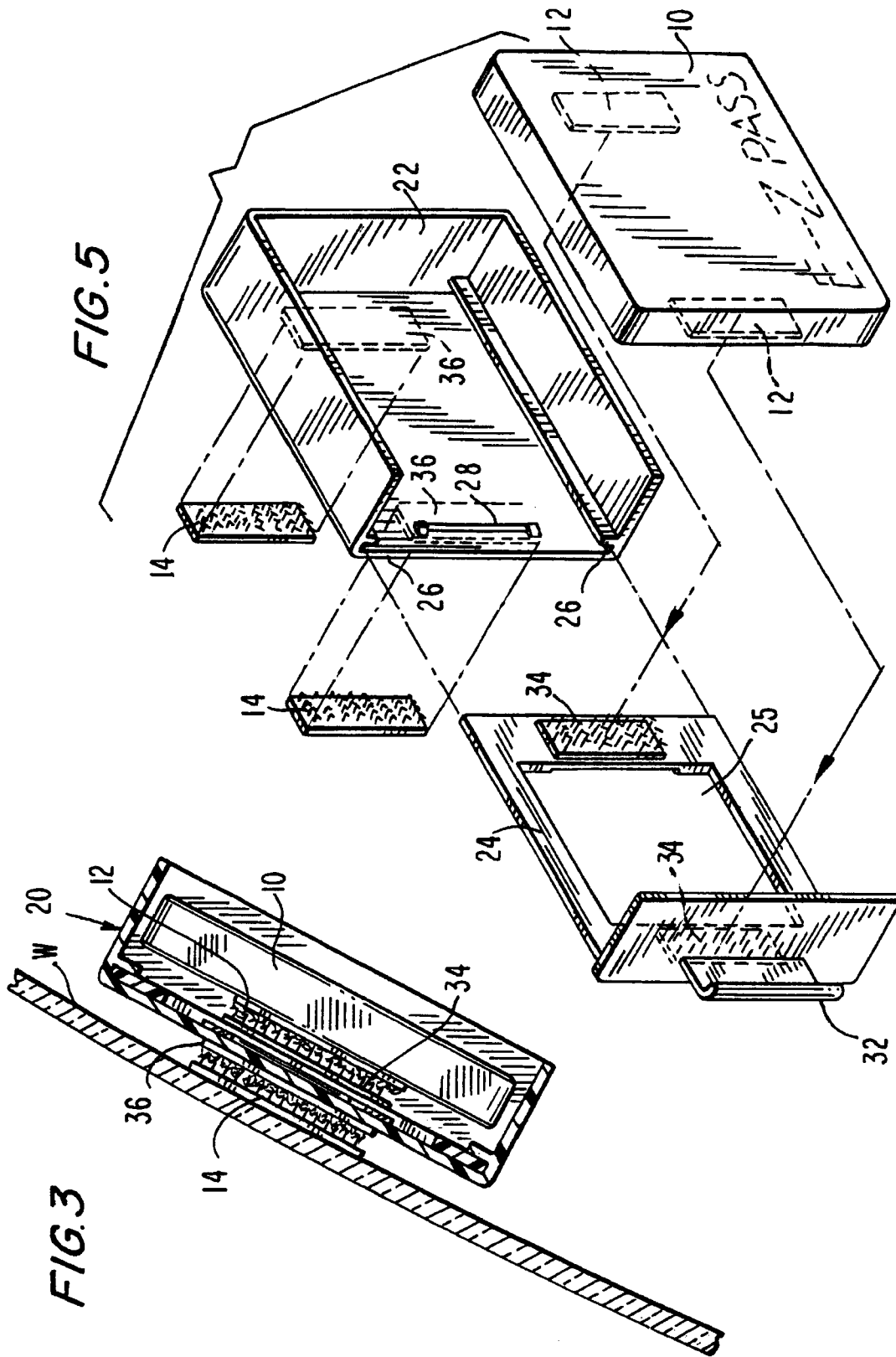
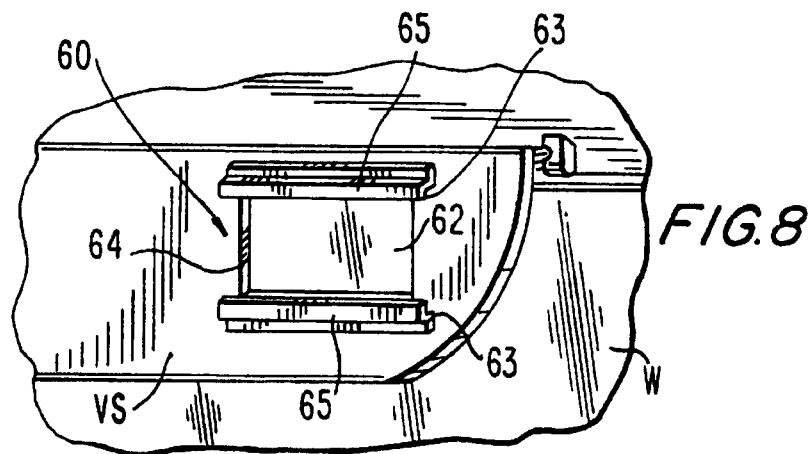
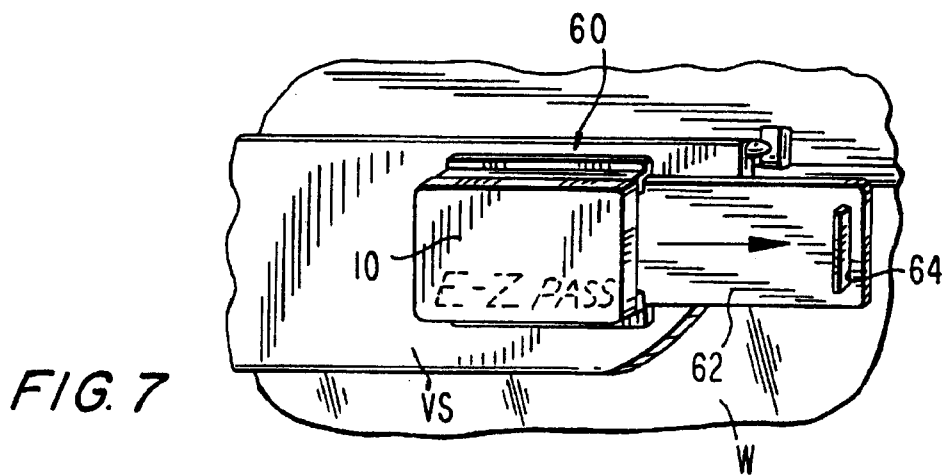
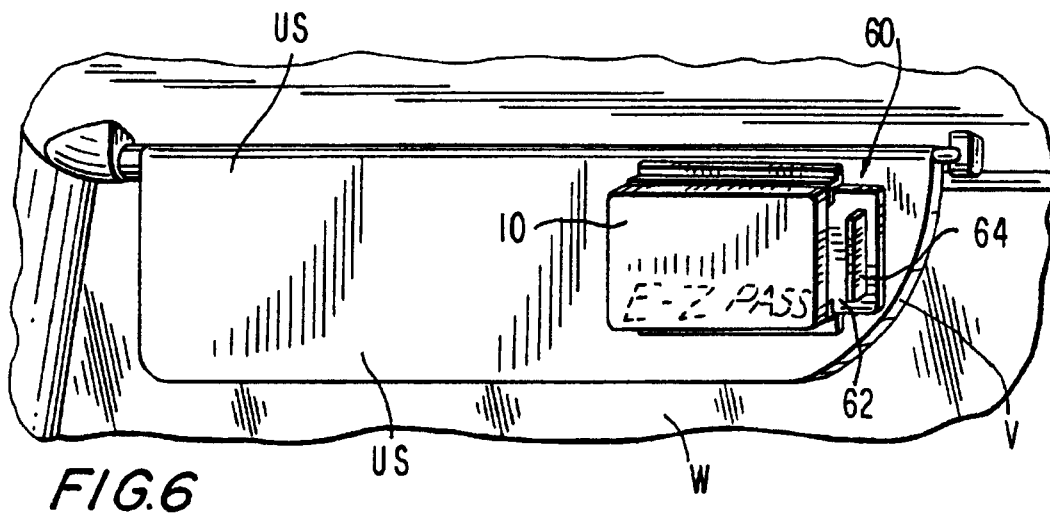


FIG. 4





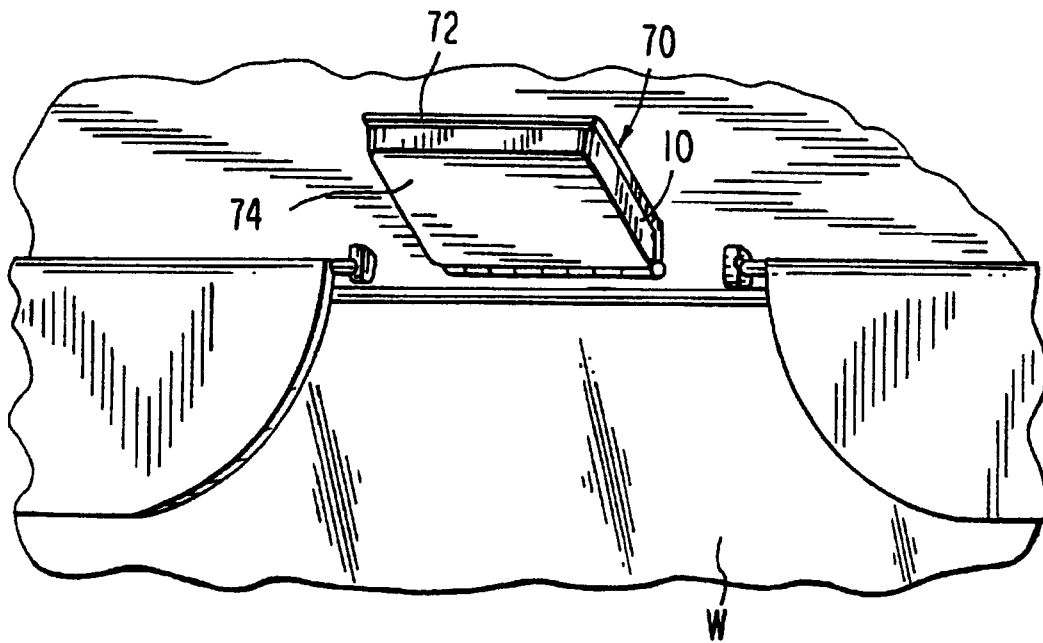


FIG. 9

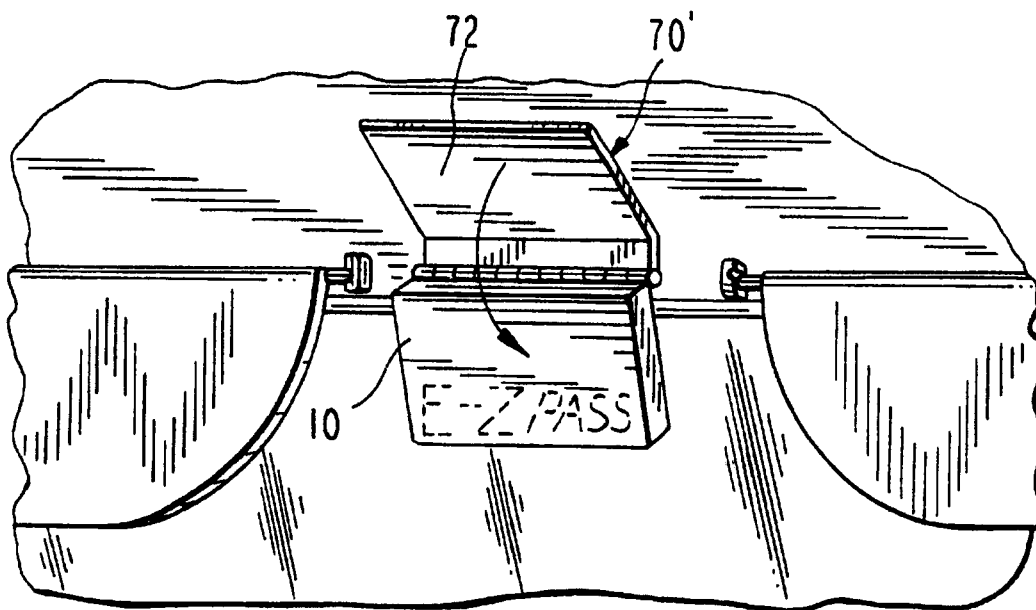


FIG. 10

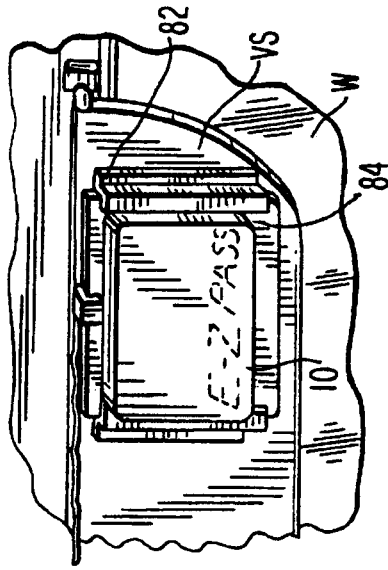


FIG. 11

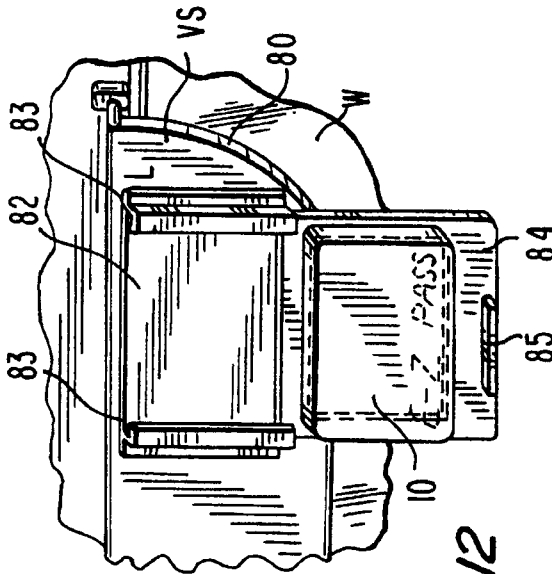


FIG. 12

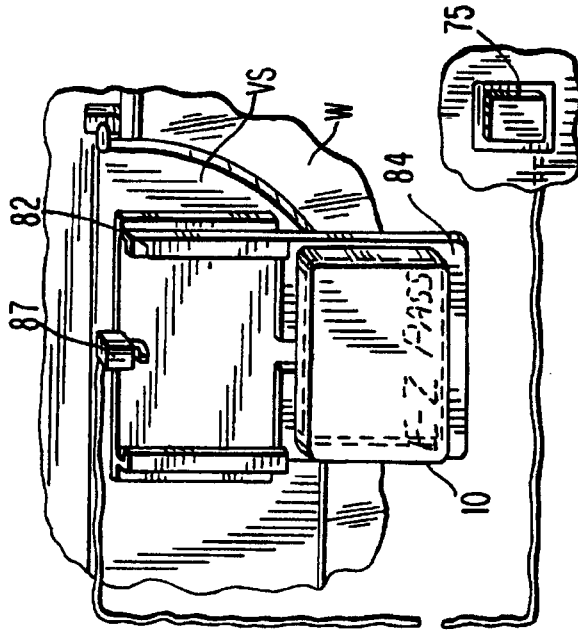


FIG. 13

FIG. 14

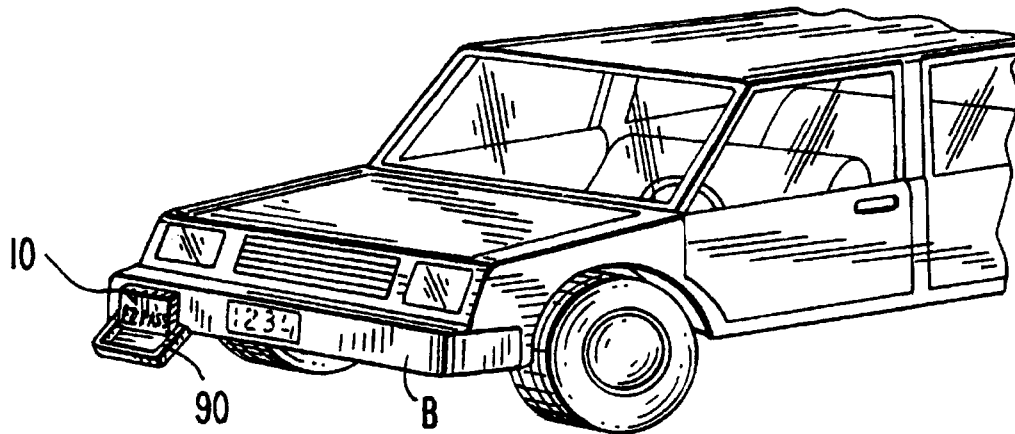
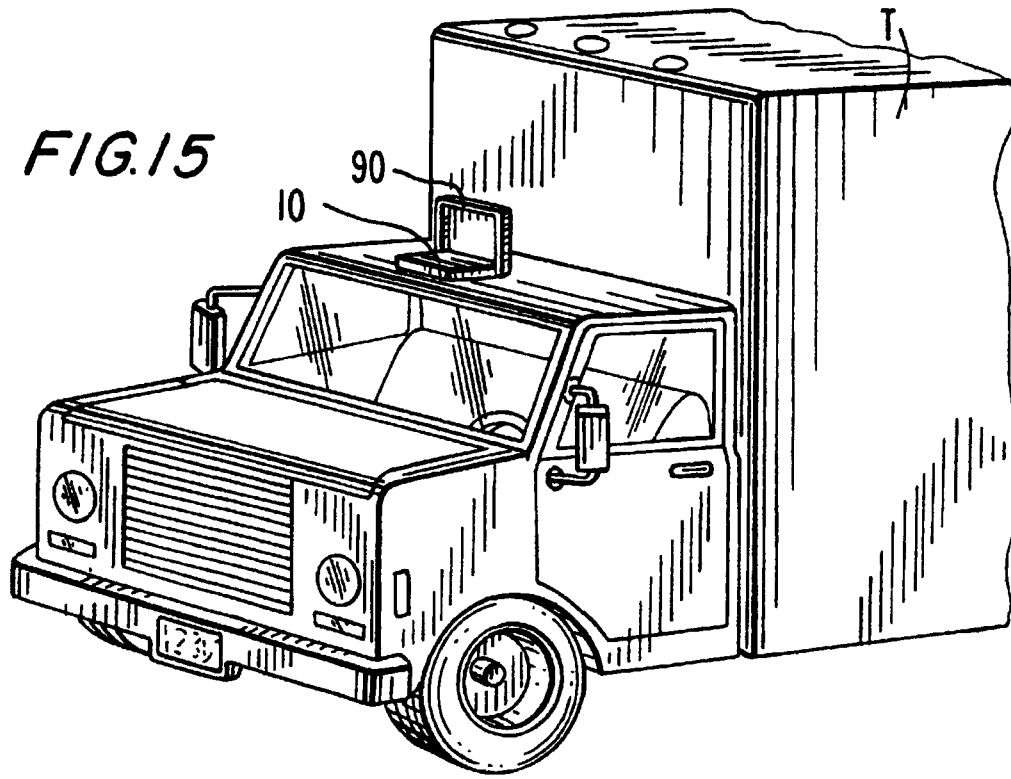


FIG. 16

6,127,938

1

**ADJUSTABLE SHIELD FOR VEHICLE
MOUNTED TOLL COLLECTION
IDENTIFIER**

FIELD OF INVENTION

The present invention relates to an adjustable shield for a vehicle-mounted toll collection identifier. The adjustable shield is manually actuated by the vehicle operator to control whether the vehicle identifying device will either be shielded from, or may be in communication with, the associated antenna at the toll collection station.

BACKGROUND OF THE INVENTION

Various automatic toll collection systems have been proposed to reduce the dependence on a manual attendant for the collection of tolls that the vehicle operator must present at toll collecting locations. It has been known for some time to provide special tokens which the vehicle's operator may deposit at the toll station without manual intervention, with the deposit and subsequent processing of the token providing the vehicle with a signal that it may pass through the toll collecting location. Such a system disadvantageously requires the vehicle's operator to periodically buy a supply of such tokens which are generally only usable at the selling facility. More recently, individually coded electronic transponders are being supplied for mounting to the vehicle. One such system, known as the E-Z PASS is coded to provide an electronic signal unique to a particular vehicle. The vehicle owner obtains the transponder device from the appropriate authority. The transponder is typically mounted on the windshield of the vehicle, and emits a signal which identifies that particular vehicle. As the vehicle approaches the toll station, an antenna located at the toll station ascertains the presence of the vehicle and will debit the appropriate toll to the vehicle's operator's account which has been established at the time the vehicle operator obtains the vehicle-mounted transponder from the toll collection authority. The balance of the vehicle operator's account may either be periodically replenished by electronic deposit, the forwarding of check drafts to the toll collection authority, or periodic debiting to the vehicle operator's general charge account. This toll collection system advantageously simplifies the process of collecting tolls, speeds up traffic flow through the toll station, and reduces the cost of collecting tolls by dispensing with the need to have an attendant at the toll station to make the currency exchange with the vehicle's operator. However, because of the continued presence of the transponder in an activated mode within the vehicle, there may be situations when the vehicle operator prefers not to emit the signal. For example, the operator may want to pay a particular toll with currency rather than have it automatically debited to the account set up in association with the transponder. Further the ability to ascertain the identification of the transponder at a location other than the toll station could subject the transponder to improper cloning, or be the basis for privacy concerns. Accordingly, it would be preferable to limit the activation of the transponder to those situations in which the vehicle operator is passing through the toll station and desires to utilize the transponder for the automatic toll collection.

SUMMARY OF THE INVENTION

The present invention advantageously provides a holder for the reception and selective shielding of the electronic vehicle identifying transponder. It includes a housing which includes a container for the vehicle identifying device, with

2

the housing including at least a portion constructed of a shielding material which prevents the transmission of electronically generated signals. A manually operable translation means is provided to selectively move the shielding material portion of the housing between first and second positions. In one of the positions, the shielding material overlies the signal emitting area of the vehicle identifying transponder to prevent the electronic signal of the transponder from being transmitted outside of the vehicle.

In the other of its positions, the shielding material is moved so as not to block the external transmission of the electronic signal. Thus, by the selected manual operation of the shield, the user can determine when the vehicle mounted transponder can be externally interrogated to ascertain the presence, and time, that the vehicle is at a particular location.

Several embodiments are disclosed in the present invention. According to one embodiment the transponder is located within a drawer of a housing member that is attached to the vehicle. Such attachment may typically be to the windshield of the vehicle. The drawer is normally in the closed position with the housing being formed of material to shield the transponder from a signal being transmitted thereto by an interrogating antenna or other device. As the vehicle passes through the toll station, and when the vehicle's operator desires to activate the transponder, the drawer will be opened with respect to its housing, such that the appropriate portion of the transponder will no longer be shielded. After passing through the toll station the drawer may then be moved back to the closed condition to shield the transponder.

In accordance with another embodiment of the present invention, the transponder is stationary within the housing. The housing includes a sliding shield, which may typically be a planar member, which normally overlies the transponder, but may be manually moved away from its overlying position when the vehicle is at the toll station and it is desired to utilize the transponder for the automatic payment of the toll.

Additional embodiments are provided where the transponder housing may be mounted to the visor, roof, or external of the vehicle. Where the transponder housing is mounted external to the vehicle, a manually controlled switch is provided for the vehicle's operator to displace the shielding portion of the transponder holder, such that the transponder may be utilized for the automatic collection of the toll.

It is therefore seen that the present invention provides a manually operable shield for use in conjunction with a vehicle-mounted identifying device which will permit the vehicle's operator to determine when the transponder allows external identification of the vehicle.

It is therefore a primary object of the present invention to provide a holder for the reception and selective shielding of an electronic vehicle identifying device.

A further object of the invention is to provide such a holder which includes a manually operable sliding portion, which permits the vehicle's operator to selectively shield the vehicle identifying device from external identification.

Another object of this invention is to provide such a holder in which the electronic vehicle identifying device transmits a signal unique to this particular vehicle, and the shielded holder selectively prevents the signal from being transmitted external of the vehicle.

Yet an additional object of the present invention is to provide such a holder which is in the form of a housing, having a drawer which contains the vehicle identifying

6,127,938

3

device, with the drawer being manually open when it is desired to utilize the vehicle identifying device for toll payment.

These as well as other objects of the present invention will become apparent upon a description of the following drawings.

BRIEF DESCRIPTION OF THE DRAWINGS

FIG. 1 shows a vehicle with a first embodiment of the present invention mounted on the upper central portion of the windshield.

FIG. 2 is a cross-sectional view along the line 2—2 as shown in FIG. 1, looking in the direction of the arrows, and showing the transponder in its shielded, non-activated condition.

FIG. 3 is a cross-sectional view along the line 3—3 as shown in FIG. 2, and looking in the direction of the arrows.

FIG. 4 corresponds to FIG. 2, but shows the transponder moved to its non-shielded, activated condition.

FIG. 5 is an exploded perspective view of the components forming the embodiment shown in FIGS. 1—4.

FIGS. 6—8 show a second embodiment of the present invention which may be carried by the visor of the vehicle. In FIGS. 6 and 7 the vehicle identifying transponder is inserted within the holder, with it being shielded in FIG. 6, and non-shielded in FIG. 7. FIG. 8 shows the mounted holder without the transponder.

FIGS. 9 and 10 show a third embodiment of the present invention which may be mounted to the roof of the vehicle. The transponder is shielded in FIG. 9 and non-shielded in FIG. 10.

FIGS. 11 and 12 show still a further embodiment of the present invention, which may be mounted to the visor, with the transponder being shielded in FIG. 11 and non-shielded in FIG. 12.

FIGS. 13 and 14 show a modification of the embodiment shown in FIGS. 11 and 12 wherein a push button is provided to move the transponder to its non-shielded position.

FIGS. 15 and 16 show further embodiments of the present invention in which the shielded housing member may be mounted to an external region of the vehicle.

DETAILED DESCRIPTION OF THE PREFERRED EMBODIMENTS

Reference is initially made to the embodiment shown in FIGS. 1—5. Vehicle V is provided with an automatic toll collection transponder 10 with one such transponder being known as the E-Z PASS for automatic toll collection on roads and bridges. The transponder will emit a vehicle identifying signal. When vehicle V goes through a toll collection booth (not shown) the signal emitted by transponder 10 will be received by a suitable compatible apparatus at the toll collection location to ascertain that vehicle V has passed through the toll collection location. This information is then transmitted to a central computer system in the well-known manner and the owner of vehicle V, who has obtained the transponder from the toll collection authority, will have his or her account debited for the appropriate toll.

Although the present invention is being described in conjunction with the E-Z PASS collection system, it should be naturally understood that other transponders having the same or similar shape may be used in conjunction with the shielded holder of the present invention.

Transponder 10 may be provided with attachment elements 12 which are intended to mate with attachment

4

elements 14 which, in the absence of the present invention, may be mounted to the windshield W of vehicle V. In accordance with the present invention, the holder 20 is interposed between transponder 10 and the vehicle windshield W. Holder 20 includes main housing member 22 and slidable drawer member 24. The main housing member 22 includes channels 26 to guide the sliding movement of drawer 24 between the conditions shown in FIGS. 2 and 4. A stop member 28 is provided at the end open extreme of housing member 22 which cooperates with depending projection 30 at the bottom of drawer 24 to limit the outward movement of drawer 24, thereby preventing drawer 24 from falling out of the housing member 22. A handle 32 is preferably provided on drawer 24 to facilitate the manual movement thereof between the positions shown in FIGS. 2 and 4. Securement elements 34 are provided on the drawer member 24 for complementary engagement with the securement elements 12 on the bottom of the transponder. Securement elements 34 may correspond to securement elements 14 which are attached to the windshield W of the vehicle. Similarly, securement elements 36 are provided at the lower portion of the housing for engagement with securement elements 14 mounted on the windshield. Securement elements 36 may preferably be similar to securement elements 12 on the bottom of the transponder 10. Thus, should it be desired not to use the shielded housing 20, the transponder 10 may be removed therefrom and directly attached to the securement elements 14 on the vehicle windshield.

Housing member 22 will be constructed of a material capable of shielding the signal emitted by transponder 10. While various materials may be utilized, a particularly advantageous structure is molded of plastic having shielding properties, such as disclosed in U.S. Pat. No. 4,312,917 and Re 32772. It should naturally be understood that other materials may be used, for example, housing 22 could be formed of metal having the appropriate shielding properties while drawer 24 need not be formed of shielding material. It may, for purposes of aesthetic compatibility, be molded of the same material forming housing member 22.

Drawer 24 provides a manually operable translation means for selectively moving the transponder 10 between two positions with respect to the shielding portion of housing 22 which overlies the transmitting region of transponder 10. In the condition shown in FIG. 2, the drawer 24 is fully inserted within housing member 22, such that the shielding material forming housing member 22 will prevent transmission of the vehicle identifying signal between the transponder 10 and an external interrogator. When the drawer 24 is manually moved to the condition shown in FIG. 4, housing member 22 will no longer provide shielding thereof. Further, even if drawer 24 is formed of a shielding material, its central opening 25 provides access between the external interrogator and the signal emitted by the transponder 10. Accordingly it should be appreciated that when it is desired to permit the transponder 10 to communicate with an external interrogator, and therefore indicate the presence of vehicle V, the operator grasps handle 32 and slides the drawer 24 to the condition shown in FIG. 4. This is typically done when the vehicle approaches the toll collection station and the operator desires that the toll be debited to his or her account. After passing through the toll collection station the drawer may then be moved back to the condition shown in FIG. 3.

Reference is now made to FIGS. 6—8 which show an alternative embodiment of the selectively shielding holder 60 for the transponder 10. Holder 60 is shown mounted to the visor VS. Transponder 10 may be connected to its

6,127,938

5

opposed planar surfaces **65** as by an adhesive, not shown. The vehicle mounted portion of the holder **60** includes opposed channels **63** for the reception of a slidable shield member **62**, having a handle **64**, which is provided in overlying relationship with respect to the signal transmitting portion of transponder **10**. When shielding member **64** is in the position shown in FIG. **6**, it will prevent communication between the transponder **10** and an externally located interrogator. Conversely, when the shielding member **62** is manually moved to the position shown in FIG. **7**, it will no longer block the transmission of the vehicle identification signal between transponder **10** and the external interrogator.

Thus, according to the embodiments shown in FIGS. **6-8**, the transponder **10** remains stationary and establishment of the two operative conditions is determined by movement of the planar slidable shielded member **62** between the positions shown in FIGS. **6** and **7**.

Reference is now made to FIGS. **9** and **10** which show still a further embodiment of the present invention in which the shielded housing **70** may be attached to the roof portion of the vehicle, immediately adjacent the windshield **W**. Housing **70** is formed of a shielding material, which may be similar to the material of housing **22** and slide members **62** shown in the prior embodiments. It includes a first portion **72** which is appropriately connected to the roof of the vehicle as by an adhesive (not shown) and portion **74** pivotally connected thereto. Portion **74** includes the transponder **10**. In the condition shown in FIG. **9** the transponder **10** will be shielded by portion **72**, thereby preventing communication between its vehicle identifying signal and an external interrogator. When the portion **74** is pivoted to the condition shown in FIG. **10**, the transponder will no longer be shielded, permitting vehicle identification communication with the external interrogator.

Reference is now made to FIGS. **11** and **12** which show still a further embodiment of the present invention which includes a shielded housing **80** intended to be mounted in visor **VS** of the vehicle. Housing **80** includes members **82** and **84**. At least member **82** is constructed of a shielding material. Member **82** is appropriately mounted to visor **VS** as by an adhesive (not shown). Member **82** includes channels **83** for the sliding movement of planar member portion **84** between the conditions shown in FIGS. **11** and **12**. A handle **85** is provided at the free end of **84** for manual movement between these two positions. The transponder **10** may be connected to member **84** by elements similar to **12** and **34** of FIG. **5** (not shown). Thus, when a planar drawer-like member **84** is in the condition shown in FIG. **11**, the transponder **10** will be shielded. Manual movement thereof to the condition shown in FIG. **12** permits communication between transponder **10** and the internal interrogator.

Reference is now made to FIGS. **13** and **14** which generally correspond to the embodiment shown in FIGS. **11** and **12**, except that movement to the condition shown in FIG. **14** is provided by a manual push button **75**. Upon the actuation of push button **75**, catch **87**, now carried by housing **82** is released from its cooperating engagement with planar drawer-like member **84** to permit movement thereof to the condition shown in FIG. **14**.

Reference is now made to FIGS. **15** and **16** which show still further embodiments of the present invention in which the transponder is externally mounted to either the top of the cab of a truck **T** or bumper **B** of a vehicle. Housing **90** normally be in a closed condition to thereby shield the transponder **10**. A push button device within the vehicle (not shown) suitably opens the housing **90** to the condition

6

shown in FIGS. **15** or **16** when it is desired to permit communication between the transponder **10** and the external interrogator. This would typically be done while passing through the toll gate. Appropriate mechanism is also provided to close the housing **90** after the toll has been processed.

Accordingly the present invention has been described in conjunction with several embodiments which are provided for illustrative purposes only, with it being understood that the invention is defined by the following claims:

I claim:

1. A holder for the reception and selective shielding of an electronic vehicle identifying device, comprising:

a housing forming a container for the vehicle identifying device, at least a portion of the housing constructed of a shielding material which provides shielding of electronically generated signals, and

manually operable translation means for selectively moving said shielding material portion of the housing between first and second positions relative to the vehicle identifying device, said first position characterized as said shielding material portion overlying the vehicle identifying device to prevent external electronic signal transmission with the vehicle identifying device and said second position displacing said shielding material portion from the vehicle identifying device to permit external electronic signal transmission with the vehicle identifying device.

2. A holder for the reception and selective shielding of an electronic vehicle identifying device according to claim 1, wherein said holder includes attachment means for mounting to a vehicle.

3. A holder for the reception and selective shielding of an electronic vehicle identifying device according to claim 2, wherein said attachment means mounts to a vehicle windshield.

4. A holder for the reception and selective shielding of an electronic vehicle identifying device according to claim 2, wherein said attachment means mounts to a vehicle visor.

5. A holder for the reception and selective shielding of an electronic vehicle identifying device according to claim 1, wherein said holder is carried by a vehicle visor.

6. A holder for the reception and selective shielding of an electronic vehicle identifying device according to claim 1, wherein said housing includes first and second members, said first member being a drawer and said second member being an enclosure for the reciprocal movement of said drawer within said enclosure between said first and second positions, said enclosure providing said shielding material portion to electronically shield the vehicle identifying device when said drawer is manually moved to said first position.

7. A holder for the reception and selective shielding of an electronic vehicle identifying device according to claim 6, wherein said enclosure is formed of a plastic having shielding properties.

8. A holder for the reception and selective shielding of an electronic vehicle identifying device according to claim 6, further including stop means between said drawer and enclosure to define the end limits of said first and second positions.

9. A holder for the reception and selective shielding of an electronic vehicle identifying device according to claim 2, wherein said housing includes first and second members, said first member being stationary, and adapted to retain the vehicle identifying device, said second member being a shield for reciprocal movement relative to said first member between said first and second positions.

6,127,938

7

10. A holder for the reception and selective shielding of an electronic vehicle identifying device according to claim 9, wherein said shield is planar.

11. A holder for the reception and selective shielding of an electronic vehicle identifying transmitter, comprising:

first and second housing members, said second housing member being a drawer for slidable engagement with said first housing member,

said drawer adapted to retain the vehicle identifying transmitter and movable between a first position, substantially completely within said first housing member, and a second position extending outward of said first housing member;

at least a portion of said first housing member formed of shielding material to prevent the transmission of electronic signals outward of said holder when said drawer is in its second position, and permitting the transmission of electronic signals outward of said holder when said drawer is in its first position; and

means for manually moving said drawer between its first and second positions;

8

whereby the transmission of electronic signals from said holder requires said drawer to be manually moved to its second position.

12. A holder for the reception and selective shielding of an electronic vehicle identifying device according to claim 11, wherein said holder includes attachment means for mounting to a vehicle.

13. A holder for the reception and selective shielding of an electronic vehicle identifying device according to claim 12, wherein said attachment means mounts to a vehicle windshield.

14. A holder for the reception and selective shielding of an electronic vehicle identifying device according to claim 11, wherein said first housing member is formed of a plastic having shielding properties.

15. A holder for the reception and selective shielding of an electronic vehicle identifying device according to claim 11, further including stop means between said first and second housing members to define the end limits of said first and second positions.

* * * * *

UNITED STATES PATENT AND TRADEMARK OFFICE
CERTIFICATE OF CORRECTION

PATENT NO. : 6,127,938
DATED : October 3, 2000
INVENTOR(S) : Friedman, Solomon

Page 1 of 1

It is certified that error appears in the above-identified patent and that said Letters Patent is hereby corrected as shown below:

Column 7,


Line 17, change "second" to -- first --; and

Line 19, change "first" to -- second --.

Signed and Sealed this

Thirtieth Day of April, 2002

Attest:



Attesting Officer

JAMES E. ROGAN
Director of the United States Patent and Trademark Office