

RECEIVED

DEC 17 2007

700-
ROBERT H. SHERWELL, CLERK
WESTERN DISTRICT OF LOUISIANA
LAFAYETTE, LOUISIANA

IN THE UNITED STATES DISTRICT COURT
FOR THE WESTERN DISTRICT OF LOUISIANA
LAFAYETTE DIVISION

HEEREMA ENGINEERING SERVICES
B.V.,

Plaintiff,

v.

TRANSOCEAN INC., and
TRANSOCEAN OFFSHORE DEEPWATER
DRILLING INC.,

Defendants.

6:07-CV-2170

LO

MAGISTRATE JUDGE _____

JURY TRIAL DEMANDED

COMPLAINT

Plaintiff, Heerema Engineering Services B.V. (“Heerema”), for its complaint, alleges as follows:

THE PARTIES

1. Plaintiff, Heerema, is a Dutch corporation with a place of business at Vondellaan 55, 2332 AA Leiden, The Netherlands.

2. Defendant, Transocean Inc. (“Transocean”), is a Cayman Islands corporation with offices in the United States at 4 Greenway Plaza, Houston, TX 77046. Transocean conducts business in this state through, *inter alia*, contracts with its subsidiaries and with the other Defendant named in this action.

3. Defendant, Transocean Offshore Deepwater Drilling Inc. (“TODDI”), is a Delaware corporation having a place of business at 4 Greenway Plaza, Houston, Texas 77046. TODDI conducts business in this state through, *inter alia*, contracts with subsidiaries of Transocean and with Transocean.

JURISDICTION AND VENUE

4. This action is for Defendants' infringement of patents owned by Heerema, and it arises out of the patent laws of the United States. This Court has jurisdiction over this action pursuant to 28 U.S.C. §§ 1331 and 1338(a).

5. The court has specific and general jurisdiction over Defendants.

6. Venue is proper within this district pursuant to 28 U.S.C. §§ 1391(b) and 1400(b).

COUNT ONE

(Infringement of the '443 Patent)

7. Heerema repeats and re-alleges the allegations of paragraphs 1 through 6 above as if fully set forth herein.

8. On July 15, 1997, U.S. Patent No. 5,647,443 ("the '443 patent"), entitled "Method and Device for Drilling for Oil or Gas," was duly and legally issued. A true copy of the '443 patent is attached as Exhibit A.

9. Heerema holds all rights, title and interest to the '443 patent, including the rights to enforce the patent.

10. Defendants have been and are infringing one or more claims of the '443 patent. Examples of its infringing conduct include offering for sale and selling dual-activity rigs for use in the Gulf of Mexico.

11. Defendants have willfully infringed and are willfully infringing the '443 patent.

12. Heerema has been and will continue to be damaged by Defendants' infringement.

13. Defendants' continuing acts of infringement are irreparably harming and causing damage to Heerema. Heerema has no adequate remedy at law to redress Defendants' continuing acts of infringement. The hardships that would be imposed by an injunction are less than those

faced by Heerema should an injunction not issue. The public interest would be served by issuance of an injunction.

PRAYER FOR RELIEF

WHEREFORE, Plaintiff, Heerema, prays for the following relief against Transocean and TODDI:

A. A judgment that Defendants have infringed, and continue to infringe, the '443 patent;

B. An injunction against Defendants, their officers, agents, servants, employees, all parent and subsidiary corporations, all assignees and successors in interest, and those persons in active concert or participation with Defendants, including distributors and customers, enjoining them from infringing the '443 patent;

C. An award of damages under 35 U.S.C. § 284, along with pre-judgment and post-judgment interest;

D. A trebling of such damages for Defendants' willful infringement;

E. A declaration that this case is exceptional pursuant to 35 U.S.C. § 285;

F. An award of attorneys' fees, costs, and expenses; and

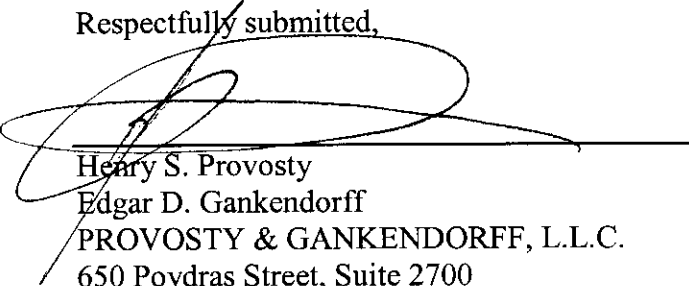
G. Such other relief that this Court deems just and proper.

DEMAND FOR JURY TRIAL

Plaintiff Heerema demands a trial by jury for all issues and claims so triable.

Respectfully submitted,

Dated: December 14, 2007



Henry S. Provosty
Edgar D. Gankendorff
PROVOSTY & GANKENDORFF, L.L.C.
650 Poydras Street, Suite 2700
New Orleans, LA 70130
Telephone: (504) 410-2795
Fax: (504) 410-2796
Email: hprovosty@provostylaw.com
Email: egankendorff@provostylaw.com

Of Counsel:

William A. Isaacson
D. Michael Underhill
Eric J. Maurer
Louis G. Smith
BOIES, SCHILLER & FLEXNER LLP
5301 Wisconsin Avenue, NW
Washington, DC 20015
Telephone: 202.237.2727
Fax: 202.237.6131
E-mail: wisaacson@bsflp.com
E-mail: munderhill@bsflp.com
E-mail: emaurer@bsflp.com
E-mail: lsmith@bsflp.com

Attorneys for Plaintiff Heerema Engineering Services B.V.

EXHIBIT A:

U.S. Patent No. 5,647,443



US005647443A

United States Patent [19]
Broeder

[11] **Patent Number:** **5,647,443**
 [45] **Date of Patent:** **Jul. 15, 1997**

- [54] **METHOD AND DEVICE FOR DRILLING FOR OIL OR GAS**
- [75] **Inventor:** René Broeder, Culemborg, Netherlands
- [73] **Assignee:** Heerema Group Services B.V., Leiden, Netherlands
- [21] **Appl. No.:** 504,352
- [22] **Filed:** Jul. 19, 1995
- [30] **Foreign Application Priority Data**
 Jul. 22, 1994 [NL] Netherlands 9401208
- [51] **Int. Cl.⁶** E21B 19/00
- [52] **U.S. Cl.** 175/5; 175/85; 166/359
- [58] **Field of Search** 175/5, 7, 85, 52;
 414/22.51, 22.63, 22.68; 166/380, 382,
 377, 359, 364, 350, 365, 367; 405/195.1,
 201, 203

4,624,318 11/1986 Aagaard 166/359
 4,735,267 4/1988 Stevens 166/350 X

FOREIGN PATENT DOCUMENTS

0273474 6/1988 European Pat. Off. .

OTHER PUBLICATIONS

PCT Publication No. WO 87/07674 filed Dec. 17, 1987.
 World Oil, vol. 203, No. 4, Oct. 1986, pp. 41-43, Houston, Texas, U.S.; R. W. Mowell, et al.; "New semi features better heave response, vertical riser storage" p. 42, figures 3,4.

Primary Examiner—William P. Neuder
Attorney, Agent, or Firm—Pulwider Patton Lee & Utecht, LLP

[57] **ABSTRACT**

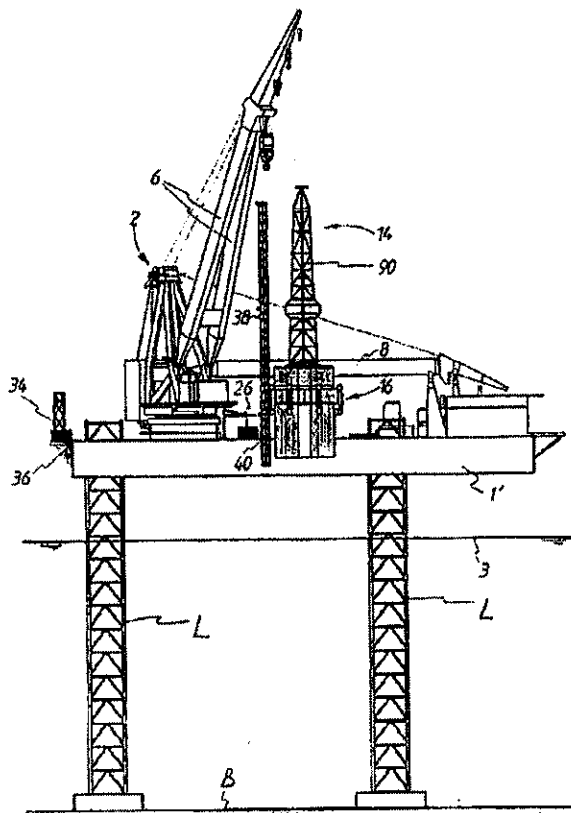
In a method and device for drilling for oil or gas in an underwater bed by means of a drilling rig with a drilling derrick disposed on a floating drilling platform or on an underwater bed, prior to the placing of a casing string, the placing of a riser string or the drilling of a hole, one or more parts of the casing string, the riser string or the drill string are pre-assembled on the drilling rig at one or more pre-assembly points which are in a position which is different from the position of the drilling derrick.

[56] **References Cited**

U.S. PATENT DOCUMENTS

- 3,895,677 7/1975 Bokenkamp 166/359
- 3,987,910 10/1976 Brunato 175/85 X
- 4,081,087 3/1978 Freeman, Sr. 175/85 X
- 4,117,941 10/1978 McCleashey, Jr. et al. 175/85 X
- 4,208,158 6/1980 Davies et al. 175/85 X

24 Claims, 13 Drawing Sheets



U.S. Patent

Jul. 15, 1997

Sheet 1 of 13

5,647,443

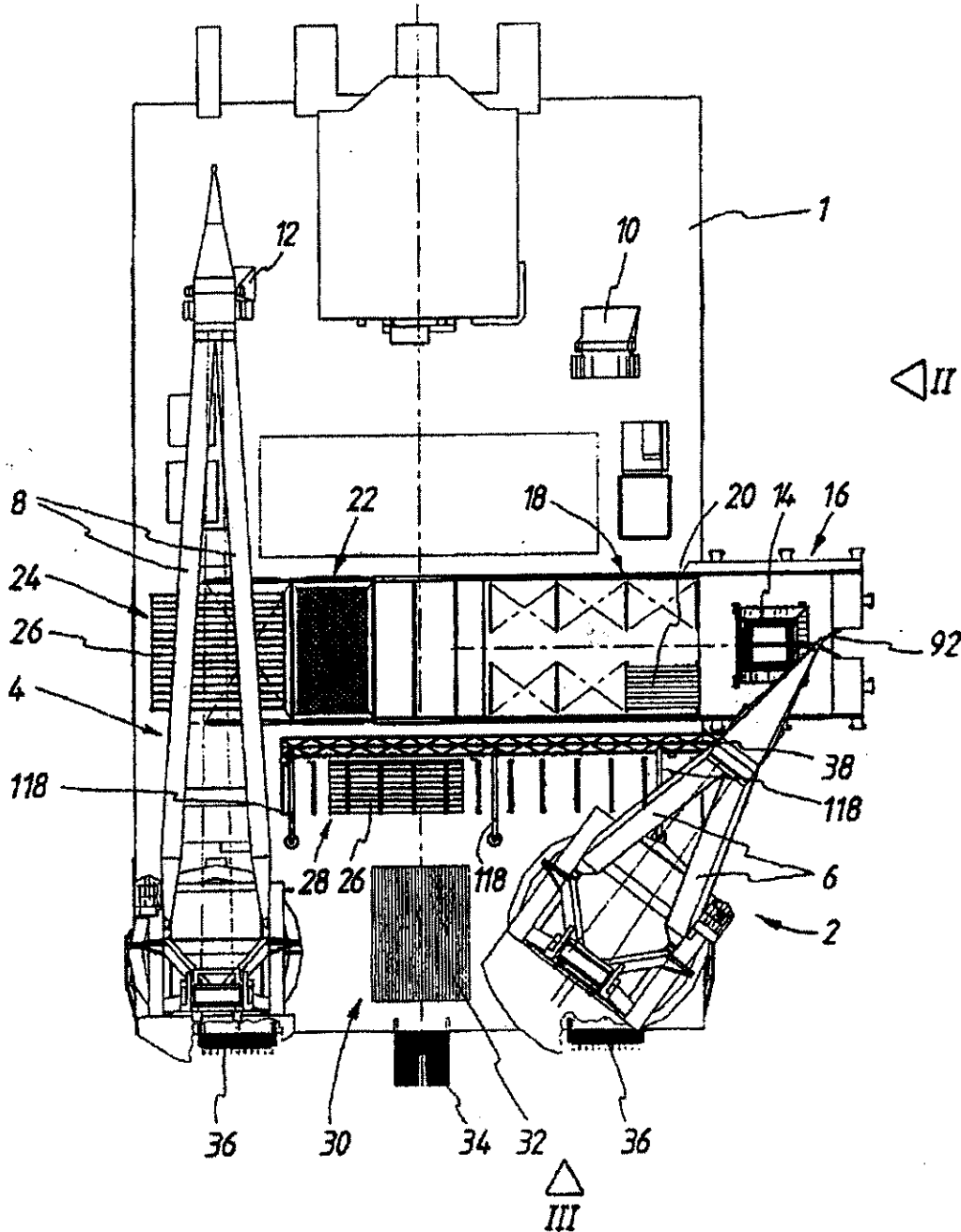


Fig. 1

U.S. Patent

Jul. 15, 1997

Sheet 2 of 13

5,647,443

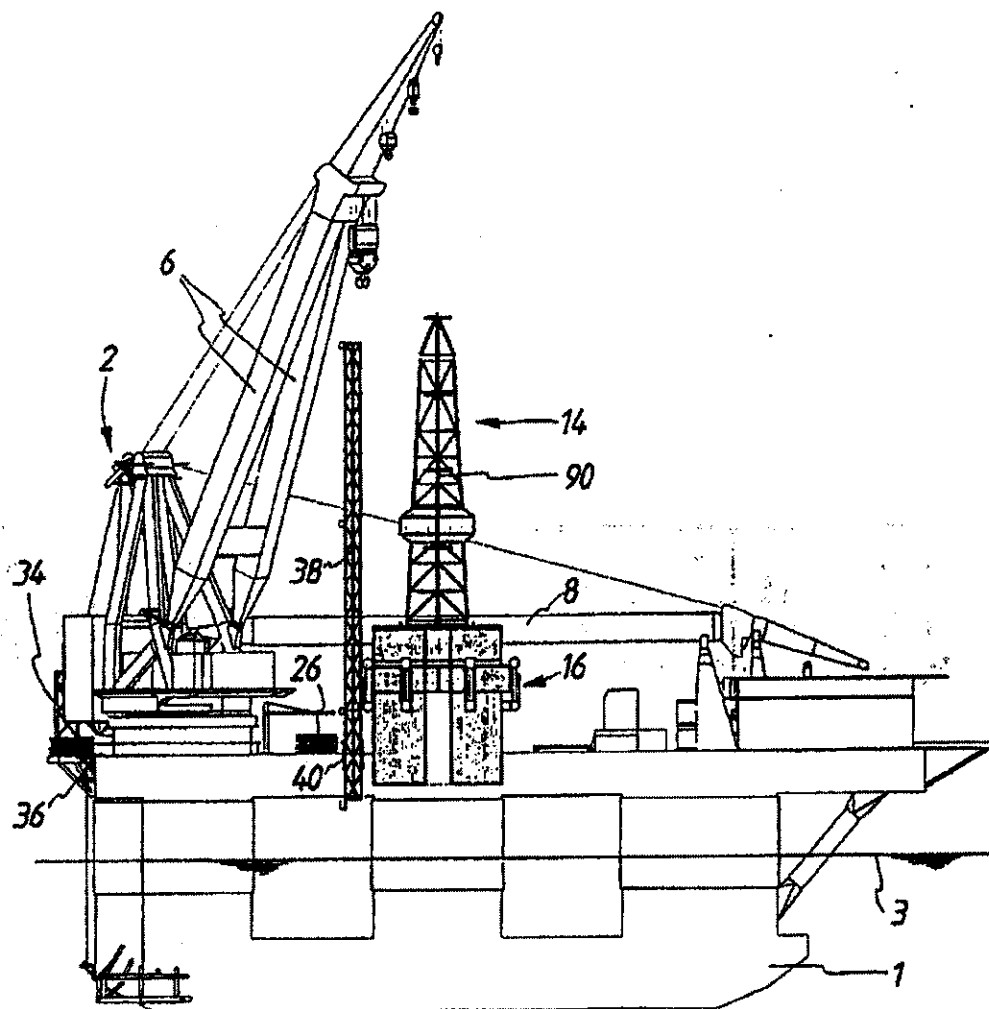


Fig. 2