

UNITED STATES DISTRICT COURT
SOUTHERN DISTRICT OF NEW YORK

CHRISTIE OTTAW

USDC SDNY
DOCUMENT
ELECTRONICALLY FILED
DOC#
DATE FILED: 11/15/11

PRO SE OFFICE

(In the space above enter the full name(s) of the plaintiff(s).)

AMENDMENT

COMPLAINT

1:11 CIV 06187 (MRB)

-against-

VERIFONE SYSTEM INC.

Jury Trial: Yes No
(check one)

(In the space above enter the full name(s) of the defendant(s). If you cannot fit the names of all of the defendants in the space provided, please write "see attached" in the space above and attach an additional sheet of paper with the full list of names. The names listed in the above caption must be identical to those contained in Part I. Addresses should not be included here.)

I. Parties in this complaint:

A. List your name, address and telephone number. If you are presently in custody, include your identification number and the name and address of your current place of confinement. Do the same for any additional plaintiffs named. Attach additional sheets of paper as necessary.

Plaintiff Name CHRISTIE OTTAW
Street Address 1035 CLARKSON AVENUE, SUITE 5A
County, City BROOKLYN
State & Zip Code NEW YORK, 11212
Telephone Number 718-581-4539

B. List all defendants. You should state the full name of the defendant, even if that defendant is a government agency, an organization, a corporation, or an individual. Include the address where each defendant may be served. Make sure that the defendant(s) listed below are identical to those contained in the above caption. Attach additional sheets of paper as necessary.

NUMBRA 01
PAGE 1 OF 4

Defendant No. 1 Name VON FONE SYSTEM INC
 Street Address 2099 GATEWAY PLACE, SUITE 600
 County, City SAN JOSE, CA
 State & Zip Code CALIFORNIA, 95110
 Telephone Number _____

Defendant No. 2 Name _____
 Street Address _____
 County, City _____
 State & Zip Code _____
 Telephone Number _____

Defendant No. 3 Name _____
 Street Address _____
 County, City _____
 State & Zip Code _____
 Telephone Number _____

Defendant No. 4 Name _____
 Street Address _____
 County, City _____
 State & Zip Code _____
 Telephone Number _____

II. Basis for Jurisdiction:

Federal courts are courts of limited jurisdiction. Only two types of cases can be heard in federal court: cases involving a federal question and cases involving diversity of citizenship of the parties. Under 28 U.S.C. § 1331, a case involving the United States Constitution or federal laws or treaties is a federal question case. Under 28 U.S.C. § 1332, a case in which a citizen of one state sues a citizen of another state and the amount in damages is more than \$75,000 is a diversity of citizenship case.

A. What is the basis for federal court jurisdiction? (check all that apply)

- Federal Questions
- Diversity of Citizenship

B. If the basis for jurisdiction is Federal Question, what federal Constitutional, statutory or treaty right is at issue?

PATIENT INFRINGEMENT?

C. If the basis for jurisdiction is Diversity of Citizenship, what is the state of citizenship of each party?

Plaintiff(s) state(s) of citizenship NEW YORK STATE, NYS
 Defendant(s) state(s) of citizenship CALIFORNIA, CA

III. Statement of Claim:

State as briefly as possible the facts of your case. Describe how each of the defendants named in the caption of this complaint is involved in this action, along with the dates and locations of all relevant events. You may wish to include further details such as the names of other persons involved in the events giving rise to your claims. Do not cite any cases or statutes. If you intend to allege a number of related claims, number and set forth each claim in a separate paragraph. Attach additional sheets of paper as necessary.

A. Where did the events giving rise to your claim(s) occur? NEW YORK CITY, NYS, USA

B. What date and approximate time did the events giving rise to your claim(s) occur? 2008 PATENT # US 7,152,840 AND IP AUSTRALIAN PATENT # 2003231638 WAS/IS INFRINGED

C. Facts: MY PATENT # U.S. 7,152,840 & AU # 2003231638 WAS/IS INFRINGED BY VERIFONE PRODUCT MOUNTED IN NYC PATENT INFRINGEMENT

What happened to you?

Who did what?

Was anyone else involved?

Who else saw what happened?

VERIFONE SYSTEMS INC. PRODUCTS AUDIO/VIDEO ~~WAS/IS~~ INSTALLED IN NYC YELLOW CAB/TAXI/LIMO CAR SEATS VIOLATED MY PATENT RIGHTS

TAXI AND LIMO. COMMISSIONS

I HAVE SEEN THE CITY YELLOW TAXI EQUIPPED WITH THE SAID AUDIO/VIDEO MOUNTED IN MOBILE VEHICLE CAR SEATS

IV. Injuries:

If you sustained injuries related to the events alleged above, describe them and state what medical treatment, if any, you required and received.


NUMBER ~~01~~ 01
PAGE 3 OF 4

V. Relief:

State what you want the Court to do for you and the amount of monetary compensation, if any, you are seeking, and the basis for such compensation. Am THE OWNER OF U.S. PATENT # 840 INTL' CLASS: A47B 5/04, AND AUPATENT # 2003231638, INTL. CLASSES B42D 1700, B42D 9/00, A47B/23/00 (2006.01). THE INFRINGEMENT I HAVE COST ME \$PORNERS CONTRACTS AND SLOWED INVESTMENTS CAPITALS MANY BIG URBAN/METROPOLITAN CENTERS HAVE AWARDED MULTI BILLION DOLLARS CONTRACTS TO VISAFONE SYSTEM INC. AND HER AFFILIATES TO DESIGN AND EQUIP THEIR CITIES TAXI WITH THE VIEW AND IMPROVE AUDIO/VIDEO TECHNOLOGIES THIS IS THE FACTS, THE NEW AND IMPROVED AUDIO/VIDEO (HD-TV 720P) HAVE CAPABILITIES OF A COMPUTER, OR NOTE BOOK, A MOBILE HD-TV CAN BROWSE, DESK TOP, YAHOO, GOOGLE AND A.O.L, TWITT, E-MAIL, FACE BOOK, ENTERTAINMENT LIKE, WII SONY PLAY STATION, SHARE PICTURES VIA SKYPE, ETC. MY PARTNERS AND MY SELF ARE DEMANDING 71 MILLION IN PATENT INFRINGEMENT.

I declare under penalty of perjury that the foregoing is true and correct.

Signed this 7 day of NOVEMBER, 2011.

Signature of Plaintiff 
Mailing Address 1035 CLARKSON AVENUE
SUITE 5A, BROOKLYN
NEW YORK, 11212
Telephone Number 718 581 4539
Fax Number (if you have one) _____

Note: All plaintiffs named in the caption of the complaint must date and sign the complaint. Prisoners must also provide their inmate numbers, present place of confinement, and address.

For Prisoners:

I declare under penalty of perjury that on this _____ day of _____, 20____, I am delivering this complaint to prison authorities to be mailed to the Pro Se Office of the United States District Court for the Southern District of New York.

Signature of Plaintiff: _____
Inmate Number _____

NUMBR 01
PAGE 4 OF 4

(Rev. 10/95)

WAIVER OF SERVICE OF SUMMONS

TO: CHIKERIE OTTATH
(NAME OF PLAINTIFF'S ATTORNEY OR UNREPRESENTED PLAINTIFF)

I, VERIFONE SYSTEM INC, acknowledge receipt of your request
(DEFENDANT NAME) CHIKERIE OTTATH

that I waive service of summons in the action of VERIFONE SYSTEM INC,
(CAPTION OF ACTION)

which is case number * _____ in the United States District Court
(DOCKET NUMBER)
for the Southern District of New York

I have also received a copy of the complaint in the action, two copies of this instrument, and a means by which I can return the signed waiver to you without cost to me.

I agree to save the cost of service of a summons and an additional copy of the complaint in this lawsuit by not requiring that I (or the entity on whose behalf I am acting) be served with judicial process in the manner provided by Rule 4.

I (or the entity on whose behalf I am acting) will retain all defenses or objections to the lawsuit or to the jurisdiction or venue of the court except for objections based on a defect in the summons or in the service of the summons.

I understand that a judgment may be entered against me (or the party on whose behalf I am acting) if an

answer or motion under Rule 12 is not served upon you within 60 days after

09/02/2011
(DATE REQUEST WAS SENT)

or within 90 days after that date if the request was sent outside the United States.

(DATE) (SIGNATURE)

Printed/Typed Name: _____

As _____ of _____
(TITLE) (CORPORATE DEFENDANT)

Duty to Avoid Unnecessary Costs of Service of Summons

Rule 4 of the Federal Rules of Civil Procedure requires certain parties to cooperate in saving unnecessary costs of service of the summons and complaint. A defendant located in the United States who, after being notified of an action and asked by a plaintiff located in the United States to waive service of summons, fails to do so will be required to bear the cost of such service unless good cause be shown for its failure to sign and return the waiver.

It is not good cause for a failure to waive service that a party believes that the complaint is unfounded, or that the action has been brought in an improper place or in a court that lacks jurisdiction over the subject matter of the action or over its person or property. A party who waives service of the summons retains all defenses and objections (except any relating to the summons or to the service of the summons), and may later object to the jurisdiction of the court or to the place where the action has been brought.

A defendant who waives service must within the time specified on the waiver form serve on the plaintiff's attorney (or unrepresented plaintiff) a response to the complaint and must also file a signed copy of the response with the court. If the answer or motion is not served within this time, a default judgment may be taken against that defendant. By waiving service, a defendant is allowed more time to answer than if the summons had been actually served when the request for waiver of service was received.

(Rev. 12/93)

**NOTICE OF LAWSUIT AND REQUEST FOR
WAIVER OF SERVICE OF SUMMONS**

TO: (A) MR ALBERT LIU
as (B) VICE PRESIDENT of (C) VERIFONIE

A lawsuit has been commenced against you (or the entity on whose behalf you are addressed). A copy of the complaint is attached to this notice. It has been filed in the United States District Court for the (D) Southern District of New York and has been assigned docket number (E) _____.

This is not a formal summons or notification from the court, but rather my request that you sign and return the enclosed waiver of service in order to save the cost of serving you with a judicial summons and an additional copy of the complaint. The cost of service will be avoided if I receive a signed copy of the waiver within (F) 7 days after the date designated below as the date on which this Notice and is sent. I enclose a stamped and addressed envelope (or other means of cost-free return) for your use. An extra copy of the waiver is also attached for your records.

If you comply with this request and return the signed waiver, it will be filed with the court and no summons will be served on you. The action will then proceed as if you had been served on the date the waiver is filed, except that you will not be obligated to answer the complaint before 60 days from the date designated below as the date on which this notice is sent (or before 90 days from that date if your address is not in any judicial district of the United States).

If you do not return the signed waiver within the time indicated, I will take appropriate steps to effect formal service in a manner authorized by the Federal Rules of Civil Procedure and will then, to the extent authorized by those Rules, ask the court to require you (or the party on whose behalf you are addressed) to pay the full costs of such service. In that connection, please read the statement concerning the duty of parties to waive the service of the summons, which is set forth at the foot of the waiver form.

I affirm that this request is being sent to you on behalf of the plaintiff, this 2nd day of Sept, 2011.

Signature of Plaintiff's Attorney
or Unrepresented Plaintiff

- A—Name of individual defendant (or name of officer or agent of corporate defendant)
- B—Title, or other relationship of individual to corporate defendant
- C—Name of corporate defendant, if any
- D—District
- E—Docket number of action
- F—Addressee must be given at least 30 days (60 days if located in foreign country) in which to return waiver

FILM VOUCHER SYSTEM INC
c/o AT&T BELL L14, SENECA VILLAGE PARKWAY
2055 GARDENWAY PLACE, SUITE 600
SAN JOSE, CA 95110

13 CHRYSLER DRIVE
1035 CLARKSON AVENUE, SUITE 5TH
BROOKLYN, NEW YORK, 11212 USA

Number of

#04

PATENT NUMBER US 7,152,840
PATENT NUMBER AU 2003231638
CONSTRUCTION OF AUDIO / VIDEO AND CLAIMS

Audio visual and video

To illustrate the process of the construction and engineering of the audio / video Fig.4 in sheet 3 of 4, Fig.4 as illustrated in page 3 of 4 drawing sheets, illustrate a book

holder 410 comprising book support 412 and a support arm 414. the support arm the clasp 15 comprise an adjustable clip 70 mounted on the lower section 73. the adjustable 414 comprises a clasp 15 a lower section 73 and an upper section 75. clip 70 is rotatable with respect to the arm 414 to reanovably attach the book holder 410 to vertical or horizontal object (eg a pole) (not shown) on the mobile vehicle. The arm connector 415 rotatable and slidably attaches the lower section 73 of the supporting arm 414 to the upper section 75. the upper section 75 has pivotal connector 420 (Fig.4) on the book support 412. the clip 70 has adjustable clip arms 74a, 74b to allow different sizes of objects to be attached to the book holder 410. the position of the clip arm 74a, 74b along the clip body 78 can be selectively fixed by a screw 415.

Fig. 8 as illustrated in the claimed drawing sheet page 4 of 4 and demonstrated In the embodiment of the specification page 4 and paragraph 6 for clarity.

“Referring to Fig.6 the head 79 is shown with two sets of clip arms, 74a, 74b each clip arm 74a and 74b is attached by fastener 81 which may be removable such as a screw. The arms 74 are thereby adjustably spaced from each other to adapt to resiliently clasp onto a mounting portion of the mobile vehicle. (not shown).”

MOUNTING THE BASE

Gentlemen, Fig.6, page 4. paragraph 3, of the specification teach the mechanical configuration of the note book holder, see Fig.4, illustrated in page 3 of 4 of the claimed drawing sheets, Fig.6 of the specification teaching the clip arm 74a and 74b in a gripping position can be configured in another adjusting position, the clasps 74a and 74b strength from their gripping position, and 79 mechanical configured 81 into mounting position for the book holder, as mentioned in Fig.6 the mechanical

The above mention mounting base would look like the illustrated Fig.8 in page 4 of 4 in the claimed drawing sheet when completed and ready to mounted in a mobile vehicle. (eg. Car, train and baot) see Fig.8, page 4 of 4 in the claimed drawing sheet.

NUMBER 05

PAGE 1 OF 8

To illustrate the process of the construction and engineering of the note book, again using the claimed drawing, to answer the defendant concern where in the specification to find definition of the claimed drawing in clarity without deviating from the claim. Fig.4 in sheet 3 of 4, Fig.4 as illustrated in page 3, illustrate a book holder 410.

The platform 412 is mechanically assemble to the upper structure, the platform will be structurally sound, and proportional in size and dimension to the electronic system it is/was intended to support and a lockable clip locking the note book firmly in place. Again see Fig.4 in sheet 3 of 4 of the claimed drawing. It is 20 a side view of the support platform.

“The book platform 12 may also be used to support such item as audio/video equipment, PDAs, mobile phones, cameras, computers, musical instruments, toys, puzzle, and games. The panel 16 may be provided with a set of mounting positions for receiving and /or mounting the above item”. See page 5, paragraph 3 of the specification

from the underline words, it teach that the note book can be separated and configure in parts to support the brands or makes of the technologies it specially assembled to support. Again the drawing in claim 1, 4 drawing sheets, teach as illustrated in claim 1 and explain in the embodiment, page 5, paragraph 3 of the specification. And page 5, paragraph 3 of the specification also recognize the different in makes, models and brand of vehicles as it explain the assembling method, “The book platform 12 may also be used to support such items as audio/video equipment, Pads, or mobile phones, cameras, computers, musical instruments, toys, puzzles, and games. The panel 16 may be provided with a set of mounting positions for receiving and /or mounting the above items (not shown).”

WRITIG AND READING, GAME PLAYING, ENTERTAINMENTS CAPABILITY

This can be seen in the like of HD TV, Plasma and various new audio / video technologies today, there durability, and portability, screen size, weight, multi task, touch screens, GPS, capabilities has made them ideal entertainment for a protective mobile vehicle use. It has flash drive capability, the new HD TVs have USB port (s)

Web browser or navigating the internet is a new capability of the new TV, the like of HD quality 720p resolution have capability of computers, the like of TV HD 720p resolution can be physically install internet like a PC by cable input VGA, keno the new HD TV is equipped with components which like note book can access and receive and or link to WI FI, this wireless internet can be from a note book wireless connection or and cell phone, or through a wireless device plugged in USB HD TV input.

As a result of this new and improved flat screen HD TV computer capability, mobile vehicles with HD TVs browse, can use the screen as a wider screen to write and post in twitter, e-mail, face book, games like Wii, sony play station, micro soft play station, share information, pictures etc via skype, cell phone key board or wireless key board could be use in writing.

EXAMPLE OF A MECHANICAL CONFIGURATION

In using the 12 platform, configure a frame enclosure for the flat screen, 22a and 22b the frame will enable mechanical coupling using 22c, and 22b side clips, and or brackets, nuts, clamps and screws, other mechanical configuration to install 12 to a skeleton 104 inside a colum of a car seat and simply couple the framed 12 HD or Plasma TV on to the inside 79 (skeleton) structure of the mobile car seat, the screen facing the user at the back, finally cover the structure with leather, leatherette, plastic, and cloth also expose the screen.

As illustrated in Fig. 8, page 4 of 4 of the drawing sheets and claimed, a base. For clarity, the embodiment of page 4 of the specification, paragraph 4 and Fig. 7 teach the mechanical configuration of the base in Fig. 8, page 4 of 4 of the drawing sheets.

“Referring to fig.7 a clip arm 74 is shown comprising a flex section 103, a base 102 and a tip 107. The base 102 has one or more holes 109 formed therein for aligning with a hole on the clip head 79 to accommodate attaching the clip arm 74a to the clip head 79 by screw, rivet, or other mechanical fastener 81. The clip arms 74a, and 74b are attached to the clip head 79 in a C relation (fig.6) to form adjustable clasp 15. The flex section 103 allows the tip 107 to deflect from its rest position to accommodate the portion of the vehicle to be attached to be disposed between the clip arms 74a, 74b. The resilient material of the lip arms 74a, 74b and 74a 74b to bear against the vehicle to removably attach the book holder 10 to the vehicle (not shown). Tip 107 may also have holes 109

formed therein for alternate configurations on head 79 (fig. 6) or alternate attachment method" the method of the base as explain in this paragraph teach that the base was mechanically configure from a solid floor base for some other makes and models of a vehicles that carries the like audio visual and other read and write technologies.

Fig. 8 in page 4 of 4 of the drawing pages, illustrated in the embodiment high lighted above is a base, in a different vehicle as the designed have shown below, the clasp clip or the clasps 74a and 74b was mechanically 81 configured to bear on the floor for firm and balance mount of book holder 10.

Fed. R Of Civ. P. 8 (a)(2). Twombly and Igbal

The Judges institute this legal standard, "plaintiff must plead a valid cause of action base on facts (not conclusions)

The mechanically configured 79 hanger (Fig.8), would be mechanically attached to 74a and 74b the vehicle's seat cut-out leather exterior and attached inside the open car seat Colum, for the hanger 22a and 22b to be stable and strong to support flat TV Plasma in the tight space of a car seat Colum, 106 (Fig.8) to provide a mounting position for the flat TV, the hanger (base, Fig 8) will be coupled at 22a and 22b each end with a set of clip, or clip arm. If possible or necessary other tighten mechanism may be applied, like clamps, brackets, nuts, bolts, screws etc. until the 106 the hanger is structurally stable and 6 capable of holding the electronic 12 in position suitable to the user. Like mention above, the process of installing the flat TV is demonstrated again below.

In using the 12 platform, configure a frame enclosure for the flat screen, 74a and 74b the frame will enable mechanical coupling using 74a, and 74b side clips, and or brackets, nuts, clamps and screws, other mechanical configuration to install 12 the flat TV on to the skeleton (Fig. 8) 79 inside a car seat Colum and simply couple 81 the framed 12 HD or Plasma TV on to the inside 79 hanger (skeleton) structure of the mobile car seat Colum, the screen facing the user at the back, finally cover the cut-out leather structure with leather, leatherette, plastic, and cloth but expose the flat TV screen. AU 2003231638, page 15, paragraph 13; 14, 15, 16, and page 16, paragraph 25 of the claims.

A note book holder assembly for use by a person in a protective or and mobile structure such as a car, train, plain, boat wheelchairs etc. mechanical configuration requirements for tooling and technologies varies among this vehicles, string

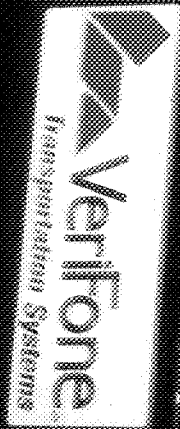
requirement for audio visual and camera holder by companies, organizations like caregivers, service groups, energy and mining companies will defer. US 7,152,840 and AU 2003231638 was written that it covers all this various industrial demand for revolutionized a mobile configured note and or audio / video.

US 7,152,840 and AU 2003231638 recognized the classifications and needs of occupants mobile vehicles and their environment in designing and configuration of the mobile audio visual and or book holder, special requirements for configuration of mobile camera or note books from those physically challenged to those in outdoor environment and bound on their vehicles (worker) to learn, query, share information, diagnose and repair on the field.

Gentlemen, with the same mechanical configuration discussed above, and or slightly adjustment, or modernification the flat screen HD TV and or cameras can be mounted on other parts of a vehicle, like partitions in a vehicle, it can be hanged or hooked upon the ceiling, attached between the partition and seat, between the partition and the vehicle's ceiling, or installed in the vehicle doors, or dash board.

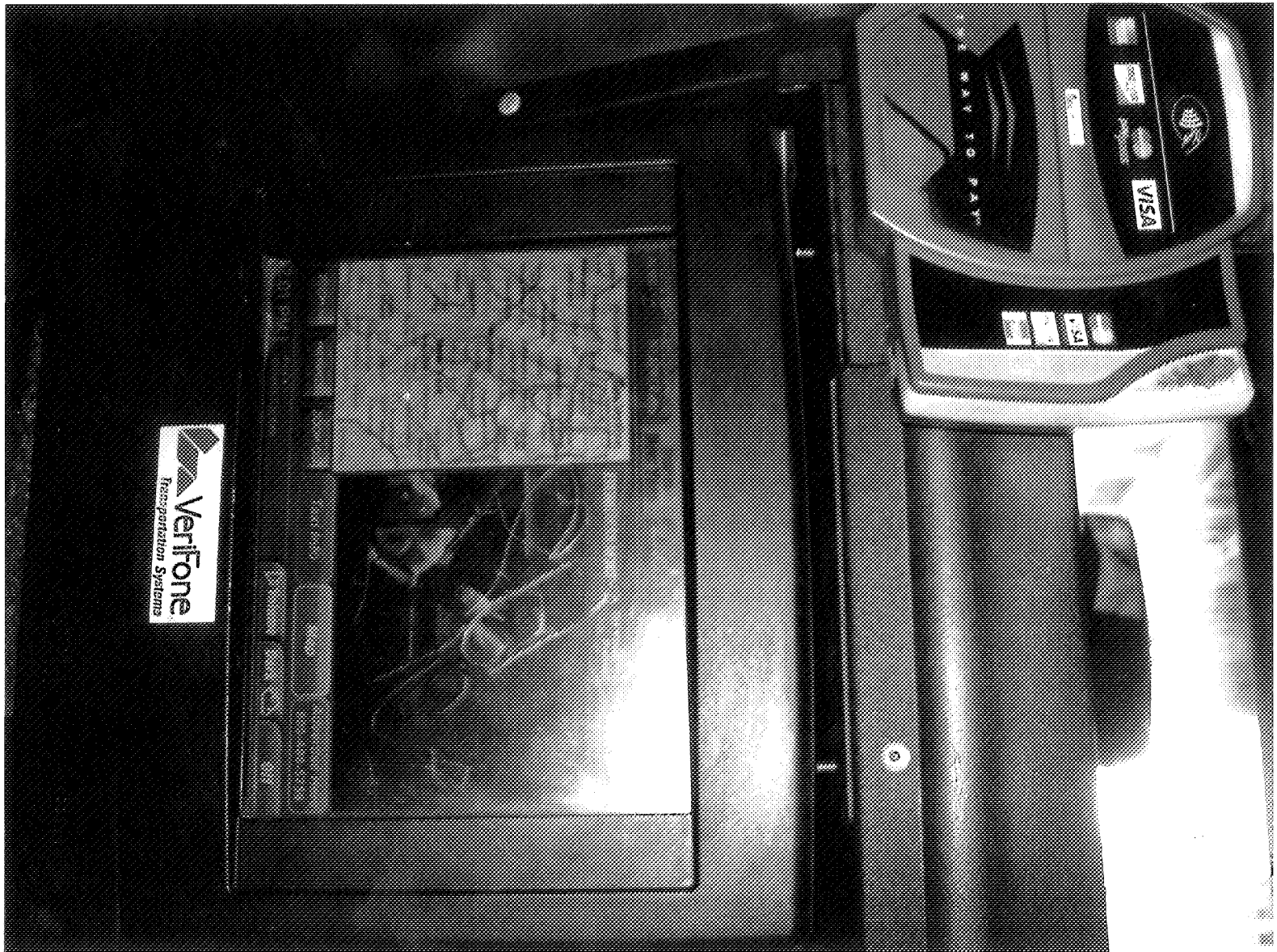
NUMBER 15

PAGE 5 OF 8





DRIVERS ARE NOT
PERMITTED TO USE
HAND-HELD HANDS
FREE CELL PHONES
WHILE DRIVING.



NUMBRR 05
PgRS 1 TO 3



US007152840B2

(12) **United States Patent**
Ottah et al.

(10) **Patent No.:** US 7,152,840 B2
 (45) **Date of Patent:** Dec. 26, 2006

(54) **BOOK HOLDER**

(76) **Inventors:** Chikezie Ottah, 1035 Clarkson Ave., Apt 5a, Brooklyn, NY (US) 11212; Chineye Ottah, 4th Ave #6, TransEklu, GRA, Enugu State (NG); Kenneth Ottah, 4th Ave #6, TransEklu, GRA, Enugu State (NG)

(*) **Notice:** Subject to any disclaimer, the term of this patent is extended or adjusted under 35 U.S.C. 154(b) by 0 days.

(21) **Appl. No.:** 10/366,779

(22) **Filed:** Apr. 24, 2003

(65) **Prior Publication Data**

US 2004/0214154 A1 Oct. 28, 2004

(51) **Int. Cl.**
 A47B 5/04 (2006.01)

(52) **U.S. Cl.** 248/444.1

(58) **Field of Classification Search** 434/179, 434/308, 309, 317, 322, 365, 428, 430, 432; 248/441.1, 444, 445, 448, 449, 450, 451, 248/454, 458

See application file for complete search history.

(56) **References Cited**

U.S. PATENT DOCUMENTS

1,377,230 A *	5/1921	Taylor	248/454
2,439,950 A *	4/1948	Rogers	248/447
2,627,694 A *	2/1953	Saecker	248/447
3,351,312 A *	11/1967	Ballas	248/448
3,408,032 A *	10/1968	Francis	248/450
3,497,882 A *	3/1970	Weeks	482/148

4,021,013 A *	5/1977	Wiersma	248/453
4,431,156 A *	2/1984	Mena	248/445
4,553,728 A *	11/1985	Corsello	248/452
4,591,124 A *	5/1986	Hellenbrand et al.	248/447.2
4,790,506 A *	12/1988	Malinowski et al.	248/441.1
4,867,407 A *	9/1989	Becker	248/444.1
5,054,736 A *	10/1991	Champoux	248/444
5,059,149 A *	10/1991	Stone	446/73
5,460,102 A *	10/1995	Pasmanick	108/43
5,595,489 A *	1/1997	Kwon	434/319
5,615,856 A *	4/1997	Simington	248/452
5,709,365 A *	1/1998	Howard	248/454
5,755,423 A *	5/1998	Michela	248/459
5,855,329 A *	1/1999	Pagano	248/451
5,884,888 A *	3/1999	Grimés et al.	248/441.1
6,045,179 A *	4/2000	Harrison	297/188.2
6,064,855 A *	5/2000	Ho	434/317
6,202,973 B1 *	3/2001	Navarín et al.	248/444

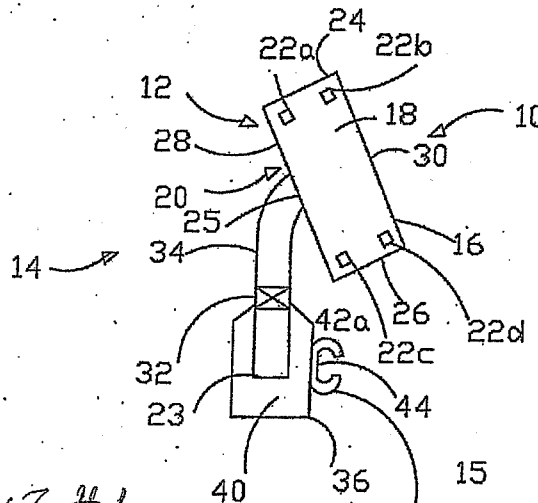
* cited by examiner

Primary Examiner—Kurt Fernstrom
 (74) *Attorney, Agent, or Firm*—James D. Palmatier; Applied Patent Services

(57) **ABSTRACT**

A book holder removably attachable to a vehicle or structure such as a stroller, walker, wheelchair or car seat for mobile applications. The book holder for holding a book or drawing surface in a usable position thereon for by the occupant of the vehicle. The book holder comprising an adjustable clasp on the vehicle, an arm extending to a book platform, the arm providing rotational pivotal and axial adjustment to hold the platform in spaced relation to the clasp. A plurality of spring biased clamps on the platform to secure the book to the book holder.

1 Claim, 4 Drawing Sheets



ATTACH Document #1

NUMBER 06

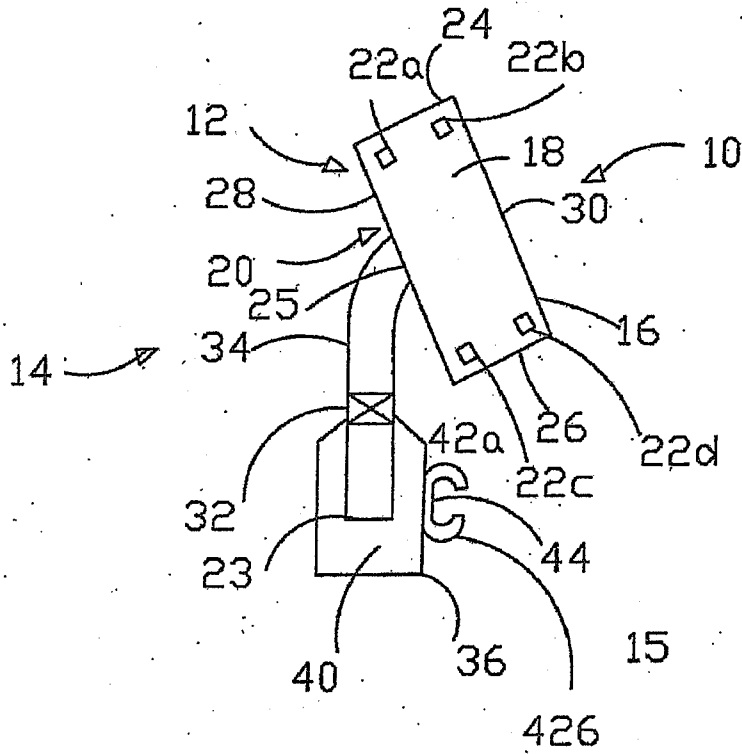


Fig. 1

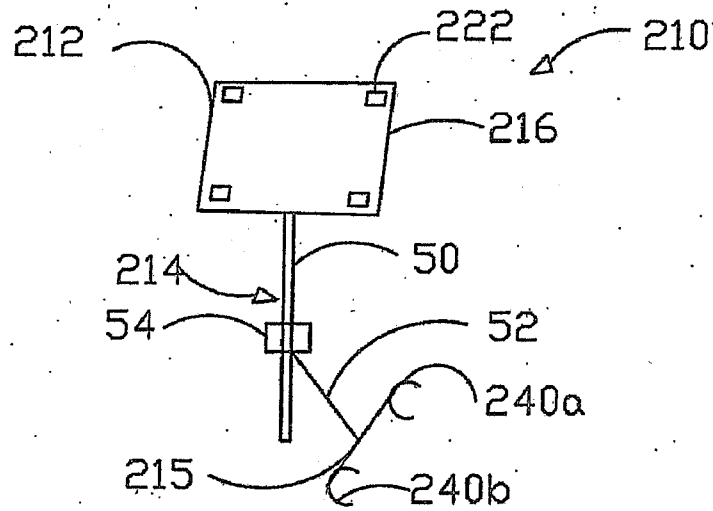


Fig. 2

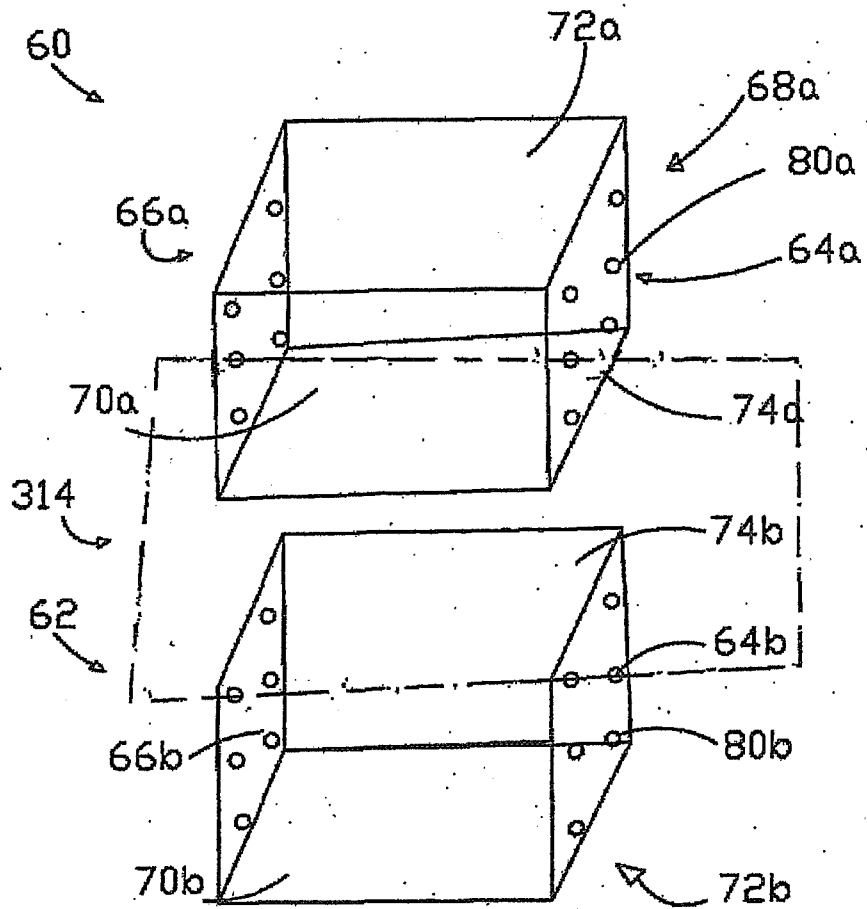


Fig. 3

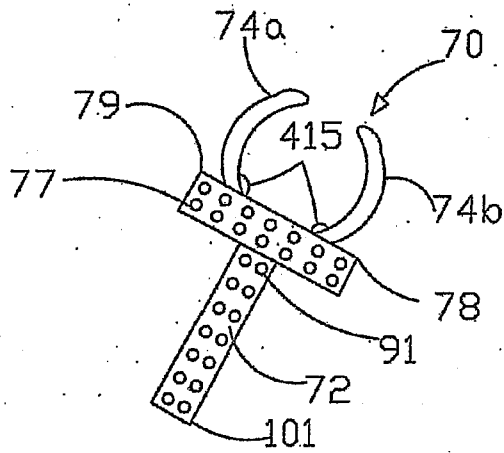


Fig. 5

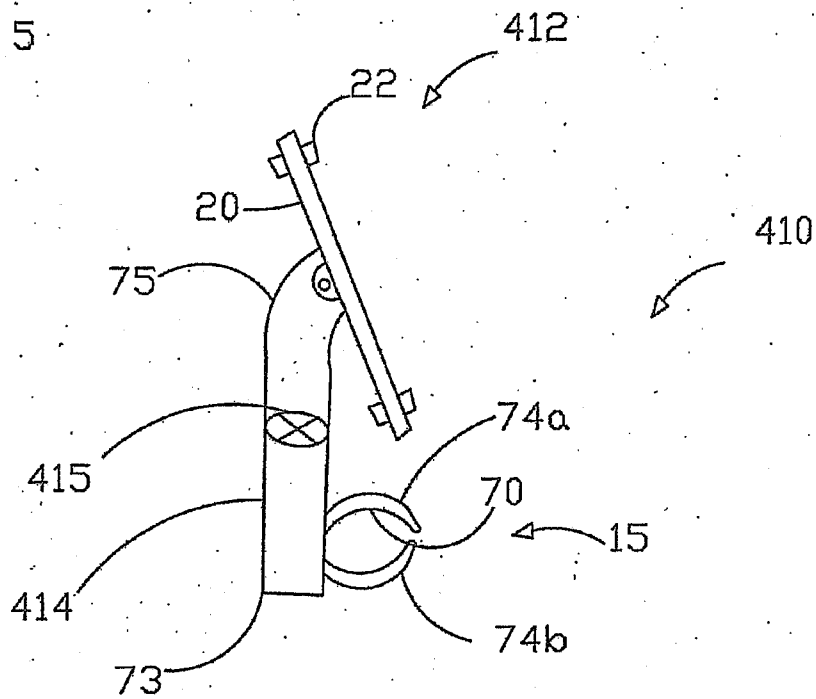


Fig. 4

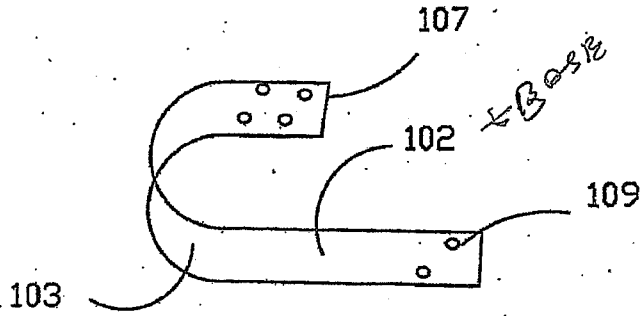


Fig. 7

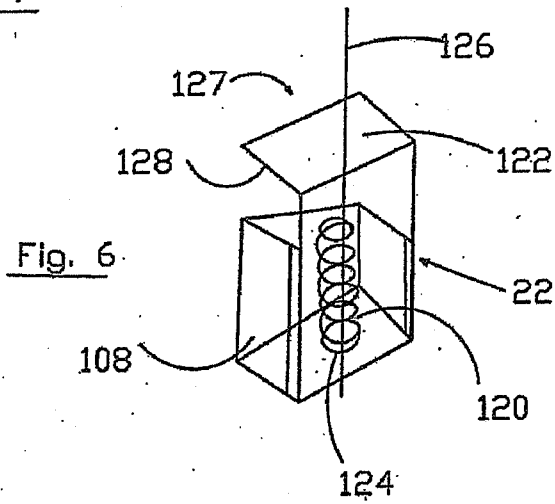


Fig. 6

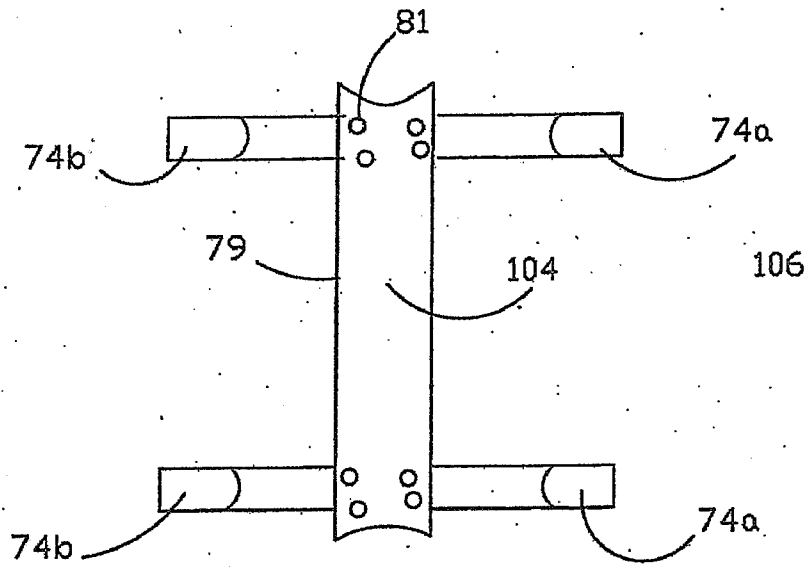


Fig. 8

US 7,152,840 B2

1

BOOK HOLDER**BACKGROUND OF THE INVENTION****1. Field of the Invention**

The present invention relates generally to a removable book holder assembly for use by a person in a protective or mobile structure such as a car seat, wheelchair, walker, or stroller. The Book holder having an adjustable, releasable clipping means and a support arm configured for axial, rotational and pivotal adjustment of the book supporting surface of the book holder to hold a book in a readable position in front of the user.

2. Description of the Related Art

The prior art of book holders comprises a variety of devices for supporting a book on a platform in a position for viewing or reading. A conventional book holder includes a supporting structure for supporting the book support on a table. The platform is supported by a table or other such flat structure as seen in the Michela U.S. Pat. No. 5,755,423 for a FOLDING PORTABLE SUPPORT STAND, wherein a device is disclosed comprising hinged covers folding into a support structure for holding a book in the open position on a flat horizontal surface.

The prior art also discloses structures built around the person to hold a book in useful relation such as the ADJUSTABLE BOOK HOLDER in U.S. Pat. No. 6,202,973 to Navarin et al. In the '973 patent a structure is disclosed for holding a book in a readable position on a structure attachable to the reader's torso. The Weeks U.S. Pat. No. 3,497,882 for SUPPORT MECHANISM FOR SUPPORTING VARIOUS DEVICES TO BE EMPLOYED IN COOPERATION WITH A HOSPITAL BED likewise discloses a support structure disposed over the bed and a book holder slidably mounted on the support structure for holding the book in reading position while the reader is lying in bed.

The Wiersma U.S. Pat. No. 4,201,013 for a BOOK HOLDING DEVICE discloses a detachable device for use on a bed to suspend a book holder from over the reader's head. The Wiersma device is clamped to a headboard of a bed using C-clamps.

The book holders disclosed in the prior art suffer from a number of disadvantages. In particular, such book holders include do not provide an adequate solution for young children or mobility limited adults. These people spend a significant amount of their time outdoors (e.g., parks, beaches, playground, theme parks, etc) and conventional book holders are primarily designed for indoor use. The book holders in the prior art lack the ease of application to a mobile vehicle such as a wheelchair or stroller to allow the reader to have mobility to explore their environment in a stationary sitting or reclining position while reading a book supported on the mobile vehicle. As a result, the learning benefits are significantly reduced.

The prior art does not accommodate easy and quick attaching the book support onto a structure for mobile use. Thus there is a need for an improved Book Holder that is quickly and easily clipped to a mobile vehicle such as a wheelchair or stroller for holding the book in a reading position in spaced relation to the clip.

SUMMARY OF THE INVENTION

It is an object of the present invention to provide a book holder that can be easily and removably attached to and removed from a bar or portion of the mobile vehicle without tools.

2

It is an object of the present invention to provide an adjustable clasp for attaching the book holder to the mobile vehicle to easily and quickly attach or detach the book holder.

It is further object of the present invention to provide an arm between the clasp and the book support platform to hold the book in spaced relation from the clip.

It is another object of the present invention to provide a pivotal attachment between the clasp and the support platform to hold the book on the support platform at a selected angle with respect to the reader for ease of viewing.

It is another object of the present invention to provide a telescoping arm between the clasp and the book support platform to axially adjust the position of the support platform with respect to the clasp to position the platform in a position for ease of viewing by the reader.

It is another object of the present invention to provide a book holder having an elongate arm with a rotational adjustment to rotate the position of the support platform with respect to the clasp to a position for ease of viewing by the reader.

It is another object of the present invention to provide a clasp comprising a clip having an adjustable, resilient arm for removably attaching to a mounting structure on the mobile vehicle.

It is another object of the present invention to provide a locking means on the book holder to retain the rotational, pivotal and axial position of the support platform with respect to the clasp.

It is another object of the present invention to provide a support platform adaptable for use as a writing board.

It is another object of the present invention to provide a connector means for removably securing a book to the book holder in a reading position.

BRIEF DESCRIPTION OF THE DRAWINGS

FIG. 1 is a perspective view of a book holder showing a first embodiment of the present invention;

FIG. 2 is a schematic view of a book holder according to a second embodiment of the present invention;

FIG. 3 is an exploded view of a book holder illustrating the square telescoping arm;

FIG. 4 is a side perspective view of the book holder of FIG. 1 illustrating an alternative clip arrangement;

FIG. 5 is a perspective view of an adjustable clip;

FIG. 6 is a perspective view of a book clamp.

FIG. 7 is a perspective view of a clip arm.

FIG. 8 is an elevation view of a plurality of clip arms from FIG. 7 on the clasp for releasable attachment of the book holder to a mobile vehicle.

DETAILED DESCRIPTION OF THE INVENTION

Referring to FIG. 1 there is illustrated a book holder assembly 10 according to the first embodiment of present invention. The book holder 10 comprises a book platform 12 and an adjustable arm 14 and a clasp 15. The book platform 12 includes a generally planar panel 16 having a front 18 and a rear surface 20. The front surface 18 is configured to hold a book or suitable for use as a writing/drawing board (eg a white-board, a blackboard, an electronic board). The rear surface 20 of the book platform 12 is attached to the adjustable support arm 14 at angle suitable for reading. The book platform 12 can be integrally formed with the support arm 14 such that the support arm 14 forms a portion of the

US 7,152,840 B2

3

book support protrudes from the rear surface 20 of the panel 16. Preferably, though the supporting arm 14 and the book platform 12 are provided as separate items to be assembled by the user.

Mounted to the front surface 18 of panel 16 are two pairs of spring biased book clamps 22 for securing a book (not shown) to the book holder 10. The first pair of spring biased book clamps 22a, 22b is located near the top edge 24. The second pair of spring biased book clamps 22c, 22d is located near the bottom edge 26.

Continuing to refer to FIG. 1 the panel 16 may be made of plastic and the book clamps 22 made of steel covered by plastic. However, other materials such as wood, metal, etc, and combination thereof may be used in the manufacturing of the book holder assembly 10.

The arm 14 comprises a first end 23 and second end 25. The clasp 15 is on the first end 23. The second end 25 is a spaced from the first end 23. The second end 25 is adjustably attached to the book platform 12. The arm 14 includes a telescoping arrangement 32 in which an upper support portion 34 of the support arm 14 slides within a lower support portion 36 and is held at a selected position by a locking member 55 (FIG. 2). The lower support portion 36 of the support arm 14 is attached to the clasp 15. The clasp 15 comprises one or more clips 40 for removably attaching the book holder 10 to the mobile vehicle (not shown).

The clips 40 are adjustable in shape and size to fit the shape and size of the supporting frame member on the mobile vehicle (not shown). The clips 40 comprise a pair of resilient C-shaped clip arms 42 adjustably attached to the clip 40. The first clip arm 42a is spaced from the second clip arm 42b in order to tightly retain the supporting frame member of the mobile vehicle (not shown) therebetween. To secure the book holder 10, the user forces the clip arms 42a and 42b apart to allow the frame member to slip between the clip arms 42a, 42b. The clip arms 42a, 42b then snap resiliently together to hold the book holder 10 to the frame member (not shown) of the mobile vehicle (not shown).

Referring to FIG. 2, the book holder 210 comprises a book support platform 212, a generally planar panel 216, a support arm 214 and a dual clasp 215. The support arm 214 comprises a support member 50 extending from the middle section of the panel 216, an elongate arm 52 and an adjustable angle mount 54. The angle mount 54 connects the support member 50 to the elongate arm 52 to hold the panel 216 in spaced relation to the clasp 215. The angle mount 54 comprises locking member 55 to hold the panel 216 and clasp 215 in the user selected position. The angle mount 54 allows the panel 216 to be adjusted both axially and rotationally with respect to the clasp 215. The book support 212 may be pivotally mounted (FIG. 4) to the support member 50 to allow the panel 216 to be pivoted with respect to the support member 50.

Continuing to refer to FIG. 2, the dual clasp 215 comprises a clip bar 238 and a pair of clips 240 attached to the clip bar 238. The clips 240 are spaced from each other to provide a secure attachment to the mobile vehicle (not shown). As a result, the book holder 210 of FIG. 2 is adjustable for height and rotation and pivotal angle with respect to the clasp 215.

Referring now to FIG. 3 an alternative support arm 314 comprises concentrically mounted, square tube members 60, 62. The open box-shaped male member 60 is adapted to attach to a book support platform (12, FIG. 1) on one end and slidably insert into member 62 with the other end. The male member 60 is adapted for separable, concentric inter-connection with the female member 62 to form a telescoping

4

arrangement for axial adjustment of the spaced relational distance between the book support 312 and the female member 62. The male member 60 comprises a front portion 64a, a back portion 66a, a pair of side portions 68a and 70a, a lower portion 72a, and a top 74a. The side portions 68a and 70a of the male member 60 have holes 80a formed in a pattern therein. The top 74a is adapted to attach to the book support (12, FIG. 1). The female member 62 comprises a front portion 66b, a back portion 66b, a pair of side portions 68b and 70b, a lower portion 72b, and an open top 74b. The side portions 64b and 66b of the male member 62 have holes 80b formed therein for concentric alignment with the holes 80a in the male member 60. The lower portion 72b is adapted to attach to the clasp 15. The male member 60 fits slidably into the female member 62 such that at least one hole 80a in the side wall 64a of male member 60 is concentrically aligned with a hole 80b in the adjacent side wall 64b of the female member 62 at a predetermined position to axially space the clasp 15 from the book support (12, FIG. 1). The user then fixes the male member 60 to the female member 62 by connector means (not shown).

FIG. 4 illustrates a book holder 410 comprising a book support 412 and a support arm 414. The support arm 414 comprises a clasp 15, a lower section 73 and an upper section 75. The clasp 15 comprises an adjustable clip 70 mounted on the lower section 73. The adjustable clip 70 is rotatable with respect to the arm 414 to removably attach the book holder 410 to a vertical or horizontal object (eg, a pole) (not shown) on the mobile vehicle. The arm connector 415 rotatably and slidably attaches the lower section 73 of the supporting arm 414 to the upper section 75. The upper section 75 has pivotal connector 420 (FIG. 4) on the book support 412. The clip 70 has adjustable clip arms 74a, 74b to allow different sizes of objects to be attached to the book holder 410. The position of the clip arms 74a, 74b along the clip body 78 can be selectively fixed by a screw 415.

Referring to FIG. 5, the clasp 15 includes a clip body 101 and a pair of clip arms 74a, 74b extending from the clip body 101. The clip 70 comprises a clip head 79 having a plurality of holes 77 fastener. The clip arms 74a, 74b are mounted on the clip head 79 in spaced relation to securely and removably attach the book holder 410 (FIG. 4) to the mobile vehicle (not shown). The body 101 of the clip 70 may have a plurality of holes 91 formed therein in spaced relation to each other for adjustable connection of the clip 70 to the arm 414 (FIG. 4). Each clip arm is attached to the clip body in one of several selectable positions along said clip body. Preferably, the clip 70 includes a clip body 101 on the arm 414, a clip head 79 on the clip body 101 and a plurality of clip arms 74a, 74b removably attached to the clip head 79. A screw 415 or other fastener is removably attached to the clip head 79 for selectively fixing the position of said clip arm along said clip body. The clip means may alternatively be a spring clip or include at least one resilient clip arm.

Referring to FIG. 6 the head 79 is shown with two sets of clip arms 74a, 74b. Each clip arm 74a and 74b is attached by fastener 81 which may be removable such as a screw. The arms 74 are thereby adjustably spaced from each other to adapt to resiliently clasping onto a mounting portion of the mobile vehicle (not shown).

Referring to FIG. 7 a clip arm 74 is shown comprising a flex section 103, a base 102 and a tip 107. The base 102 has one or more holes 109 formed therein for aligning with a hole on the clip head 79 to accommodate attaching the clip arm 74a to the clip head 79 by screw, rivet or other mechanical fastener 81. The clip arms 74a, 74b are attached to the clip head 79 in a C relation (FIG. 6) to form adjustable

US 7,152,840 B2

5

clasp 15. The flex section 103 allows the tip 107 to deflect from its rest position to accommodate the portion of the vehicle to be attached to be disposed between the clip arms 74a, 74b. The resilient material of the lip arms 74a, 74b urges the tip 107 back to the rest position causing the clip arm 74a, 74b to bear against the vehicle to removably attach the book holder 10 to the vehicle (not shown). Tip 107 may also have holes 109 formed therein for alternate configurations on head 79 (FIG. 6) or alternate attachment methods.

Referring to FIG. 8, a book clamp 22 comprising a body 108, a spring 120 and a slidable grip 122. The slidable grip 122 is slidably mounted to the body 108. The spring 120 has a first end 124 on the body 108 and a second end 126 on the grip 122 to urge the grip in the clamped position 127. The book clamp 22 is mounted to the panel 16 having the grip 122 extending from the front surface 18 for engaging a book or other device to be retained on the book holder 10. The spring 129 and slidable attachment between the grip 122 and the clamp body 108 allow the grip to be moved into position to engage the book with the finger portion 128 of the grip 122. The spring 120 bears against the grip 122 to hold the book against the front surface 18 thereby securing the book (not shown) to the book holder 10.

In use, the book holder 10 is attached to the vehicle (not shown) by use of the clasp 15. The clasp 15 is rotationally adjusted on the support structure on the vehicle to begin the book holder 10 adjustment to a usable position. The telescoping mechanism in the arm 14 is used to axially adjust the spacing between the clasp 15 and the support platform 12. The rotational coupling between the first end of the arm 14 and the second end of the arm is used to rotate the support platform around the axis of the arm 14 to an operable position. Lastly, the pivotal connection 420 (FIG. 4) between the arm 14 and the support platform 12.

The book platform 12 may also be used to support such items as audio/video equipment, PDAs, or mobile phones, cameras, computers, musical instruments, toys, puzzles and games. The panel 16 may be provided with a set of mounting positions for receiving and/or mounting the above items (NOT SHOWN).

6

Although the invention has been described above in connection with particular embodiments and examples, it will be appreciated by those skilled in the art that the invention is not necessarily so limited, and that numerous other embodiments, examples, uses, modifications and departures from the embodiments, examples and uses are intended to be encompassed by the claims attached hereto. The entire disclosure of each patent and publication cited herein is incorporated by reference, as if each such patent or publication were individually incorporated by reference herein.

We claim:

1. A book holder for removable attachment, the book holder comprising:
 - a book support platform, the book support platform comprising a front surface, a rear surface and a plurality of clamps, the front surface adapted for supporting a book, the plurality of clamps disposed on the front surface to engage and retain the book to the book support platform, the rear surface separated from the front surface;
 - a clasp comprising a clip head, a clip body and a pair of resilient clip arms, the clip arms adjustably mounted on the clip head, the clip head attached to the clip body; and
 - an arm comprising a first end and a second end and a telescoping arrangement, the clasp on the first end, the second end pivotally attached to the book support platform, the telescoping arrangement interconnecting the first end to the second end, the clasp spaced from the book support platform wherein the book holder is removably attached and adjusted to a reading position by the telescoping arrangement axially adjusting the spaced relation between the book support platform and the clasp and the pivotal connection on the book support platform pivotally adjusting the front surface with respect to the arm.

(12) STANDARD PATENT
(19) AUSTRALIAN PATENT OFFICE

(11) Application No. **AU 2003231638 B2**

(54) Title
Book Holder

(51) International Patent Classification(s)
B42D 17/00 (2006.01) **B42D 9/00** (2006.01)
A47B 23/00 (2006.01)

(21) Application No: **2003231638** (22) Date of Filing: **2003.08.07**

(30) Priority Data

(31) Number	(32) Date	(33) Country
2002950719	2002.08.07	AU

(43) Publication Date: **2004.02.26**

(43) Publication Journal Date: **2004.02.26**

(44) Accepted Journal Date: **2009.12.10**

(71) Applicant(s)
Chikezie Ottah;Chineye Ottah;Chika Ottah;Kenneth Ottah

(72) Inventor(s)
Ottah, Chika;Ottah, Chikezie;Ottah, Kenneth;Ottah, Chineye

(74) Agent / Attorney
Halfords IP, 1 Market Street, Sydney, NSW, 2000

(56) Related Art
US 4431156
US 6202973
US 4021013

NUMBER 07

ABSTRACT

5

A book holder (10) includes a book support platform (12) and a supporting structure (14) including a telescoping member. The supporting structure (14) is provided with clip means (40) for clipping the book holder (10) to an object (eg, a stroller, a wheelchair, a picnic table, etc).

10

Fig. 1

1/12

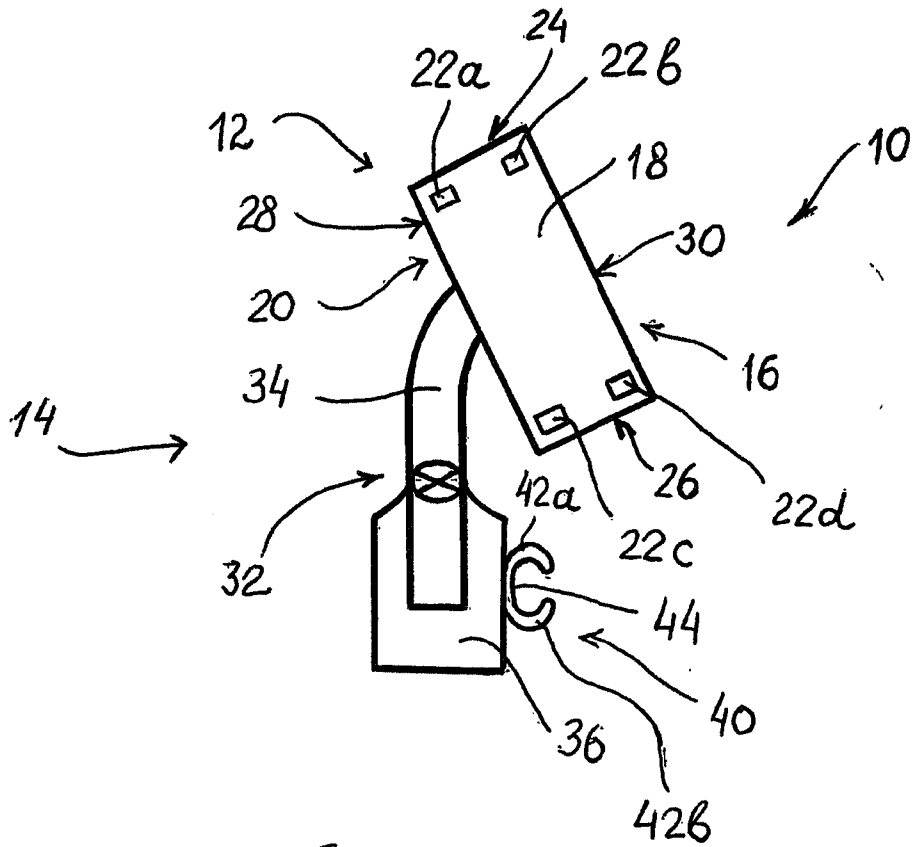


Fig. 1

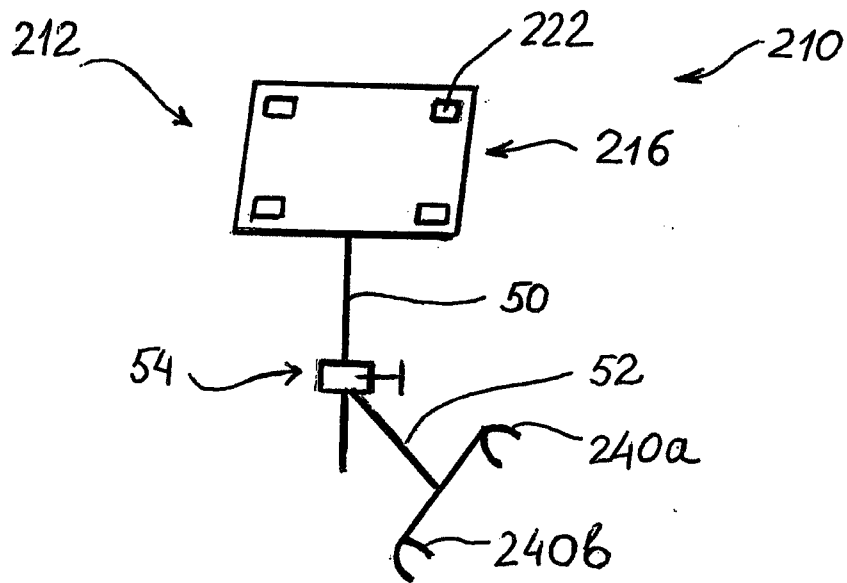


Fig. 2

2003231638 11 Nov 2009

AUSTRALIA

Patents Act 1990

COMPLETE SPECIFICATION – STANDARD PATENT

BOOK HOLDER

5

TECHNICAL FIELD

The present invention relates generally to book holder assemblies, and more particularly to an adjustable book holder which can be used by children or
10 handicapped persons.

BACKGROUND ART

Conventionally, a book holder includes a book support against which the cover of the
15 book rests and a supporting stand for supporting the book support on the floor of a room. Alternatively, a conventional book holder includes a supporting structure for supporting the book support on a table. Such book holders suffer from a number of disadvantages. In particular, such book holders do not provide an adequate solution for young children. Whilst young children spend a significant amount of their time
20 outdoors (eg. parks, beaches, playgrounds, theme parks, etc), conventional book holders are primarily designed for indoor use.

Therefore such book holders do not provide young children with adequate mobility to explore their environment because the child is in a stationary position unable, for
25 example, to compare the pictures of animals in his/her book to real life animals in the zoo. As a result, the learning benefits are significantly reduced.

SUMMARY OF THE INVENTION

The present invention aims to address one or more of these deficiencies by providing
30 an new, alternative book holder and method for learning which overcomes or ameliorates the disadvantages of the prior art, or at least provides a useful choice.

2003231638 11 Nov 2009

2

In one form, the invention provides a book holder assembly for removable attachment. The book holder assembly includes: a book platform, an arm (or supporting structure) with clips. The book platform has a front surface, a rear surface and a plurality of clamps, the front surface adapted for supporting a book or an item, the plurality of
5 clamps disposed on the front surface to engage and retain the book or the item to the book platform, the rear surface separated from the front surface. The arm comprising: an upper support portion, a telescoping arrangement and a lower support portion; wherein the upper support portion is pivotally attached to the book platform, the telescoping arrangement interconnecting the upper support platform to the lower
10 support portion with the lower support portion being spaced apart from the book platform. The lower support portion includes a clip means of: a clip body and a pair of resilient clip arms, the clip arms adjustably mounted on the clip body.

The book holder assembly is removably attached and adjusted to a reading position by
15 the telescoping arrangement axially adjusting the spaced relation between the book platform and the lower support portion and the pivotal connection on the book platform pivotally adjusting the front surface with respect to the arm.

Preferably the telescoping arrangement includes a first and second open box-shaped
20 members, said first member being slidably mounted in said second member, and locking means for positioning said first member in said second member in one of several selectable positions and wherein said clip means are mounted to said second member. Optionally the clip arm being fixed to said clip body in one of several selectable positions along said clip body. Optionally the clamps are adjustable.

25
Preferably the book platform includes a portion adapted to be used as a writing board and / or has a set of mounting positions for receiving and/or mounting an item. Where the item includes any one of: a stimulant for learning, an activity board, a writing board, a drawing board, a whiteboard, a blackboard, an electronic board, audio/video
30 equipment, a mobile or cell telephone, a camera, a computer, DPAs, a musical instrument, a toy, a puzzle, a board game and elements of said preceding items.

2003231638 11 Nov 2009

Preferably the clip means removably attaches said book holder assembly to a supporting frame member of an object. Where the object includes any one of: a pram, a stroller, a bed, a chair, a picnic table, a car seat or a wheelchair.

- 5 Optionally the arm or lower support portion includes an electronic device. Where the electronic device includes a motor or a remote control used to control or move one or more of said arm or said book platform. Furthermore the electronic device is further adapted for manual movement or adjustment of any part of the book holder assembly.
- 10 A further form of the invention provides a method for learning as provided for by a book holder assembly described herein. The learning includes learning skills of any one of reading, writing or recognition of symbols, colours, pictures or cartoon characters. Preferably the learning is provided for babies, pre-school children, school children or disabled individuals. The stimulant/s for learning includes: an activity
15 board, a writing board, a drawing board, a whiteboard, a blackboard, an electronic board, audio/video equipment, a mobile or cell telephone, a camera, a computer, DPAs, a musical instrument, a toy, a puzzle, a board game and elements of said preceding items
- 20 Further forms of the invention are as set out in the appended claims and as apparent from the description.

BRIEF DESCRIPTION OF THE DRAWINGS

- 25 Further embodiments of the invention will now be described by way of example only with reference to the following drawings:
 - FIG. 1 is a schematic exploded view of a book holder according to a first embodiment of the present invention;
 - FIG. 2 is a schematic perspective view of a book holder according to a second
30 embodiment of the present invention;
 - FIG. 3 is an exploded, perspective view of a book platform with a square telescoping arm from an embodiment of the present invention;

2003231638 11 Nov 2009

FIG. 4 is a schematic perspective view of a book holder according to a third embodiment of the present invention;

FIG.5 is a perspective view of an adjustable clip;

5 FIG.6 is a schematic exploded view of a book holder according to a fourth embodiment of the present invention;

FIG. 7 is a perspective view of a clip arm;

FIG. 8 is an elevation view of a plurality of clip arms, from FIG. 7, with a clip body to form a clip bracket;

FIG. 9 is a perspective view of a spring biased clamping means;

10 FIGS. 10 and 12 to 16 illustrate further embodiments of the present invention.

FIG 11 is a schematic perspective view of a book holder assembly with an electronic device that includes a motor and/or remote control.

FIG 17 is a schematic perspective view of a book holder assembly with a computer or electronic board, attached to a stroller.

15

DETAILED DESCRIPTION OF THE EMBODIMENTS

Referring to FIG. 1 there is illustrated a book holder assembly 10 according to the first embodiment of the present invention. The book holder assembly 10 includes a book platform 12 and an adjustable arm 14.

The book platform 12 includes a generally planar panel 16 having a front surface 18 and a rear surface 20. Mounted to the front surface 18 of the panel 16 are two pairs of spring biased book clamps 22a, 22b, 22c 22d - the first pair (22a, 22b) and the second pair (22c, 22d) - for removably securing a book (not shown) to the panel 16. The first pair of book clamps (22a, 22b) is located near the top edge 24 of the panel 16, while the second pair of book clamps (22c, 22d) is located near the bottom edge 26. The clamping members of the book clamps 22 are spring-biased into contact with the front and back covers of an open book.

30

In most cases only one pair of book clamps 22 will be sufficient to secure the book to the panel. However to prevent the book from swinging outwardly from the panel 16 it is desirable to provide two pairs of the book clamps 22.

5 Preferably, the location of the book clamps 22 is adjustable to allow different sizes of books to be accommodated. To this end the panel 16 may include a set of mounting positions for mounting the book clamps 22 (not shown).

Alternatively, the clamping elements of the book clamps 22 can include linearly
10 adjustable clamping elements mounted on X -Y oriented guide members (not shown).

It will also be appreciated by those skilled in the art that any other means for removably securing the book to the panel 16 can be used, eg. U-shaped spring clips, tabs, etc. Such attachment devices may be mounted to the rear surface 20 of the panel
15 16 and/or to the edges 24, 26, 28, 30 of the planar panel 16.

The book platform 12 may further include a page holder (not shown).

In a preferred embodiment of the present invention the panel 16 is made of plastic,
20 and the book clamps 22 are made of steel covered by plastic. However, any other materials such as wood, metal, etc, and combination thereof may be used in the manufacturing of the book holder assembly. Also, if so desired, the panel 16 can include a surface suitable for use as a writing/drawing board (eg, a whiteboard, a blackboard, an electronic board {for example see FIG 17}).

25 While the primary function of the book platform 12 is to hold a book, the book platform 12 may also be used to support such items as audio/video equipment, mobile phones, photo cameras, computers {for example see FIG 17}, DPAs, musical instruments, toys, puzzles, board games, etc and their elements. To this end the panel
30 16 may be provided with a set of mounting positions for receiving and/or mounting the above items (not shown).

2003231638 11 Nov 2009

2003231638 11 Nov 2009

The rear surface 20 of the book platform 12 is attached to the adjustable arm 14 at an angle suitable for reading. The book platform 12 can be integrally formed with the arm 14 such that the arm 14 forms a portion of the book platform 12 protruding from the rear surface 20 of the panel 16. Preferably, though, the arm 14 and the book platform 12 are provided as separate items to be assembled by the user.

The arm 14 includes a telescoping arrangement 32 in which an upper support portion 34 of the arm 14 slides within a lower support portion 36 and is held at a selected position by a locking member (not shown). The locking member can allow for adjustment of the upper support portion 34 both axially and rotationally.

The lower support portion 36 of the arm 14 includes one or more clips 40 for removably securing the book holder assembly 10 to an object, eg. a supporting frame member (not shown) of other supporting frame member structures such as a pram, a stroller, a bed, a chair, a picnic table, a wheelchair, etc. The book holder assembly applied to a pram / stroller / wheelchair is described below with respect to FIG 17.

The clip 40 may be formed as a C-shaped bracket extending across the lower support portion 36. The bracket includes a pair of clip arms 42a and 42b extending outwardly from the clip body 44 and adapted to clip onto a supporting frame member. To this end, at least one of the clip arms 42 is resiliently movable in a direction perpendicular to the longitudinal axis of the clip body 44, and the internal surfaces of the clip arms 42 are shaped to form an opening for receiving the frame member.

The clips 40 are shaped and sized to fit the shape and the size of the supporting frame member. Also, bolt-style clips may be used to secure the book holder assembly 10 to a supporting frame member. If desired, the lower support portion 36 of the book holder assembly 10 can include means for securing the book holder assembly 10 to a floor.

To secure the book holder assembly 10 to a supporting frame member the user forces the clip arms 42a and 42b apart to allow the C-shaped bracket to clear the supporting

2003231638 11 Nov 2009

frame member. The clip arms 42 then snap together to hold the book holder assembly 10 to the supporting frame member.

FIG. 2 illustrates an alternative embodiment of the present invention. The book support platform 212 is similar to the book platform 12 of FIG. 1 and includes a generally planar panel 216. Extending from the middle section of the panel 216 is a support member 50 mounted on an elongate arm 52 (or support structure) by means of a mount 54 which allows for adjustment of the member 50 both axially and rotationally. As a result, the book holder 210 of FIG. 2 is adjustable for height and rotation. The support member 50 and the panel 216 are connected at a suitable angle, preferably in the range from 90 to 180 degrees.

Similarly to the embodiment shown in FIG. 1, the elongate arm 52 is provided with one or more spring clips 240a, 240b for removably securing the book holder assembly 210 to an element of a supporting frame member.

The book support platform 212 may be pivotally mounted to the support member 50 to allow the book secured to the panel 216 to be rotated around its axis. To this end, the book holder assembly 210 can be provided with means for pivotal attachment (not shown) of the book support platform 212 to the support member 50.

It will be appreciated by those skilled in the art that the support member 50 and the mount 54 can be arranged as a telescoping arrangement in which the support member 50 slides within the mount 54 and is held at a selected position by a locking member (not shown), for example as described below with respect to FIG 3.

Referring now to FIG. 3, there are illustrated parts of a book holder assembly 310 according to an embodiment of the present invention.

Similarly to the embodiments of FIGS. 1 and 2, the book holder assembly 310 of FIG. 3 includes a book support platform 312 and part of an alternative support arm 314 (or support structure). The alternative arm 314 includes two open box-shaped members -

2003231638 11 Nov 2009

8

a male member 60 and a female member 62 - adapted for separable interconnection. Both the male member 60 and the female member 62 have a front portion 64a (66b), a back portion 66a (66b), a pair of side portions 68a (68b) and 70a (70b), a floor portion 72a (72b), and an open top 74a (74b). The portions 64a and 66a of the male member
5 60 have a set of holes 80 co-operable with those on the portions 64b and 66b of the female member 62 to adjust the height of the arm 314.

The user inserts the male member 60 into the female member 62 such that at least one row of the holes 80a in the side wall of the male member 60 is aligned with an
10 opposite row of the holes 80b in the cooperating side wall of the female member 62. The user then fixes the male member 60 to the female member 62 by connector/locking means (not shown).

Similarly to the embodiments illustrated in FIGS. 1 and 2, the female member 62
15 includes one or more clips (spring clips, bolt-style clips, etc) for removably securing the book holder assembly to an object. The male member 60 includes attachment means for removable attachment of the book support platform 312.

Referring now to FIGS. 4 and 5 there is illustrated a book holder assembly 410
20 according to a third embodiment of the present invention. The book holder assembly 410 includes a book support platform 412 and a yet another alternative, adjustable arm 414 (or support structure). The arm 414 includes an adjustable clip 70 for clipping the book holder 410 to an object (not shown, e.g. a pole) and a connector means 72 for separable connection of an alternative lower support portion 73 of the arm 414 to the
25 alternative upper support portion 75. The position of the clip arms 74a and 74b of the clip 70 is adjustable to allow different sizes of poles to be accommodated. To this end, the position of the clip arms along the clip body 78 can be selectively fixed by a screw (not shown).

30 Similarly to the embodiments shown in FIGS. 1-3, the connection of the lower support portion 73 and the upper support portion 75 can be arranged as a telescoping arrangement in which telescopic members include sets of holes spaced apart along

their lengths and which can be fixed in overall length by a screw (not shown) extending through the upper support portion 75 and the lower support portion 73.

Illustrated in FIGS. 6-9 is a fourth embodiment of the present invention. The book holder assembly 610 includes a set of stackable open box shaped members (90, 92, and 94) similar to those shown and described with respect to FIG 3. The number of the open box shaped members is varied according to the requirements of the user. The open box shaped members are screwed together through pairs of corresponding holes (96a, 96b) and (96c, 96d) to form another adjustable arm 614 of a desired height.

It will be appreciated by those skilled in the art that whilst FIG. 6 illustrates an adjustable arm in the form of a stack, any other adjustable arm (including 3-dimensional structures) can be formed if so desired.

One of the open box shaped members is provided with clip means 100 for clipping the supporting structure 614 to an object. As illustrated in FIG. 7, the clip means 100 can include a set of clip arms 102 adapted for removable attachment to a surface of an open box-shaped member. Alternatively, the clip arms 102 can be attached to a clip body 104 to form a clip bracket 106, as shown in FIG 8, which is then attached to the adjustable arm 614.

The book holder assembly 610 also includes spring-biased clamping means 108, FIG 9, for removably securing a book and/or another item (eg, an activity board, a book support panel, etc) to the arm 614. The clamping means 108 are provided with connector means for removable attachment to a front surface 18 of the planar panel 16 or the arm 614 in a plurality of mounting positions 110a, 110b of FIG 6, 22a-d of FIG 1 and etc for FIGS 2 and 3. Preferably four clamping means are provided. The clamping means 108 can be released for engaging the book cover of the book.

FIGS. 10-17 provide further illustrations of book holder assemblies according to the present invention, with like parts being like numbered.

2003231638 11 Nov 2009

2003231638 11 Nov 2009

10

FIGs 11A-D illustrates a number of schematic perspective views of various book holder assemblies. FIG 11D features a book holder assembly 1110' with an electronic device 1146 which may be incorporated with the arm 14 and/or lower support portion 36. The electronic device 1146 may include a motor and/or remote control to move and control the arm 14 and the book platform 12 to any desired position by the user. It will be readily appreciated that the electronic device 1146 may also allow manual movement and adjustment of any part of the book holder assembly.

FIG 17 is a perspective view of a book holder assembly 1710 clipped to a stroller or other object 112. The stroller 112 provides the supporting frame member 1748 for the clip assembly 40, 42, 44 of the lower support portion 36 to attach / clip to. A computer / electronic board 114 is shown clamped by a clamping means 108 to the panel 16 of the book platform 12. It will be readily appreciated that the computer / electronic board 114 may be readily substituted by any number of other items, such as those described previously with respect to FIG 1. Similarly it will be readily appreciated that other objects 112 includes those mentioned earlier, for example: a pram, a bed, a chair, a picnic table, a car seat or a wheelchair.

The present invention also provides a book having connector means for removably securing said book to an object (eg, the book support panel 16, the adjustable arm 14 to a supporting frame member).

Also, such a book can provide in a combination with a book holder or as a separate item.

25

Use

Noon-start is made from plastic. It is used to hold a book, as a book holder assembly 10. Noon-start is a head start product, for kid's (children) early reading and writing, also noon-start is design to help those who are physically challenged.

30

Noon-start has self grabbing equipment 36, 40, 42, 44. It is colored gray, as you may see from the samples. It is shaped like U, with an extending teeth. The tooth front

2003231638 11 Nov 2009

42a, 42b flex up at a slight pressure and it open's to let in the structure 1748, in this case a structure 1748 from a baby strollers 112 (any pole structure attached in a baby's carriages) and that structure 1748 is held inside, further the entire U shape 40, 42a, 42b, 44 engulf the structure 1748 and belt it tight.

5

From the U shaped self-grabbing equipment 36, 40, 42, 44 there is an attached pole 14, the attached pole structure holds the flat plastic board 16, the pole 14 is use for adjustment of the book holder 10, the pole structure 14, 34, 36 can swing front, back, sides and even up for the best position of the user.

10

The book holder 10 is the top flat plastic board 12, 16 the flat head book holder has four grabbing instrument on the top and bottom grab hold instrument is shaped like an L for the demonstrations. The top book grabbing instrument is shaped like a block. How it work is, the book cover is slipped into the grabbing instrument and knob is tightened, there is a page holder on top of it.

15

The target users are young children, all head-start children, pre-day care kid, and early day cares, the product 10 would be excellent for our physically challenged population. Again anybody can use it, like the beach goers, all you need to do to use noon-start is push the grabbing instrument into your structure, be it chair, or stroller, back, front, car carriages etc.

20

Economic Importance

It is a stimulant to kid's attention and behaviours, the use of noon-start can captivate, because the kids will be with their loved symbols, famous characters like mickey mouse & bunny (bugs/Easter). As head start product kids have the advantage of moulding their reading and writing habit, and recognize symbols, colours, picture. The kids can perform these activities on strollers at the buses, trains or on carriages, bed, on the floor, etc.

25

30

2003231638 11 Nov 2009

It will be readily appreciated that the above in use disclosure of the book holder assembly 10 may be augmented by the description of the book holder assembly's 10 other applications described above with respect to FIGs 1 to 17.

- 5 The invention described and defined herein extends to all alternative combinations of two or more individual features described or evident from the text. All of these alternative combinations constitute various alternative aspects of the invention.

10 While particular embodiments of this invention have been described, it will be evident to those skilled in the art that the present invention may be embodied in other specific forms without departing from the essential characteristics thereof. The present embodiments and examples are therefore to be considered in all respects as illustrative and not restrictive, and all modifications which would be obvious to those skilled in the art are therefore intended to be embraced therein. It will further be understood that
15 any reference herein to known prior art does not, unless the contrary indication appears, constitute an admission that such prior art is commonly known by those skilled in the art to which the invention relates.

2003231638 11 Nov 2009

We claim:

1. A book holder assembly for removable attachment, the book holder assembly comprising:

a book platform comprising

a front surface, a rear surface and a plurality of clamps,
the front surface adapted for supporting a book or an item,
the plurality of clamps disposed on the front surface to engage and
retain the book or the item to the book platform,
the rear surface separated from the front surface;

an arm comprising:

an upper support portion, a telescoping arrangement and a lower
support portion;
wherein the upper support portion is pivotally attached to the book
platform, the telescoping arrangement interconnecting the upper
support platform to the lower support portion with the lower support
portion being spaced apart from the book platform; and
wherein the lower support portion includes a clip means of:
a clip body and a pair of resilient clip arms,
the clip arms adjustably mounted on the clip body;

wherein the book holder assembly is removably attached and adjusted to a reading
position by the telescoping arrangement axially adjusting the spaced relation between
the book platform and the lower support portion and the pivotal connection on the
book platform pivotally adjusting the front surface with respect to the arm.

2. A book holder assembly according to claim 1 wherein said telescoping
arrangement includes a first and second open box-shaped members, said first member
being slidably mounted in said second member, and locking means for positioning
said first member in said second member in one of several selectable positions and
wherein said clip means are mounted to said second member.

3. A book holder assembly according to any preceding claim wherein a first
element of said telescoping arrangement, said upper support portion and said book
platform are of unitary construction.

2003231638 11 Nov 2009

4. A book holder assembly according to any preceding claim wherein a second element of said telescoping arrangement, said lower support portion and said clip means are of unitary construction.
5. A book holder assembly according to any preceding claim further including each said clip arm being fixed to said clip body in one of several selectable positions along said clip body.
6. A book holder according to any preceding claim wherein said clip means includes a clip body having a set of mounting positions for mounting a clip arm, and a screw threaded into said clip body for selectively fixing the position of said clip arm along said clip body.
7. A book holder assembly according to any preceding claim wherein said clip means includes a spring clip.
8. A book holder assembly according to any preceding claim wherein said clip means includes at least one resilient clip arm.
9. A book holder assembly according to any preceding claim wherein said clip means is a bolt-type clip.
10. A book holder assembly according to any preceding claim wherein said clamps are adjustable.
11. A book holder assembly according to any preceding claim wherein said book support platform includes a set of mounting positions for mounting said clamps.
12. A book holder assembly according to any preceding claim wherein said book platform includes a portion adapted to be used as a writing board.

2003231638 11 Nov 2009

13. A book holder assembly according to any preceding claim wherein said book support platform includes a set of mounting positions for receiving and/or mounting an item.
14. A book holder assembly according to any preceding claim wherein said item includes any one of: a stimulant for learning, an activity board, a writing board, a drawing board, a whiteboard, a blackboard, an electronic board, audio/video equipment, a mobile or cell telephone, a camera, a computer, DPAs, a musical instrument, a toy, a puzzle, a board game and elements of said preceding items.
15. A book holder assembly according to any preceding claim wherein said clip means removably attaches said book holder assembly to a supporting frame member of an object.
16. A book holder assembly according to claim 15 wherein the object includes any one of: a pram, a stroller, a bed, a chair, a picnic table, a car seat or a wheelchair.
17. A book holder assembly according to any preceding claim wherein said book holder assembly is made in part at least of a material selected from the group consisting of plastic, wood or metal.
18. A book holder assembly according to any preceding claim wherein said arm or lower support portion includes an electronic device.
19. A book holder assembly according to claim 18 wherein said electronic device includes a motor or a remote control.
20. A book holder assembly according to claim 18 or 19 wherein said electronic device controls or moves one or more of said arm or said book platform.
21. A book holder assembly according to any one of claims 18 to 20 wherein said electronic device is further adapted for manual movement or adjustment of any part of the book holder assembly.

2003231638 11 Nov 2009

22. A method for learning as provided for by a book holder assembly according to any one of claims 1 to 21.
23. A method for learning according to claim 22 wherein learning includes learning skills of any one of reading, writing or recognition of symbols, colours, pictures or cartoon characters.
24. A method for learning according to claim 22 or 23 wherein the learning is provided for babies, pre-school children, school children or disabled individuals.
25. A method for learning according to any one of claims 22 to 24 wherein a stimulant for learning includes: an activity board, a writing board, a drawing board, a whiteboard, a blackboard, an electronic board, audio/video equipment, a mobile or cell telephone, a camera, a computer, DPAs, a musical instrument, a toy, a puzzle, a board game and elements of said preceding items
26. A book holder assembly substantially as described herein.
27. A method for learning as substantially described herein.

2003231638 11 Nov 2009

1/13

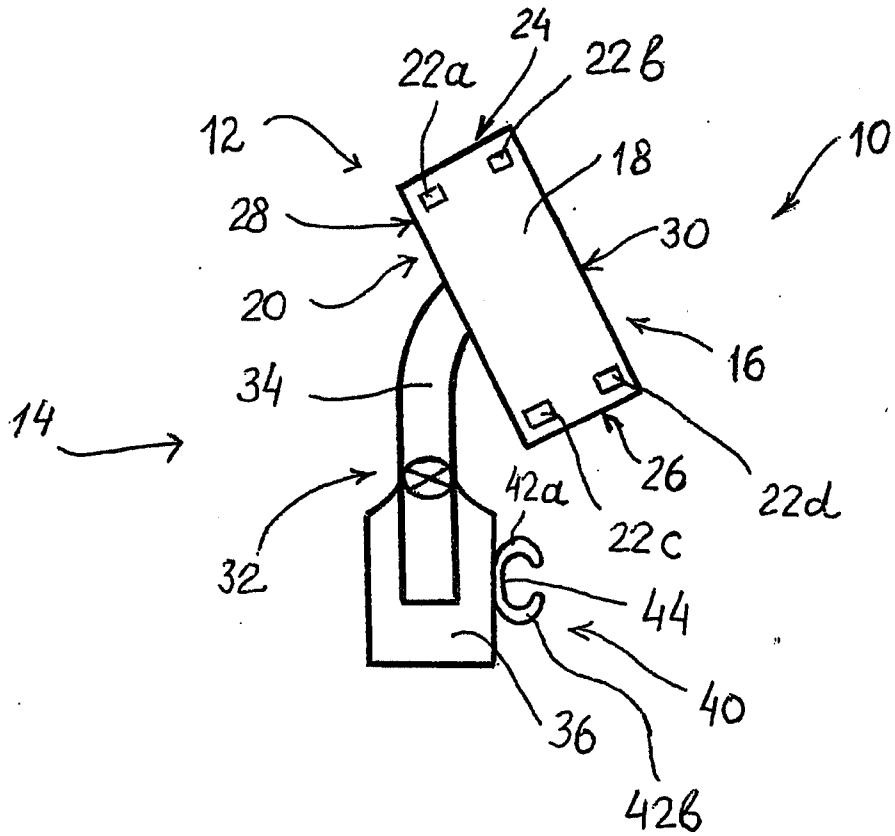


Fig. 1

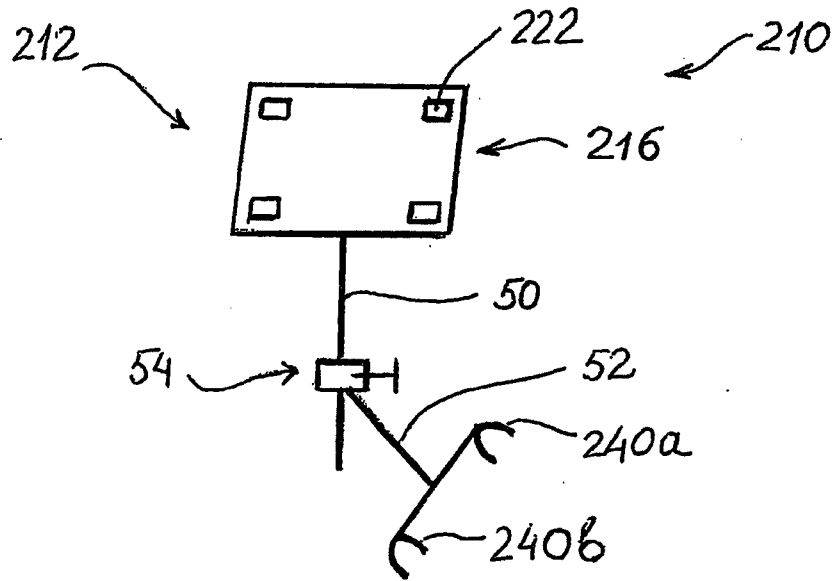


Fig. 2

2003231638 11 Nov 2009

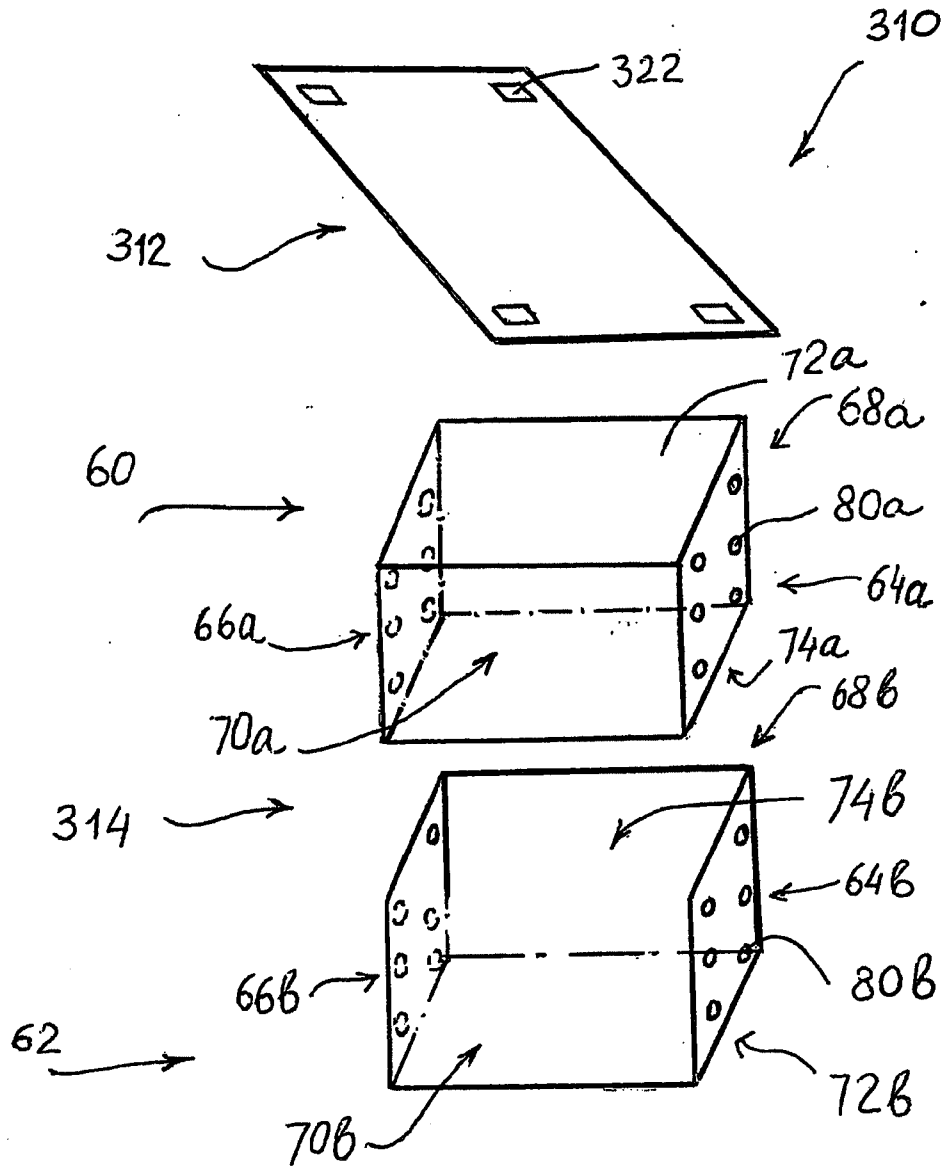
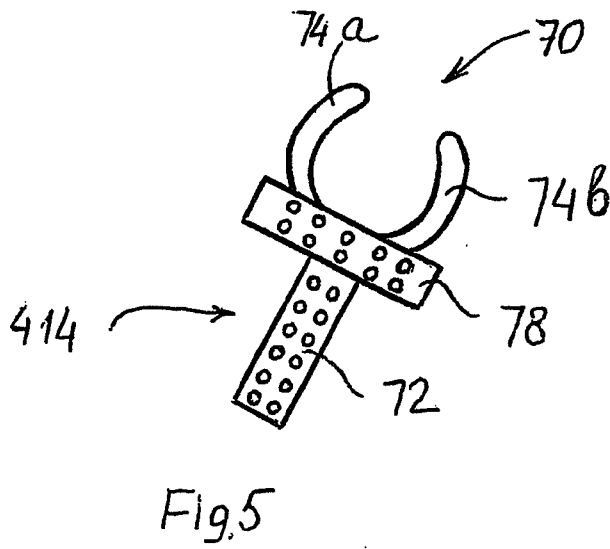
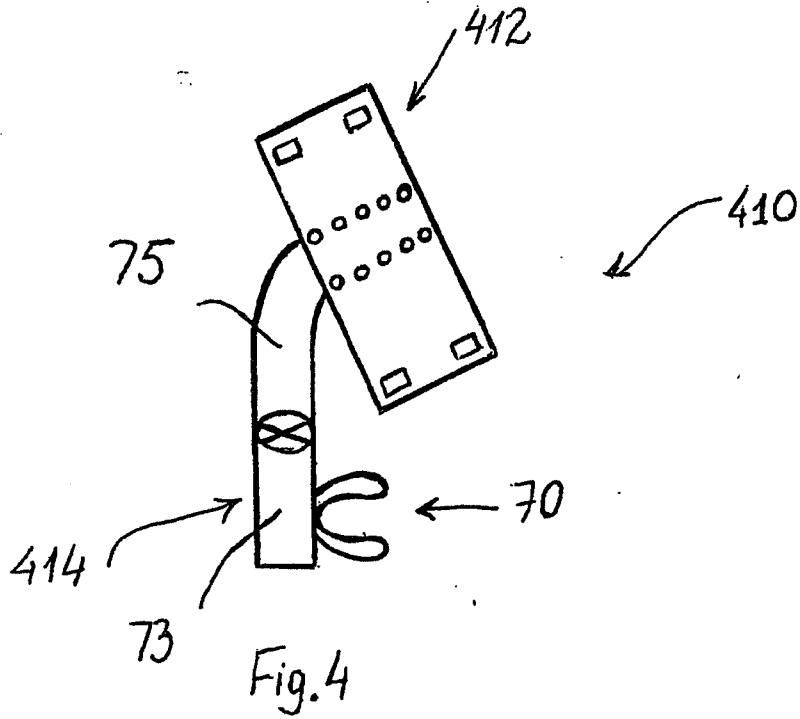


Fig. 3

2003231638 11 Nov 2009

3/13



2003231638 11 Nov 2009

4/13

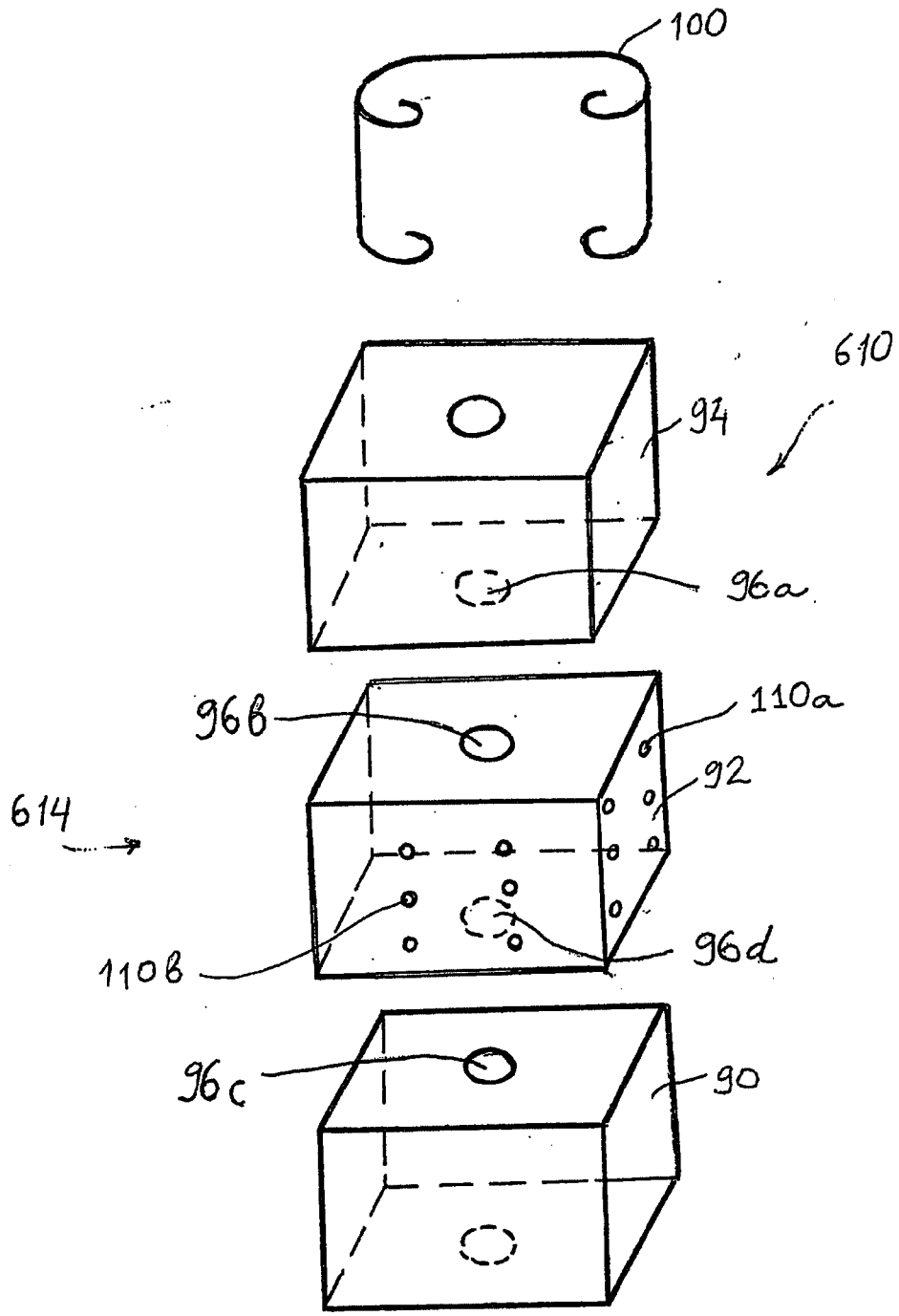


Fig. 6

2003231638 11 Nov 2009

5/13

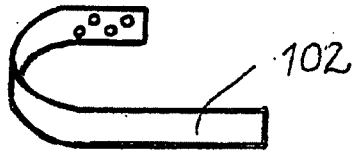


Fig. 7

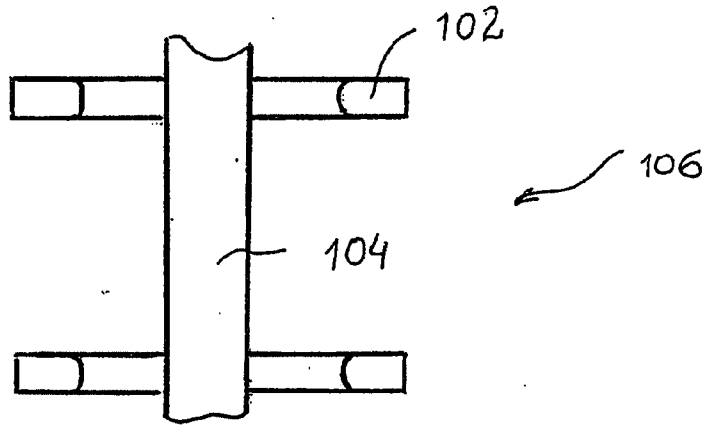


Fig. 8

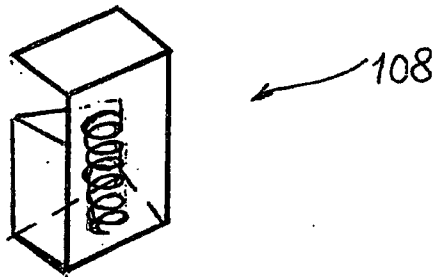


Fig. 9

6/13

2003231638 11 Nov 2009

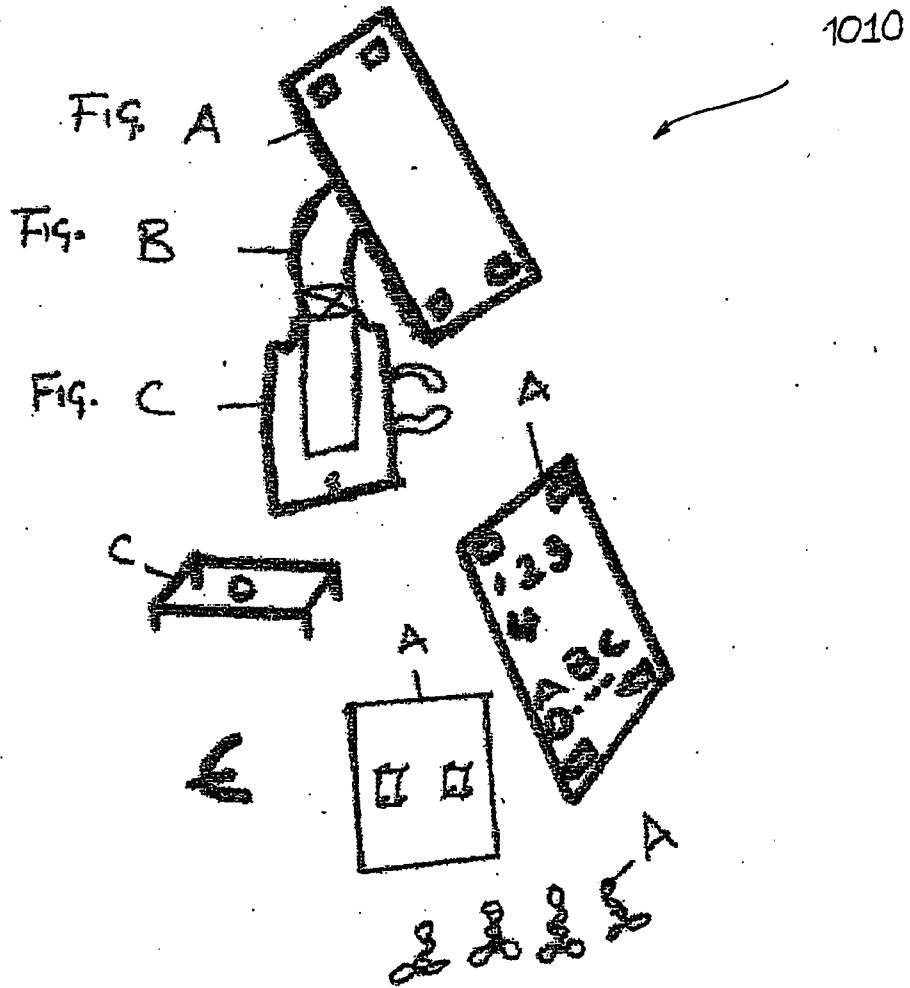


Fig. 10

2003231638 11 Nov 2009

7/13

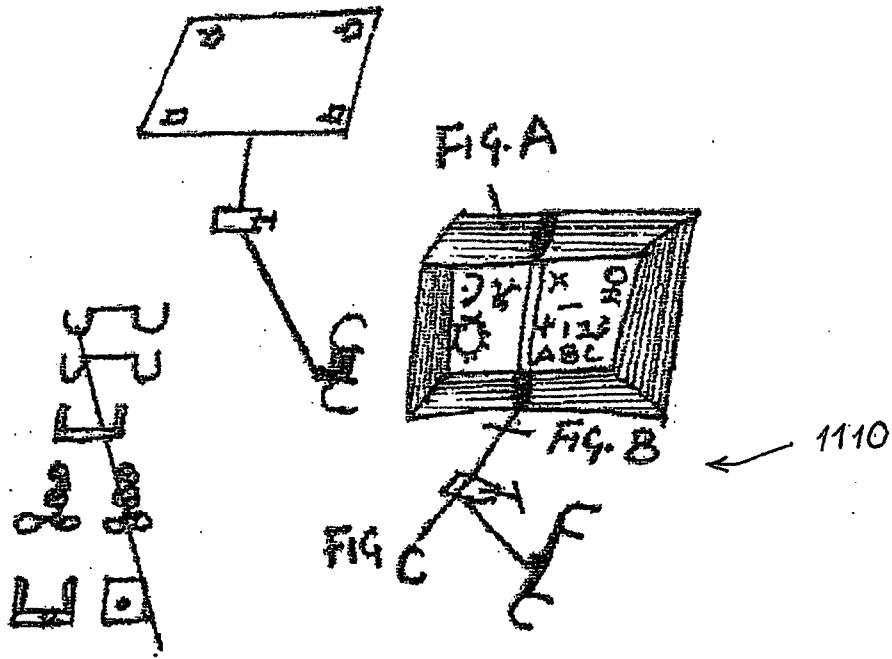
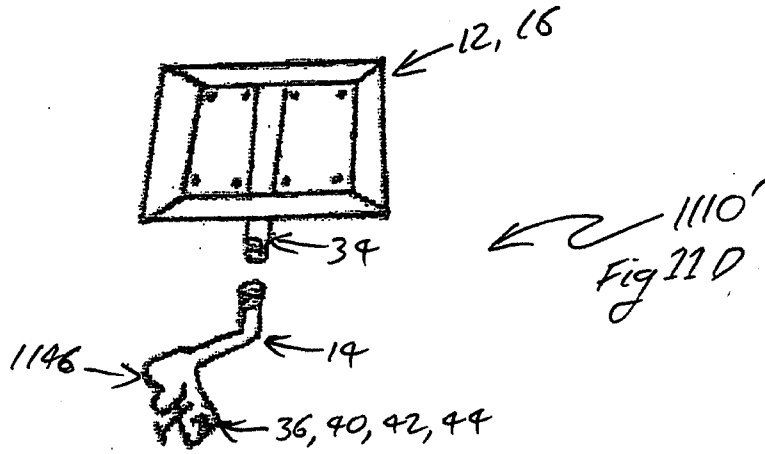


Fig. 11A-D

8/13

2003231638 11 Nov 2009

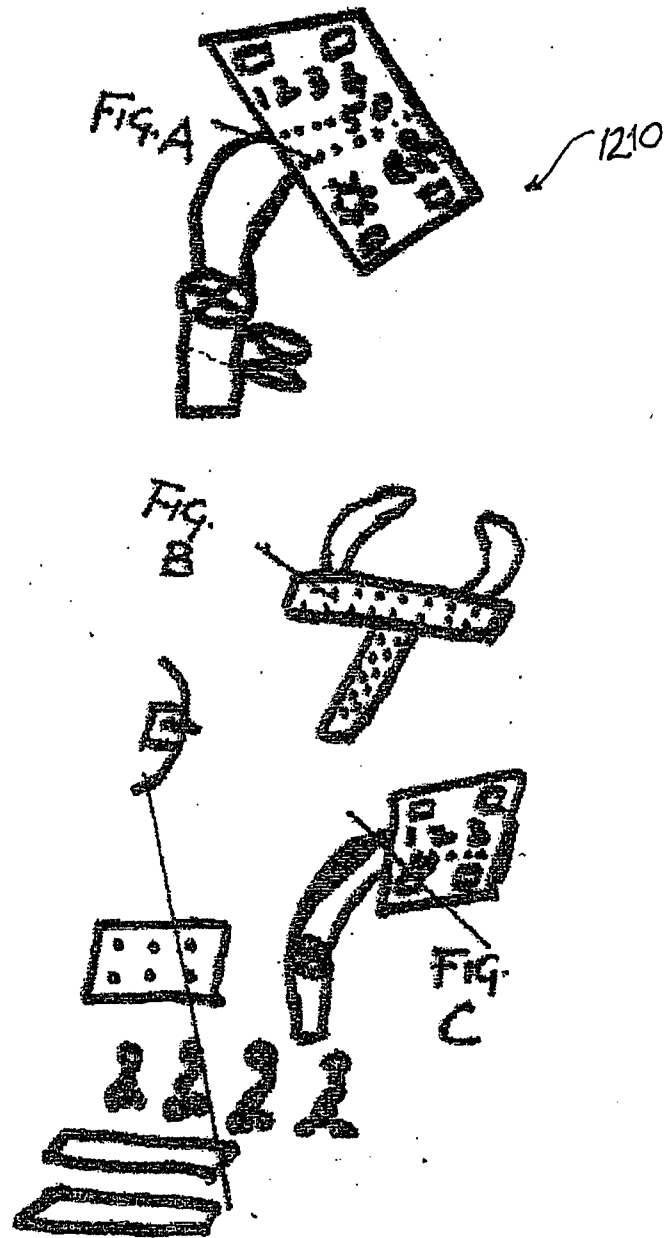


Fig. 12

9/13

2003231638 11 Nov 2009

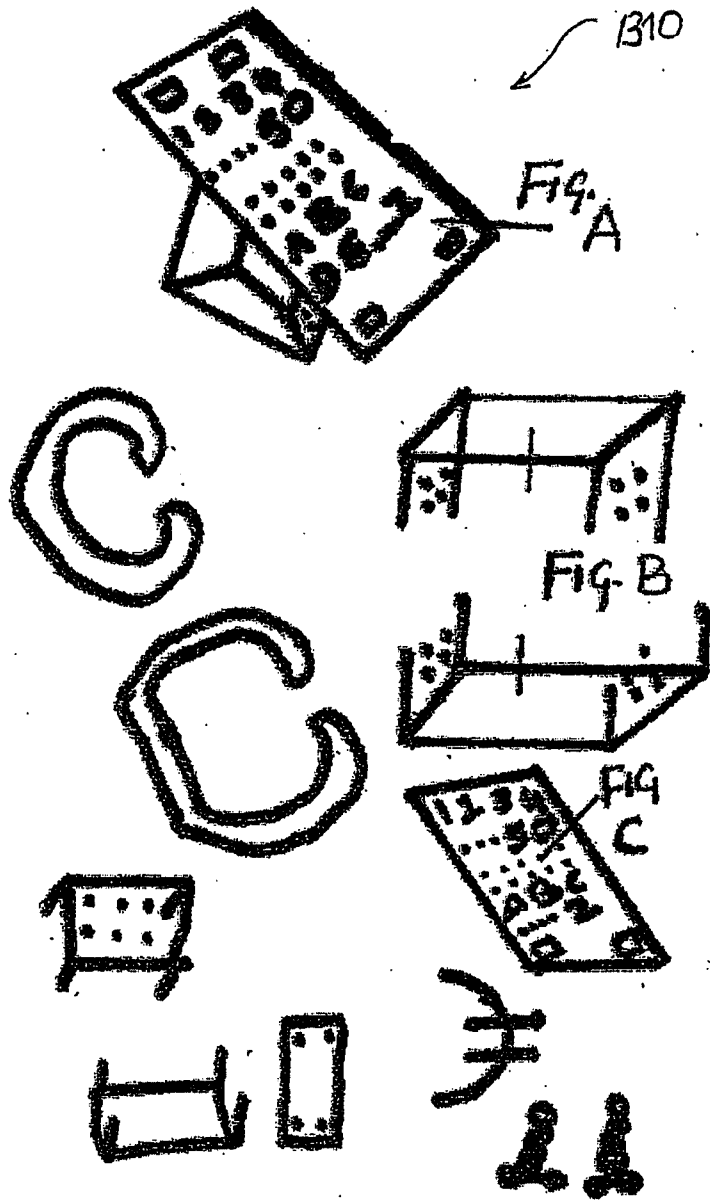


Fig. 13

2003231638 11 Nov 2009

10/13

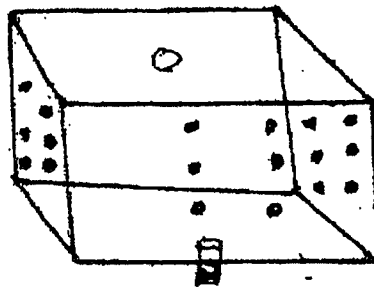
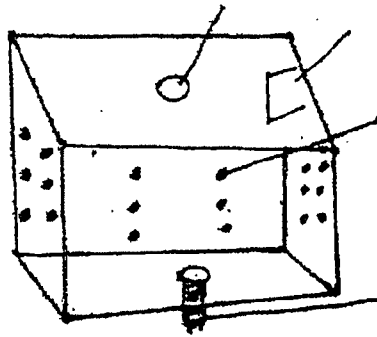
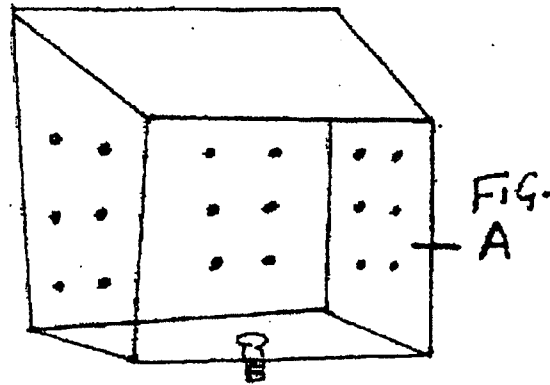


Fig. 14

11/13

2003231638 11 Nov 2009

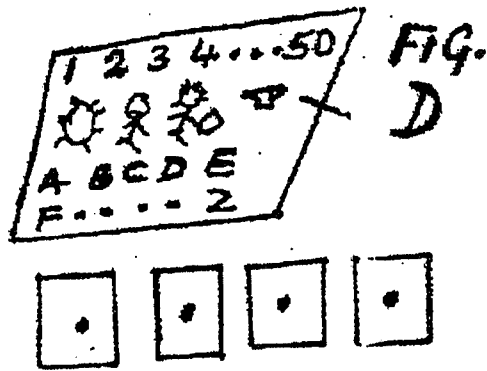
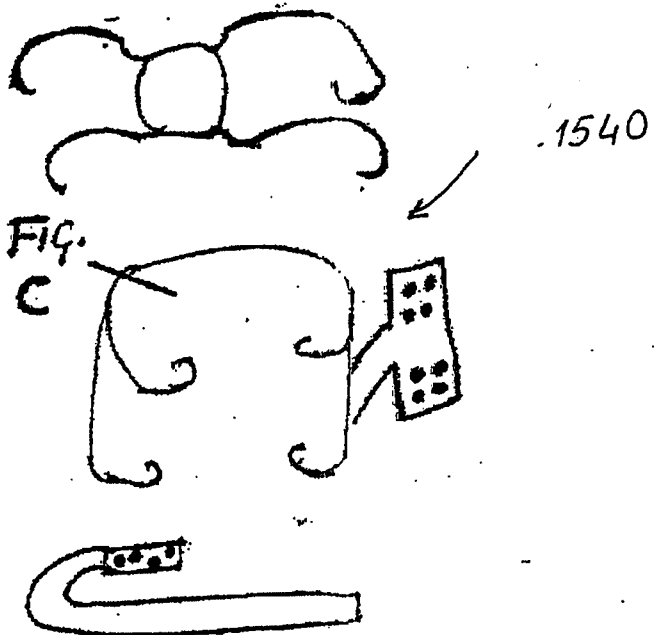
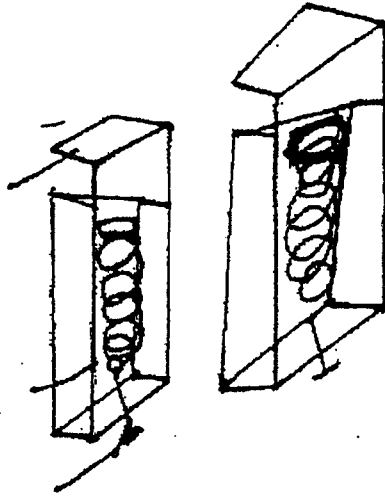


Fig. 15

12/13

2003231638 11 Nov 2009

FIG.
B



1622

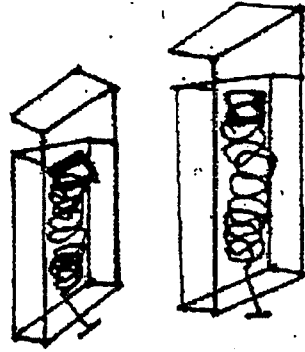


Fig. 16

2003231638 11 Nov 2009

13/13

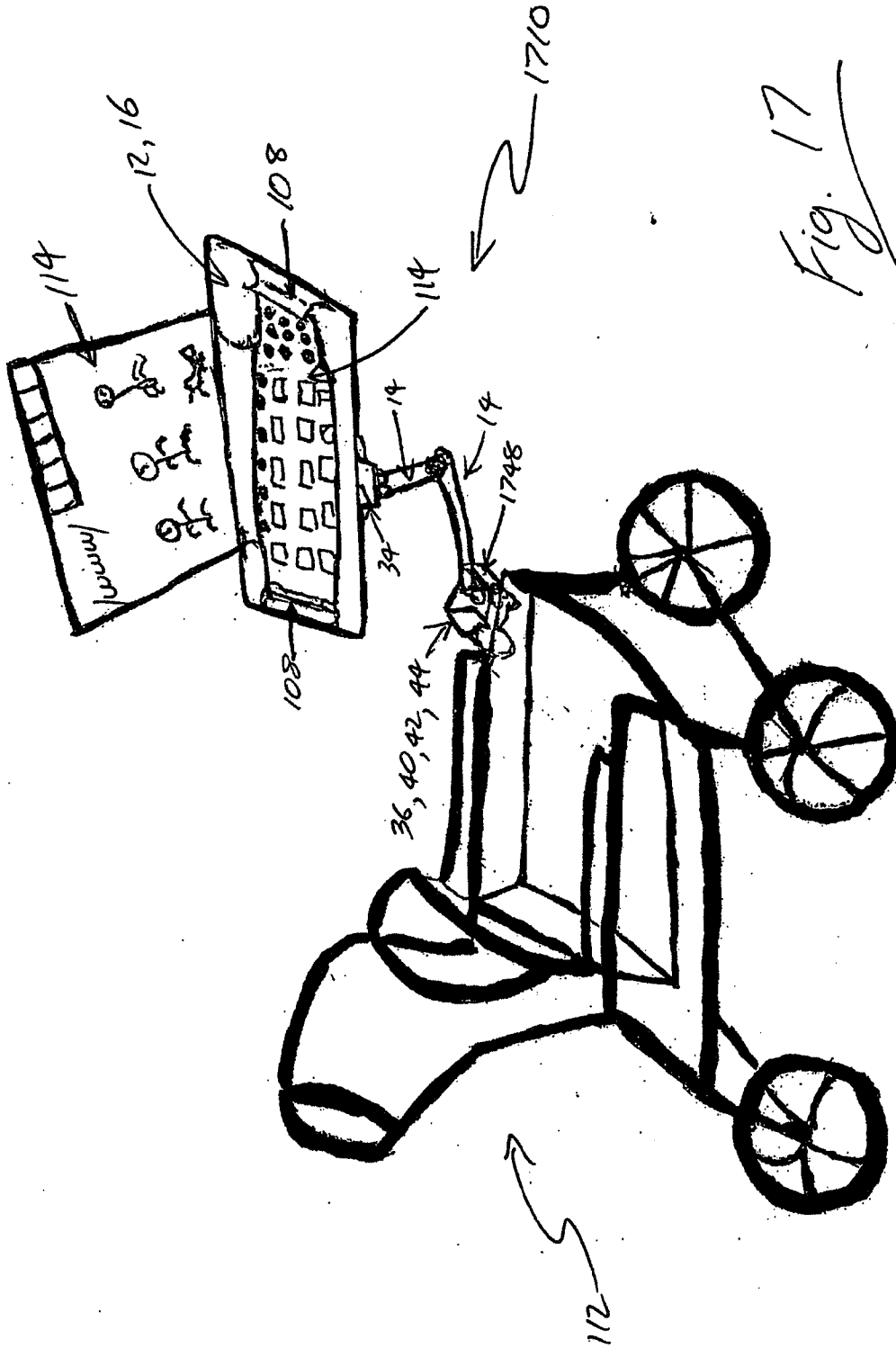


Fig. 17

KON WORYZ CORP
C/o Chikezie Ottah
1035 Clarkson Avenue, Suite 5A
Brooklyn New York 11212
718-581-4539
E-mail; eddyottah@yahoo.com

VERIFONE SYSTEM INC.
2099 Gateway Place
Suite 600
San Jose, CA 95110 USA

Re: Laptop/Computer/TV Holder (s) / Camera

Sirs,

I have seen your products been used in USA taxi cab. The product (s) made in one form with a metal platform, clips, adjustable structure, a stem and plurality of bolts and connectors holding it or attaching to the floor of the car, in other form it could be plastic material.

PATENT NUMBER: US 7,152,840

The structure mentioned above violate my patent right, we have taken the first step to approach you and offer you a good working relationship.

LICENSE, PERMIT, OR PURCHASE OF RIGHT

The license will release all legal blocks, and or barriers for your company to continue providing the services of computer (s) and or laptop (s) holder to your clients.

CONFIDENTIALITY

With the license, we will not seek any isolation of the product (s) or your company by advising your clients of our patent right or ownership violation, we will not seek any redress in the court, no further action involving US customs, or police. With the license, VeriFone will become our partner or client, we will agree to keep all your information, activities confidential, and we will not contact or deal with, call or otherwise be involved with any of your clients.

Attach is a copy of my patent, and inside view of the cab with TV on the car sit of the cab.

Sincerely
Chikezie Ottah, ceo

Number 08, PAGE 1 OF 7



2099 Gateway Place
Suite 600
San Jose, CA 95110
Phone: (408) 232-7800 Fax: (408) 232-7841

January 5, 2011

Mr. Chikezie Ottah, CEO
KON WORYZ CORP
1035 Clarkson Avenue, Suite 5A
Brooklyn, New York 11212

Re: Letter Regarding Patent No. US 7,152,840

Dear Mr. Ottah:

Thank you for your letter regarding Patent No. US 7,152,840 ('840).

VeriFone respects the intellectual property rights of other third parties. We have carefully reviewed Patent '840. Patent '840 is focused on a book holder, as described in the abstract:

*"A **book holder** removably attachable to a vehicle or structure such as a stroller, walker, wheelchair or car seat for mobile applications. The book holder for holding a book or drawing surface in a usable position thereon for by the occupant of the vehicle. The book holder comprising an adjustable clasp on the vehicle, an arm extending to a book platform, the arm providing rotational pivotal and axial adjustment to hold the platform in spaced relation to the clasp. A plurality of spring biased clamps on the platform to secure the book to the book holder."*

Claim 1 clearly focuses on a book holder and describes in detail its structure. Claim 1 states as follows:

1. *A **book holder** for removable attachment, the book holder comprising:*

a book support platform, the book support platform comprising a front surface, a rear surface and a plurality of clamps, the front surface adapted for supporting a book, the plurality of clamps disposed on the front surface to engage and retain the book to the book support platform, the rear surface separated from the front surface;

a clasp comprising a clip head, a clip body and a pair of resilient clip arms, the clip arms adjustably mounted on the clip head, the clip head attached to the clip body; and

NUMB3R08. PAGE 2 OF 7



2099 Gateway Place
Suite 600
San Jose, CA 95110
Phone: (408) 232-7800 Fax: (408) 232-7841

an arm comprising a first end and a second end and a telescoping arrangement, the clasp on the first end, the second end pivotally attached to the book support platform, the telescoping arrangement interconnecting the first end to the second end, the clasp spaced from the book support platform wherein the book holder is removably attached and adjusted to a reading position by the telescoping arrangement axially adjusting the spaced relation between the book support platform and the clasp and the pivotal connection on the book support platform pivotally adjusting the front surface with respect to the arm.

In order for us and our outside IP counsel to properly evaluate your claim, we request that you identify the specific model and SKU# of the VeriFone products that you contend the above patent covers. For each such named VeriFone product, we further request a claim chart or similar clear and cogent explanation detailing how each element in claim 1 of the '840 patent is actually infringed by what aspect or function of such named product.

I thank you in advance for providing the requested information.

Sincerely,

A handwritten signature in black ink, appearing to read "AL L".

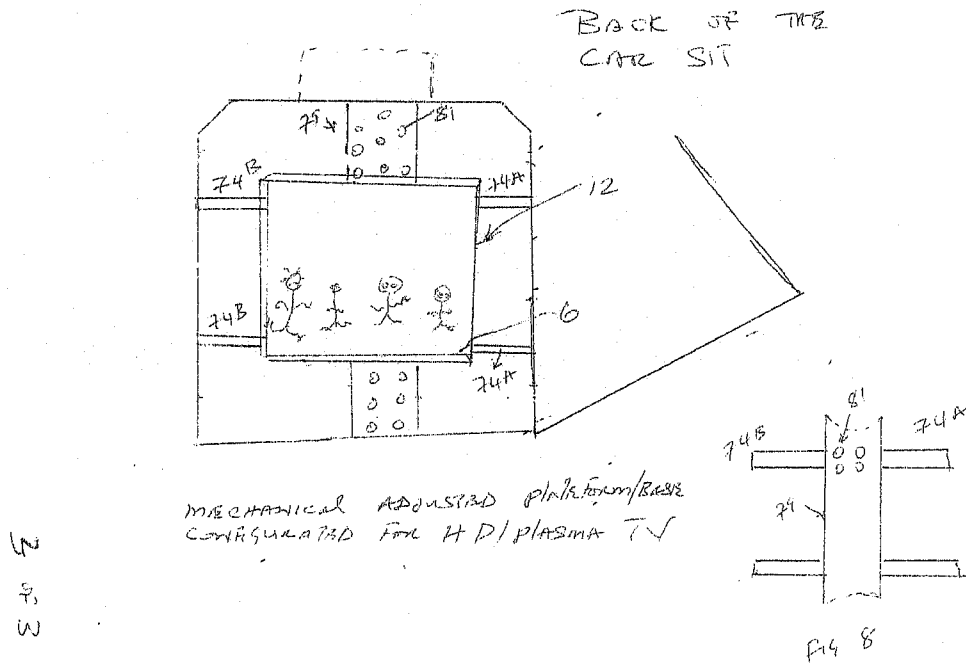
Albert Liu
Senior Vice President & General
Counsel
VeriFone, Inc.

NUMBER 08, PAGE 3 OF 7

*** FAX ACTIVITY REPORT TX/RX ***

ST. TIME	DESTINATION ADDRESS	NO.	MODE	PGS.	RESULT
*02/24 16:59	18773805034	1007	TX	ECM	3 OK 00' 48
*02/24 17:37	UNKNOWN	8456	TRANSFER RX		2 OK 01' 12
*02/24 17:39	UNKNOWN	8457	TRANSFER RX		2 OK 01' 12
*02/25 05:15	2129220630	8458	TRANSFER RX	ECM	3 OK 00' 47
*02/25 08:22	UNKNOWN	8459	TRANSFER RX	ECM	1 OK 00' 25
*02/25 08:34	6314257638	8460	TRANSFER RX	ECM	2 OK 00' 46
*02/25 12:46	2129220630	8461	TRANSFER RX	ECM	2 OK 00' 45
*02/26 07:23	2129220630	8462	TRANSFER RX	ECM	3 OK 00' 56
*02/28 08:44	UNKNOWN	8463	TRANSFER RX	ECM	2 OK 00' 30
*02/28 09:36	12016795303	8464	TRANSFER RX	ECM	1 OK 00' 38
*02/28 09:59	3475787301	8465	TRANSFER RX	ECM	2 OK 00' 20
*02/28 10:02	3475787301	8466	TRANSFER RX	ECM	2 OK 00' 46
*02/28 10:55	UNKNOWN	8467	TRANSFER RX	ECM	1 OK 00' 29
*02/28 11:43	UNKNOWN	8468	TRANSFER RX	ECM	1 OK 00' 25
*03/01 07:39	UNKNOWN	8469	TRANSFER RX		3 NG 02' 32
*03/01 07:42	UNKNOWN	8470	TRANSFER RX		2 OK 03' 14
*03/01 09:16	UNKNOWN	8471	TRANSFER RX	ECM	1 OK 00' 20
*03/01 12:13	UNKNOWN	8472	TRANSFER RX	ECM	1 OK 00' 25
*03/01 12:31	UNKNOWN	8473	TRANSFER RX	ECM	1 OK 00' 29
*03/01 15:34	UNKNOWN	8474	TRANSFER RX	ECM	1 OK 00' 20
*03/02 08:33	UNKNOWN	8475	TRANSFER RX	ECM	7 OK 02' 38
*03/02 09:37	312 321 9104	8476	TRANSFER RX	ECM	1 OK 00' 24
*03/02 10:47	UNKNOWN	8477	TRANSFER RX	ECM	1 OK 00' 29
*03/02 11:57	UNKNOWN	8478	TRANSFER RX	ECM	1 OK 00' 31
*03/02 11:58	UNKNOWN	8479	TRANSFER RX	ECM	1 OK 00' 20
*03/02 11:58	UNKNOWN	8480	TRANSFER RX	ECM	1 OK 00' 21
03/02 16:07	UNKNOWN	8481	TRANSFER RX	ECM	2 OK 00' 22
03/02 16:43	UNKNOWN	8482	TRANSFER RX	ECM	1 OK 00' 18
03/02 16:46	UNKNOWN	8483	TRANSFER RX	ECM	2 OK 00' 25
03/02 17:11	312 321 9104	8484	TRANSFER RX	ECM	1 OK 00' 23
03/03 13:30	4507440400	8485	TRANSFER RX	ECM	1 OK 00' 23
03/03 16:10	UNKNOWN	8486	TRANSFER RX	ECM	1 OK 00' 29
03/04 07:42	212 752 0035	8487	TRANSFER RX	ECM	5 OK 00' 42
03/04 09:29	6	8488	TRANSFER RX	ECM	2 OK 00' 26
03/04 11:32	2129220630	8489	TRANSFER RX	ECM	1 OK 00' 39
03/04 13:57	2129220630	8490	TRANSFER RX	ECM	2 OK 00' 43
03/04 14:02	UNKNOWN	8491	TRANSFER RX	ECM	2 OK 01' 05
03/04 14:05	UNKNOWN	8492	TRANSFER RX	ECM	4 OK 00' 45
03/04 15:59	→ 14082327841	1119	TX	ECM	5 OK 02' 32
03/04 16:02	16307352390	1120	TX	ECM	1 OK 01' 08

Number 08, page 4 of 7



TO: Albert Liu
FR: Chikezie Ottah
03-03-11

Sir
This is a follow up from the fax yesterday, this very page was not faxed, it is the drawing part of the presentation.

Please, you can reach me by phone 718 581 4539, or e-mail, eddyottah@yahoo.com

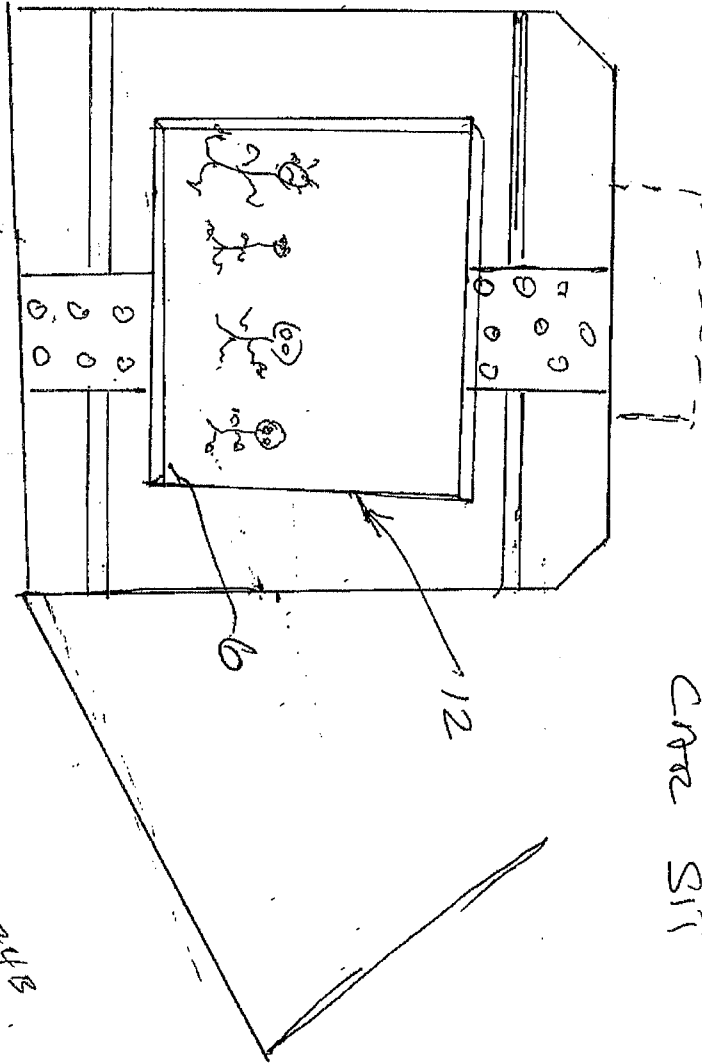
Sincerely
Chikezie Ottah

NUMBERS, PAGE 5 OF 7

NUMBER 8, PAGE

PAGE 6 OF 7

MECHANICAL ADJUSTED PLATFORM/BASE
CONFIGURATED FOR HD/PLASMA TV



BACK OF THE
CNR SIT

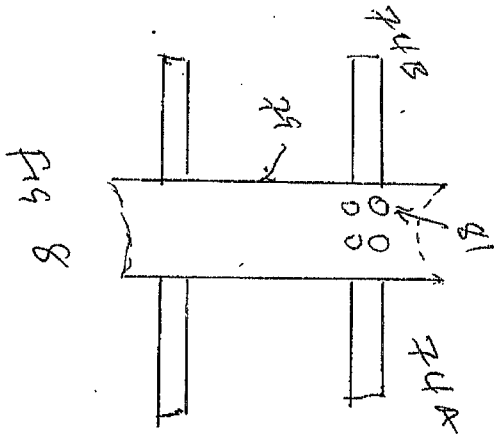


FIG 8

Chikezie Ottah
c/o Kon Woryz Corp
1035 Clarkson Avenue, Suite 5A
Brooklyn, New York 11212
USA

VERIFONE, INC
Albert Liu
Senior Vice President and General Counsel

Dear Mr Liu

Thanks for the letter dated January 5th 2011, the product (s) that patent US 7,152,840 cover is the mobile flat screen , or HD, plasma TV, and camera holder (s) seen in metropolitan taxi services, I have presented some details of the claims of US 7,152, 840 in pages 1 to 3 and a drawing and a picture of the said product (s) for you also.

Sincerely
Chikezie Ottah

NUMBER 08, PAGE 7 OF 7

UNITED STATES DISTRICT COURT FOR THE
SOUTHERN DISTRICT OF NEW YORK

CHIKEZIE OTTAH

Case No, 1:11-cv 06187-RMB

Plaintiff

Judge Richard M. Berman
11/07/11

V

VERIFONE SYSTEMS, INC.

Defendant

Issues Raise On Defendant Answer

The defendant contend that "Verifone is without knowledge or information sufficient to form a belief as to the truth of the allegations in paragraph 1 of the complaint about plaintiff and therefore denies them" but referring to the complain document filed on the 2nd of September 2011, number 8, page 2 of 7, and it said "VeriFone respects the intellectual property right of other third parties. We have carefully review patent 840. patent 840 is focused on a book holder, as described in the abstract:" VeriFone recognized the abstract as a fact. Am also referring to the complain document, Number 5, pages 1 to 3 showed a flat HD TV on a car seat. Claim 16, AU 2003231638.

"A book holder removably attachable to a vehicle or structure such as a stroller, walker, wheelchair or car seat for mobile applications. The book holder for holding a book or drawing surface in a usable position thereon for by the occupant of the vehicle. The book holder comprising an adjustable clasp on the vehicle, an arm extending to a book platform, the arm providing rotational pivotal and axial adjustment to hold the platform, to hold the platform in spaced relation to the clasp. A plurality of spring biased clamps on the platform to secure the book to the book holder"

2 "VeriFone admits that an allegation of patent infringement of a US patent would be a basis for subject matter jurisdiction in this case but that subject matter jurisdiction is lacking because plaintiff does not own all substantial rights in the alleged patent." I have attached a letter from the named inventors to that effect, number 10, and page 1 of 1.

VeriFone denies that an allegation of infringement of an Australian patent is a basis for subject matter jurisdiction in this case. Thanks. However, "VeriFone denies that personal jurisdiction and venue are proper in this case." There is a relative answer to question of personal and venue in the complain document, number 07, international patent classification(s) b42d 17/00 (2006.01), A47B23/00(2006.01), B42D 9/00 (2006.01) and I have attached a letter from the named inventors to that effect, number 10, and page 1 of 1. "VeriFone denies the allegation in paragraph 111 of the complain document" number 05, pages 1 to 3 of the complain document explain the allegation on paragraph 111, and put VeriFone education, or information product in NYC taxi and limo car seat, with 2 billion dollars contract.

Therefore in paragraph iv, I plead with the court, that the infringement has cost me and my named inventors capitals, many big urban and metropolitan centers have awarded multi billion dollar contracts to VeriFone system, inc. and her affiliate to design and equip their cities taxi and government fleets with the new and improved audio / video, cash or credit card machines, other smart HD TV that combine Computer, electronics note books for reading, writing, e-mail, face book and twitter capability, playing and entertainments.

For example, this new and improved audio/video (HD TV 720P) have capabilities of a computer, or note book, a mobile HD TV can browse, yahoo, Google, other on line companies, twit, e-mail, face book, entertainment like, Wii, Sony Play Station, share pictures via skype, my partners and myself are demanding \$71 million in patent infringement.

AFFIRMATIVE

1. With the above information, the bases for establishing patent infringement and claim
2. has be established, I have pleaded a valid cause of action base on facts, fed. R of civ.p. 8 (a)(2). Twombly and Igbal.
3. "the 840 patent is invalid under 35 USC, 101, 102, 103 and 112" the attach document explain 35 USC

A person shall be entitled to a patent unless

(a) the invention was known or used by others in this country, or patented or described in a printed publication in this or a foreign country, before the invention thereof by the applicant for patent, or

(b) the invention was patented or described in a printed publication in this or a foreign country or in public use or on sale in this country, more than one year prior to the date of the application for patent in the United States, or

(c) he has abandoned the invention, or

d) the invention was first patented or caused to be patented, or was the subject of an inventor's certificate, by the applicant or his legal representatives or assigns in a foreign country prior to the date of the application for patent in this country on an application for patent or inventor's certificate filed more than twelve months before the filing of the application in the United States, or

(e) the invention was described in - (1) an application for patent, published under **section 122(b)**, by another filed in the United States before the invention by the applicant for patent or (2) a patent granted on an application for patent by another filed in the United States before the invention by the applicant for patent, except that an international application filed under the treaty defined in **section 351(a)** shall have the effects for the purposes of this subsection of an application filed in the United States only if the international application designated the United States and was published under **Article 21(2)** of such treaty in the English language; or

(f) he did not himself invent the subject matter sought to be patented, or

(g)(1) during the course of an interference conducted under **section 135** or **section 291**, another inventor involved therein establishes, to the extent permitted in **section 104**, that before such person's invention thereof the invention was made by such other inventor and not abandoned, suppressed, or concealed, or (2) before such person's invention thereof, the invention was made in this country by another inventor who had not abandoned, suppressed, or concealed it. In determining priority of invention under this subsection, there shall be considered not only the respective dates of conception and reduction to practice of the invention, but also the reasonable diligence of one who was first to conceive and last to reduce to practice, from a time prior to conception by the other.

(Amended July 28, 1972, Public Law 92-358, sec. 2, 86 Stat. 501; Nov. 14, 1975, Public Law 94-131, sec. 5, 89 Stat. 691.)

(Subsection (e) amended Nov. 29, 1999, Public Law 106-113, sec. 1000(a)(9), 113 Stat. 1501A-565 (S. 1948 sec. 4505).)

(Subsection (g) amended Nov. 29, 1999, Public Law 106-113, sec. 1000(a)(9), 113 Stat. 1501A-590 (S. 1948 sec. 4806).)

Further to the above information of patentability this is the references cited by the primary examiner. Does any of the prior art or publication belong to VeriFone?.

377,230 A. 5/1921 Taylor 248/454
2,439,950 A. 4/1948 Rogers 248/447
2,627,694 A. 2/1953 saecker 248/447
3,351,312 A. 11/1967 Ballas 248/448
3,408,032 A 10/1968 Francis 248/450
3,497,882 A 3/1970 Weeks 482/148
4,021,013 A. 5/1977 Wierama 248/453
4,431,156 A. 2/1984 Mena 248/445
4553,728 A 11/1985 Corsello 248/452
4,591,124 A5/1986 Hellbrand et al 248/447.2

Please see the complaint document, number 06, front page, named reference cited.

4TH Avenue, Number 6, Trans Ekulu GRA
Enugu, Enugu State, Nigeria

1035 Clarkson Avenue, Suite 5A, Brooklyn
New York, 11212
718 581 4539

TO WHOM IT MAY CONCERN

PATENT NUMBER: US 7,152,840
PATENT NUMBER: AU 2003231638

SIRS

We the under signed own this patent, and have decided to have Mr. Chikezie Ottah represent us on the issue of the integrity and honesty of our patents.

Further, we have ask Mr. Chikezie Ottah to assume the sole responsibility to negotiate licensing, permit or purchase of right in the above patents.

NAMES	DATE
Chikezie Ottah	11/04/11
Kenneth Ottah	11/06/11
Chineye Ottah	11/06/11
Chika Ottah	11/06/11

SIGNATURE

Ottah
Kenneth Ottah
Chineye Ottah
CHIKE OTTAH

UNITED STATES DISTRICT COURT
SOUTHERN DISTRICT OF NEW YORK
500 PEARL STREET, RM 230, NY, NY 10007

CHIKEZIE OTTAH

PLAINTIFF

**Case # 1:11-cv-06187-RMB
[Judge Richard M, Berman]**

11/07/11

V

VERIFONE SYSTEM, INC

DEFENDANT.

PREMINARY DOUCMENT

BELOW YOU WILL FIND ATTACHED DOCUMENTS IN SUPPORT OF MY CLAIMS

- | | |
|--|----------------|
| 01. COMPLAINT DOUCMENT | 4 PAGES |
| 02. WAIVER OF SERVICE OF SUMMONS | 1 PAGE |
| 03. NOTICE OF LAWSUIT AND REQUEST FOR WAIVER OF SERVICE OF SUMMONS | |
| 04. A RETURN ENVELOP | |
| 05. VERIFONE MOBILE AUDIO/VIDEO, TV HOLDER, | 3 PAGES |
| 06. A COPY OF PATENT # US 7,152,840 | |
| 07. A COPY OF PATENT # AU 2003231638 | |
| 08. LETTER(S) INFORMING VERIFONE OF MY PATENT INFRINGEMENT & REPLY | |
| 09. REPLY TO SOME ISSUES RIASED IN VERIFONE ANSWER TO COMPLAIN DOCUMENT | 4 PAGES |
| 10. LETTER FROM PATENT OWNERS | 1 PAGE |
| 11. AFFIRMATION OF SERVICE | 1 PAGE |

UNITED STATES DISTRICT COURT
SOUTHERN DISTRICT OF NEW YORK

CHIKWEDIE OTTAH

(In the space above enter the full name(s) of the plaintiff(s)/petitioner(s).)

1:11 Civ. 06187(R) (MR)

- against -

VERIFONE SYSTEMS, INC

AFFIRMATION OF SERVICE

(In the space above enter the full name(s) of the defendant(s)/respondent(s).)

I, CHIKWEDIE OTTAH,
(name)

declare under penalty of perjury that I have

served a copy of the attached AMENDED COMPLAINT DOCUMENT
c/o COSMIN MARIEN (document you are serving)

upon WILMERE, CUTLER, DORA whose address is 399 Park
(name of person served)

AVENUE, MANHATTAN, N.Y. - N.Y. 10022
(where you served document)

by U.S. POSTAL SERVICE
(how you served document: For example - personal delivery, mail, overnight express, etc.)

Dated: N.Y. Brooklyn NY
(town/city) (state)

NOV. 15, 2011
(month) (day) (year)

Chikwedie Otta

Signature

1035 Clarkson Avenue
Address

Brooklyn, N.Y.
City, State

11212
Zip Code

718 581 4535
Telephone Number